



## Workshop Manual

Eos 2006 > , GTI 2009 > , Golf 2009 > ,  
Golf Plus 2009 > , Golf Variant 2010 > ,  
Jetta 2005 > , New Beetle 1999 > ,  
New Beetle Cabrio 2003 > ,  
Passat 2006 > , Passat CC 2009 > ,  
Passat Variant 2006 > , Phaeton 2003 > ,  
Polo 2010 > , Scirocco 2009 > ,  
Sharan 2011 > , Tiguan 2008 > ,  
Touareg 2010 > , Touran 2003 >

### Wheels and Tyres Guide - Standard

Edition 06.2010



## List of Workshop Manual Repair Groups

### Repair Group

44 - Wheels, tyres, vehicle geometry



Technical information should always be available to the foremen and mechanics, because their careful and constant adherence to the instructions is essential to ensure vehicle road-worthiness and safety. In addition, the normal basic safety precautions for working on motor vehicles must, as a matter of course, be observed.

**All rights reserved.**  
No reproduction without prior agreement from publisher.



## Contents

<b>44 - Wheels, tyres, vehicle geometry</b> .....	<b>1</b>
<b>1 General notes on wheels and tyres (passenger cars)</b> .....	<b>1</b>
<b>2 Legislative and technical conditions for converting wheel and tyre combinations</b> .....	<b>3</b>
2.1 Legislative conditions for converting wheel and tyre combinations .....	3
2.2 Technical conditions for converting wheel and tyre combinations .....	3
2.3 Additional wheel housing extensions (flaps) .....	4
2.4 „Series 80“ tyres .....	4
<b>3 Documents and codes/designations</b> .....	<b>5</b>
3.1 New vehicle registration documents since 01.10.2005 .....	5
3.2 COC document (EEC Certificate of Conformity) .....	6
3.3 EU general type approval number, sales type and sales or trade designation .....	6
<b>4 Useful information regarding tyres</b> .....	<b>8</b>
4.1 Identification markings on the tyre sidewall .....	8
4.2 Explanation of tyre markings .....	9
4.3 Speed ratings for tyres .....	10
4.4 Undulations .....	11
4.5 Tyre storage .....	12
4.6 Tyre ageing .....	12
4.7 Tyre sizes for vehicles with four-wheel drive .....	14
4.8 Winter tyres .....	14
4.9 Winter tyres with speed symbol „V“ .....	15
4.10 Extra Load (XL) V winter tyres .....	15
4.11 Maximum speeds for V and Extra Load (XL) winter tyres .....	16
4.12 Reinforced and Extra Load (XL) tyres .....	17
4.13 Snow chains .....	17
<b>5 Tyre wear/ mileage for passenger car tyres</b> .....	<b>19</b>
5.1 General .....	19
5.2 Requirements to be met by tyres .....	19
5.3 Wear behaviour of high-speed tyres .....	20
5.4 Factors influencing the service life of a tyre .....	20
5.5 Driving style .....	20
5.6 Tyre maintenance .....	21
5.7 Evenly worn tyres .....	22
5.8 Measuring tread depth .....	23
5.9 One-sided wear .....	23
5.10 Outer shoulder wear .....	26
5.11 Wear in middle of tyre .....	26
5.12 Diagonal washout .....	28
<b>6 Tyre noise</b> .....	<b>29</b>
6.1 General notes on tyre noise .....	29
6.2 Saw-tooth wear .....	29
6.3 Flat spots (from locking wheels) .....	30
<b>7 Rough running caused by wheels/tyres</b> .....	<b>32</b>
7.1 Causes of rough running .....	32
7.2 Balancing wheels .....	32
7.3 Conducting a road test before balancing wheels .....	32
7.4 Balancing wheels on stationary wheel balancing machine .....	33
7.5 Vibration control system VAS 6230 .....	35
7.6 Finish balancer .....	35
7.7 Radial and lateral runout of wheels and tyres .....	36
7.8 Checking radial and lateral runout on wheels and tyres with tyre gauge V.A.G 1435 .....	36
7.9 Checking radial and lateral runout on wheel rim .....	37



7.10	Matching	38
7.11	Flat spots caused by storage or handling	39
<b>8</b>	<b>Vehicle pulls to one side</b>	<b>41</b>
8.1	General	41
8.2	Conicity	41
8.3	Remedies when vehicle pulls to one side	42
8.4	Strategic rotation of wheels for non-directional tyres	43
8.5	Strategic rotation of wheels having unidirectional tyres	44
<b>9</b>	<b>Tyre damage</b>	<b>46</b>
9.1	General information	46
9.2	Construction of a radial belted tyre	47
9.3	Impact damage	47
9.4	Cuts	49
9.5	Damage caused by foreign bodies	49
9.6	Loss of air from tyre	49
9.7	Tyre pressure	49
9.8	Tyre damage due to insufficient tyre pressure	50
9.9	Rising tyre temperature caused by insufficient inflation pressure	51
9.10	Tyre damage due to fitting error (fitting damage)	52
<b>10</b>	<b>Tyres with run-flat properties</b>	<b>54</b>
10.1	General	54
10.2	Design and identification	55
10.3	Retrofitting/requirements when using run-flat tyres	55
10.4	Repairs	56
<b>11</b>	<b>Rolling resistance optimised tyres</b>	<b>57</b>
<b>12</b>	<b>Facts about disc-type wheels (passenger cars)</b>	<b>58</b>
12.1	Design of disc-type wheel	58
12.2	Data on wheel rims	58
12.3	Wheel rims - pitch circle diameter	59
12.4	Split rim composite wheels	59
12.5	Alloy wheels with exchangeable trim elements	59
12.6	Alloy wheels with exchangeable trim elements (Zaragoza)	60
12.7	Care and maintenance of alloy wheel rims	64
12.8	Restoring alloy wheels	64
12.9	The valve	66
<b>13</b>	<b>Fitting and removing wheels</b>	<b>67</b>
13.1	Rotating wheels	67
13.2	Instructions for changing or fitting wheels	67
13.3	Notes on use of temporary spare wheels	68
<b>14</b>	<b>Fox from model year 2006</b>	<b>70</b>
14.1	Fox, type 5Z model year 2006 to model year 2010	70
14.2	Wheel allocation for Fox, type 5Z model year 2006 to model year 2010	71
<b>15</b>	<b>Polo from model year 2010</b>	<b>77</b>
15.1	Polo, type 9R model year 2010 to model year 2011	77
15.2	Wheel allocation for Polo, type 6R model year 2010 to model year 2011	79
<b>16</b>	<b>Polo BlueMotion from model year 2010</b>	<b>82</b>
16.1	Polo BlueMotion, type 6R model year 2010 to model year 2011	82
16.2	Wheel allocation for Polo BlueMotion, type 6R model year 2010 to model year 2011	83
<b>17</b>	<b>CrossPolo from model year 2011</b>	<b>85</b>
17.1	CrossPolo, type 6R model year 2011	85
17.2	Wheel allocation for CrossPolo, type 6R model year 2011	87
<b>18</b>	<b>Polo GTI from model year 2011</b>	<b>91</b>
18.1	Polo GTI, type 6R model year 2011	91
18.2	Wheel allocation for Polo GTI, type 6R model year 2011	92



<b>19</b>	<b>Golf from model year 2009</b> .....	<b>95</b>
19.1	Golf, Golf 4Motion, sales type 5K model year 2009 to model year 2011 .....	95
19.2	Wheel allocation for Golf, Golf 4Motion, sales type 5K model year 2009 to model year 2011 .....	99
<b>20</b>	<b>Golf BlueMotion from model year 2009</b> .....	<b>116</b>
20.1	Golf BlueMotion, sales type 5K model year 2009 to model year 2011 .....	116
20.2	Wheel allocation for Golf BlueMotion, sales type 5K model year 2009 to model year 2011 .....	118
<b>21</b>	<b>Golf GTD from model year 2010</b> .....	<b>125</b>
21.1	Golf GTD, sales type 5K, model year 2010 to model year 2011 .....	125
21.2	Wheel allocation for Golf GTD, type 5K model year 2010 to model year 2011 .....	127
<b>22</b>	<b>Golf GTI from model year 2010</b> .....	<b>142</b>
22.1	Golf GTI, sales type 5K, model year 2010 to model year 2011 .....	142
22.2	Wheel allocation for Golf GTI, type 5K model year 2010 to model year 2011 .....	143
<b>23</b>	<b>Golf R from model year 2010</b> .....	<b>158</b>
23.1	Golf R, sales type 5K model year 2010 .....	158
23.2	Golf R, sales type 5K model year 2011 .....	159
23.3	Wheel allocation for Golf R, type 5K model year 2010 to model year 2011 .....	160
<b>24</b>	<b>Golf Plus from model year 2009</b> .....	<b>167</b>
24.1	Golf Plus, sales type 521 model year 2009 to model year 2011 .....	167
24.2	Wheel allocation for Golf Plus, sales type 521 model year 2009 to model year 2011 .....	170
<b>25</b>	<b>Golf Plus BlueMotion from model year 2010</b> .....	<b>185</b>
25.1	Golf Plus BlueMotion, sales type 521, model year 2010 to model year 2011 .....	185
25.2	Wheel allocation for Golf Plus BlueMotion, sales type 521, model year 2010 to model year 2011 .....	186
<b>26</b>	<b>Golf Variant from model year 2010</b> .....	<b>194</b>
26.1	Golf Variant, Golf Variant 4Motion, sales type AJ5 model year 2010 to model year 2011 .....	194
26.2	Wheel allocation for Golf Variant, Golf Variant 4Motion, sales type AJ5 model year 2010 to model year 2011 .....	200
<b>27</b>	<b>Golf Variant BlueMotion from model year 2010</b> .....	<b>217</b>
27.1	Golf Variant BlueMotion, sales type AJ5, model year 2010 to model year 2011 .....	217
27.2	Wheel allocation for Golf Variant BlueMotion, sales type AJ5, model year 2010 to model year 2011 .....	218
<b>28</b>	<b>Jetta from model year 2006</b> .....	<b>227</b>
28.1	Jetta, type 1KM model year 2006 .....	227
28.2	Jetta, type 1KM model year 2007 to model year 2008 .....	229
28.3	Jetta, type 1KM model year 2009 to model year 2011 .....	232
28.4	Wheel allocation for Jetta, type 1KM model year 2006 to model year 2011 .....	239
<b>29</b>	<b>Jetta BlueMotion from Model year 2008</b> .....	<b>256</b>
29.1	Jetta BlueMotion, type 1KM model year 2008 to model year 2011 .....	256
29.2	Wheel allocation for Jetta BlueMotion, type 1KM model year 2008 to model year 2011 ..	257
<b>30</b>	<b>New Beetle from model year 1999</b> .....	<b>266</b>
30.1	New Beetle, type 9C model year 1999 to model year 2010 .....	266
30.2	Wheel allocation for New Beetle, type 9C model year 1999 to model year 2010 .....	269
30.3	Conditions for fitting 17" wheels and tyres .....	280
<b>31</b>	<b>New Beetle Cabriolet from model year 2003</b> .....	<b>282</b>
31.1	New Beetle Cabriolet, type 1Y model year 2003 to model year 2010 .....	282
31.2	Wheel allocation for New Beetle Cabriolet, type 1Y model year 2003 to model year 2010 .....	284
31.3	Conditions for fitting 17" wheels and tyres .....	295
<b>32</b>	<b>Scirocco from model year 2009</b> .....	<b>297</b>
32.1	Scirocco, sales type 137, model year 2009 to model year 2011 .....	297
32.2	Wheel allocation for Scirocco, sales type 137 model year 2009 to model year 2011 .....	299



<b>33</b>	<b>Scirocco R from model year 2010</b> .....	<b>305</b>
33.1	Scirocco R, sales type 137, model year 2010 to model year 2011 .....	305
33.2	Wheel allocation for Scirocco R, sales type 137, model year 2010 to model year 2011 ..	306
<b>34</b>	<b>Touran from model year 2003</b> .....	<b>312</b>
34.1	Touran, type 1T model year 2003 to model year 2006 .....	312
34.2	Touran, type 1T model year 2007 to model year 2010 .....	315
34.3	Touran, type 1T model year 2011 .....	320
34.4	Wheel allocation for Touran, type 1T model year 2003 to model year 2011 .....	325
<b>35</b>	<b>CrossTouran from model year 2008</b> .....	<b>335</b>
35.1	CrossTouran, type 1T model year 2008 to model year 2009 .....	335
35.2	CrossTouran, type 1T model year 2010 to model year 2011 .....	337
35.3	Wheel allocation for CrossTouran, type 1T model year 2008 to model year 2011 .....	340
<b>36</b>	<b>Touran BlueMotion from model year 2009</b> .....	<b>343</b>
36.1	Touran BlueMotion, type 1T model year 2009 to model year 2011 .....	343
36.2	Wheel allocation for Touran BlueMotion, type 1T model year 2009 to model year 2011 ..	344
<b>37</b>	<b>Tiguan from model year 2008</b> .....	<b>352</b>
37.1	Tiguan, type 5N model year 2008 to model year 2011 .....	352
37.2	Wheel allocation for Tiguan, type 5N model year 2008 to model year 2011 .....	353
<b>38</b>	<b>Eos from model year 2006</b> .....	<b>357</b>
38.1	Eos, type 1F from model year 2006 .....	357
38.2	Eos, type 1F model year 2007 to model year 2010 .....	358
38.3	Wheel allocation for Eos, type 1F model year 2006 to model year 2010 .....	361
<b>39</b>	<b>Passat saloon from model year 2006</b> .....	<b>368</b>
39.1	Passat saloon, type 3C model year 2006 .....	368
39.2	Passat saloon, type 3C model year 2007 to model year 2008 .....	371
39.3	Passat saloon, type 3C model year 2009 .....	378
39.4	Passat saloon, type 3C model year 2010 to model year 2011 .....	385
39.5	Wheel allocation for Passat saloon, type 3C model year 2006 to model year 2011 .....	388
<b>40</b>	<b>Passat saloon BlueMotion from model year 2008</b> .....	<b>397</b>
40.1	Passat saloon BlueMotion, type 3C model year 2008 to model year 2009 .....	397
40.2	Passat saloon BlueMotion, type 3C model year 2010 to model year 2011 .....	399
40.3	Wheel allocation for Passat saloon BlueMotion, type 3C model year 2008 to model year 2011 .....	399
<b>41</b>	<b>Passat Variant from model year 2006</b> .....	<b>407</b>
41.1	Passat Variant, type 3C model year 2006 .....	407
41.2	Passat Variant, type 3C model year 2007 to model year 2008 .....	410
41.3	Passat Variant, type 3C model year 2009 .....	416
41.4	Passat Variant, type 3C model year 2010 to model year 2011 .....	423
41.5	Wheel allocation for Passat Variant, type 3C model year 2006 to model year 2011 .....	426
<b>42</b>	<b>Passat Variant BlueMotion from model year 2008</b> .....	<b>434</b>
42.1	Passat Variant BlueMotion, type 3C model year 2008 to model year 2009 .....	434
42.2	Passat Variant BlueMotion, type 3C model year 2010 to model year 2011 .....	436
42.3	Wheel allocation for Passat Variant BlueMotion, type 3C model year 2008 to model year 2011 .....	436
<b>43</b>	<b>Passat R36 from model year 2008</b> .....	<b>444</b>
43.1	Passat R36, type 3C model year 2008 to model year 2009 .....	444
43.2	Passat R36, type 3C model year 2010 to model year 2011 .....	445
43.3	Wheel allocation for Passat R36, type 3C model year 2008 to model year 2011 .....	446
<b>44</b>	<b>Passat saloon from model year 2011</b> .....	<b>453</b>
44.1	Advanced information on Passat saloon, type 3AA model year 2011 .....	453
<b>45</b>	<b>Passat Variant from model year 2011</b> .....	<b>456</b>
45.1	Advanced information on Passat Variant, type 3AA model year 2011 .....	456
<b>46</b>	<b>Passat CC from model year 2009</b> .....	<b>459</b>
46.1	Passat CC, sales type 357 model year 2009 .....	459



46.2	Passat CC, sales type 357 model year 2010 to model year 2011	461
46.3	Wheel allocation for Passat CC, sales type 357 model year 2009 to model year 2011	462
<b>47</b>	<b>Phaeton from model year 2003</b>	<b>466</b>
47.1	Phaeton, type 3D model year 2003 to model year 2009 - short and long wheelbase	466
47.2	Phaeton, type 3D and type 3d, model year 2010 to model year 2011 - short and long wheelbase	469
47.3	Wheel allocation for Phaeton, type 3D and type 3d, model year 2003 to model year 2011 - short and long wheelbase	471
<b>48</b>	<b>Sharan from model year 2011</b>	<b>478</b>
48.1	Sharan, type 7N, model year 2011	478
48.2	Wheel allocation for Sharan, type 7N, model year 2011	479
<b>49</b>	<b>Touareg from model year 2010</b>	<b>482</b>
49.1	Touareg, type 7P and type 7p, model year 2010 to model year 2011	482
49.2	Wheel allocation for Touareg, type 7P and type 7p, model year 2010 to model year 2011	483
<b>50</b>	<b>Touareg hybrid from model year 2011</b>	<b>488</b>
50.1	Touareg hybrid, type 7PH and type 7pH, model year 2011	488
50.2	Wheel allocation for Touareg hybrid, type 7PH and type 7pH, model year 2011	489
<b>51</b>	<b>Breakdown set for VW Vehicles</b>	<b>491</b>
<b>52</b>	<b>Temporary spare tyres and wheels for VW vehicles</b>	<b>492</b>
<b>53</b>	<b>Recommended summer tyres</b>	<b>494</b>
53.1	Summer tyres for Fox from model year 2006	494
53.2	Summer tyres for Polo from model year 2010	494
53.3	Summer tyres for Polo BlueMotion from model year 2010	495
53.4	Summer tyres for CrossPolo from model year 2011	495
53.5	Summer tyres for Polo GTI from model year 2011	496
53.6	Summer tyres for New Beetle from model year 1999	497
53.7	Summer tyres for New Beetle Cabriolet from model year 2003	497
53.8	Summer tyres for Golf from model year 2009	498
53.9	Summer tyres for Golf BlueMotion from model year 2009	499
53.10	Summer tyres for Golf GTD from model year 2009	500
53.11	Summer tyres for Golf GTI from model year 2009	501
53.12	Summer tyres for Golf R from model year 2010	501
53.13	Summer tyres for Golf Plus from model year 2009	501
53.14	Summer tyres for Golf Plus BlueMotion from model year 2010	503
53.15	Summer tyres for Golf Variant from model year 2010	503
53.16	Summer tyres for Golf Variant BlueMotion from model year 2010	505
53.17	Summer tyres for Jetta from model year 2006	505
53.18	Summer tyres for Jetta BlueMotion from Model year 2008	507
53.19	Summer tyres for Scirocco from model year 2009	507
53.20	Summer tyres for Scirocco R from model year 2010	508
53.21	Summer tyres for Touran from model year 2003	508
53.22	Summer tyres for Touran BlueMotion from model year 2009	510
53.23	Summer tyres for CrossTouran from model year 2008	510
53.24	Summer tyres for Tiguan from model year 2008	511
53.25	Summer tyres for Eos from model year 2006	511
53.26	Summer tyres for Passat saloon from model year 2006	512
53.27	Summer tyres for Passat saloon BlueMotion from model year 2008	513
53.28	Summer tyres for Passat Variant from model year 2006	514
53.29	Summer tyres for Passat Variant BlueMotion from model year 2008	515
53.30	Summer tyres for Passat R36 from model year 2008	516
53.31	Summer tyres for Passat saloon from model year 2011	516
53.32	Summer tyres for Passat Variant from model year 2011	517
53.33	Summer tyres for Passat CC from model year 2009	518
53.34	Summer tyres for Phaeton from model year 2003	518

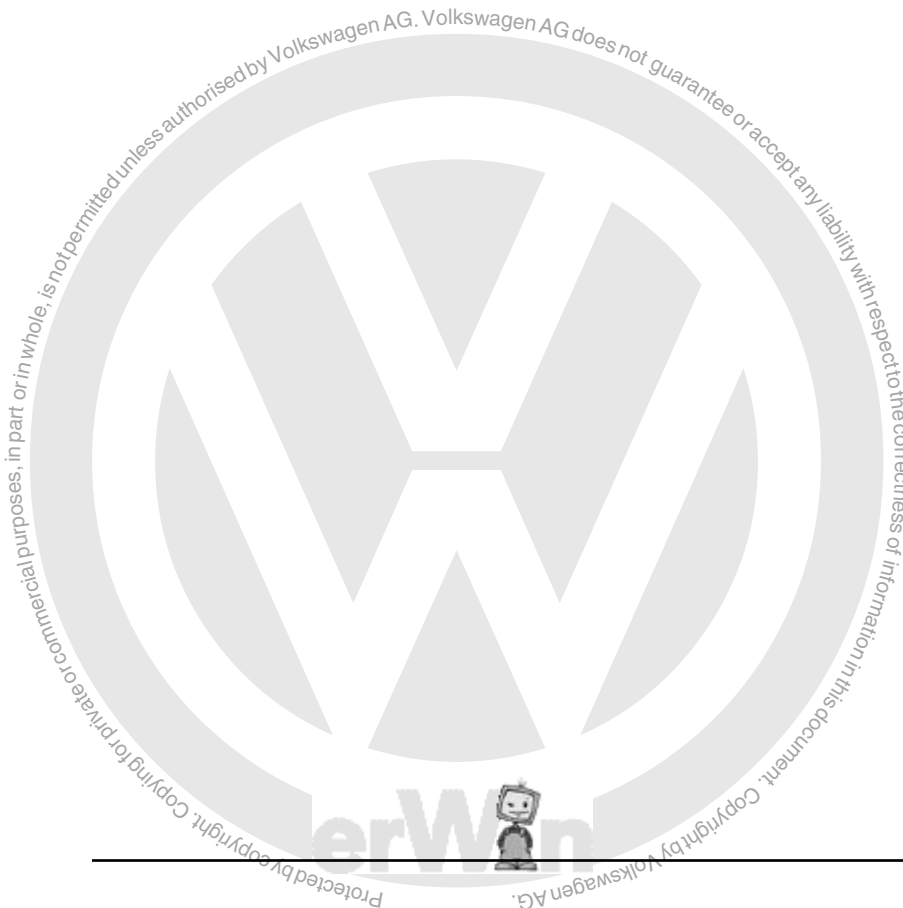


53.35	Summer tyres for Sharan from model year 2011	519
53.36	Summer tyres for Touareg from model year 2010	519
53.37	Summer tyres for Touareg hybrid from model year 2011	520
<b>54</b>	<b>Recommended all-season tyres</b>	<b>521</b>
54.1	All-season tyres for Polo from model year 2010	521
54.2	All-season tyres for Polo BlueMotion from model year 2010	521
54.3	All-season tyres for CrossPolo from model year 2011	521
54.4	All-season tyres for Polo GTI from model year 2011	521
54.5	All-season tyres for New Beetle from model year 1999	522
54.6	All-season tyres for New Beetle Cabriolet from model year 2003	522
54.7	All-season tyres for Golf from model year 2009	522
54.8	All-season tyres for Golf Plus from model year 2009	523
54.9	All-season tyres for Golf Variant from model year 2010	523
54.10	All-season tyres for Jetta from model year 2006	523
54.11	All-season tyres for Touran from model year 2003	524
54.12	All-season tyres for Tiguan from model year 2008	524
54.13	All-season tyres for Eos from model year 2006	524
54.14	All-season tyres for Passat saloon from model year 2006	525
54.15	All-season tyres for Passat saloon BlueMotion from model year 2008	525
54.16	All-season tyres for Passat Variant from model year 2006	525
54.17	All-season tyres for Passat Variant BlueMotion from model year 2008	526
54.18	All-season tyres for Passat R36 from model year 2008	526
54.19	All-season tyres for Passat saloon from model year 2011	526
54.20	All-season tyres for Passat Variant from model year 2011	526
54.21	All-season tyres for Sharan from model year 2011	527
54.22	All-season tyres for Passat CC from model year 2009	527
54.23	All-season tyres for Phaeton from model year 2003	527
54.24	All-season tyres for Touareg from model year 2010	527
<b>55</b>	<b>Recommended winter tyres</b>	<b>529</b>
55.1	Winter tyres for Fox from model year 2006	529
55.2	Winter tyres for Polo from model year 2010	529
55.3	Winter tyres for Polo BlueMotion from model year 2010	529
55.4	Winter tyres for CrossPolo from model year 2011	530
55.5	Winter tyres for Polo GTI from model year 2011	530
55.6	Winter tyres for New Beetle from model year 1999	530
55.7	Winter tyres for New Beetle Cabriolet from model year 2003	530
55.8	Winter tyres for Golf from model year 2009	531
55.9	Winter tyres for Golf BlueMotion from model year 2009	531
55.10	Winter tyres for Golf GTD from model year 2009	532
55.11	Winter tyres for Golf GTI from model year 2009	532
55.12	Winter tyres for Golf R from model year 2010	532
55.13	Winter tyres for Golf Plus from model year 2009	532
55.14	Winter tyres for Golf Plus BlueMotion from model year 2010	533
55.15	Winter tyres for Golf Variant from model year 2010	533
55.16	Winter tyres for Golf Variant BlueMotion from model year 2010	533
55.17	Winter tyres for Jetta from model year 2006	533
55.18	Winter tyres for Jetta BlueMotion from Model year 2008	534
55.19	Winter tyres for Scirocco from model year 2009	534
55.20	Winter tyres for Scirocco R from model year 2010	534
55.21	Winter tyres for Touran from model year 2003	535
55.22	Winter tyres for Touran BlueMotion from model year 2009	535
55.23	Winter tyres for CrossTouran from model year 2008	536
55.24	Winter tyres for Tiguan from model year 2008	536
55.25	Winter tyres for Eos from model year 2006	537
55.26	Winter tyres for Passat saloon from model year 2006	537
55.27	Winter tyres for Passat saloon BlueMotion from model year 2008	537





55.28	Winter tyres for Passat Variant from model year 2006	538
55.29	Winter tyres for Passat Variant BlueMotion from model year 2008	538
55.30	Winter tyres for Passat R36 from model year 2008	539
55.31	Winter tyres for Passat saloon from model year 2011	539
55.32	Winter tyres for Passat Variant from model year 2011	540
55.33	Winter tyres for Passat CC from model year 2009	540
55.34	Winter tyres for Phaeton from model year 2003	541
55.35	Winter tyres for Sharan from model year 2011	541
55.36	Winter tyres for Touareg from model year 2010	541







## 44 – Wheels, tyres, vehicle geometry

### 1 General notes on wheels and tyres (passenger cars)

This information is intended to help you form an opinion as precise and accurate as possible in cases of tyre damage and other complaints.

In this chapter you will learn more about tyres and wheels/rims.

Tyres are high-tech products that are especially adapted to the requirements of modern vehicles.

As with all highly developed technical products, tyres require proper care, maintenance and service. This is essential to ensure safety, performance and comfort for the entire service life of the tyre.

Tyres are constantly being further developed. Quality tyres are the result of modern design methods and production processes, as well as continuous quality checks. All tyres that are recommended by VW have been tested by the technical development department and have been designed specifically for each model in collaboration with the tyre manufacturers.

We therefore recommend fitting only the recommended tyre makes when renewing tyres.

Vehicle safety is the top priority. With regard to the various operating conditions such as

- differing speed ranges,
- winter and summer use and
- wet and dry roads,

the optimal compromise for vehicle safety must be found.

Every tyre is subjected to a wide range of different driving conditions over its entire service life. It is therefore important that the basic requirements for ensuring optimal tyre performance are met.

Proper adjustment of the axle geometry during wheel alignment is an important prerequisite for ensuring the maximum service life of the tyre. The wheel alignment must always be within the specified tolerance range.

Information for wheel alignment ⇒ Running gear, axles, steering; Rep. gr. 44 .



#### Note

*Tyre damage and related problems can have various causes. It is therefore very important that one determines whether the problem has been caused by the tyre or by other components.*

Normal wear and tear on a tyre will alter its characteristics. Rolling noises or rough running can be the result of such wear. These are simply the symptoms of normal wear and tear and do not constitute damage in the sense of the tyre being defective. You can take measures to eliminate the symptoms at least to some degree. However, in some cases it may not be possible to eliminate tyre noise completely.



### Special models

Special models are only partly represented in the certificate statements. Modification of these vehicles depends on the engine capacity of the basic model.





## 2 Legislative and technical conditions for converting wheel and tyre combinations

### 2.1 Legislative conditions for converting wheel and tyre combinations

The manufacturer is issued with a general operating permit (GTA in accordance with § 20 StVZO (German road traffic and licensing regulations) and EU operating permit) for the overall vehicle with all parts for specific conversions.

Conversions of wheels and tyres can only be carried out under certain conditions. When doing this, the following points must be observed:

- ◆ If the size of wheel and tyre, with an indication of the load index and the speed symbol, is included in the vehicle GTA and EU operating permit/type approval ⇒ [page 6](#), this wheel and tyre combination can be fitted on the vehicle without any problem.

**It is not necessary for the wheel and tyre combination specified in the registration certificate part I (certificate of registration) to be fitted. All combinations approved in the vehicle GTA or EU operating permit/type approval ⇒ [page 6](#) may be fitted to the vehicle.**

- ◆ For the conversions recommended by VOLKSWAGEN AG (see appendix for certificate statements) there are no general operating permits in accordance with § 22 StVZO (German road traffic and licensing regulations).
- ◆ Unless the wheels and/or tyres are included in the relevant vehicle GTA or EU operating permit/type approval, the vehicle will no longer meet the requirements of the road traffic regulations if converted.

**These versions are based on the conditions valid in the European Union and no guarantee can be provided for their completeness. In some cases there are different legislative requirements outside the European Union.**

The table included in the attached certificate statements shows the VOLKSWAGEN AG recommended and TÜV NORD Mobilität GmbH Co. KG tested wheel and tyre combinations on VW vehicles and also the conditions to be observed for fitting. The use of genuine disc-type wheels on a vehicle to which they have not been allocated is not permissible.

The list of possible conversions deals with combinations that meet the requirements of VOLKSWAGEN AG with regards to road handling and road safety. They are the result of practical trials and are therefore recommended by VOLKSWAGEN AG.

**Refer also to the new vehicle registration documents that were issued from 01.10.2005 ⇒ [page 5](#).**

### 2.2 Technical conditions for converting wheel and tyre combinations

- The wheel and tyre combinations and conversions listed in the tables of the individual vehicles refer exclusively to Volkswagen genuine disc-type wheels.



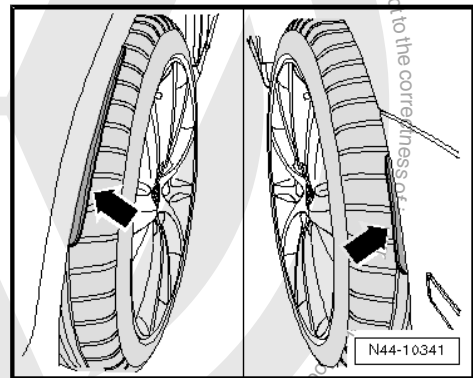
- Approval of wheel and tyre combinations or a change to wheels from the accessories trade is not possible with the certificate statement attached here.
- Tubeless radial tyres may only be fitted to rims with a safety hump feature on the shoulder.
- Tyres with run-flat properties (reinforced side walls) may only be used on disc-type wheels with an extended hump and on vehicles with a tyre pressure monitoring system  
⇒ [page 55](#) .
- If the wheel and tyre combinations listed are used, the associated tyre inflation pressures must be adhered to. The tyre inflation pressures for summer tyres can be found on the sticker on the inside of the tank flap or in the tables of the individual vehicles.
- Sufficient clearance to the wheels and tyres at parts of the wheel housing, suspension and braking system is assured if the notes and specifications established in the certificate statement are observed in all operating conditions.
- Unless otherwise stated, snow chains may only be fitted to the drive wheels. On all-wheel drive vehicles, however, only the front wheels may be fitted with snow chains with the exception of the Touareg (rear wheels may also be fitted with snow chains).

### 2.3 Additional wheel housing extensions (flaps)

For technical reasons some vehicles require wheel housing extensions (flaps) on the wing or bumper -arrows- when using certain wheel and tyre combinations.

Please check if there is a requirement to remove the flaps.

The information is located in the overview table for the respective vehicle.



### 2.4 „Series 80“ tyres

Tyres of the „80“ series (e.g. 145/80 R 13 74 S) will replace the „82“ series (e.g. 145/82 R 13 74 S). Lawmakers have stipulated that „82“ series tyres may be replaced by „80“ series tyres without having been entered in the vehicle documents.

The condition for this is that the „80“ series tyres have the same width, be of the same type – cross-ply or radial belted – and have the same or higher load index.

If only „80“ series tyres are entered in the vehicle documents, „82“ series tyres may only be used if an entry has been made in the vehicle documents.



## 3 Documents and codes/designations

### 3.1 New vehicle registration documents since 01.10.2005

The implementation of EU Directive 1999/37/EU "Registration Documents for Vehicles" in national law and legal requirements for data protection have necessitated the introduction of new, falsification-proof registration documents.

Since 01.10.2005, only the new documents are issued by the registration authorities in the event of new registrations, change of ownership, registration of technical modifications and all other matters.

The new registration documents are comprised of:

- ◆ Registration certificate part I, which replaces the certificate of registration and
- ◆ Registration certificate part II, which replaces the vehicle log book.

#### Registration certificate part I (certificate of registration)

- ◆ Contains all vehicle technical data which must be available to register a vehicle in Europe; however, only one wheel and tyre combination approved as standard is specified
- ◆ Contains the EU-wide, standardised, alphanumeric codes assigned to the technical data, so that the German registration certificate can be converted without problems into the registration document prescribed in non-member European countries for registration there
- ◆ Contains a field for documenting temporary or final immobilisation of the vehicle, and is therefore no longer withdrawn in the event of temporary or final immobilisation

#### Registration certificate part II (vehicle log book)

- ◆ Contains the note that the holder of the registration certificate is not identified as the owner
- ◆ Contains only the current and, if applicable, the last vehicle owner; the actual number of previous owners is shown numerically
- ◆ Contains only a small percentage of the technical vehicle data
- ◆ No longer serves to document temporary vehicle deregistration. The vehicle and body type specified under number 1 in the old vehicle documents will not exist in the future. In the new documents, this will be replaced by standardised EU vehicle classes with body type

Introduction of the new registration documents will lead to barely any changes for the vehicle operator.

Like the old certificate of registration, the registration certificate part I (certificate of registration) must be kept in the vehicle and submitted to responsible persons on request.

**It is not necessary for the wheel and tyre combination specified in the registration certificate part I (certificate of registration) to be fitted. All combinations approved according to the general vehicle type approval or EU type approval ⇒ [page 6](#) may be fitted.**

The validity of a wheel and tyre combination which deviates from the general vehicle type approval or EU type approval must still be verified via an entry in the registration certificate part I (certificate of registration), an installation certificate based on a part



certificate or general type approval for the wheel and tyre combination.

### 3.2 COC document (EEC Certificate of Conformity)

Manufactures of motorized vehicles must apply for an EU operating permit for all class M1 passenger carrying vehicles.

A certificate is produced on the basis of this operating permit - the COC (Certificate of Conformity).

This document certifies that the vehicle complies with the EU operating permit (EU type approval) and can be registered in every EU country without an individual type approval.

The document will be issued for all vehicles that comply with the EU operating permit.

These vehicles have an EU type plate (black sticker) in the area of the driver's door, or in the case of older vehicles, in the engine compartment.

The COC document has the same value as the registration document and therefore the original should not be carried on the vehicle.

The COC document contains the EU general type approval number => [page 6](#) and detailed technical information on the vehicle such as emissions classification and all the permitted wheel and tyre combinations.

### 3.3 EU general type approval number, sales type and sales or trade designation

Since 1.1.1998, all passenger cars licensed within the European Union must have a type approval corresponding to EU guidelines. Vehicles licensed for road use with single-vehicle approval according to § 21 StVZO in Germany are excepted.

This means the same guidelines apply to all vehicle manufacturers. This makes it easier to trade across national borders within the EU.

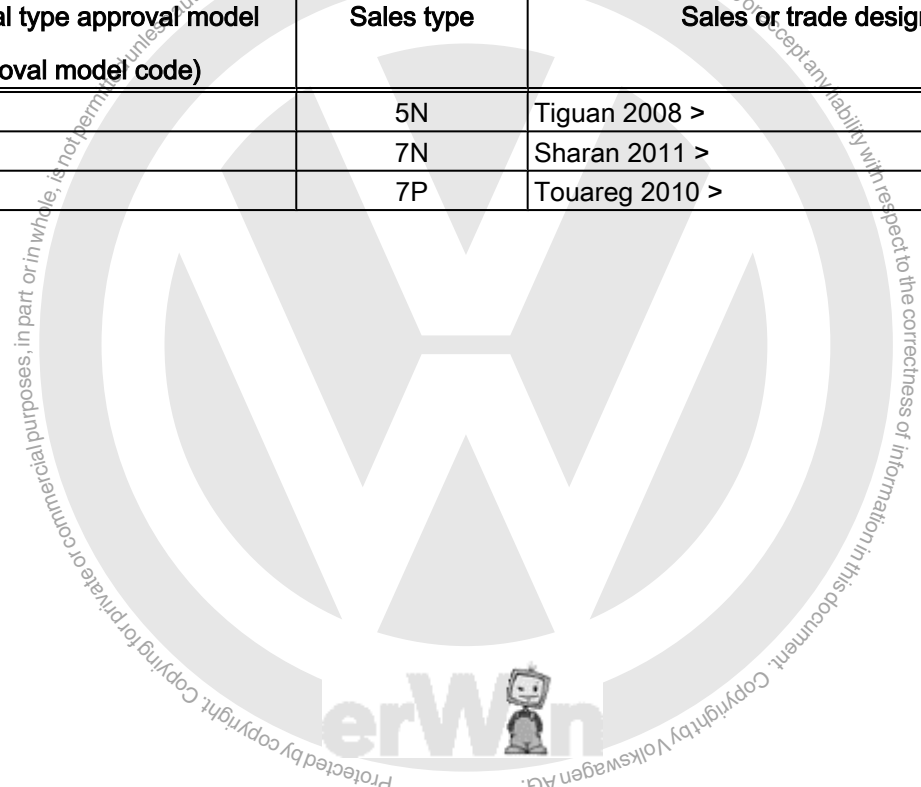
The COC document contains the EU general type approval number and detailed technical information on the vehicle such as emissions classification and all the permitted wheel and tyre combinations => [page 6](#)

EU general type approval model code (type approval model code)	Sales type	Sales or trade designation
5Z	5Z	Fox 2006 >
6R	6R	Polo 2010 >
1K	5K	Golf 2009 >
1KM	1KM	Jetta 2006 >
1KM	AJ5	Golf Variant 2010 >
1KP	521	Golf Plus 2009 >
1T	1T	Touran 2003 >; Cross Touran 2008 >
9C	9C	New Beetle 1999 >
1Y	1Y	New Beetle Cabriolet 2003 >
13	137	Scirocco 2009 >
1F	1F	Eos 2006 >
3C	3C	Passat 2006 >
3CC	357	Passat CC 2009 >
3D	3D	Phaeton 2003 >





EU general type approval model code (type approval model code)	Sales type	Sales or trade designation
5N	5N	Tiguan 2008 >
7N	7N	Sharan 2011 >
7P	7P	Touareg 2010 >





## 4 Useful information regarding tyres

### 4.1 Identification markings on the tyre sidewall

Example: Continental ContiPremiumContact 2

#### 1 - Size code

- e.g. 205/55 R 16  
⇒ [page 9](#)

#### 2 - Position of TWIs (Tread Wear Indicators)

#### 3 - Manufacturer (trade name)

#### 4 - Construction

- Radial - radial cord direction in carcass
- Tubeless - code for tubeless tyres

#### 5 - Load capacity index / speed rating

- e.g. 91 ⇒ [page 10](#)
- e.g. H ⇒ [page 9](#)

#### 6 - Specified direction of rotation/installation for tyre

#### 7 - Maximum permissible load

- Data for North America

#### 8 - Maximum permissible tyre pressure

- Data for North America

#### 9 - Number of plies in the centre of the tread and in the sidewalls as well as information about the material

#### 10 - E number = Approval number

- Tyre fulfils European guidelines

#### 11 - Manufacturer code / date of manufacture

- Identification number for manufacturer's plant, tyre size and tyre model
- Tyre ageing / date of manufacture ⇒ [page 12](#)

#### 12 - DOT - Department of Transportation

- Tyre fulfils standards of the Department of Transportation of the United States of America

#### 13 - Marking for Brazil

#### 14 - Marking for China

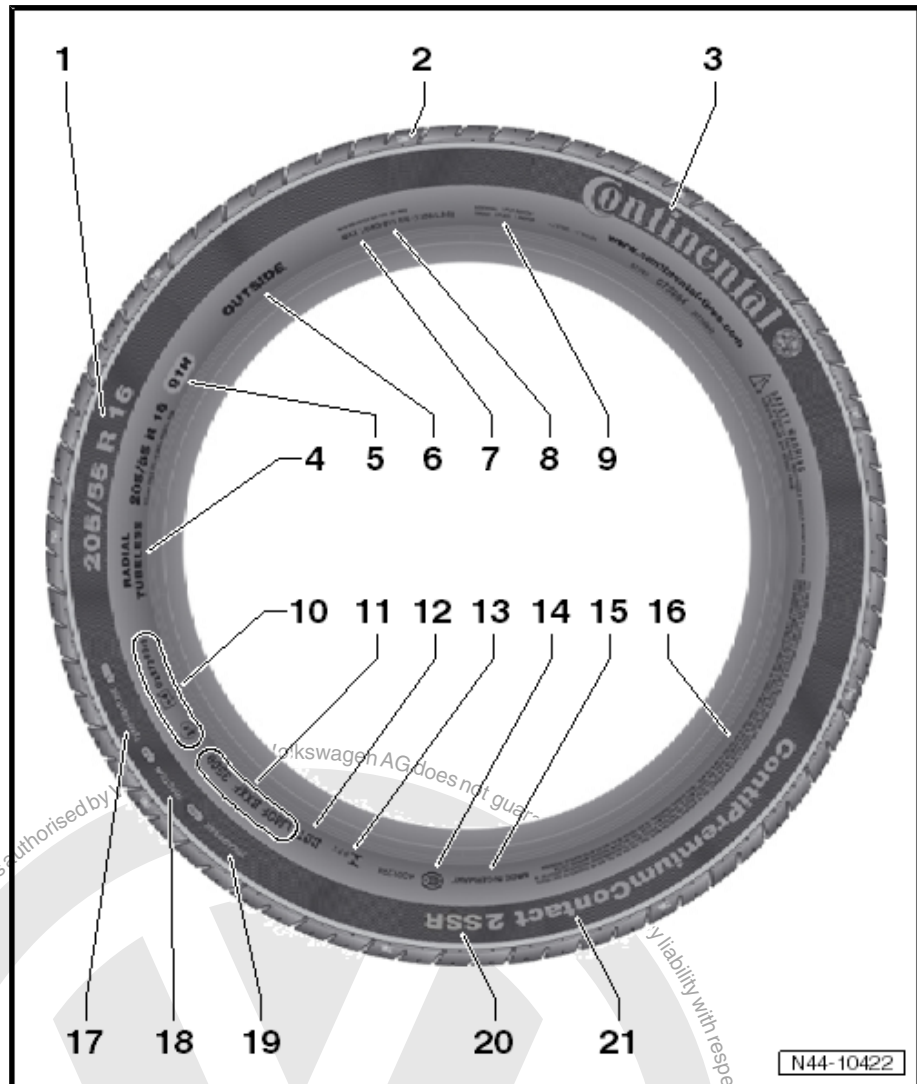
#### 15 - Country of origin

- e.g. manufactured in Germany (Made in Germany)

#### 16 - Safety notes for use or fitting of tyre

#### 17 - Relative expected service life - abrasion resistance

- based on a US standard test





#### 18 - Rating of wet-braking traction, A, B or C

- According to a US test

#### 19 - Rating of temperature resistance, A, B or C

- According to a US test

#### 20 - Identifying tyres with run-flat properties

- e.g. self-supporting run-flat
- Identifying tyres with run-flat properties ⇒ [page 55](#)

#### 21 - Tread pattern

- e.g. ContiPremiumContact

## 4.2 Explanation of tyre markings

### Explanation of tyre dimensions

Tyres	Speed	1	2	3	4	5	6	7
Summer tyres	to 240 km/h	195	65	R	15	91	V	-
Winter tyres	to 160 km/h	195	65	R	15	91	Q	M + S
Winter tyres	to 190 km/h	195	65	R	15	91	T	M + S
High-speed tyres	faster than 240 km/h	225	50	ZR	16	91	-	-

- 1 - Tyre width
- 2 - Aspect ratio in %
- 3 - Code for tyre construction „R“ indicates radial
- 4 - Rim diameter designation
- 5 - Load rating code/load index (LI)
- 6 - Speed rating code
- 7 - Winter tyre/code for all-season tyre

### Speed rating/maximum speed

Speed rating code	Maximum speed in km/h
L	120
M	130
N	140
P	150
Q	160
R	170
S	180
T	190
U	200
H	210
V	240
ZR	above 240
W	270
Y	300



### Load rating code/load index (LI)

The load rating can be found on the sidewall of the tyre. It provides information about the maximum load that the tyre can bear.

The load rating is included in the size designation of the tyre (e.g. 195/65 R 15 91T). It is indicated on the tyre as a code according to ETRTO. The following table shows the load rating codes used at VW with the corresponding load capacity of the tyres.

Load rating code	Maximum load of tyre in kg
75	387
78	425
79	437
80	450
81	462
82	475
83	487
84	500
85	515
86	530
87	545
88	560
89	580
90	600
91	615
92	630
93	650
94	670
95	690
96	710
97	730
98	750
99	775
100	800
101	825
102	850
103	875
104	900
110	1060
112	1120

### 4.3 Speed ratings for tyres

The speed rating (e.g. „T“) following the size of the tyre (e.g. 185/65 R 14 86T)) indicates the maximum permitted speed ( $v_{max}$ ) of the tyre.

The tyres for the vehicle must be selected so that their maximum permitted speed is greater than the maximum speed that the vehicle („based on model“) can attain.



### Vehicles with national type approval

If the vehicle has a national type approval, the maximum speed for the vehicle is calculated as follows:

#### Formula for vehicles with $v_{\max}$ up to 150 km/h

$$v_{\max} = 1.03 \times v + 3.5 \text{ km/h} \Rightarrow \text{page 11}$$

Example: Specified maximum speed  $v = 145 \text{ km/h}$

$$v_{\max} = 1.03 \times 145 \text{ km/h} + 3.5 \text{ km/h} = 152.85 \text{ km/h}$$

In this example, a tyre with the speed rating „Q“ or higher must be used.

#### Formula for vehicles with $v_{\max}$ above 151 km/h

$$v_{\max} = 1.01 \times v + 6.5 \text{ km/h} \Rightarrow \text{page 11}$$

Example: Specified maximum speed  $v = 163 \text{ km/h}$

$$v_{\max} = 1.01 \times 163 \text{ km/h} + 6.5 \text{ km/h} = 171.13 \text{ km/h}$$

In this example, a tyre with the speed rating „S“ or higher must be used.

### Vehicles with EC type approval

If your vehicle has an EC type approval, the maximum speed for all vehicles is calculated as follows:

$$v_{\max} = 1.05 \times v \Rightarrow \text{page 11}$$

Example: Specified maximum speed  $v = 172 \text{ km/h}$

$$v_{\max} = 1.05 \times 172 \text{ km/h} = 180.60 \text{ km/h}$$

In this example, a tyre with the speed rating „T“ or higher must be used.

It is permitted to use tyres with a higher speed rating. The same applies to tyres with a higher load index.



#### Note

*For the letter „v“, enter the maximum speed given in field „T“ of part I or II of the registration document or under number 6 of the vehicle documentation. This calculation is necessary because all vehicles, for technical reasons, achieve different maximum speeds within a legally permitted tolerance.*

## 4.4 Undulations

Radial depressions are slight concavities in the tyre sidewall.

They run from the bead towards the shoulder of the tyre. These parts appear in the figure  $\Rightarrow$  page 41 .

The cause is the accumulation of material at the joints of the tyre components.

Undulations have no effect on:

- ◆ Safety,
- ◆ Service life,
- ◆ Handling or
- ◆ Other characteristics of the tyre.

Undulations are visible to varying extents. It is not necessary to inspect the tyre or remove it from the rim.



What causes undulations?

Modern steel belted tyres are constructed with single-ply side walls to save weight.

The sidewall components consist of long strips before they are joined together to form a tyre. They must overlap at the joints. Consequently, slight irregularities or waves are created in the area of the overlapping parts. The overlaps are easier to see from the outside due to the single-ply construction.

## 4.5 Tyre storage

### Storage room

The conditions have to be:

- dark
- dry,
- cool and
- ventilated

in the tyre storage room.



### WARNING

***Stored tyres must not come in contact with fuel, oil, grease or chemicals under any circumstances. Otherwise, the material in the tyre will be damaged by chemical reactions which are not always visible.***

***As a result, dangerous situations can occur when the car is driven.***

Of course, tyre damage occurs only if the tyre is in contact with the chemical for a relatively long time. If a few drops of fuel land on a tyre during a fill up, this is of no concern.

### Storing the tyres

#### Complete wheels

Tyres mounted on wheels can be stored flat, stacked one upon the other. In this case, it is important to ensure that the tyres are clean and dry. The inflation pressure should be increased to a maximum of 3 bar.

#### Tyres without wheels

Tyres without wheels are best stored standing vertically. If tyres are stacked for a long period of time, they will be pressed together quite considerably. The tyres will then be more difficult to fit, as they do not sit on the rim shoulders. If tyres are stored standing vertically, it is recommended to turn them every 14 days to avoid flat spots.

## 4.6 Tyre ageing

- ◆ Even visually flawless, new or barely used tyres with sufficient tread depth, which are older than six years, may show significant reduction of wet properties and winter suitability due only to ageing.
- ◆ Tyre tests show that a continuous development process, the use of new rubber compounds and modern raw materials, in conjunction with the optimisation of tread design and tread geometry, make it possible to continually improve tyres.
- ◆ Only tyres with state-of-the-art technology can meet the requirements of modern and highly developed vehicles from



Volkswagen and the constantly growing demand from the customer for economical tyres offering maximum possible safety, driving dynamics and comfort.

- ◆ Tyres age as a result of physical and chemical processes, which can impair the function of the tyres. Tyres which are stored for longer periods of time harden and become brittle faster than tyres which are constantly in use on a vehicle.
- ◆ Older tyres may develop hairline cracks as a result of ageing.
- ◆ When tyres are in regular use, the constant flexing activates softeners in the rubber, preventing hardening and the development of cracks.
- ◆ It is therefore important to take into account not only the tread depth, but also the age of spare tyres, stored tyres and tyres which are not permanently in use.
- ◆ The tyre age can be determined from the DOT designation, which includes, among other things, the production date of the tyre.

Example of a DOT number to 31.12.1999

DOT .....	5	0	9	<
			Stands for 199_	
			Last digit is production year	
	Week			

In this example, the production date is the 50th week of 1999.

Example of a DOT number from 01.01.2000

DO .....	0	1	0	0
T .....			Last 2 digits is production year	
	Week			

In this example, the production date is the 1st week of 2000.

### Recommendation

- ◆ It is recommended not to use summer and winter tyres which are older than 6 years anymore. The original properties deteriorate due to the aging process. Winter tyres especially lose their adhesion properties.
- ◆ When new tyres are fitted, the spare tyre may also be used if it is in flawless condition and is not more than 6 years old. The age of the tyre has a great influence on the high-speed capability of the tyre. It is possible to combine a spare tyre which is several years old with new tyres; however, this can have an adverse influence on car handling.
- ◆ Tyres are constantly being further developed, which can lead, for example, to slight changes in the rubber compound, even if the tyres are of the same make, size and tread pattern.
- ◆ All VW vehicles are factory-fitted with four identical tyres and wheels.

Front-wheel drive vehicles:

- ◆ For reasons of safety, tyres of the same make and with the same tread pattern should be mounted on one axle.

Four-wheel drive vehicles:



- ◆ Vehicles with four-wheel drive must always be equipped with four wheels with tyres of the same size, construction, tread pattern and make.

### Renewing tyres

Tyres must always be renewed when:

- the legal minimum tread depth of 1.6 mm is reached,
- there is visible mechanical damage

## 4.7 Tyre sizes for vehicles with four-wheel drive

The following points must be observed for vehicles with four-wheel drive:

- ◆ Only tyres of the same make, design and tread pattern may be fitted to the front and rear axles.
- ◆ Different tyre rolling circumferences produce stress in the drive train which increases tyre wear and may damage the drive train.
- ◆ These restrictions also apply to front and rear tyres with greatly differing stages of wear. In such cases, tyres with the most tread must be fitted on the front axle.

## 4.8 Winter tyres

### Use of winter tyres

As of 01.05.2006, a change to the German road traffic regulations (StVO) came into force which caused the following supplement to be made: "The equipment in motor vehicles has to be adapted to the weather conditions. In particular, this includes suitable tyres and antifreeze in the windscreen washing system."

Please point out to customers that, since May 1st 2006, they are legally obliged to adapt their vehicle's equipment, particularly the tyres, to winter weather conditions.

For driving in winter, we recommend that the vehicle be equipped with winter tyres in the sizes recommended in the certificate statements.

### As a basic rule:

All tyre sizes listed in the vehicle documents can also be used as winter tyres.

The handling characteristics may be affected by the use of winter tyres and the possible change in the dimensions of the wheel and tyre. Therefore, when using winter tyres, you must adapt your speed to the changed handling characteristics and to the road conditions.

To achieve the best possible handling, winter tyres must be fitted on all wheels.

If the vehicle is equipped with rims other than the factory-fitted rims, you must take the following into consideration when you fit winter tyres:

- ◆ Wheels and wheel bolts are matched.
- ◆ Whenever the wheels are changed, corresponding wheel bolts of the correct length and with the correctly shaped tapered seats are used <sup>1)</sup>. The secure fit of the wheels and the functioning of the brakes depends on this.
- ◆ The suitability of winter tyres with less than 4...5 mm tread depth for winter operation is limited.





- ◆ Some countries require winter tyres to have a tread depth of at least 4 mm.
- ◆ We recommend that winter tyres be replaced after no more than six years. The special „winter properties“ of these tyres decline with age, regardless of how much they are used.

#### Vehicles with tyre pressure control

On vehicles with tyre pressure control, the tyre inflation pressure has to be resaved or matched when changing over between summer and winter tyres ⇒ Workshop manual - Running gear - for relevant model .

1) A spherical cap is the curved surface of a section of a sphere cut by a plane. The tapered seats on the wheel bolt and in the wheel (rim) in the wheel bolt holes are spherical caps.

### 4.9 Winter tyres with speed symbol „V“

The tyre industry now supplies winter tyres with speed symbol "V". But only under certain conditions may these tyres be used up to the maximum permitted speed  $v_{\max} = 240$  km/h.

#### Vehicles with V tyres

Vehicles requiring V tyres according to the vehicle's title document can use winter tyres with speed symbol V without restriction at speeds up to  $v_{\max} = 240$  km/h.

#### Vehicles with W, Y or ZR tyres:

Under certain circumstances, vehicles requiring W, Y or ZR tyres according to the vehicle's title document may not be driven at speeds of  $v_{\max} = 240$  km/h.

#### Why?

V summer tyres and V winter tyres without special identification ⇒ [page 16](#) have 100 % of their maximum load capacity (as specified by their load index „LI“) ⇒ [page 15](#) only up to speeds of 210 km/h.

Travelling at over 210 km/h is possible with V winter tyres only if the maximum load of the tyres is not exceeded. The load capacity of the tyres decreases as the speed increases.

The maximum permitted axle load and the maximum achievable speed of some VW vehicles are so high that the load capacity of the V tyres is not sufficient for speeds of up to 240 km/h.

#### example: Tyre 205/55 R 16

91  
V

The load index (LI) 91 certifies that this tyre has a load capacity of 615 kg per tyre at up to 210 km/h.

At a speed of 240 km/h, this tyre can carry a load of only 560 kg, i.e. the axle load may not exceed 1120 kg.

The Passat Variant V6 4Motion has a permitted axle load of 1150 kg and an achievable maximum speed of 232 km/h. This vehicle may only travel at speeds of up to 230 km/h with V winter tyres.

**This applies to all V winter tyres without special markings.**

### 4.10 Extra Load (XL) V winter tyres

V winter tyres marked XL have a higher load capacity than V winter tyres without this code.

XL V winter tyres allow a higher speed, but this does not mean that the top speed of a V tyre is 240 km/h for every VW car.



The same conditions apply to these tyres as to V winter tyres without special marking

### Tyre pressure for Extra Load V tyres

The following table ⇒ [page 16](#) shows how fast VW cars may drive with V winter tyres, depending on their respective axle load.

## 4.11 Maximum speeds for V and Extra Load (XL) winter tyres

Vehicle	Version	Type of drivetrain	Max. axle load	Winter tyres	v <sub>max</sub> with V winter tyres
Phaeton 2003 > 3.2l V6 177 kW Short and long wheelbase	Saloon	Front-wheel drive	1,420 kg	235/60 R 16 100 V	240 km/h
				235/55 R 17 99V	235 km/h
				235/50 R 18,101 V extra load	240 km/h
				245/45 R 19 102V extra load	230 km/h
				255/40 R 19,100 V extra load	240 km/h
Phaeton 2003 > 3.0l V6 TDI 165 kW Short and long wheelbase	Saloon	4Motion	1,490 kg	235/55 R 17 99V	220 km/h
				235/50 R 18,101 V extra load	240 km/h
				245/45 R 19 102V extra load	230 km/h
				255/40 R 19,100 V extra load	230 km/h
Phaeton 2003 > 4.2l V8 246 kW Short wheelbase	Saloon	4Motion	1,430 kg	235/55 R 17 99V	235 km/h
				235/50 R 18,101 V extra load	240 km/h
				245/45 R 19 102V extra load	230 km/h
				255/40 R 19,100 V extra load	240 km/h
Phaeton 2003 > 4.2l V8 246 kW Long wheelbase	Saloon	4Motion	1,450 kg	235/55 R 17 99V	230 km/h
				235/50 R 18,101 V extra load	240 km/h
				245/45 R 19 102V extra load	230 km/h
				255/40 R 19,100 V extra load	240 km/h
Phaeton 2003 > 5.0l V10 TDI 230 kW short wheelbase	Saloon	4Motion	1,640 kg	235/50 R 18,101 V extra load	210 km/h



Vehicle	Version	Type of drivetrain	Max. axle load	Winter tyres	v <sub>max</sub> with V winter tyres
Phaeton 2003 > 5.0l V10 TDI 230 kW long wheelbase	Saloon	4Motion	1,650 kg	235/50 R 18,101 V extra load	210 km/h
Phaeton 2003 > 6.0l W12 309 kW  Short and long wheelbase	Saloon	4Motion	1,550 kg	235/50 R 18,101 V extra load	235 km/h
				245/45 R 19 102V extra load	230 km/h
				255/40 R 19,100 V extra load	220 km/h

### Registration regulations in the Federal Republic of Germany

Only when winter tyres are in use may the top speed that a vehicle can achieve be greater than the maximum speed specified by the speed symbol of the tyre.

In this case, a label stating the following must be attached:

<b>Important! Winter tyres!</b>
Maximum speed ... km/h



#### Note

*This label must be clearly visible to the driver!*

## 4.12 Reinforced and Extra Load (XL) tyres

Some tyre manufacturers have for some time replaced the designation „Reinforced“ with the designation „Extra Load“. This designation has long been standard in non-European countries. Technically, there is no difference between them.

Some tyre manufacturers also use the designation „XL“ for Extra Load tyres.

Tyres with the designation „Reinforced“ or „Extra Load (XL)“ are of equal quality.

## 4.13 Snow chains

Snow chains must be fitted to driven wheels only.

On all-wheel drive vehicles, however, only the front wheels may be fitted with snow chains with the exception of the Touareg (rear wheels may also be fitted with snow chains).

It is not possible to use snow chains with all wheel and tyre combinations. Notes on this can be found in the vehicle tables of the certificate statement.

If no particular type of snow chain is specified, then small-link chains may be used. These, including the chain fastener, may not protrude more than 15 mm beyond the wheel's tread and the inner wall.

On some models, only special, small-link chains are possible with certain wheel and tyre combinations. Notes on this can be found in the vehicle tables of the certificate statement.



**The maximum speed permitted by law when driving with snow chains is 50 km/h.**

Snow chains should be removed when there is no snow on the road. There is no point in having them on the wheels, as they adversely affect the vehicle's handling. It causes unnecessary stress on the tyres and above average wear on the chains.





## 5 Tyre wear/ mileage for passenger car tyres

### 5.1 General

A tyre has to meet numerous requirements ⇒ [page 19](#) .

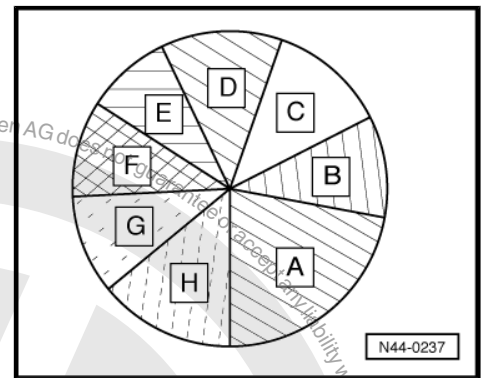
Different types of tyres meet these requirements to varying degrees.

Depending on the conditions in which the tyres are used and on the type of vehicle, some requirements will be more important than others.

H, V, and Z tyres for „high-performance vehicles“ are expected to have good grip on wet and flooded roads. However, mileage performance cannot be as good for tyres of this type as it is, for example, in the case of S or T tyres.

### 5.2 Requirements to be met by tyres

- A - Wet braking properties
- B - Driving comfort
- C - Steering accuracy
- D - Driving stability
- E - Tyre weight
- F - Life expectancy
- G - Rolling resistance
- H - Aquaplaning



The pie chart illustrates to what extent the tyre meets the various requirements. The tyre in this example (with its specific structure and rubber composition) would meet the requirements listed above (A to H) to the extent indicated by the size of the segments of the pie.

Improving one of the characteristics will have a negative effect on one of the others.

Example:

An improvement in wet braking properties -A- leads to a reduction in driving comfort -B-, rolling resistance -G- and life expectancy -F-.

The life expectancy of passenger vehicle tyres does not just depend on the rubber composition and design of a tyre. The conditions for use, the vehicle-specific circumstances and driving style have a heavy influence on the service life of a tyre.

Modern vehicles enable comfortable and economic driving, but also a more "sporty" driving style. A tyre life of 5,000 to 40,000 km or more is possible.



#### Note

*The driving style is the most important influencing factor as regards the service life of a tyre.*



### 5.3 Wear behaviour of high-speed tyres

These tyres are designed for very high speeds. When developing these tyres, good grip in wet conditions is the main objective. The tread compositions do not have the same wear resistance as T and H tyres for lower speeds.

The life expectancy of high-speed tyres is therefore considerably lower in comparable conditions of use.

### 5.4 Factors influencing the service life of a tyre

The following factors influence a tyre's service life to varying degrees.

#### Driving style:

- ◆ Speed ⇒ [page 20](#)
- ◆ Braking ⇒ [page 20](#)
- ◆ Acceleration ⇒ [page 21](#)
- ◆ Cornering ⇒ [page 21](#)

For more information about driving style: ⇒ [page 20](#) .

#### Maintenance:

- ◆ Tyre pressure ⇒ [page 21](#)

For more information about maintenance: ⇒ [page 21](#) .

#### Environment:

- ◆ Road surface
- ◆ Ambient temperature and climate

#### Vehicle:

- ◆ Weight
- ◆ Dynamic toe and camber settings

#### Tyre use:

- ◆ Speed range
- ◆ Wet or dry

#### Tyre type:

Winter or summer

### 5.5 Driving style

#### I. Steady driving without deceleration or acceleration

Example:

Speed (km/h)	Wheel slip	Wear
100	1	1
180	3	9

#### II. Braking (driving style)

Most wear is caused during braking.

Example: Braking from a speed of 50 km/h



Braking distance (m)	Deceleration (m/s <sup>2</sup> ) <sup>2)</sup>	Wheel slip	Wear
Vehicle allowed to roll to a stop		0	0
100	0.1 x g	4	1
50	0.2 x g	8	4
12.5	0.4 x g <sup>3)</sup>	32	2000 - 3000

2) g = Freefall acceleration: 9.81 m/s<sup>2</sup>

3) A deceleration of 0.4 x g corresponds to heavy braking.

### III. Acceleration (driving style)

Slip caused when driving off gently is approximately the same as that caused when driving at a constant speed of 100 km/h.

Example:

	Wheel slip	Wear
Driving off gently	1 - 2	1
Driving off normally	7 - 8	5
Driving off with wheels spinning	20 or more	100 - 200

### IV. Cornering (driving style)

A »sporty« driving style and driving at higher speeds also cause greater wear when driving through corners.

In practice, this means that wear is increased 16-fold when the cornering speed is doubled. This is the price that has to be paid for going faster.

Example: Driving through a curve with a radius of 150 m

Speed (km/h)	Lateral acceleration (m/s <sup>2</sup> ) <sup>4)</sup>	Wear
50	1 = 0.13 x g	1
80	2.5 = 0.33 x g	6.5
100	4 = 0.53 x g	16

4) g = gravitational acceleration: 9.81 m/s<sup>2</sup>

## 5.6 Tyre maintenance

### Tyre pressure

The weight of the vehicle causes the tyre contact area to flatten. This in turn causes the running surface and the entire ply of the tyre to be continually deformed when a tyre is rolling. If the tyre is underinflated, the amount of flex is higher, resulting in a greater increase in heat and increased rolling resistance. This then leads to increased wear and poses a greater safety risk.

Example: Specified standard tyre pressure with cold tyres, according to vehicle load

Tyre pressure (bar)	Tyre pressure (%)	Tyre life (%)
2.3	100	100
1.9	80	85
1.4	60	60
1.0	40	25

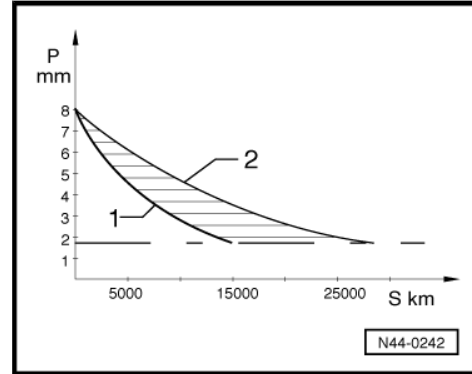


If tyre pressure is too high, this will result in poor rolling comfort and increased wear across the centre of the tread. We recommend always to maintain the tyre pressure specified by the manufacturer.



**Note**

- ◆ *The diagrams shown are not applicable in all cases.*
- ◆ *They are intended merely to give an idea of the wear rates of tyres on the front and rear axles and with front-wheel drive and four-wheel drive.*
- ◆ *The tyre service life may differ significantly, depending on operating conditions and running gear.*



**Diagram 1:**

Tread depth versus tyre life for vehicles with front-wheel drive and V-rated tyres

P - Tread depth

S - Mileage covered

1 - Front axle

2 - Rear axle

**Diagram 2:**

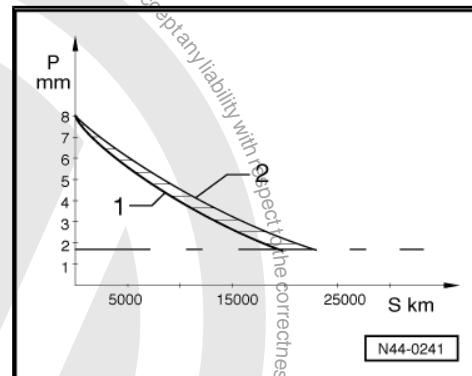
Tread depth over tyre service life for vehicles with four-wheel drive and V-rated tyres

P - Tread depth

S - Mileage covered

1 - Front axle

2 - Rear axle



Diagrams 1 and 2 show that the tread on a new tyre wears faster than that on a heavily used tyre. As the wear curve is not linear, it is not possible to estimate the tyre service life on the basis of wear after the first 5,000 km.

On front-wheel drive vehicles, the front tyres not only have to transmit the steering and driving forces, but also the greater part of the lateral and braking forces. This causes the front tyres on front-wheel drive vehicles to wear much faster than the rear tyres. Even tyre wear can be achieved by rotating (interchanging) the front and rear tyres on a regular basis. Rotating wheels  
⇒ [page 67](#).

**5.7 Evenly worn tyres**

The requirements to be met by tyres are increasing continuously.

This is caused by the following factors:

- ◆ greater vehicle weight
- ◆ high speeds
- ◆ high level of vehicle safety

Greater loads on the tyre will, of course, lead to an increase in tyre wear.





Driving style has a critical effect on tyre wear. For this reason, customer claims regarding tyre wear on evenly worn tyres are not covered by the warranty.

The effective service life of a tyre can be determined only when the remaining tread depth has reached 2 mm (see diagrams => [page 22](#) ).

## 5.8 Measuring tread depth

### Note

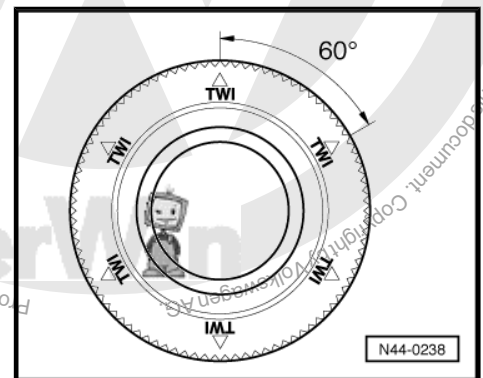
- ◆ *The tread depth is measured in the main tread channels.*
- ◆ *Do not measure at the TWIs (Tread Wear Indicators).*

Measure the tread depth in the main tread channel, at the points where the tyre is worn most heavily. The position of the TWIs can be seen at various points on the shoulder of the tyre => [Item 2 \(page 8\)](#) .

A „Δ“ or the manufacturer's „logo“ may appear in the place of „TWI“.

The bars of the TWI have a height of 1.6 mm. This is the minimum tread depth required by German law.

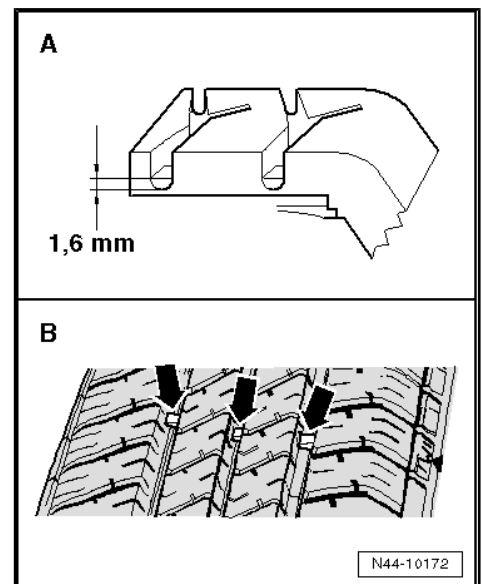
Different values may apply in other countries.



The TWIs must not be included in the measurement. Tread depth should always be measured at the deepest point of the tread channel.

A - TWIs in the main tread channels

B - Main tread channels with TWIs -arrows-



## 5.9 One-sided wear

This is often caused by driving style, but can be the result of incorrect wheel alignment.



### Increased one-sided wear

One-sided wear, usually in conjunction with signs of scuffing on the ribs of the tread and in the fine grooves, always occurs when the tyres have been allowed to roll with an extreme tyre slip angle, causing them to »rub« on the road surface.

Driving fast on a stretch of road with lots of curves will cause increased wear, in particular on the outer shoulder.

A rounded outer shoulder on the tyre in conjunction with a particularly high degree of wear on the outer tread blocks indicates fast cornering. This wear pattern is influenced by driving style.

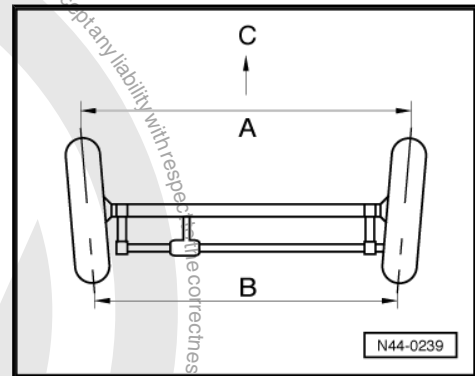
To optimise handling, the suspension is set to specified toe-in and camber values. Increased one-sided wear can be expected if tyres are allowed to roll under conditions which differ from those specified.

One-sided wear is especially likely if the toe and camber have not been set correctly. Moreover, there is a greater risk of diagonal washout.



### Toe-out or negative toe-in

Distance between front of wheels -A- is greater than distance between rear of wheels -B- (-C- = direction of travel).



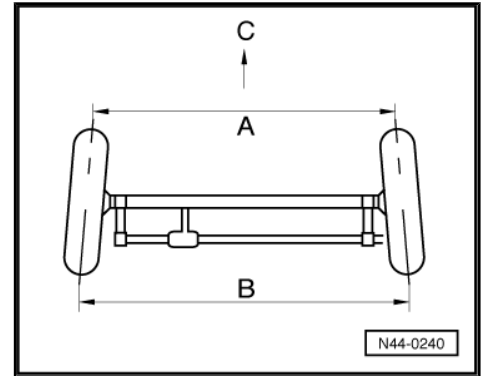


### Toe-in or positive toe

Distance between front of wheels -A- is less than distance between rear of wheels -B- (-C- = direction of travel).

To prevent one-sided wear, care must be taken to ensure that the wheel is set within the tolerance specified by the vehicle manufacturer. The most frequent deviation of the wheel alignment is caused by external influences, for example hard contact with the kerbstone when parking.

By measuring the axle geometry, you can check whether the wheel alignment is within the specified tolerances or whether it has to be corrected.



### Running gear modifications

Using „suspension-lowering kits“ and/or alloy wheels that have not been recommended by VW may result in altered wheel positions which deviate from the specified alignment.

Even if the axle geometry is correct with the vehicle stationary during wheel alignment, the changed vehicle height and wheel positions can cause the wheel suspension to move differently during operation.

Uneven wear is then unavoidable.

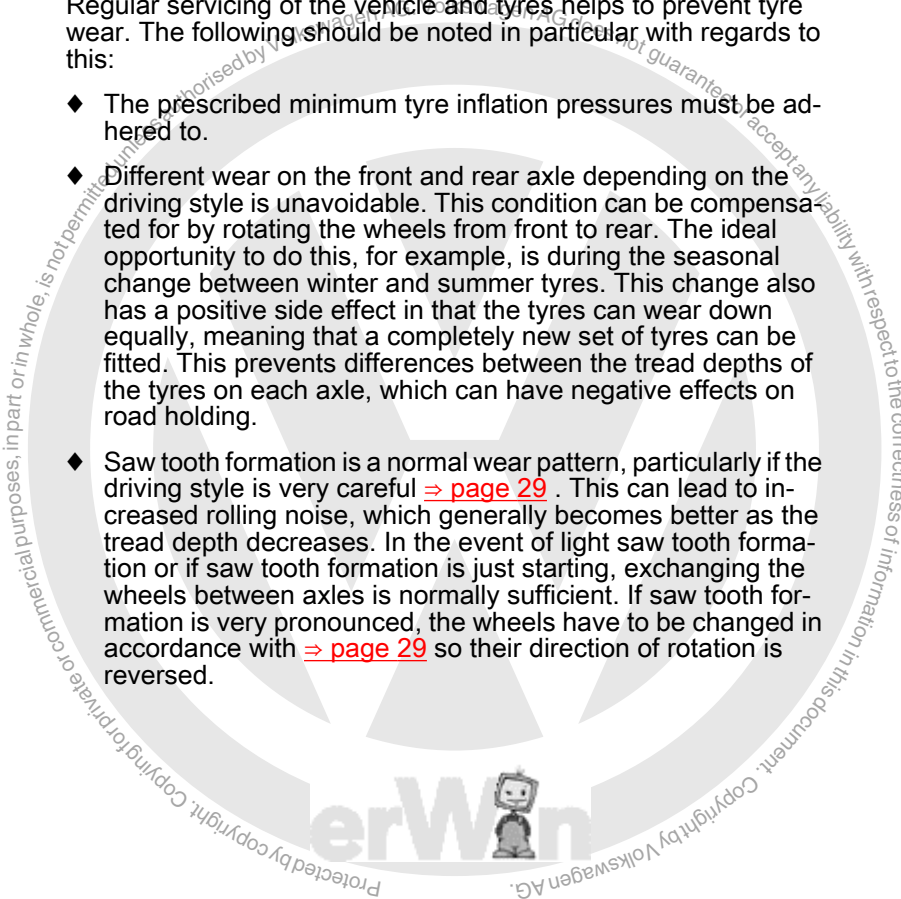
### Unsuitable use of self-levelling adjustments on pneumatic suspension system

The use of the offroad level is recommended only for driving off-road. Permanent use of the offroad level during normal road operation can lead to increased tyre wear as the height of the wheel position is different to the road level.

**The way to prevent one-sided tyre wear is to ensure the wheel alignment is correct on one hand and on the other hand to make sure the vehicle is used only for its intended purpose:**

Regular servicing of the vehicle and tyres helps to prevent tyre wear. The following should be noted in particular with regards to this:

- ◆ The prescribed minimum tyre inflation pressures must be adhered to.
- ◆ Different wear on the front and rear axle depending on the driving style is unavoidable. This condition can be compensated for by rotating the wheels from front to rear. The ideal opportunity to do this, for example, is during the seasonal change between winter and summer tyres. This change also has a positive side effect in that the tyres can wear down equally, meaning that a completely new set of tyres can be fitted. This prevents differences between the tread depths of the tyres on each axle, which can have negative effects on road holding.
- ◆ Saw tooth formation is a normal wear pattern, particularly if the driving style is very careful ⇒ [page 29](#). This can lead to increased rolling noise, which generally becomes better as the tread depth decreases. In the event of light saw tooth formation or if saw tooth formation is just starting, exchanging the wheels between axles is normally sufficient. If saw tooth formation is very pronounced, the wheels have to be changed in accordance with ⇒ [page 29](#) so their direction of rotation is reversed.





- ◆ Some tread patterns may create an impression of premature wear: if winter tyre sipes or channels in the tread are worn down, only compact profile blocks without patterns remain, thus giving the impression of a worn tyre. In this case, the remaining tread depth must be measured in each groove. If this is at or below the minimum tread depth, the tyre can continue to be used without restrictions. (In Germany, the minimum is 1.6 mm; it is recommended, and in Austria, required, that winter tyres that are worn down to 4 mm be used only in summer )

## 5.10 Outer shoulder wear

### Unsuitable use of self-levelling adjustments on pneumatic suspension system

The use of the offroad level is recommended only for driving off-road. Permanent use of the offroad level during normal road operation can lead to increased tyre wear as the height of the wheel position is different to the road level.

**The way to prevent one-sided tyre wear is to ensure the wheel alignment is correct on one hand and on the other hand to make sure the vehicle is used only for its intended purpose:**

Regular servicing of the vehicle and tyres helps to prevent tyre wear. The following should be noted in particular with regards to this:

- ◆ The prescribed minimum tyre inflation pressures must be adhered to.
- ◆ Different wear on the front and rear axle depending on the driving style is unavoidable. This condition can be compensated for by rotating the wheels from front to rear. The ideal opportunity to do this, for example, is during the seasonal change between winter and summer tyres. This change also has a positive side effect in that the tyres can wear down equally, meaning that a completely new set of tyres can be fitted. This prevents differences between the tread depths of the tyres on each axle, which can have negative effects on road holding.
- ◆ Saw tooth formation is a normal wear pattern, particularly if the driving style is very careful ⇒ [page 29](#) . This can lead to increased rolling noise, which generally becomes better as the tread depth decreases. In the event of light saw tooth formation or if saw tooth formation is just starting, exchanging the wheels between axles is normally sufficient. If saw tooth formation is very pronounced, the wheels have to be changed in accordance with ⇒ [page 29](#) so their direction of rotation is reversed.
- ◆ Some tread patterns may create an impression of premature wear: if winter tyre sipes or channels in the tread are worn down, only compact profile blocks without patterns remain, thus giving the impression of a worn tyre. In this case, the remaining tread depth must be measured in each groove. If this is at or below the minimum tread depth, the tyre can continue to be used without restrictions. (In Germany, the minimum is 1.6 mm; it is recommended, and in Austria, required, that winter tyres that are worn down to 4 mm be used only in summer )

## 5.11 Wear in middle of tyre

This wear pattern is found on the driven wheels of high-performance vehicles that are frequently driven long distances at high speeds.

At high speeds, centrifugal forces cause the tyre diameter to increase more in the middle of the tread than it does at the shoulder. This causes drive forces to be transferred to the road surface from



the centre section of the tread. This is reflected in the wear pattern.

Effects of this kind can be especially pronounced on wide tyres.

**It is not possible to counter this wear pattern by reducing the tyre pressure.**



#### WARNING

*For safety reasons, the tyre pressure must not under any circumstances be reduced below the specified tyre pressure.*

A more or less even tread wear pattern can be achieved by interchanging the tyres on the driven wheels and non-driven wheels in good time.

#### Increased tread wear

The typical tread wear pattern of tyres run on the driven wheels of a high-performance vehicle.

The increased wear in the centre section of the tread results from the extra loading associated with centrifugal forces within the tyre and the transmission of drive forces.





## 5.12 Diagonal washout

### Diagonal washout on a tyre

Diagonal washout runs at an angle of approx. 45° to the direction of rotation.

It usually occurs at one point only, but can also occur at several points around the circumference of the tyre.

Washout occurs almost exclusively on the tyres on the non-driven wheels, in particular at the rear left. Washout occurs very often on some models, while it poses no problem at all on other models. The effect is intensified by high toe-in values. Toe-in values in the region of the lower tolerance limits of the specified alignment values improve the wear pattern.

The most pronounced diagonal washout is often found in the area where the tyre components are joined.

Wheels with positive toe-in roll with a slip angle even straight ahead. This leads to a diagonal strain in the contact patch or footprint on the tyre/road surface.

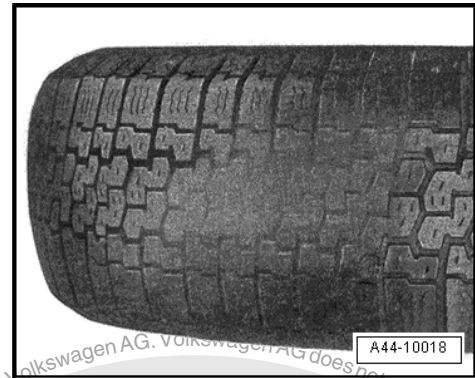
This wear pattern is intensified when tyre pressure is too low. To avoid such tread wear patterns, the toe-in values of the two rear wheels should be identical and the specified tyre pressures observed.

If you detect washout, you should fit the wheels on the driven axle, assuming the washout is identified at an early stage. Deeper washout cannot be repaired.

### Faulty adjustment

If a customer complains of „diagonal wear spots“, the toe adjustment must be examined. If toe-in is correct, the cause of the diagonal washout is very probably the tyre itself.

Tyres with diagonal washout caused by incorrectly set axle geometry at the wheels are not covered by warranty.





## 6 Tyre noise

### 6.1 General notes on tyre noise

Tyre noise that can be heard by the human ear is caused by vibrations which are transmitted by the air from the source of the sound to our ears.

Of interest here are the noises caused by certain characteristics and effects while the tyres are rolling (source of the sound).

The cause of the noise is largely dependent on the combination of the road surface and tyres.

The structure and material of the road surface will greatly affect tyre noise. For example, the noise level on a wet road is much higher than on a dry road.

The pattern of the tyre tread also has a significant influence on tyre noise. Tyres with transverse grooves at an angle of 90° generate more noise than tyres with grooves running diagonally.

Small tread blocks are unstable. Their highly pronounced deformation agitates the air as the tyres roll. This creates the air vibrations that cause tyre noise.

Wider tyres are louder. They need more tread channels to displace water. When they are rolling, these tread channels displace the air, also creating air vibrations.

Further effects that also influence tyre noise:

- ◆ „Tyre vibration“ is the principal cause of tyre noise. It is caused by the columns of air in the tread channels being agitated.
- ◆ „Air pumping“ is the compression and expansion of the air caused by the deformation of the tread blocks as the tyre contact patch moves along the road surface.

#### Useful information regarding tyre noise

Tyre noise is determined primarily by the tyres and the road surface.

The roughness, structure and material of the road surface influence tyre noise.

The widths of the tyre and the rim, among other things, influence tyre noise. Due to their larger contact area, wider tyres will cause more tyre noise than narrow tyres, as more air has to be displaced and more „mass“ is agitated to create vibrations.

A wider wheel rim will also cause a tyre to have a wider contact patch. The effect on tyre noise is thus very similar to that of a wider tyre. Moreover, the damping characteristics of the tyre may also be adversely affected by the wider wheel rim.

On vehicles with a front-mounted engine, tyre noise is more perceptible at the rear of the vehicle, as wind and engine noises are not as loud there.

### 6.2 Saw-tooth wear

Saw-tooth wear is a stepped wear pattern on the individual tread blocks ⇒ [page 30](#) that can cause increased tyre noise. The saw tooth is caused by uneven deformation of the tread blocks in the tyre's contact patch. Saw-tooth wear is more pronounced on non-driven wheels than on driven wheels.



New tyres are more susceptible to saw-tooth wear because of the greater elasticity of the high tread blocks. As the tread depth decreases, the tread blocks become more rigid and the tendency to wear in a saw-tooth pattern decreases.

#### Appearance of saw tooth

A - Tread block of a new tyre; seen in direction of motion -arrow 1-, tread blocks are equally high in front and back.

B - Development of saw teeth; seen in the direction of rotation -arrow 1-, tread blocks are higher in front -arrow 2- than in back.

C - Seen in the direction of rotation -arrow 1-, tread blocks show greater wear in the front section of the „saw tooth“ -arrow 3-.

Pronounced saw-tooth wear can lead to customers complaining about tyre noise.

Pronounced saw-tooth wear occurs under the following conditions:

- ◆ toe values are too high
- ◆ tyre pressures are incorrect
- ◆ tread is coarse and open
- ◆ tyres are fitted on the non-driven axle
- ◆ very fast cornering.

#### non-directional tyres

In the event of saw-tooth wear, the direction of rotation of the tyre must be reversed. If saw-tooth wear is especially pronounced and tyre noise has increased, interchange the tyres diagonally. This will reduce the saw-tooth effect.

On front-wheel-drive vehicles, this effect is intensified by the greater wear on the front axle.

Tyre noise will be somewhat louder immediately after the tyres have been interchanged but will return to a normal level after about 500...1,000 km have been driven.

#### Directional tyres

In the event of increased saw-tooth wear on the rear tyres – in particular on front-wheel drive vehicles – interchange the front and rear tyres. In the event of increased saw-tooth wear on the outer edges of the tyres on one axle, turn both tyres around on their rims. The left-hand wheel must then be fitted on the right side of the vehicle and the right-hand wheel on the left side.

### 6.3 Flat spots (from locking wheels)

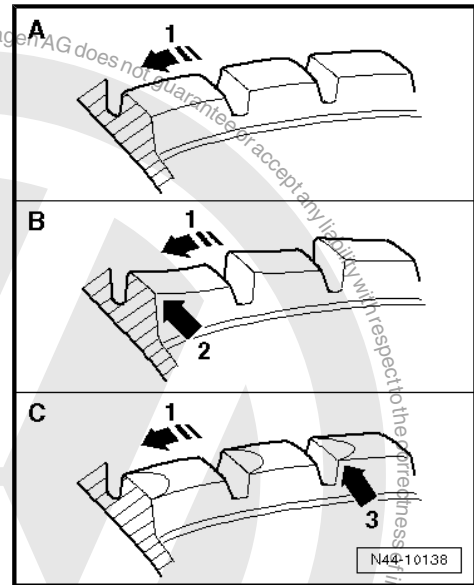
Flat spots can result from an extreme brake application which causes the wheels to lock, so that the rubber is worn off at the contact patch between the tread and the road surface.

As the tyres slide over the road surface, friction generates heat, which also reduces the wear resistance of the tread material.

Not even a highly wear-resistant tread compound can prevent the flat spots caused by violent braking.

Even ABS-controlled brake systems cannot prevent brief locking of the wheels, and thus, minor flat spots.

The degree of such wear depends largely on the vehicle speed, the road surface and the load placed on the wheel. The following examples should make this clear.







If a vehicle is braked to a standstill on a dry surface with the wheels locked, the amount of rubber worn from the tyre will cover an area the size of a postcard and will have a thickness of:

- ◆ up to 2.0 mm from a speed of 57 km/h (23.8 m braking distance)
- ◆ up to 3.3 mm from a speed of 75 km/h (41.8 m braking distance)
- ◆ up to 4.8 mm from a speed of 92 km/h (71.6 m braking distance)

#### Flat spots in tread

Tyres with such damage must no longer be used and must be renewed.





## 7 Rough running caused by wheels/tyres

### 7.1 Causes of rough running

Rough running can have a number of different causes. It can also be caused by tyre wear. Tyre wear caused by driving is not always evenly spread across the entire running surface of the tyre. This causes slight imbalances which affect the smooth running of a wheel which was previously exactly balanced.

Minor imbalances will not be felt at the steering wheel, but that does not mean that they are not there. They increase wear on the tyre and thus reduce the tyre service life.

#### Recommendation

To ensure

- optimal safety,
- smoothest possible running and
- even wear

throughout a tyre's service life, we recommend having the wheels and tyres balanced at least twice during the tyre's service life.

### 7.2 Balancing wheels

Before you start balancing the wheels, the following requirements must be met.

- The tyre pressure must be OK.
- The tyre tread must not show one-sided wear and should be at least 4 mm deep.
- The tyre must not show any signs of damage, for example cuts, piercing, foreign bodies, etc.
- The wheel suspension, steering and steering linkage, including the shock absorbers, must be in perfect condition.
- You must have conducted a road test.

### 7.3 Conducting a road test before balancing wheels

If a customer brings a vehicle to the workshop complaining about „vibration“, a road test is essential prior to balancing the wheels.

- ◆ This will give you information about the nature of the rough running.
- ◆ You will be able to determine in which speed range the rough running occurs.
- Raise the vehicle on a lifting platform immediately after the road test.
- Mark the positions of the tyres on the vehicle.

Tyre position	Marked with ...
Front left tyre	FL
Front right tyre	FR
Rear left tyre	RL
Rear right tyre	RR



- Remove wheels from vehicle.
- Balance the wheels.

## 7.4 Balancing wheels on stationary wheel balancing machine

### Clamp wheel into wheel balancing machine



#### Note

*When balancing wheels, please remember that cleanliness is absolutely essential, as indeed it is in the case of any other repair work you carry out. Only then can you attain a flawless result!*

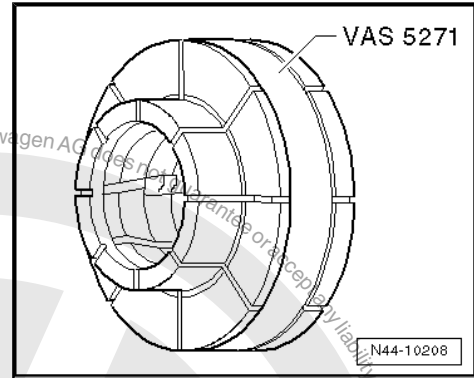
Dirt and rust in the area of the contact surfaces and centre of the wheel distort the result.

- Clean the contact surfaces, the centre of the wheel and the recess on the inside of the wheel before mounting the wheel on the wheel balancer.
- Mount the wheel with tyre on the wheel balancer.



### Note

- ◆ To clamp the wheel, use e.g. centring system for wheel balancing machines -VAS 5271- .
- ◆ This ensures that the wheel is 100% centred and that the wheel will be clamped without damage!
- ◆ The wheel cannot be centralised 100% with conical clamping elements on the wheel balancing machine.
- ◆ A deviation of 0.1 mm from the centre results in an imbalance of 10 grams at the wheel/rim.



### Procedure for balancing wheels and tyres

- Rotate wheel and tyre on wheel balancer.
- Check that the indicator lines on the sidewall of the tyre near the wheel rim flange run evenly.
- Check that the body of the tyre runs evenly while the wheel and tyre are rotating.



### Note

*If one-sided wear, flat spots from braking or severely washed out spots are apparent, balancing cannot achieve smooth running. In this case, the tyre must be renewed.*

- Check the true running of the wheel and tyre. If the wheel and tyre do not run true although there are no flat spots, radial or lateral runout may be the cause.
- Check the wheel for radial or lateral runout ⇒ [page 36](#) .
- If radial and lateral runout are within the specified tolerance, balance the wheel and tyre.



### Note

- ◆ More than 60 grams of weight per tyre should not be used.
- ◆ If more weight is required, you may be able to achieve smoother running by "matching" the tyre and rim. Matching tyres ⇒ [page 38](#) .
- ◆ The wheel balancer display should indicate 0 gram.
- ◆ As an alternative to match mounting, you could use the vibration control system -VAS 6230- ⇒ [page 35](#) .
- Bolt the wheel to the vehicle.
- First hand-tighten the lowest wheel bolt to about 30 Nm.
- Then tighten the remaining wheel bolts diagonally to about 30 Nm. This process centres the wheel on the hub.
- Lower vehicle onto its wheels.
- Now use a torque wrench to tighten the wheel bolts to the specified torque in diagonal sequence.

### Carry out road test

- After balancing the wheels and tyres, carry out a road test.



If you detect vibration during the road test, it may be due to tolerance in the wheel centring.

In unfavourable circumstances, the component tolerances of wheels and hubs could cumulate. This too can lead to vibration. This can be alleviated using a finish balancer. ⇒ [page 35](#)

## 7.5 Vibration control system -VAS 6230-

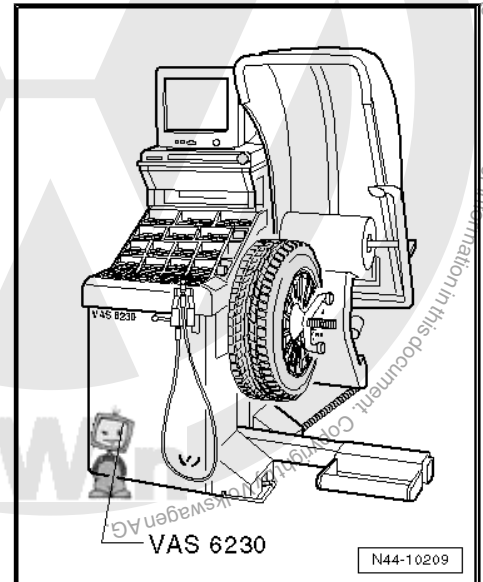
Using the vibration control system -VAS 6230- you can perform more functions than just stationary balancing.

A special feature of this system is the testing of the radial force of the wheel and tyre while rolling.

A roller presses against the wheel with a force of about 635 kg. This simulates the vertical tyre force against the road surface during travel.

Radial and lateral runout in the wheel and tyre and differences in the stiffness of the tyre cause the vertical force of the wheel to vary.

The -VAS 6230- detects and stores the position of the maximum measured radial force in the tyre. Then the position of the smallest distance between the wheel rim flange and the centre of the rim is measured.



## 7.6 Finish balancer



### Note

- ◆ *Before working with a finish balancer, the mechanic needs to have been instructed by the manufacturer of the balancer.*
- ◆ *To balance the wheels, set the wheels of the driven axle on the sensor platforms (only the front wheels of a front-wheel drive vehicle, all four wheels of a four-wheel drive vehicle).*

If you determine a residual imbalance greater than 20 grams when balancing the wheels, you should rotate the mounting position of the wheel on the hub.

- Mark the point at which the imbalance is indicated.
- Unbolt the wheel and rotate its position on the hub so that the marking points downwards.



### Note

*The hub must not rotate during this procedure.*

- First hand-tighten the lowest wheel bolt to about 30 Nm.
- Then tighten the remaining wheel bolts diagonally to about 30 Nm. This process ensures that the wheel is centred properly on the hub.
- Check whether the imbalance is less than 20 grams using the finish balancer.



**Note**

*The imbalance should always be less than 20 grams before you change the balance weight.*

- If necessary, remove the wheel bolts again.
- Rotate the wheel relative to the hub once more, turning it one or two wheel bolt holes further.
- Tighten the wheel bolts using the method described above.



**Note**

*Do not try to reduce the imbalance using balance weights until the imbalance is less than 20 grams.*

- Balance the wheels until the imbalance is less than 5 grams.
- Tighten wheel bolts to specified torque if you have not already done so.



**WARNING**

***Always tighten wheel bolts to specified torque using a torque wrench!***

## 7.7 Radial and lateral runout of wheels and tyres

Radial and lateral runout occur when the wheel and tyre do not run absolutely true.

For technical reasons, 100% true running is not possible.

Therefore, the manufacturers of these components allow a precisely determined tolerance.

Mounting the tyre in an unfavourable position on the wheel can cause the maximum allowed tolerance for wheel with tyre to be exceeded.

The table shows the maximum permissible tolerances for a wheel with mounted tyre.

### Tolerances for radial and lateral runout of wheels with tyres

Wheel with tyre	Radial runout (mm)	Lateral runout (mm)
Passenger cars	0.9	1.1 (1.3 in vicinity of lettering)

## 7.8 Checking radial and lateral runout on wheels and tyres with tyre gauge -V.A.G 1435-

### Checking lateral runout

- Preload tyre gauge about 2 mm.



- Set tyre gauge against sidewall of tyre.
- Slowly rotate the wheel.
- Note the smallest and the largest dial readings.

**i Note**

If the difference is greater than 1.3 mm, the lateral runout is too great.

In this case, you can reduce lateral runout by match mounting the tyre => [page 38](#).

Extreme values on the tyre gauge due to small irregularities in the rubber may be disregarded.

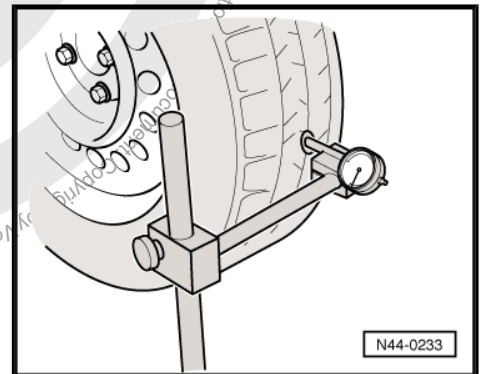
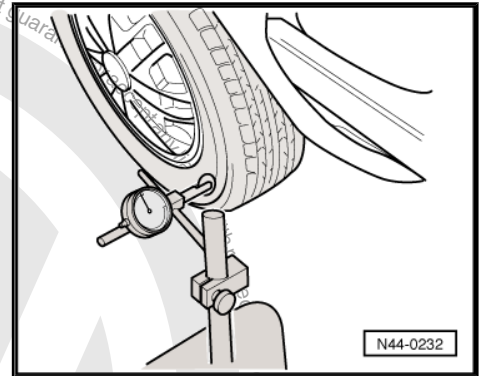
**Checking radial runout**

- Preload tyre gauge about 2 mm.
- Set the tyre gauge against the tyre tread.
- Slowly rotate the wheel.
- Note the smallest and the largest dial readings.

**i Note**

If the difference is greater than 1 mm, the radial runout is too great.

In this case, you can reduce radial runout by match mounting the tyre => [page 38](#).



**7.9 Checking radial and lateral runout on wheel rim**

- Mount the wheel on the wheel balancer .
- Use the wheel balancing machine centring system -VAS 5271- .
- Preload tyre gauge about 2 mm.
- Slowly rotate the wheel.
- Note the smallest and the largest dial readings.

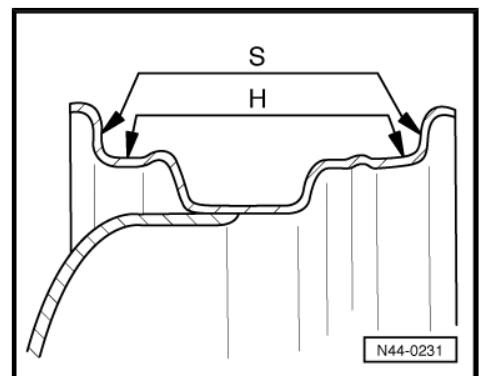
S - Lateral runout

H - Radial runout

- Compare the measured values with the specifications in the table => [page 37](#) .

**i Note**

Extreme values on the tyre gauge due to small irregularities may be disregarded.



**Specifications for radial and lateral runout on wheel rim**

Wheel rim	Radial runout (mm)	Lateral runout (mm)
Passenger Steel wheel cars	0.5	0.5



Wheel rim	Radial runout (mm)	Lateral runout (mm)
Alloy wheel	0.5	0.8



#### Note

*If the measured value exceeds the specification, acceptably smooth running cannot be attained.*

## 7.10 Matching

### General

When radial or lateral runout of the wheel and tyre coincide, the imbalance of the wheel is amplified by the tyre.

For technical reasons, 100% true running is not possible  
⇒ [page 36](#) .

Before match mounting the used wheels which are fitted on the vehicle, run the tyres warm. This will eliminate any flat spots caused by storage or handling, ⇒ [page 39](#) .

### Procedure for match mounting

- Deflate the tyre.
- Press the tyre beads off the rim flanges.
- Coat the tyre bead all round with tyre fitting paste .
- Rotate the tyre 180° relative to the wheel.
- Inflate the tyre to approx. 4 bar.
- Mount the wheel with tyre on the wheel balancer.
- Check true running, that is, radial and lateral runout.



#### Note

- ◆ *If the specified values for radial and lateral runout are not exceeded, the wheel can be balanced to 0 gram. Specified values appear on ⇒ [page 36](#) .*
- ◆ *If the radial and lateral runout is not within the specifications, the tyre must be rotated again.*
- Deflate the tyre and press off the tyre beads from the rim flanges.
- Rotate the tyre 90° with respect to the wheel (1/4 of a turn).
- Inflate the tyre to 4 bar again and check true running.



#### Note

- ◆ *If the specified values for radial and lateral runout are not exceeded, the wheel can be balanced to 0 gram.*
- ◆ *If the radial and lateral runout are not within the specified values, the tyre must be rotated again.*
- Press the tyre off the rim flanges again as described above.
- Rotate the tyre 180° with respect to the wheel (1/2 a turn).





If the radial and/or lateral runouts are still not within the specifications, check the radial and/or lateral runouts of the wheel:  
⇒ [page 37](#) .

If the measured values for radial and lateral runout of the wheel are within the specified values, the tyre has an impermissibly high radial or lateral runout. In this case, the tyre must be renewed.

 **Note**

- ◆ *After fitting the tyres there will be fitting lubricant between the tyres and the rim flanges.*
- ◆ *Therefore, severe braking and acceleration manoeuvres must be avoided for the first 100 or 200 km driven. The tyres may otherwise rotate on the rims and your work will have been in vain.*

## 7.11 Flat spots caused by storage or handling

### What is a flat spot?

The terms flat area and flats are also used for the term flat spot.

Flat spots caused by storage or handling also cause vibration in the same way as incorrectly balanced wheels do. It is important that flat spots on the tread are identified as such.

Flat spots caused by storage or handling cannot be balanced and they can reoccur at any time due to various circumstances. Flat spots caused by storage or handling can be eliminated without complicated special tools. This does not apply to flat spots caused by hard braking ⇒ [page 30](#) .

 **Note**

*Flat spots caused by hard braking cannot be repaired. Such tyres must be renewed.*

### Reasons for flat spots caused by storage or handling:

- ◆ The vehicle has been left standing in one place without being moved for several weeks.
- ◆ The tyre inflation pressure is too low.
- ◆ The vehicle was placed in a paint shop drying booth after being painted.
- ◆ The vehicle was parked with warm tyres in a cool garage or similar for a long period of time. In this case, a standing flat spot may even occur overnight.

### Eliminating flat spots caused by storage or handling

- ◆ Flat spots caused by storage or handling cannot be eliminated from the tyre using workshop equipment.
- ◆ Flat spots caused by storage or handling can be removed only by running the tyres warm.
- ◆ The method described below is not recommended in cold and wintry weather.

### Requirements and conditions:

- Check and, if necessary, correct inflation pressures.
- Drive the car on a motorway where possible.



- Traffic and road conditions permitting, drive a 20 to 30 km stretch at a speed of 120 to 150 km/h.



**WARNING**

- ◆ *Do not endanger yourself or other road users during this road test.*
- ◆ *Observe the highway code and speed limitations in force when performing the road test.*

- Raise the vehicle immediately following the road test.
- Remove the wheels from the vehicle.
- Balance the wheels on a stationary wheel balancer  
⇒ [page 33](#) .





## 8 Vehicle pulls to one side

### 8.1 General

Perform a road test to determine whether a vehicle is pulling to one side and if so, which side. If the vehicle pulls to one side => [page 42](#) .

When wheel alignment is checked, include the wheel alignment test results in tyre complaint report.

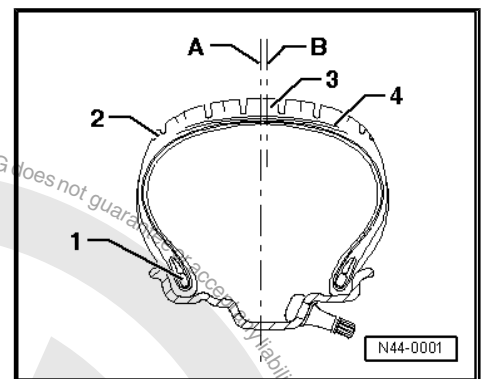
Manufacturer's tolerances can lead to a slight amount of taper (asymmetry) in the tyre carcass. The rolling tyre then develops a lateral force which acts directly on the wheel suspension, leading to self-steering of the vehicle. Strategic rotation of the wheels can balance out this self-steering behaviour.

### 8.2 Conicity

Conicity is caused by a slight offset of the tread and/or the belt (amounting to a few tenths of a millimetre) relative to the geometric centre of the tyre. Taper is not visible and cannot be measured with equipment available in the workshop.

#### Parts of a tyre

- 1 - Bead
- 2 - Shoulder
- 3 - Tread
- 4 - Steel cord belt
- A - Geometrical centre of tyre
- B - Actual centre of belt. It can be offset to inside or outside.



Protected by copyright. Copying for private or commercial purposes, in part or in whole, is not permitted unless authorised by Volkswagen AG. Volkswagen AG does not guarantee the accuracy or reliability with respect to the correctness of information in this document. Copyright by Volkswagen AG.



Exaggerated for clarity.

1 - Offset of belt and tread

F1 - Unequal vertical wheel forces

F2 - Unequal vertical wheel forces

Fk - Conicity force

The offset produces differences in stiffness at the inner and outer shoulders of the tyre, resulting in differing vertical wheel forces. Consequently the belt or tread will not be pressed onto the road surface with the same force (F1, F2). A conical, or tapered, shape develops. The resulting force (conicity force Fk) can, depending on the speed, become so great that the vehicle then pulls to one side.

If the force Fk on one wheel of the axle is, for example, 50 Newton, and also 50 Newton on the other wheel, and both forces are exerted in the same direction, the forces are cumulated. Reversing a tyre on the rim can compensate for the lateral pull because the forces then act in opposite directions.

Because the direction in which the force of taper is exerted is not visible, only road tests and strategic rotation of wheels and tyres can establish which tyres cause the pulling.

The tyre consists of numerous components and materials which are vulcanised to form a single part at the end of a complicated manufacturing process. The result is differing production tolerances which make themselves noticeable through more or less strong lateral forces (conicity forces). These forces can also occur in new tyres.

#### **Pulling to one side on front axle**

Pulling to one side can be caused by the running gear. However, experience shows that in 90% of all complaints, the tyres cause pulling to one side.

#### **Pulling to one side during normal driving**

On a straight, level road surface, the vehicle wants to pull to one side at a constant speed or with moderate acceleration. Force can be felt at the steering wheel.

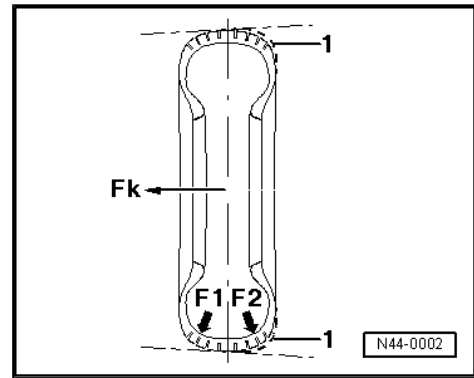
#### **Pulling to one side during fast acceleration**

Pulling to one side during fast acceleration is, in part, due to the basic design of vehicles with front wheel drive. Different friction levels at the left and right wheels or possible irregularities in the road surface (potholes) and consequently varying road adhesion have a substantial influence on the handling characteristics. This does not constitute a complaint which is covered by the warranty.

### **8.3 Remedies when vehicle pulls to one side**

#### **Test conditions before and during the road test:**

- Check all suspension components on the front and rear axles for damage.
- Check tyre pressure and correct if necessary.
- Check the tyres for external damage. Punctures, cuts, bubbles on the sidewalls, flat spots from braking and/or damage to the tread.
- Ask the customer if the tyre had been damaged by a nail or similar object and was repaired by a tyre dealer. It may be necessary to renew such tyres.





- Check tyres for even wear and tread depth.
- Are all tyres of the same type, manufacture and tread pattern?
- If the tyres are non-directional, ensure that all DOT classifications on the tyre face outwards. The wheels and/or tyres on the vehicle may have already been changed around at an earlier date.
- Is the make of tyre approved by the factory as original equipment?
- Perform the road test on a road which is level, straight and ungrooved and does not drop off to one side.
- Perform the road test with the customer under the conditions specified above. Ask the customer to demonstrate the problem.



**Note**

*There must be no cross wind during the road test.*

If the complaint is justified, we recommend rotating the wheels and tyres as described below.

Before you begin, observe the following notes; otherwise your efforts may not have the desired effect.



**Note**

- ◆ *Mark the tyres before the first rotation, e.g. FR, FL, RR, RL.*
- ◆ *After rotating wheels or reversing the tyre on its rim, you must observe very carefully how the vehicle behaves during the road test. Note how and what was changed.*
- ◆ *Assess the intensity of or a possible change in the tendency to pull to one side.*
- ◆ *For this purpose, it is important that the road tests are always performed by the same person on the same road. It is best to drive the „test course“ in both directions.*
- ◆ *Replacing a tyre with a new tyre does not guarantee that pulling to one side will be eliminated. Therefore it is recommended as a first step to carry out the strategic rotation of the wheels as described below.*
- ◆ *If there are large differences in the tread depth of the tyres on the front and rear axles, the tyres with the deeper tread should always be mounted on the front axle.*

### 8.4 Strategic rotation of wheels for non-directional tyres

↓	
Perform a road test to determine if the vehicle pulls to one side and if so, which side.	
↓	
If the vehicle pulls to one side, interchange the front wheels.	
↓	
Carry out road test	
Vehicle travels in a straight line - END	
Vehicle pulls to other side	Vehicle pulls to the same side
↓	↓



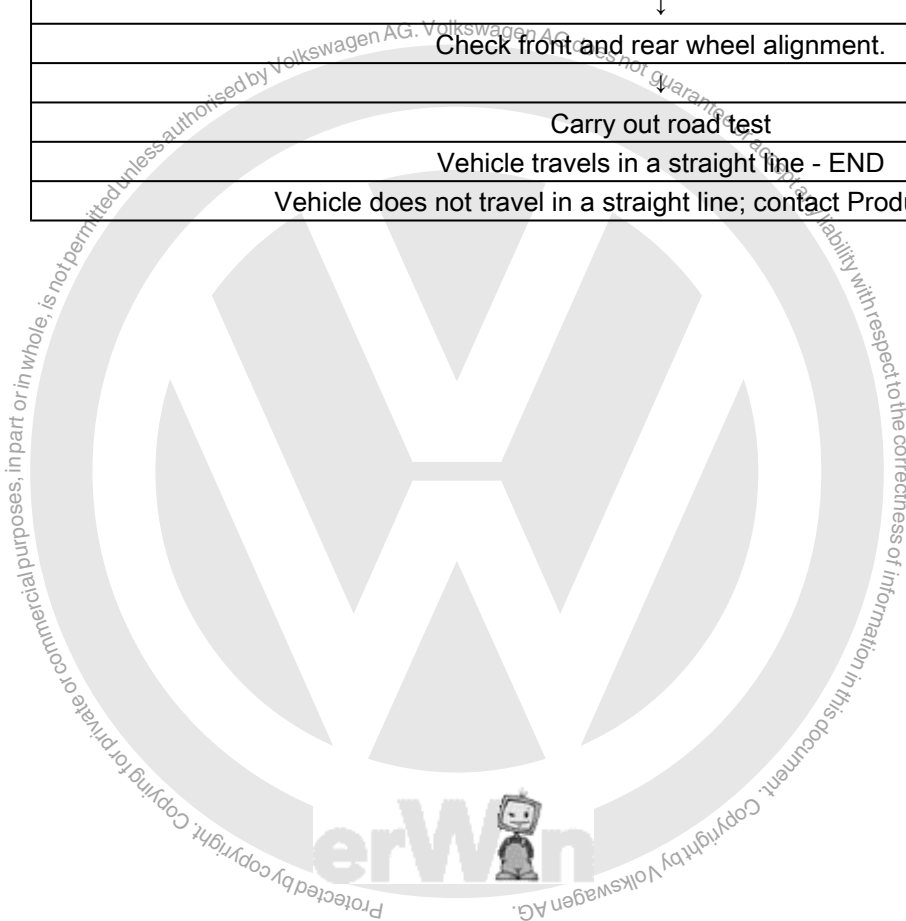
Reverse one front tyre on its rim (direction of rotation is reversed).		Interchange front and rear tyres.	
↓		↓	
Carry out road test		Carry out road test	
Vehicle travels in a straight line - END		Vehicle travels in a straight line - END	
Vehicle does not travel in a straight line.		Vehicle does not travel in a straight line.	
↓		↓	
Interchange the front and rear wheels.		Vehicle pulls to other side	No change
↓		↓	↓
Carry out road test		Reverse one front tyre on its rim (direction of rotation is reversed)	Check alignment of front and rear wheels and adjust if necessary. If the alignment is correct, contact Product Support.
Vehicle travels in a straight line - END			
Vehicle does not travel in a straight line.			
↓		↓	
Interchange front wheels.			
↓		↓	
Carry out road test		Carry out road test	
Vehicle travels in a straight line - END	Vehicle does not travel in a straight line.	Vehicle travels in a straight line - END	
	↓	Vehicle does not travel in a straight line.	
Mount new tyres on front axle		Mount new tyres on front axle	
↓		↓	
Carry out road test		Carry out road test	
Vehicle travels in a straight line - END		Vehicle travels in a straight line - END	
↓		↓	
Vehicle does not travel in a straight line; contact Product Support.			

## 8.5 Strategic rotation of wheels having unidirectional tyres

↓
Perform a road test to determine if the vehicle pulls to one side and if so, which side.
↓
If the vehicle pulls to one side, interchange front and back wheels with tyres.
↓
Carry out road test
Vehicle travels in a straight line - END
Vehicle does not travel in a straight line.
↓
First renew one tyre on the front axle.
↓
Carry out road test
Vehicle travels in a straight line - END
Vehicle does not travel in a straight line.



↓
Renew other tyre on the front axle.
↓
Carry out road test
Vehicle travels in a straight line - END
Vehicle does not travel in a straight line.
↓
Check front and rear wheel alignment.
↓
Carry out road test
Vehicle travels in a straight line - END
Vehicle does not travel in a straight line; contact Product Support.





## 9 Tyre damage

### 9.1 General information

As tyre damage can have serious consequences, you and the driver should regularly check the tyres to identify any problems at an early stage.

Damaged tyres cannot withstand driving conditions such as high speed, long distances, sporty driving, and so on.

Damage can be caused in a number of ways:

- ◆ Driving with insufficient tyre pressure
- ◆ Assembly error when tyres were fitted on rims
- ◆ Damage by embedding objects
- ◆ Ageing
- ◆ Improper storage



#### WARNING

*Whenever a safety risk cannot be ruled out, the tyre must be renewed.*







## 9.2 Construction of a radial belted tyre

### Cross section of a radial belted tyre

1 - Tread block

2 - Tread groove

3 - Tread

4 - Nylon ply

5 - Belt layers

- Usually made of steel

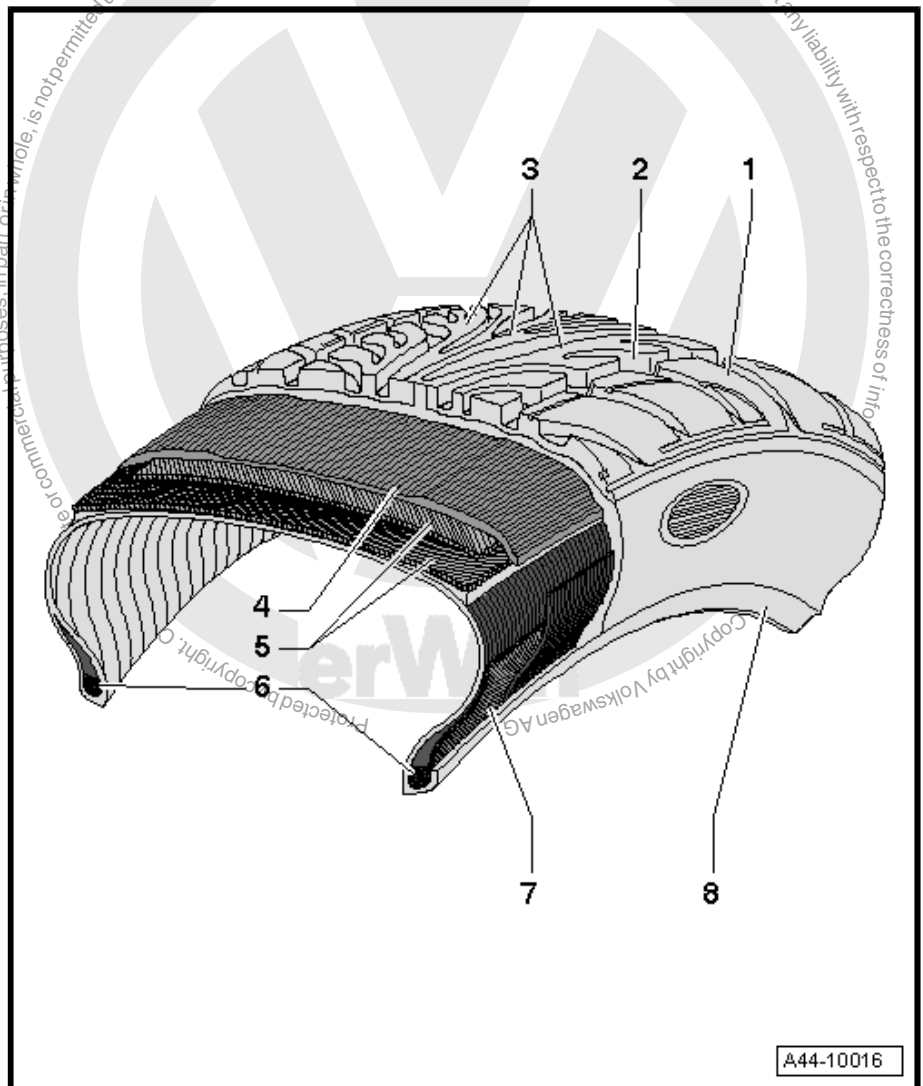
6 - Bead core

- Consists of steel wires vulcanised into rubber.
- Ensures secure seating of the tyre on the rim.

7 - Bead filler

8 - Rim flange protection

- Protects the rim and tyre from abrasion from, for example, contact with the kerb
- Tyres with Maximum Flange Shield (or rim protector bar) are marked with the abbreviation MFS.



The nylon ply -4-, belt layers -5-, bead cores -6- and bead filler -7- form the carcass. The carcass is the „load-bearing structure“ of the tyre.

## 9.3 Impact damage

A swelling in the sidewall of the tyre indicates that the substructure of the carcass has been damaged.

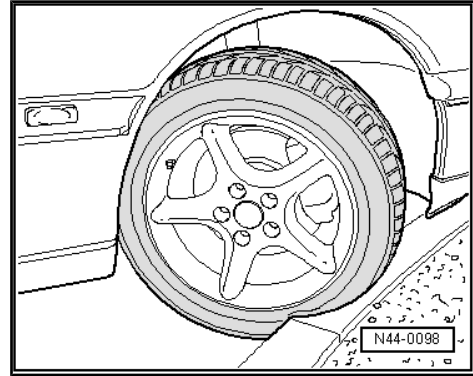


Typical causes for such damage include, for example, driving over kerbs at a sharp angle.

Pinching the tyre in this way can damage the carcass.

The substructure of the tyre is stretched so far that individual fibres in the carcass may be broken.

The extent of the damage depends on the speed of impact, the angle of impact, the tyre pressure, the axle load and the type of obstacle.

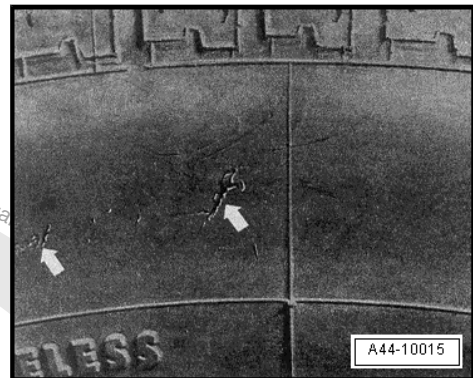


### Pinch marks on tyre sidewall -arrows-



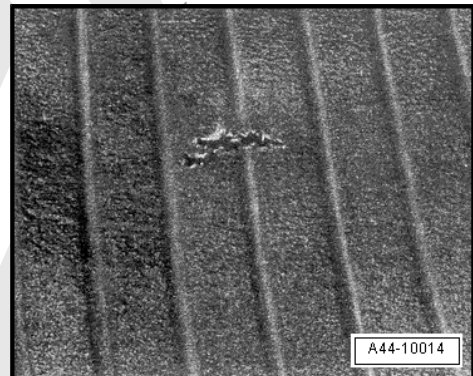
#### Note

- ◆ *Driving over kerbs should be avoided.*
- ◆ *If you cannot avoid driving over a kerb, you should do so very slowly and as square-on as possible.*



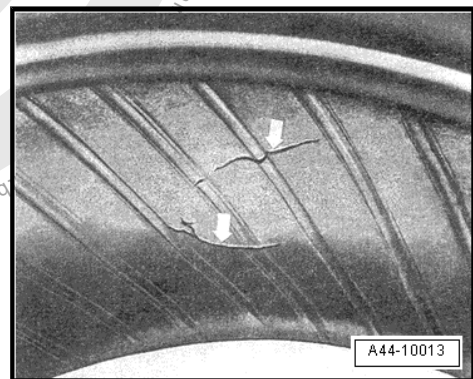
### Interior view of a tyre with a punctured carcass

Due to a severe impact, the carcass was pinched on the wheel rim flange and is ruptured in the contact area.



### Damage inside tyre due to impact injury (double rupture)

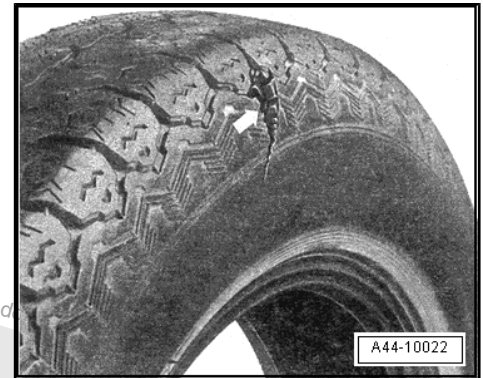
Double rupture -arrows- caused by pinching when a kerb was driven over. Often not detectable from outside.





## 9.4 Cuts

Cut caused by a sharp-edged obstacle -arrow-



## 9.5 Damage caused by foreign bodies

Driving over hard, pointed objects like nails, screws and the like can pierce the tyre.

This always leads to tyre damage.

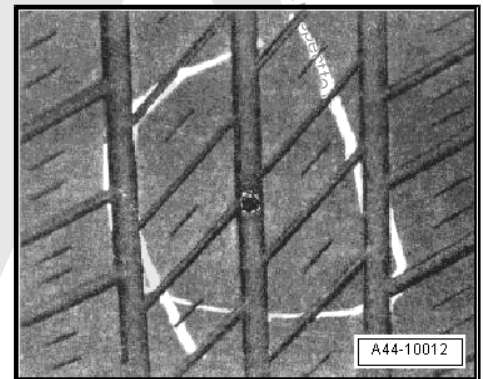
### Damage due to embedded foreign body

Often, the object -marking- is so securely embedded in the tyre that it will not free itself even at higher speeds. Consequently, it can act as a plug and seal the tyre relatively well. This results in a gradual loss of pressure, which the driver will not notice immediately, but which can lead to sudden and complete tyre failure.



#### Note

*No repair should be attempted on a steel-belted tyre of which the structure has been punctured by a foreign body.*



## 9.6 Loss of air from tyre

If the customer complains of a loss of air from a tyre, it is essential that you check for embedded foreign bodies.



#### Note

*No repair should be attempted on a steel belted tyre of which the structure has been punctured by a foreign body.*

Corrosion can develop on the steel wires. This will always lead to the separation of the rubber from the steel belt.

Generally, one cannot determine when the foreign body was embedded. The tyre structure may already have been damaged as a result of driving with insufficient tyre pressure.

Damaged belt wires will sooner or later lead to separation of the rubber from the steel belt. As a result, the tyre can fail completely at some point long after the tyre was first damaged.

Tyre damage caused by foreign bodies is not covered by the warranty.

## 9.7 Tyre pressure

The tyre pressure must be checked regularly. We recommend checking the tyre pressure every two weeks. The correct tyre pressure is especially important on long trips or when carrying a



heavy load. A sporty driving style also requires correct or even slightly increased tyre pressure.

### Slow loss of tyre pressure

The slow loss of tyre pressure is especially problematic because even experienced drivers often do not notice it.

Insufficient tyre pressure and the related increase in flexing (internal friction) cause the tyre material to heat up considerably and may lead to the separation of the various components and rubber compounds.

In the end, the tyre is usually destroyed completely  
⇒ [page 50](#) .

The cause for the slow pressure loss cannot always be determined because the tyre is severely damaged and structural components of the tyre are missing.

## 9.8 Tyre damage due to insufficient tyre pressure

The most common causes for tyre failure are minor external damage, a defective valve or a leaking rim due to corrosion or damage.

### Separation of carcass and rubber

Excessive heating due to driving with substantially insufficient tyre pressure ⇒ [page 51](#) led to overheating and subsequent separation of the carcass from the rubber material -arrows-.

The tyre shown here was periodically driven with an inflation pressure which was insufficient for the load. Typical evidence for this is the circumferential scuffing along the bead caused by the wheel flange and also the discolouration. Small, furrowed creases are visible along the inside of the sidewall.

When the tyre rolls, strong shear forces develop between the layers of steel cord, especially at the ends of the belts.



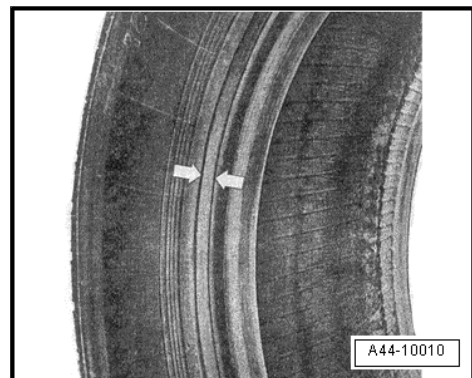
### Tyres with wide, circumferential furrows near the bead

Wide, circumferential furrows near the bead -arrows- indicate that the tyre was driven with insufficient pressure.

Driving a vehicle with insufficient tyre pressure or ignoring or not recognising tyre damage can have serious consequences.

The tyre can no longer withstand the forces which develop when the vehicle is driven.

The defects mentioned above severely restrict the function of the tyre. The rubber compounds separate, which results in the partial separation of tyre components or even its complete destruction.





### Tyres with stripped profile

Such damage usually develops over a longer period of time. If an already damaged tyre is exposed to high stress, the centrifugal forces which occur at high speeds can tear components off the tyre.

The figure shows a tyre with stripped tread due to travel with insufficient tyre pressure.



## 9.9 Rising tyre temperature caused by insufficient inflation pressure

The graph shows the temperature development of a tyre at a speed of 180 km/h.

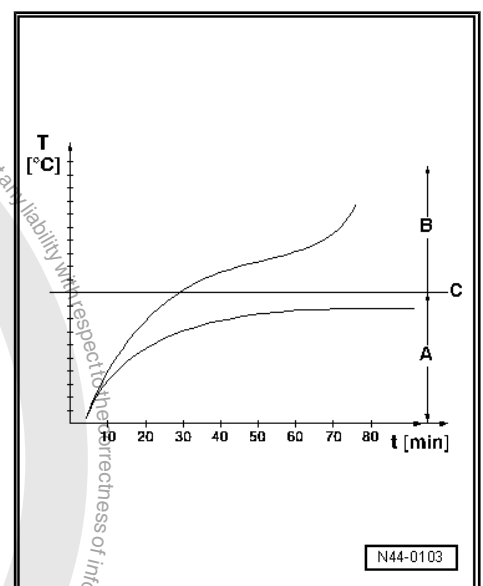
A - When specified tyre pressure is maintained, the temperature will remain stable.

B - Danger zone: When tyre pressure is 0.3 bar below specification, the temperature rises to above 120° C at higher speeds.

C - Critical temperature threshold: A tyre defect will develop.

T - Temperature in °C

t - Travel time in minutes





## 9.10 Tyre damage due to fitting error (fitting damage)

### Bead core broken during tyre inflation.

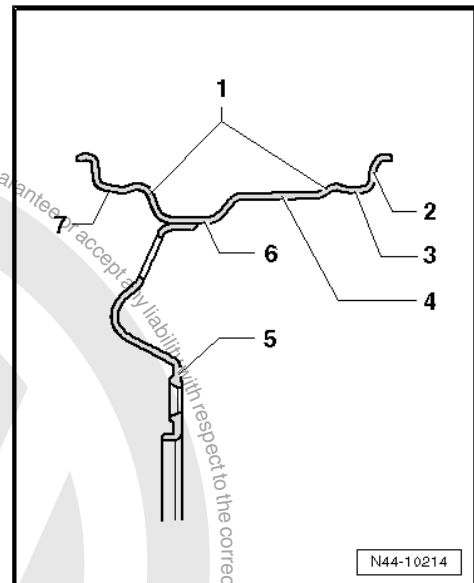
Modern radial tyres for passenger cars are mounted only on safety rims. Safety rims have a hump -1- running along the bead seat.

- 1 - Hump (double hump H 2), extended double hump (EH2)
- 2 - Wheel rim flange
- 3 - Inner rim shoulder (e.g. tapered rim shoulder)
- 4 - Rim
- 5 - Wheel
- 6 - Well
- 7 - Outer rim shoulder (e.g. tapered rim shoulder)

The hump prevents the tyre from being pressed out of the rim shoulder during travel with insufficient tyre pressure.

When the tyre is inflated, the bead of the tyre may not slip completely over the outer rim hump.

In this case, there is a danger of the bead core becoming overstretched if the tyre pressure is too high. The steel wires would then rupture partially or completely. A broken bead core cannot be detected from the outside.



### Special requirements for tyres with run-flat properties

Wheel rims with a raised double hump (Extended Hump EH2) are prescribed for tyres with run-flat properties (reinforced side walls) ⇒ [page 58](#) . The raised double hump prevents the deflated tyre from slipping off its seat on the wheel rim when the tyre is run deflated.



#### Note

To avoid damage, always observe the notes/instructions when fitting/removing tyres with run-flat properties ⇒ Running gear, axles, steering; Rep. gr. 44 ; Fitting and removing tyres with run-flat properties .



#### WARNING

- ◆ Tyres with damaged bead cores are not seated safely and securely on the rim. Such tyres are a safety risk!
- ◆ In addition, there is a risk of the partly broken bead core breaking apart during continued operation and the tyre could suddenly tear open. If the bead core breaks during inflation, the carcass will also be destroyed.



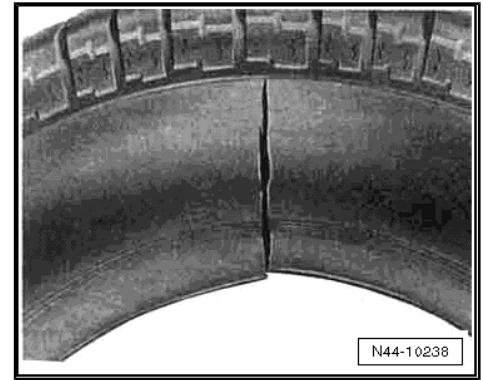
### Tyre with broken bead core and destroyed carcass

The figure shows a tyre with a broken bead core and destroyed carcass as a result of excess pulling force during fitting.

### Bead damage due to faulty or incorrect tyre fitting with tyre-fitting machine

The following errors, which may occur when tyres are fitted, can lead to severe tyre damage:

- ◆ If the opposite tyre bead is not seated completely in the rim well when the upper bead is rolled in on the tyre fitting machine. ⇒ [page 52](#) .
- ◆ If the fitting head is improperly adjusted.
- ◆ If the edge of the fitting roller rolls onto the bead.
- ◆ If the guide rollers are worn or have sharp edges.



### If the tyre bead is split.

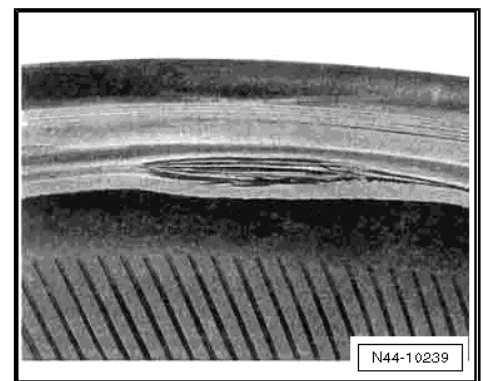
In these cases, the bead, which is under great tension, can be cut into in the direction of rotation, split and/or be pinched off down to the core wire.

It is often possible to identify the tracks of the guide roller as it was applied or ran off where the damage occurred.



#### Note

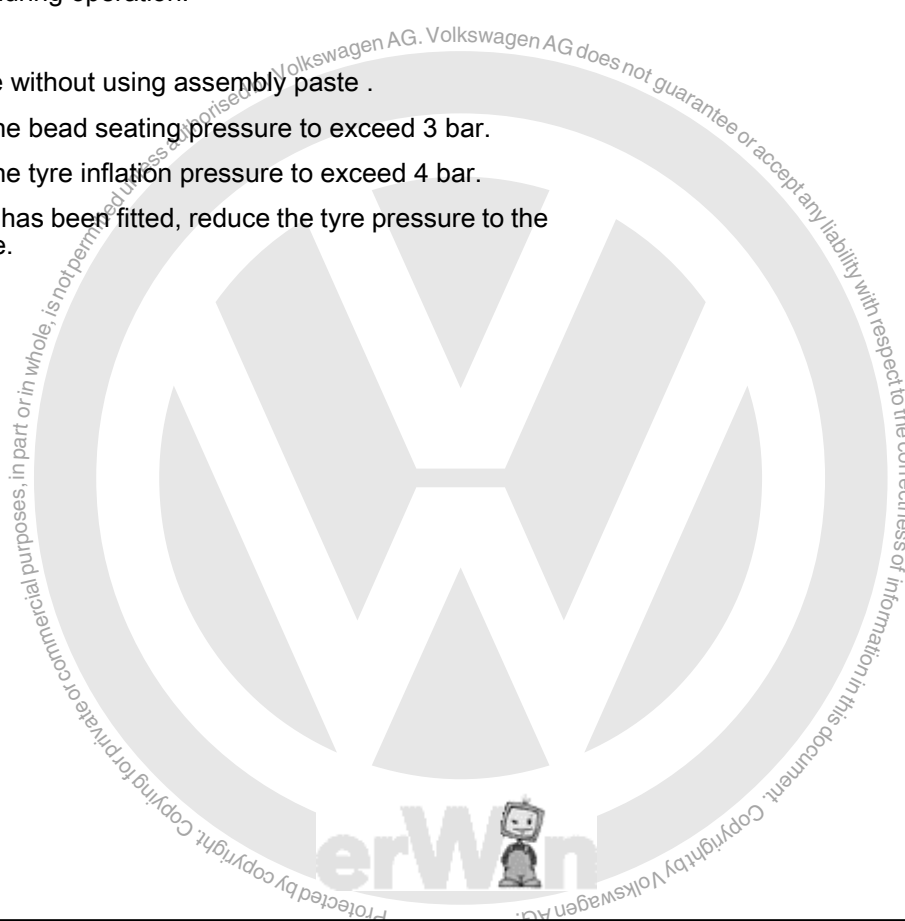
*Both tyre beads as well as the rim shoulders must always be coated with assembly paste .*



If fitting damage remains undetected, there is a danger that the tyre will fail later during operation.

### THEREFORE!

- ◆ Never fit a tyre without using assembly paste .
- ◆ Do not allow the bead seating pressure to exceed 3 bar.
- ◆ Do not allow the tyre inflation pressure to exceed 4 bar.
- ◆ When the tyre has been fitted, reduce the tyre pressure to the specified value.





## 10 Tyres with run-flat properties

### 10.1 General

Tyres with run-flat properties have reinforced side walls when comparing them with normal tyres. This reduces the slippage of the side walls and prevents the tyre flanks sticking when the tyres are run deflated. This ensures the vehicle remains controllable and the vehicle has almost normal driving characteristics. The alleviates the necessity to fit the spare wheel in dangerous conditions e.g hard shoulder of a motorway or in bad weather conditions.

A deflated tyre can be driven further to the next workshop (approx. 50 km (approx. 30 miles)) at a suitable speed (max. 80 km/h (max. 50 mph)) and in suitable driving style for the conditions, see ⇒ Owner's wallet .

After checking the respective wheel, the responsibility lies with the driver to decide if it is safe to drive further with the deflated tyre.

#### -I- Tyres with normal air pressure

- 1 - Tyres with run-flat properties (reinforced side walls -red-)
- 2 - Normal tyres

#### -II- Deflated tyre

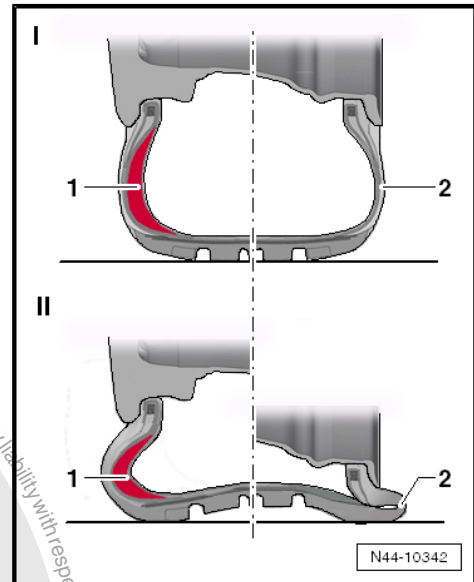
When a normal tyre -2- deflates, the side walls are pressed against the wheel rims. The side walls heat up extremely or stick and are therefore destroyed when the tyre is deflated.

Tyres with run-flat properties -1- are supported on the reinforced side walls (-red-). A special tyre mixture and the reduced walkability of the reinforced side walls reduces the heat created when the tyre is run and the vehicle remains controllable.



#### Note

Please note the special requirements when using tyres with run-flat properties ⇒ [page 55](#) .







## 10.2 Design and identification

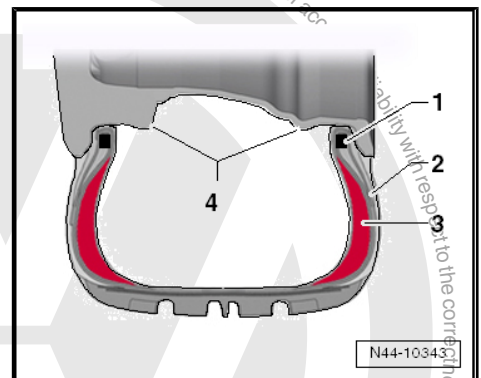
### Identification

Distinguishing features: tyres with run-flat properties can be identified by one of the following abbreviations DSST, Euforia, RFT, ROF, RSC, SSR or ZP. The abbreviation is located on the flank of the tyre following the tyre designation of the respective tyre manufacturer.



### Body

- 1 - Beading with beading core
- 2 - Side wall
- 3 - Reinforced side wall
- 4 - Wheel rim with extended hump (EH2) on both sides - prerequisite when using tyres with run-flat properties



## 10.3 Retrofitting/requirements when using run-flat tyres



### Caution

***Retrofitting run-flat tyres to VW models may only be undertaken if the tyres are fitted as standard or they are available as an option.***

These tyres may only be used on vehicles with a tyre pressure monitoring system as a pressure loss in the tyres is not always visible. This system warns the driver when an inflation pressure is less than a certain inflation pressure.

Permitted are:

Direct measuring systems ⇒ Running gear, axles, steering; Rep. gr. 44 ; Tyre pressure monitor

Indirect measuring systems ⇒ Running gear, axles, steering; Rep. gr. 44 ; Tyre pressure monitor

Tyres with run-flat properties may only be fitted on disc-type wheels with raised double hump (Extended Hump - EH2)  
⇒ [page 58](#) .



The special fitting/removal instructions must be observed ⇒ Running gear, axles, steering; Rep. gr. 44 ; Fitting and removing tyres with run-flat properties .

A mixed installation with standard tyres is not permitted, even on same axle.

Only in exceptional circumstances may a standard tyre be fitted e.g. for a short period or a limited distance. The special run-flat characteristics are lost, the driver must always be informed.

**Please observe the recommended tyre manufacture**  
⇒ [page 494](#) and ⇒ [page 529](#) .

## 10.4 Repairs



### WARNING

- ◆ ***Tyres with run-flat properties must be replaced after they have been run deflated.***
- ◆ ***The special fitting/removal instructions must be observed ⇒ Running gear, axles, steering; Rep. gr. 44 ; Fitting and removing tyres with run-flat properties .***

### General information

- As with standard tyre/wheel systems, the disc-type wheel must also be checked before fitting.
- The disc-type wheel must be checked (for true running, runout and other damage) after a tyre has been run deflated ⇒ [page 37](#) , as a pot-hole etc. could cause damage the disc-type wheel rim.
- Damaged disc-type wheels must be renewed.



## 11 Rolling resistance optimised tyres

The energy loss caused by the deformation of the tyre when rolling is known as rolling resistance.

With rolling resistance optimised tyres the deformation is greatly reduced by a revised design and the use of optimised tread compositions.

Volkswagen BlueMotion and BlueMotion technology models are fitted with tyres with an optimised rolling resistance and all other safety and customer relevant properties are of the latest level of development.

The respective approved makes of tyres are listed in the following chapters ➔ [page 494](#) .





## 12 Facts about disc-type wheels (passenger cars)

### 12.1 Design of disc-type wheel

#### 1 - Wheel rim flange

- Stop for tyre side beading

#### 2 - Hump (H2) on both shoulders of rim

- Prevents the tyre slipping off the shoulder of the rim while driving through tight bends
- Extended hump (EH2) - prerequisite when using tyres with run-flat properties => [page 58](#)

#### 3 - Well

- Eases fitting/removal of tyre

#### A - Width of wheel rim

- Distance between tyre contact surfaces on both rim edges of wheel
- Dimensions in inches

#### B - Wheel rim diameter

- Distance between tyre contact surfaces on opposite tyre shoulders
- Dimensions in inches

#### C - Wheel offset

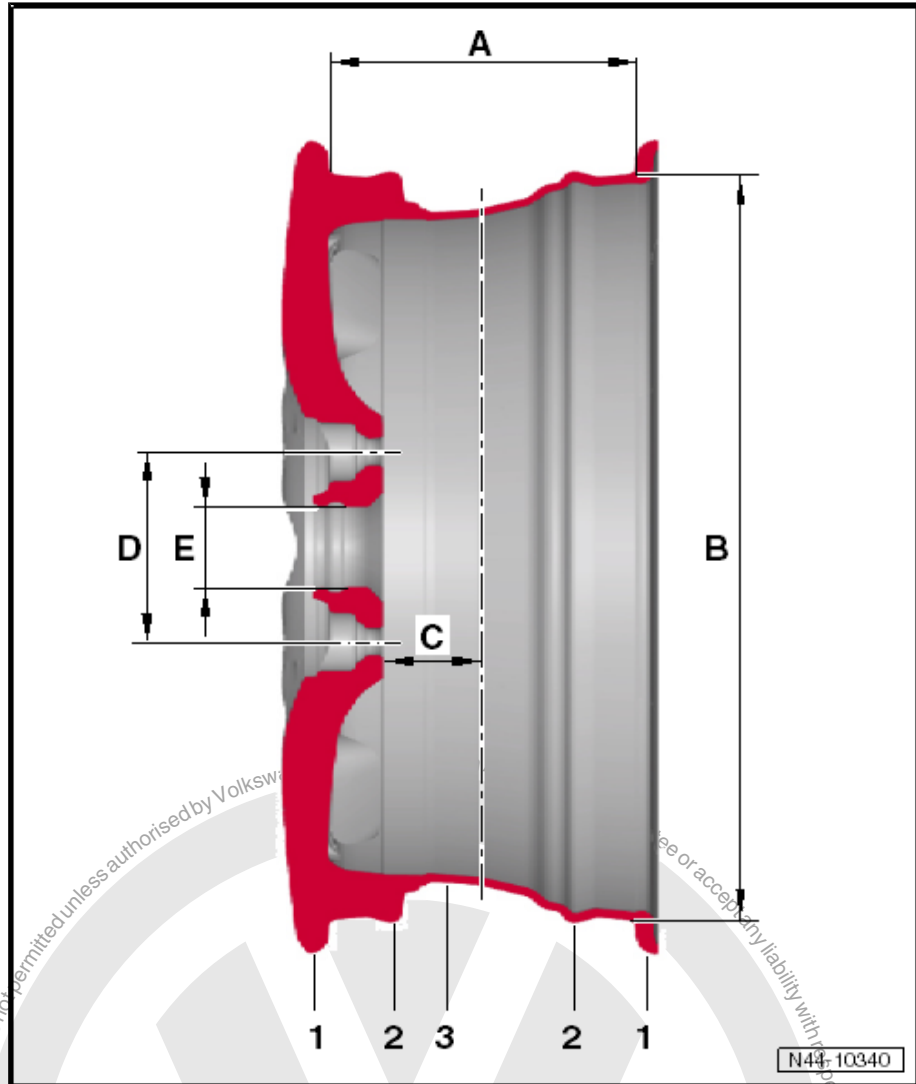
- Vertical distance between centre of wheel and wheel inner contact surface
- Dimensions in mm

#### D - Pitch circle diameter

- Diameter of circle for wheel bolt holes
- Dimensions in mm

#### E - Centre hole

- Used to centralize
- Dimensions in mm



### 12.2 Data on wheel rims

There are several items of information on the wheel rims. The following example shows the information needed for unambiguous identification of the wheel:

Part number:	6E0 601 027 A
--------------	---------------



Wheel size:	6 J x 15 6 - Rim width in inches J - Shape of wheel rim flange 15 - Rim diameter in inches
Wheel offset in mm:	43
Data on hump of rim shoulder:	EH2 Extended Hump <sup>1)</sup>

<sup>1)</sup> Raised round hump on both rim shoulders. These ensure that when run-flat tyres are used without air pressure, they will not slip from rim shoulder. Rims with EH2 are required only if tyres with run-flat properties are fitted! ⇒ [page 54](#)

## 12.3 Wheel rims - pitch circle diameter

Pitch circle diameter	Model		
100 mm	Polo 2010 >		
	New Beetle 1999 >	New Beetle Cabriolet 2003 >	
	Fox 2006 >		
112 mm	Phaeton 2003 >	Passat 2006 >	Golf 2004 >
	Sharan 2011 >	Eos 2007 >	Golf Plus 2005 >
	Jetta 2006 >	Touran 2003 >	Cross Golf 2007 >
	Tiguan 2008 >	Cross Touran 2008 >	Golf Variant 2008 >
	Scirocco 2009 >	Passat CC 2009 >	Golf 2009 >
130 mm	Touareg 2010 >		

## 12.4 Split rim composite wheels

Split rim alloy wheels consist of several parts.

The major parts are the rim and the wheel centre. These parts are bolted together with special bolts using a special process. This ensures that the wheel functions properly, that it is sealed and safe and that it runs true. These requirements are not guaranteed with workshop materials and under workshop conditions.



### WARNING

*You must not dismantle or repair composite wheels!*

## 12.5 Alloy wheels with exchangeable trim elements

These wheels are fitted with exchangeable trim elements. Follow these instructions during installation.

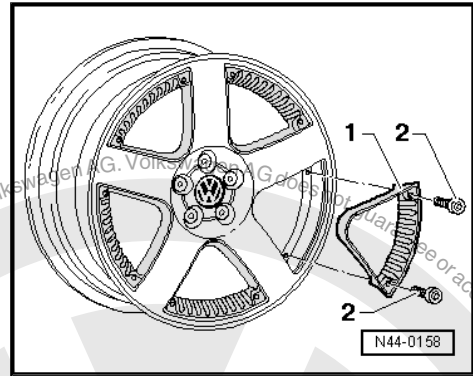




- Clean the thread in the wheel before screwing in the new bolts.
- Always use new bolts!

- 1 - Trim element
- 2 - Hexagon socket head bolt

Torque setting for self-locking hexagon socket head bolts: 5 Nm

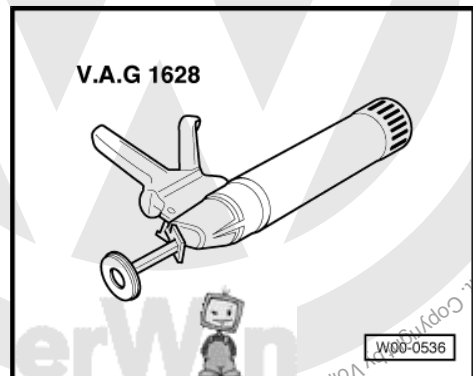


## 12.6 Alloy wheels with exchangeable trim elements (Zaragoza)

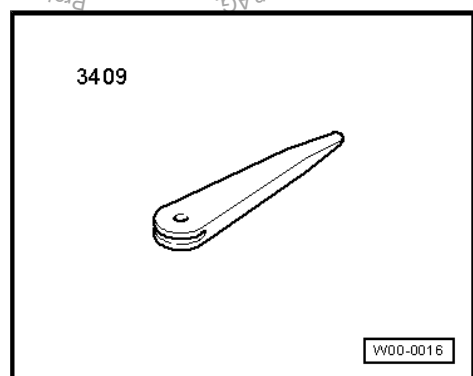
### 12.6.1 Tools

#### Special tools and workshop equipment required

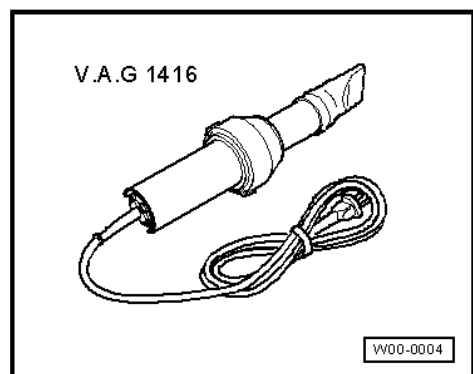
- ◆ Cartridge gun -V.A.G 1628-



- ◆ Removal wedge -3409-



- ◆ Hot air blower -V.A.G 1416-





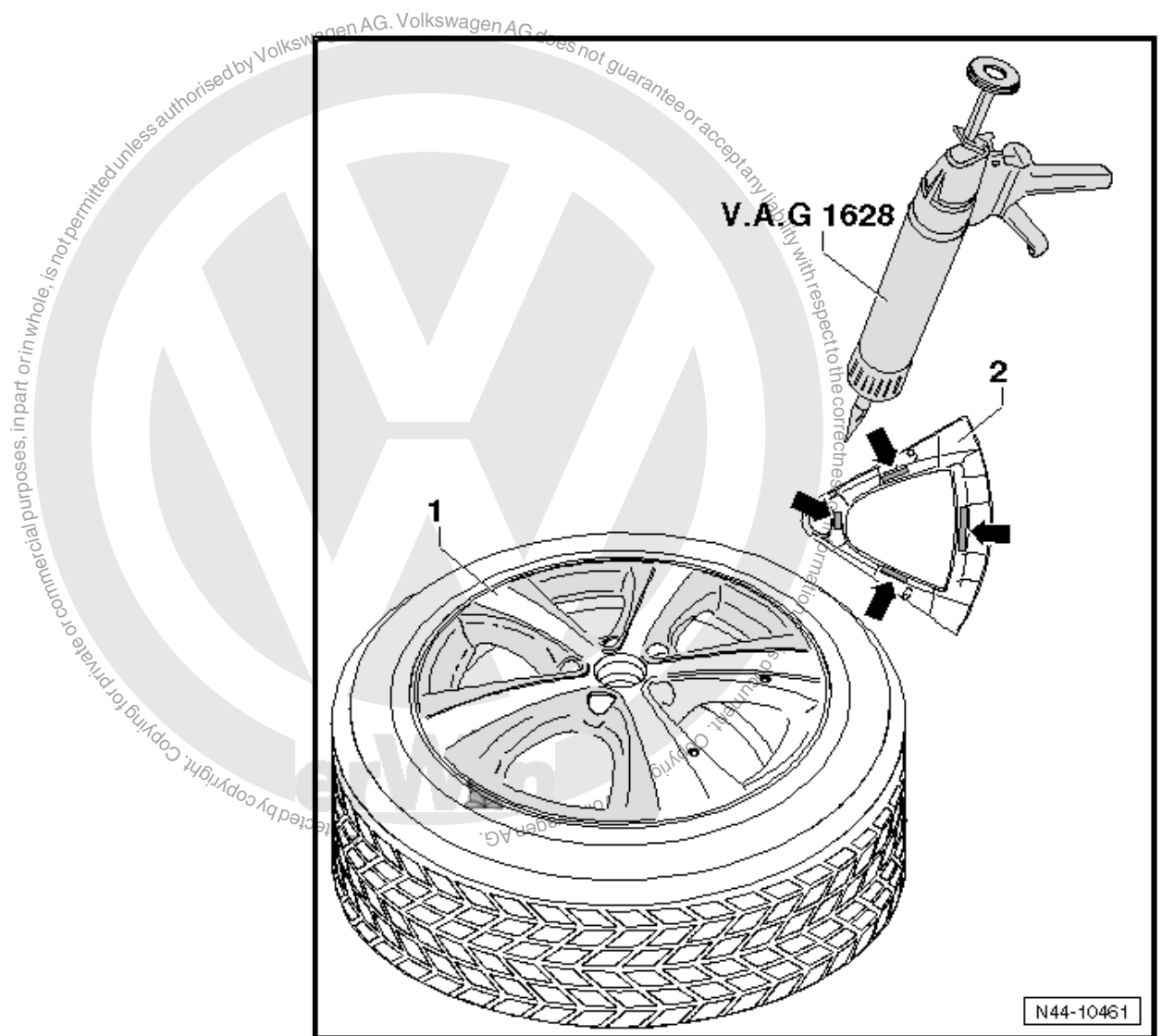
## 12.6.2 Materials

- ◆ 1K Window adhesive -DH 009 100 A2-
- ◆ Silicone remover -LSE 020 100 A3-

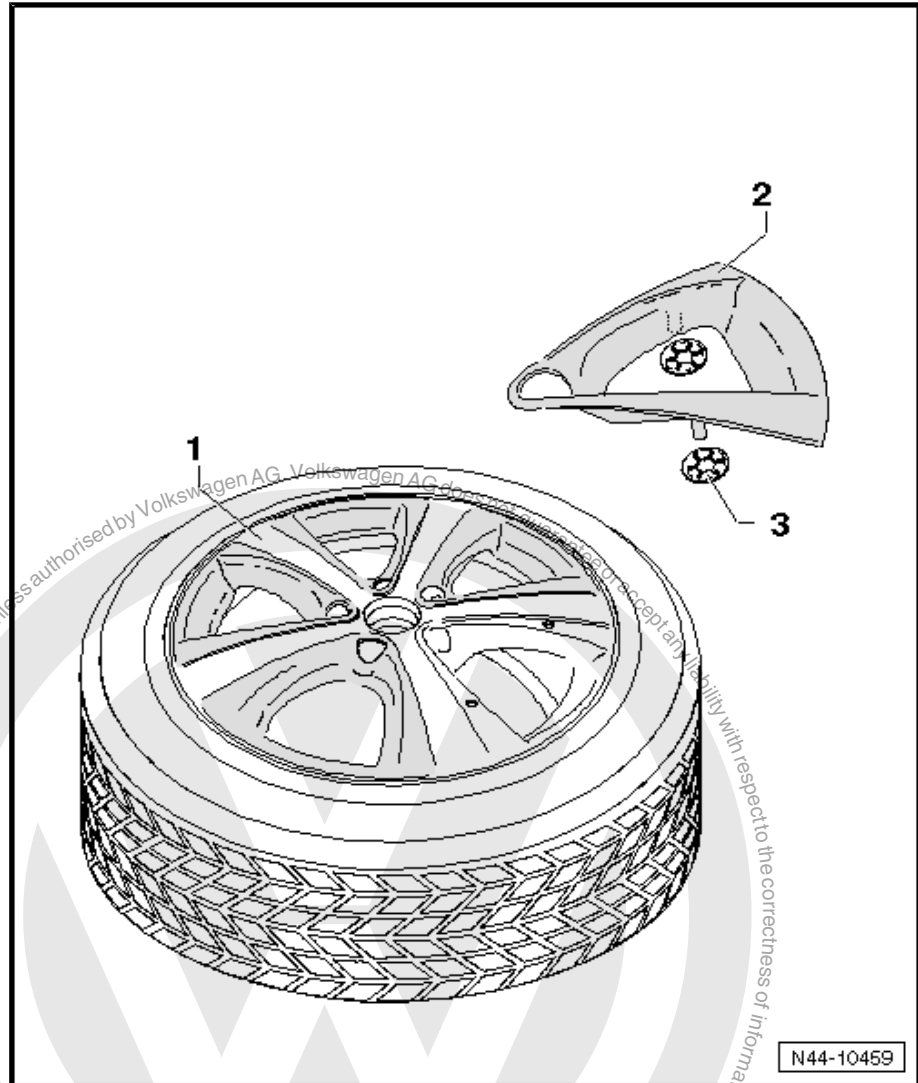
## 12.6.3 Installing trim element

These alloy wheels are fitted with exchangeable trim elements. Follow these instructions during installation.

- ◆ Ensure bonding surfaces in alloy wheel and trim element are free of dust and grease
- ◆ Clean bonding surfaces with silicone remover -LSE 020 100 A3- .



- Apply 1K window adhesive -DH 009 100 A2- to bonding surfaces -arrows- using cartridge gun -V.A.G 1628-
- Adhesive bead: length = approx. 25 mm and diameter = approx. 10 mm.



- Push trim element -2- forcefully into alloy wheel -1-.
- Secure trim element -2- on inner side of alloy wheel -3- with clamping washers.

Minimum curing period: 3 hours at a minimum room temperature of 15 °C.



**WARNING**

*Alloy wheel must be rebalanced ⇒ page 33 .*

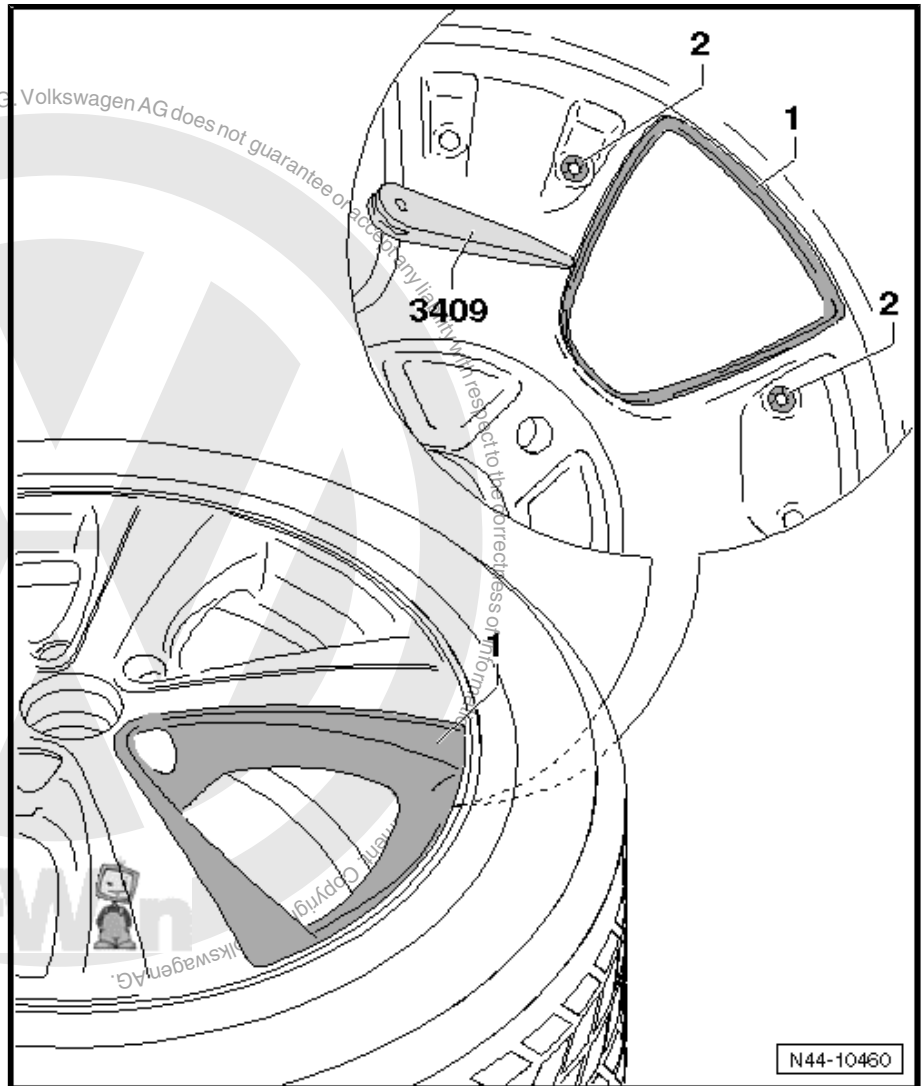




## 12.6.4 Removing trim element



*The trim element cannot be removed without causing damage to the element*



- Remove clamping washers -2- on inner side of alloy wheel.
- Heat outer side of trim element -1- with hot air blower -V.A.G 1416- .



### Caution

***Use only low heat on tyres and alloy wheels (do not overheat).***

- Release trim element -1- on inner side of alloy wheel using wedge -3409- .
- Grasp under a corner on the outside and pull trim element -1- forcefully off alloy wheel.



## Note

- ◆ *Cut back adhesive PUR beads on alloy wheel.*
- ◆ *Residual material is used as a bonding base for the new trim element.*
- ◆ *The new trim element can be installed immediately ⇒ [page 61](#) .*

## 12.7 Care and maintenance of alloy wheel rims

Regular care is required to maintain the decorative appearance of alloy wheels over a long period of time.

In particular road salt and dust from brake abrasion must be thoroughly washed off every 2 weeks; otherwise the finish of the alloy wheel will suffer.

### Cleaning agents

Suitable cleaning agents:

- ◆ Plain water or water with soft soap
- ◆ Water and essence of vinegar
- ◆ Alloy wheel cleansers without acids or strong solvents

Do not exceed the soaking time of the cleaning agent.

The shorter the recommended soaking time, the harsher and more aggressive the cleaning agent.

### Damage to finish

If the finish is damaged, for example by stones, the damage must be repaired as quickly as possible ⇒ [page 64](#) .

### Removing adhesive residue from glued balance weights on alloy rims

- ◆ Strong solvents and acids attack the finish on alloy wheels and the surface of the wheel becomes matt and milky. Therefore, these substances should not be used.
- ◆ To remove adhesive residue on alloy wheels, use alloy cleansers or a petrol-based cleanser. Do not exceed the soaking time of the cleaning agent.
- ◆ After cleaning or removing adhesive residue from wheels, rinse them with water.

## 12.8 Restoring alloy wheels



### WARNING

- ◆ *Repairing a damaged wheel using heat treatment such as welding or the addition or removal of material is absolutely forbidden.*
- ◆ *Damaged or deformed wheel rims or wheel rims with cracked or deformed wheel bolt holes may not be repaired.*
- ◆ *Restoration may only be undertaken using approved and genuine paint materials.*
- ◆ *The manufacturer's guarantee no longer applies once a wheel rim has been restored.*



Wheel rims with cracks along the edges may not be repaired and must be replaced immediately.

Remachining, heat treatment and welding of all types is not permitted.

Material reforming is not permissible.

Before restoring, the radial runout and lateral runout must not exceed the manufactures tolerance of 0.8 mm.

Only cast alloy wheel rims may be filled using a filler putty. These wheels have the material identification AlSi xx stamped in the inner side.

Forged wheels may not be painted.

The restoration is limited to the painted surfaces.

Bright machined wheels, which only have a clear coating, may not be repaired.

Only surface damage on the viewed side (design surface) of the wheel may be restored.

Restoring a damaged surface depth of 1 mm must not be exceeded.

Only up to 50 mm may be removed/ filler filled on the outer boss.





## 12.9 The valve

- 1 - Valve body
- 2 - Valve core
- 3 - Valve cap

### 1. Valve body

The rubber valve for tubeless tyres is designed to create an airtight seal in the hole in the rim. The elastic material of the rubber valve body presses tightly into the hole in the rim.

In the case of valves with a threaded metal base, a rubber seal is used to seal the rim. The lateral faces of the rim hole are sealing surfaces. They must therefore be free of rust and dirt and must not be damaged.

### 2. Valve core

The valve insert has the most important job in the valve. It creates a seal and enables the regulation of the air pressure. The small flat seal on the valve core can only function correctly if it is free of foreign particles, dirt and moisture. The compressed air system must be free of water and oil!

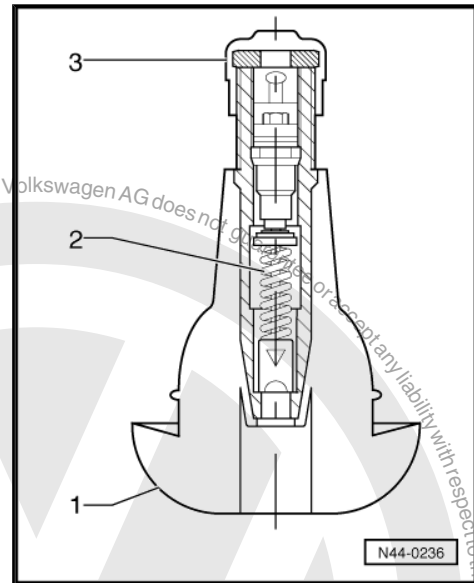
### 3. Valve cap

A valve cap must always be screwed onto the valve. It prevents dirt from getting into the valve. Dirt which may be in the valve would reach the seal of the valve plate when the tyre is inflated and cause a leak.

The valve must be renewed every time a new tyre is fitted.

If the vehicle is driven without caps on the valves, there is the danger that dirt may get into the valve. This leads to a gradual loss of air, which in turn can lead to the destruction of the tyre.

- ◆ Separation of carcass and rubber ⇒ [page 50](#)
- ◆ Wide, circumferential furrows near the bead ⇒ [page 50](#)
- ◆ Stripped tread or stripped protector ⇒ [page 51](#)



### WARNING

*The valve cap must be fitted tightly to ensure air-tight sealing.*



## 13 Fitting and removing wheels

### 13.1 Rotating wheels

Vehicles with front-wheel drive exhibit more tread wear on the front wheels due to the greater forces they have to transmit.

In order for all 4 wheels on the vehicle to have the same service life, we recommend rotating the front and rear wheels and tyres.

Ensure that uni-directional tyres are not reversed.

The longer the tyre runs at one position, the more it wears at certain points. Therefore it is recommended to rotate the wheels at short intervals, for example every 5,000 km.

Diagonal rotation is possible only with non-directional tyres. This method of wheel rotation is especially advantageous in the case of saw-tooth wear ⇒ [page 29](#) .

If saw-tooth wear has already progressed and the tread is worn to more than 50%, only slight improvements would be achieved and rotation is not recommended. The elasticity of the tread blocks declines and the saw-tooth wear does not progress.

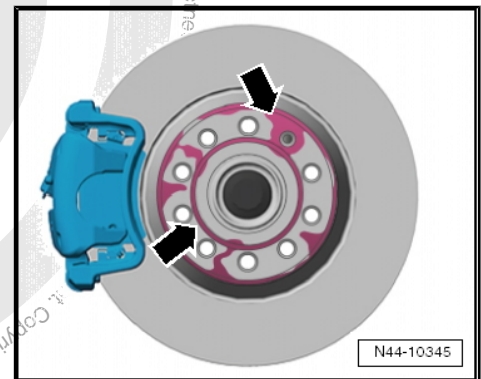
### 13.2 Instructions for changing or fitting wheels



#### WARNING

***Perform the checks and follow the instructions listed below. This is important to ensure that the wheel bolts and the wheels are properly secured.***

- Check to ensure that contact surfaces -arrows- on brake disc are free of corrosion and dirt.



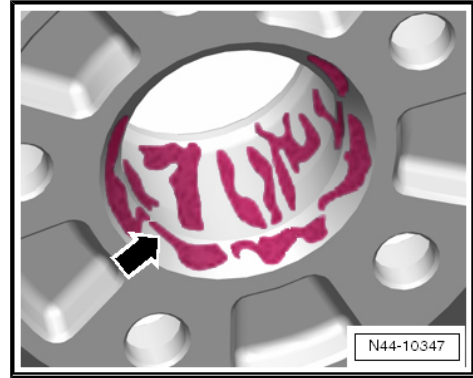
- Check to ensure that contact surface -arrow- on centring seat of brake disc are free of corrosion and dirt.





- Check to ensure that contact surface -arrow- on inner side of wheel (rim) and also centring seat of rim are free of corrosion and dirt.
- The concave seats \* in the holes for the wheel bolts and the threads of the wheel bolts must also be free of corrosion and dirt, oil or grease.

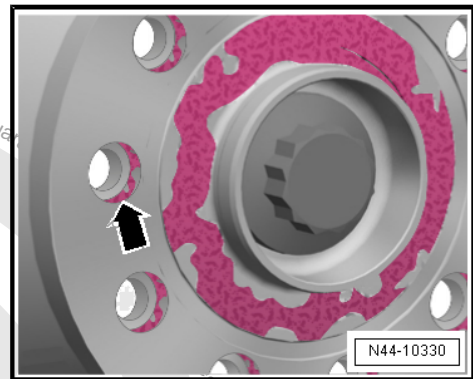
\* The concave seat is the curved surface of a section of a sphere cut by a plane.



- Check whether the wheel bolts can be easily screwed in by hand. The thread of the wheel bolts must not come into contact with the bore in the brake disc -arrow-

If the thread of the wheel bolt touches the hole -arrow-, turn the brake disc relative to the wheel hub accordingly.

Remove dirt and corrosion, oil or grease from the contact surfaces, threads in the wheel hub and/or wheel bolts as necessary.

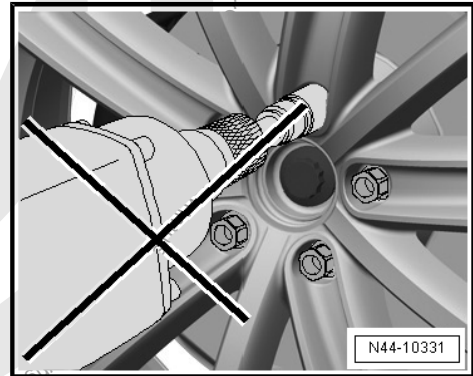


#### WARNING

*Damaged, badly corroded or difficult to remove wheel bolts must be renewed.*

#### Fitting wheels

- Preserve wheel centring seat ⇒ Running gear, axles, steering; Rep. gr. 44 ; Protecting wheel centring seat against corrosion .
- 1 - When fitting the wheel, screw in all wheel bolts uniformly by hand.
  - 2 - Tighten the wheel bolts in diagonal sequence to approx. 30 Nm.
  - 3 - Lower vehicle to the floor and tighten all wheel bolts diagonally to the specified torque using the torque wrench ⇒ Running gear, axles, steering; Rep. gr. 44 ; Specified torque for wheel bolts .



#### WARNING

*Do not use an impact driver when screwing in the bolts!*

### 13.3 Notes on use of temporary spare wheels

Inform your customers about the following notes and, if appropriate, refer also to the user's manual of the vehicle as the need arises.

The following notes also apply to spare wheels, e.g. 7 J x 16 with 205/55 R 16 tyres, marked with a yellow sticker with the text „MAX 80 km/h“ or „MAX 50 mph“



## Note

- ◆ Depending on vehicle equipment, e.g. Passat cars with alloy wheels and 225 mm tyres have a spare wheel with the sticker described above instead of a temporary spare wheel.
- ◆ The spare wheel or temporary spare wheel is intended only for temporary use over short distances. Therefore, it must be replaced by a normal wheel as quickly as possible.
- ◆ After the temporary or spare wheel has been fitted, the tyre pressure must be checked as soon as possible. For the correct tyre pressure, please refer to the tyre pressure in the relevant vehicle or the relevant manual: Maintenance manual.
- ◆ Always observe the speed warning on the temporary spare wheel („MAX 80 km/h“ or „MAX 50 mph“).
- ◆ Full acceleration, hard braking and driving fast through curves should be avoided.
- ◆ Never drive with more than one spare wheel or temporary spare wheel.
- ◆ The use of snow chains on the temporary spare wheel is not permitted for technical reasons.
- ◆ If it is necessary to travel with snow chains, the temporary spare wheel must be fitted on the rear axle even if the front tyre has been damaged. The now available rear wheel must then be fitted in place of the defective front wheel.





## 14 Fox from model year 2006

### General

Volkswagen vehicles are built according to the latest findings in safety engineering. To keep it that way, we recommend the use of only genuine Volkswagen spare parts. You can recognise this by the VW Audi logo and by the part number. It has been established that these parts are reliable, safe and suitable.

Despite constant appraisal of the market, we cannot assess other products on these points, even when in isolated cases they have been passed by official inspectors or have been granted official approval. Therefore, we cannot, of course, assume any liability if these products are installed.



#### WARNING

***The products from Volkswagen genuine parts and Votex genuine accessories may differ in fitting requirements, torque specifications and so on.***

***Always follow the respective fitting and operating instructions.***

The wheel and tyre combinations or changes listed in the vehicle tables refer exclusively to Volkswagen Genuine wheels. Approval of wheel and tyre combinations or a change to wheels from the accessories trade is not possible with the parts certificate attached here.



#### WARNING

***The fitting instructions and torque specifications for wheels from Votex genuine accessories may differ from those intended for wheels from Volkswagen genuine parts.***

***Therefore, always observe the torque settings for the wheel bolts as well as the respective fitting and operating instructions.***

### 14.1 Fox, type 5Z model year 2006 to model year 2010

Attachment to parts certificate 3540/09

The parts certificate can be found on the Volkswagen ServiceNet under Accessories/Tyres, Wheels and Tyres, Wheels and Tyres Guide.

Type Approval No.: e1\*2001/116\*0301\*00 to e1\*2001/116\*0301\*09

#### Overview

Model engine output	Tyres	Tyre size	Wheel rim	Offset in mm	Snow chains	Remarks
1.2l 40 kW petrol engine with no power assisted steering	Standard tyres	165/70 R 14 81T	5 J x 14 ⇒ <a href="#">page 72</a>	35	Yes	General information on: ◆ Winter tyres ⇒ <a href="#">page 14</a> ◆ Snow chains ⇒ <a href="#">page 17</a>
	Modification	No changes are permissible apart from the standard wheel and tyre combinations!				





Model engine output	Tyres	Tyre size	Wheel rim	Off-set in mm	Snow chains	Remarks
	Winter tyres	165/70 R 14 81Q	5 J x 14 ⇒ <a href="#">page 72</a>	35	Yes	Tyre makes recommended by Volkswagen: ♦ Summer tyres ⇒ <a href="#">page 494</a> ♦ Winter tyres ⇒ <a href="#">page 529</a>
1.2l 40 kW petrol engine with power assisted steering 1.4l 55 kW petrol engine	Standard tyres	165/70 R 14 81T	5 J x 14 ⇒ <a href="#">page 72</a>	35	Yes	
	Modification	185/60 R 14 82T/H	6 J x 14 ⇒ <a href="#">page 72</a>	43	Yes	
		195/55 R 15 85V	6 J x 15 ⇒ <a href="#">page 74</a>	43	No	
	Winter tyres	165/70 R 14 81Q	5 J x 14 ⇒ <a href="#">page 72</a>	35	Yes	
1.4l 51 kW diesel engine	Standard tyres	185/60 R 14 82T	6 J x 14 ⇒ <a href="#">page 72</a>	43	Yes	AG. Volkswagen AG does not guarantee or accept any liability with respect to the correctness of information in this document. Copyright by Volkswagen AG.
	Modification	165/70 R 14 81T	5 J x 14 ⇒ <a href="#">page 72</a>	35	Yes	
		185/60 R 14 82H	6 J x 14 ⇒ <a href="#">page 72</a>	43	Yes	
		195/55 R 15 85V	6 J x 15 ⇒ <a href="#">page 74</a>	43	No	
	Winter tyres	165/70 R 14 81Q	5 J x 14 ⇒ <a href="#">page 72</a>	35	Yes	
		185/60 R 14 82Q	6 J x 14 ⇒ <a href="#">page 72</a>	43	Yes	

Tyre inflation pressures are located on a sticker in fuel tank flap or in ⇒ Maintenance ; Booklet ; Check tyres: condition, profile, inflation pressure, depth of tread .

## 14.2 Wheel allocation for Fox, type 5Z model year 2006 to model year 2010

Explanation of information on wheels ⇒ [page 58](#)

Specified torques for wheel bolts ⇒ Running gear, axles, steering;  
Rep. gr. 44 ; Fitting wheels and tyres; Fitting wheels

Pitch circle diameter: 100 mm

Number of wheel bolt holes: 5



### 14.2.1 5 J x 14

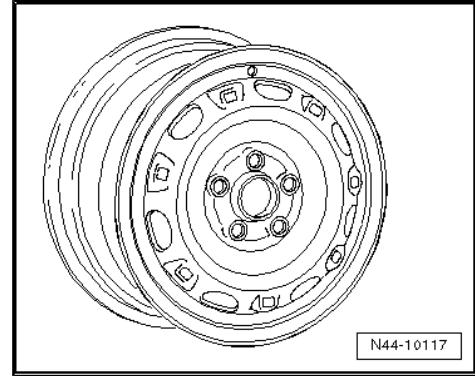


**Caution**

*Observe the allocation of wheels and tyres to the respective engines, which are listed in the overview table ⇒ [page 70](#) .*

6Q0 601 027 H, 6Q0 601 027 R - Wheel and tyre combination  
⇒ [page 70](#)

Size:	5 J x 14
Wheel offset in mm:	35
Wheel load in kg:	455



### 14.2.2 6 J x 14



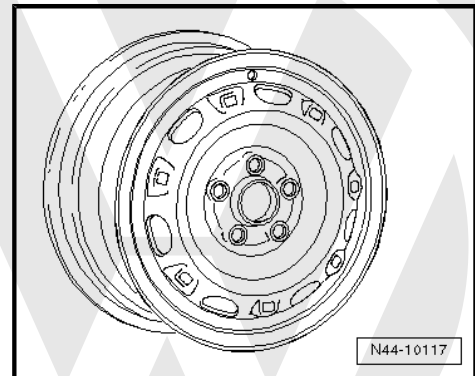
**Caution**

*Observe the allocation of wheels and tyres to the respective engines, which are listed in the overview table ⇒ [page 70](#) .*

For 1.2l 40 kW with power assisted steering, 1.4l 55 kW, 1.4 51 kW diesel

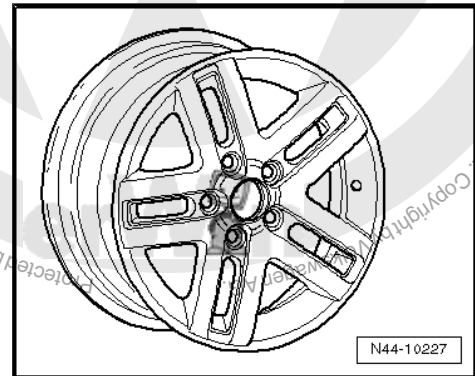
6Q0 601 027 F, 6Q0 601 027 P - Wheel and tyre combination  
⇒ [page 71](#)

Size:	6 J x 14
Wheel offset in mm:	43
Wheel load in kg:	465



5Z0 601 025 - Wheel and tyre combination ⇒ [page 71](#)

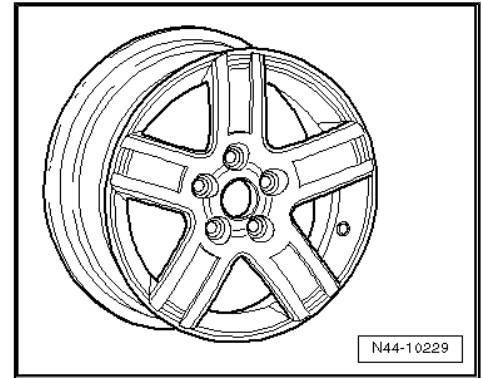
Size:	6 J x 14
Wheel offset in mm:	43
Wheel load in kg:	460





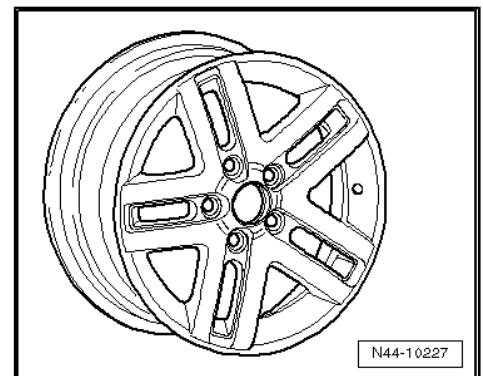
**5Z0 601 025 C - Wheel and tyre combination ⇒ page 71**

Size:	6 J x 14
Wheel offset in mm:	43
Wheel load in kg:	460



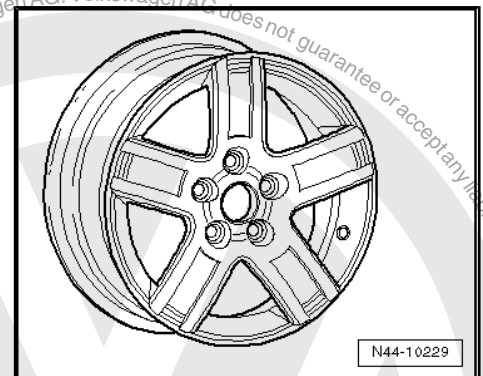
**5Z0 601 025 E - Wheel and tyre combination ⇒ page 71**

Size:	6 J x 14
Wheel offset in mm:	43
Wheel load in kg:	460



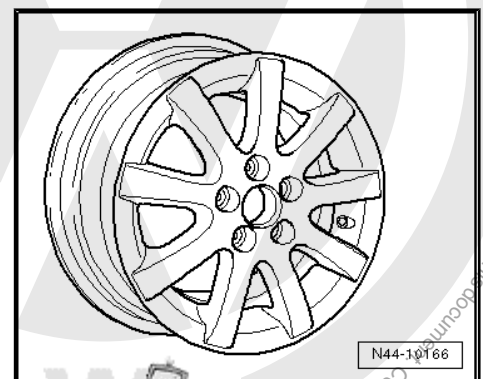
**5Z0 601 025 K - Wheel and tyre combination ⇒ page 71**

Size:	6 J x 14
Wheel offset in mm:	43
Wheel load in kg:	460



**6Q0 601 025 Q - Wheel and tyre combination ⇒ page 71**

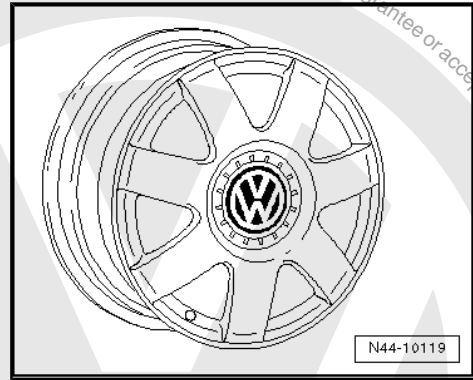
Size:	6 J x 14
Wheel offset in mm:	43
Wheel load in kg:	465





**6Q0 601 025 K - Wheel and tyre combination ⇒ page 71**

Size:	6 J x 14
Wheel offset in mm:	43
Wheel load in kg:	465



**14.2.3 6 J x 15**



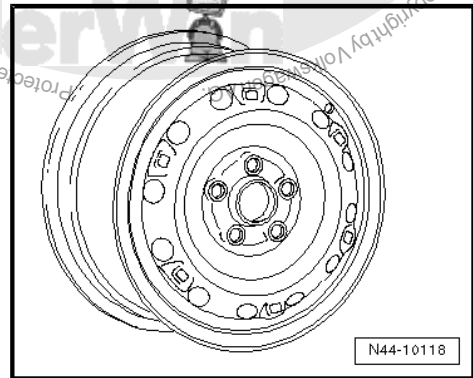
**Caution**

*Observe the allocation of wheels and tyres to the respective engines, which are listed in the overview table ⇒ page 70 .*

For 1.2l 40 kW with power assisted steering, 1.4l 55 kW, 1.4 51 kW diesel

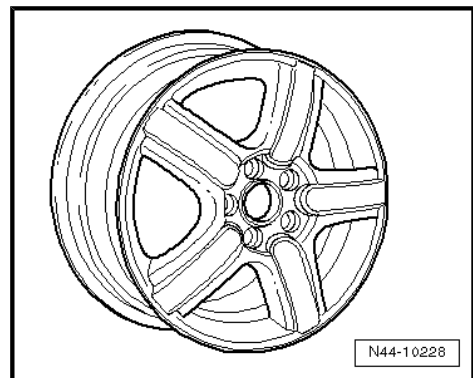
**6Q0 601 027 G, 6Q0 601 027 Q - Wheel and tyre combination ⇒ page 71**

Size:	6 J x 15
Wheel offset in mm:	43
Wheel load in kg:	500



**5Z0 601 025 A - Wheel and tyre combination ⇒ page 71**

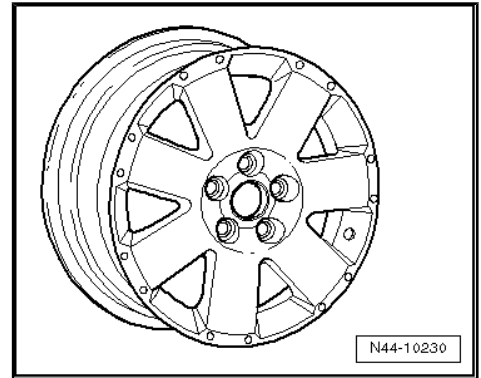
Size:	6 J x 15
Wheel offset in mm:	43
Wheel load in kg:	475





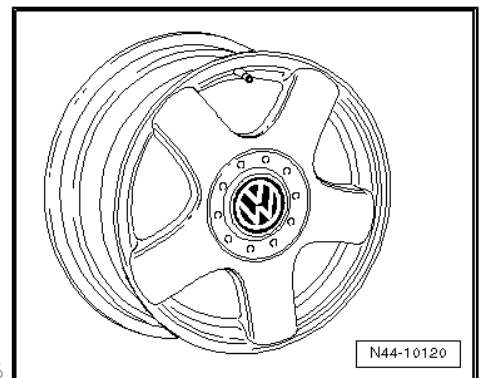
**5Z0 601 025 D - Wheel and tyre combination ⇒ page 71**

Size:	6 J x 15
Wheel offset in mm:	43
Wheel load in kg:	475



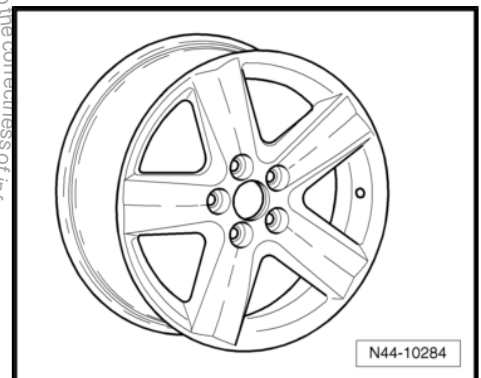
**6Q0 601 025 L - Wheel and tyre combination ⇒ page 71**

Size:	6 J x 15
Wheel offset in mm:	43
Wheel load in kg:	475



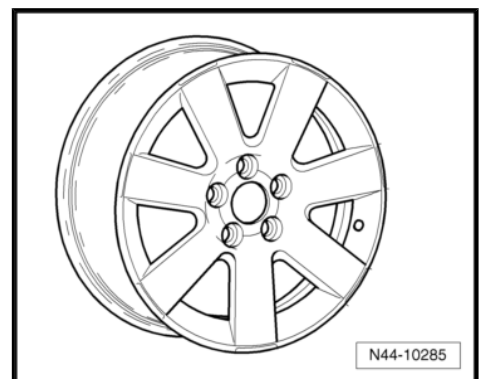
**5Z0 601 025 F - Wheel and tyre combination ⇒ page 71**

Size:	6 J x 15
Wheel offset in mm:	43
Wheel load in kg:	480



**6QE 601 025 B - Wheel and tyre combination ⇒ page 71**

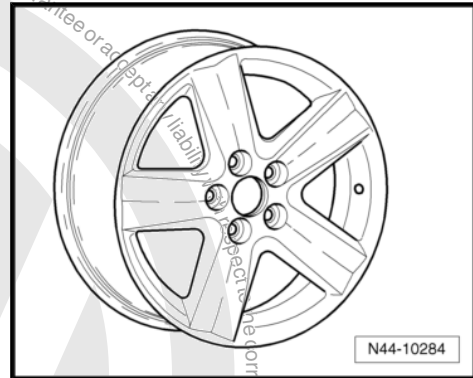
Size:	6 J x 15
Wheel offset in mm:	43
Wheel load in kg:	480





**5Z0 601 025 M - Wheel and tyre combination ⇒ page 71**

Size:	6 J x 15
Wheel offset in mm:	43
Wheel load in kg:	480





## 15 Polo from model year 2010

### General

Volkswagen vehicles are built according to the latest findings in safety engineering. To keep it that way, we recommend the use of only genuine Volkswagen spare parts. You can recognise this by the VW Audi logo and by the part number. It has been established that these parts are reliable, safe and suitable.

Despite constant appraisal of the market, we cannot assess other products on these points, even when in isolated cases they have been passed by official inspectors or have been granted official approval. Therefore, we cannot, of course, assume any liability if these products are installed.



#### WARNING

*The products from Volkswagen genuine parts and Votex genuine accessories may differ in fitting requirements, torque specifications and so on.*

*Always follow the respective fitting and operating instructions.*

The wheel and tyre combinations or changes listed in the vehicle tables refer exclusively to Volkswagen Genuine wheels. Approval of wheel and tyre combinations or a change to wheels from the accessories trade is not possible with the certificate statement attached here.



#### WARNING

*The fitting instructions and torque specifications for wheels from Votex genuine accessories may differ from those intended for wheels from Volkswagen genuine parts.*

*Therefore, always observe the torque settings for the wheel bolts as well as the respective fitting and operating instructions.*

### 15.1 Polo, type 9R model year 2010 to model year 2011

Appendix to certificate statement 8106803322

The certificate statement can be found on the Volkswagen ServiceNet under Accessories/Tyres, Wheels and Tyres, Wheels and Tyres Guide.

Type Approval No.: e1\*2001/116\*0510\*00 to  
e1\*2001/116\*0510\*06

#### Overview

Model engine output	Tyres	Tyre size	Wheel rim	Off-set in mm	Snow chains	Remarks
1.2   44 kW 1.2   51 kW; 1.2   77 kW; 1.4   63 kW petrol engines;	Standard tyres	175/70 R 14 84T	5 J x 14 ⇒ <a href="#">page 79</a>	35	Yes	General information on: ◆ Winter tyres ⇒ <a href="#">page 14</a> ◆ Snow chains ⇒ <a href="#">page 17</a>



Model engine output	Tyres	Tyre size	Wheel rim	Off-set in mm	Snow chains	Remarks
1.2l 55 kW; 1.6l 55 kW; diesel engine; 1.6l 66 kW; diesel engine with manual gearbox	Modification	185/60 R 15 84T	6 J x 15 ⇒ <a href="#">page 80</a>	38	Yes	Tyre makes recom- mended by Volkswa- gen:  ♦ Summer tyres ⇒ <a href="#">page 494</a> ♦ All-season tyres ⇒ <a href="#">page 521</a> ♦ Winter tyres ⇒ <a href="#">page 529</a>
		185/60 R 15 84T	6 J x 15 ⇒ <a href="#">page 80</a>	40	Yes	
		195/55 R 15 85T	6 J x 15 ⇒ <a href="#">page 80</a>	40	Yes	
		215/45 R 16 86T	7 J x 16 ⇒ <a href="#">page 81</a>	46	No	
		215/40 R 17 87T	7 J x 17 ⇒ <a href="#">page 81</a>	46	No	
		Winter tyres	175/70 R 14 84Q/T	5 J x 14 ⇒ <a href="#">page 79</a>	35	
	185/60 R 15 84Q/T	6 J x 15 ⇒ <a href="#">page 80</a>	38	Yes		
	1.6l 66 kW diesel engine with dual clutch gearbox	Standard tyres	175/70 R 14 88T	5 J x 14 ⇒ <a href="#">page 79</a>	35	
Modification		185/60 R 15 88T	6 J x 15 ⇒ <a href="#">page 80</a>	38	Yes	
		185/60 R 15 88T	6 J x 15 ⇒ <a href="#">page 80</a>	40	Yes	
		195/55 R 15 85T	6 J x 15 ⇒ <a href="#">page 80</a>	40	Yes	
		215/45 R 16 86T	7 J x 16 ⇒ <a href="#">page 81</a>	46	No	
		215/40 R 17 87T	7 J x 17 ⇒ <a href="#">page 81</a>	46	No	
		Winter tyres	175/70 R 14 88Q/T	5 J x 14 ⇒ <a href="#">page 79</a>	35	Yes
185/60 R 15 88Q/T		6 J x 15 ⇒ <a href="#">page 80</a>	38	Yes		
1.6l 77 kW diesel engine	Standard tyres	185/60 R 15 84H	6 J x 15 ⇒ <a href="#">page 80</a>	40	Yes	





Model engine output	Tyres	Tyre size	Wheel rim	Off-set in mm	Snow chains	Remarks
	Modification	185/60 R 15 84H	6 J x 15 ⇒ <a href="#">page 80</a>	38	Yes	
		195/55 R 15 85H	6 J x 15 ⇒ <a href="#">page 80</a>	40	Yes	
		215/45 R 16 86H	7 J x 16 ⇒ <a href="#">page 81</a>	46	No	
		215/40 R 17 87H	7 J x 17 ⇒ <a href="#">page 81</a>	46	No	
	Winter tyres	185/60 R 15 84Q/T	6 J x 15 ⇒ <a href="#">page 80</a>	38	Yes	

Tyre inflation pressures are located on a sticker in fuel tank flap or in ⇒ Maintenance ; Booklet ; Check tyres: condition, profile, inflation pressure, depth of tread .

## 15.2 Wheel allocation for Polo, type 6R model year 2010 to model year 2011


Explanation of information on wheels ⇒ [page 58](#)

Specified torques for wheel bolts ⇒ Running gear, axles, steering;  
Rep. gr. 44 ; Fitting wheels and tyres; Fitting wheels

Pitch circle diameter: 100 mm

Number of wheel bolt holes: 5

### 15.2.1 5 J x 14

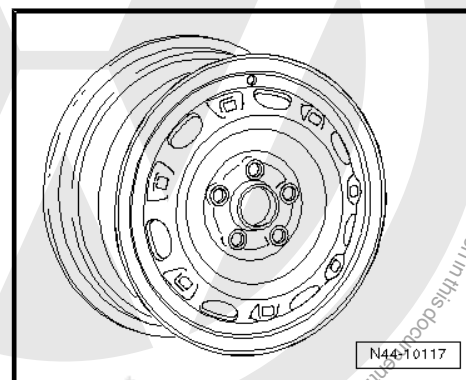
 **Caution**

*Observe the allocation of wheels and tyres to the respective engines, which are listed in the overview table ⇒ [page 77](#) .*

6Q0 601,027 R - Wheel and tyre combination ⇒ [page 77](#)

Only for vehicles to maximum permissible axle load of 910 kg

Size:	5 J x 14
Wheel offset in mm:	35
Wheel load in kg:	455





### 15.2.2 6 J x 15 offset 38

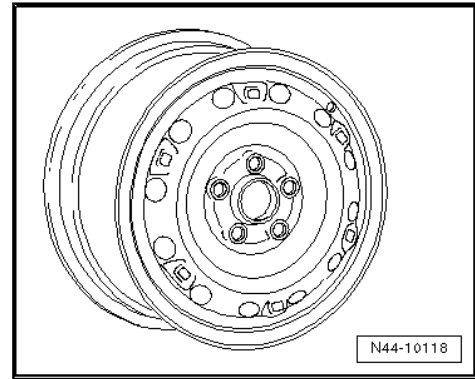


Caution

*Observe the allocation of wheels and tyres to the respective engines, which are listed in the overview table ⇒ [page 77](#).*

6R0 601 027 D, 6R0 601 027 E - Wheel and tyre combination  
⇒ [page 78](#)

Size:	6 J x 15
Wheel offset in mm:	38
Wheel load in kg:	500



### 15.2.3 6 J x 15 offset 40



Caution

*Observe the allocation of wheels and tyres to the respective engines, which are listed in the overview table ⇒ [page 77](#).*

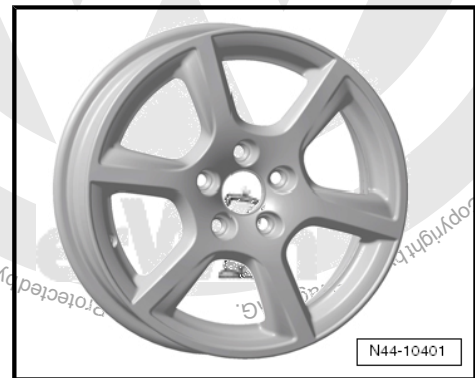
6R0 601 025 D, 6R0 601 025 L, 6R0 601 025 F - Wheel and tyre combination  
⇒ [page 78](#)

Size:	6 J x 15
Wheel offset in mm:	40
Wheel load in kg:	480



6R0 601 025 C, 6R0 601 025 M - Wheel and tyre combination  
⇒ [page 78](#)

Size:	6 J x 15
Wheel offset in mm:	40
Wheel load in kg:	480





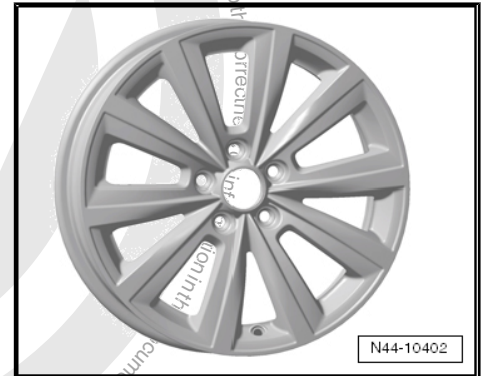
### 15.2.4 7 J x 16

**Caution**

*Observe the allocation of wheels and tyres to the respective engines, which are listed in the overview table ⇒ [page 77](#) .*

6R0 601 025 G, 6R0 601 025 K - Wheel and tyre combination ⇒ [page 78](#)

Size:	7 J x 16
Wheel offset in mm:	46
Wheel load in kg:	480



### 15.2.5 7 J x 17

**Caution**

*Observe the allocation of wheels and tyres to the respective engines, which are listed in the overview table ⇒ [page 77](#) .*

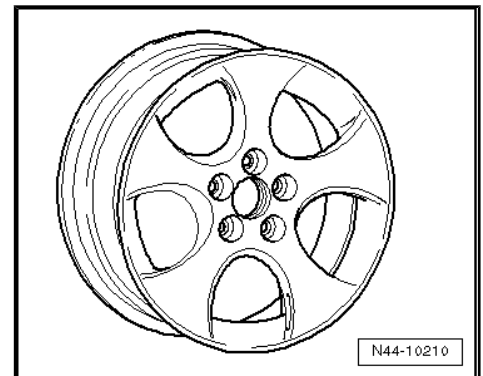
6R0 601 025 A - Wheel and tyre combination ⇒ [page 78](#)

Size:	7 J x 17
Wheel offset in mm:	46
Wheel load in kg:	480



6R0 601 025 H - Wheel and tyre combination ⇒ [page 78](#)

Size:	7 J x 17
Wheel offset in mm:	46
Wheel load in kg:	480





## 16 Polo BlueMotion from model year 2010

### General

Volkswagen vehicles are built according to the latest findings in safety engineering. To keep it that way, we recommend the use of only genuine Volkswagen spare parts. You can recognise this by the VW Audi logo and by the part number. It has been established that these parts are reliable, safe and suitable.

Despite constant appraisal of the market, we cannot assess other products on these points, even when in isolated cases they have been passed by official inspectors or have been granted official approval. Therefore, we cannot, of course, assume any liability if these products are installed.



#### WARNING

*The products from Volkswagen genuine parts and Votex genuine accessories may differ in fitting requirements, torque specifications and so on.*

*Always follow the respective fitting and operating instructions.*

The wheel and tyre combinations or changes listed in the vehicle tables refer exclusively to Volkswagen Genuine wheels. Approval of wheel and tyre combinations or a change to wheels from the accessories trade is not possible with the certificate statement attached here.



#### WARNING

*The fitting instructions and torque specifications for wheels from Votex genuine accessories may differ from those intended for wheels from Volkswagen genuine parts.*

*Therefore, always observe the torque settings for the wheel bolts as well as the respective fitting and operating instructions.*

### 16.1 Polo BlueMotion, type 6R model year 2010 to model year 2011

Appendix to certificate statement 8106803322

The certificate statement can be found on the Volkswagen ServiceNet under Accessories/Tyres, Wheels and Tyres, Wheels and Tyres Guide.

Type Approval No.: e1\*2001/116\*0510\*02 to e1\*2001/116\*0510\*06

#### Overview

Model engine output	Tyres	Tyre size	Wheel rim	Off-set in mm	Snow chains	Remarks
1.2l 55 kW; 1.6l 66 kW; diesel engines with manual gearbox	Standard tyres	185/60 R 15 84T	6 J x 15 ≧ <a href="#">page 84</a>	38	Yes	General information on: ◆ Winter tyres ⇒ <a href="#">page 14</a> ◆ Snow chains ⇒ <a href="#">page 17</a>



Model engine output	Tyres	Tyre size	Wheel rim	Off-set in mm	Snow chains	Remarks
	Modification	185/60 R 15 84T	5 <sup>1</sup> / <sub>2</sub> J x 15 ⇒ <a href="#">page 83</a>	38	Yes	Tyre makes recommended by Volkswagen:  ◆ Summer tyres ⇒ <a href="#">page 495</a>  ◆ All-season tyres ⇒ <a href="#">page 521</a>  ◆ Winter tyres ⇒ <a href="#">page 529</a>
		185/60 R 15 84T	6 J x 15 ⇒ <a href="#">page 84</a>	40	Yes	
	Winter tyres	185/60 R 15 84Q/T	6 J x 15 ⇒ <a href="#">page 84</a>	38	Yes	

Tyre inflation pressures are located on a sticker in fuel tank flap or in ⇒ Maintenance ; Booklet ; Check tyres: condition, profile, inflation pressure, depth of tread .

## 16.2 Wheel allocation for Polo BlueMotion, type 6R model year 2010 to model year 2011


Explanation of information on wheels ⇒ [page 58](#)

Specified torques for wheel bolts ⇒ Running gear, axles, steering;  
Rep. gr. 44 ; Fitting wheels and tyres; Fitting wheels

Pitch circle diameter: 100 mm

Number of wheel bolt holes: 5

### 16.2.1 5<sup>1</sup>/<sub>2</sub> J x 15

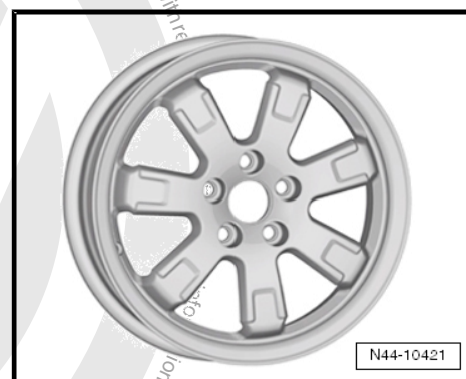


**Caution**

*Observe the allocation of wheels and tyres to the respective engines, which are listed in the overview table ⇒ [page 82](#) .*

6R0 601 025 E - Wheel and tyre combination ⇒ [page 83](#)

Size:	5 <sup>1</sup> / <sub>2</sub> J x 15
Wheel offset in mm:	38
Wheel load in kg:	470





### 16.2.2 6 J x 15 offset 38

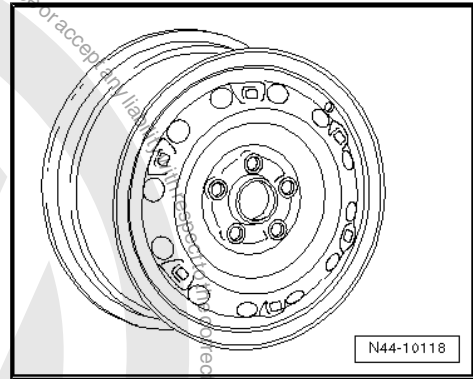


**Caution**

*Observe the allocation of wheels and tyres to the respective engines, which are listed in the overview table => [page 82](#)*

6R0 601 027 D, 6R0 601 027 E - Wheel and tyre combination  
=> [page 82](#)

Size:	6 J x 15
Wheel offset in mm:	38
Wheel load in kg:	500



### 16.2.3 6 J x 15 offset 40

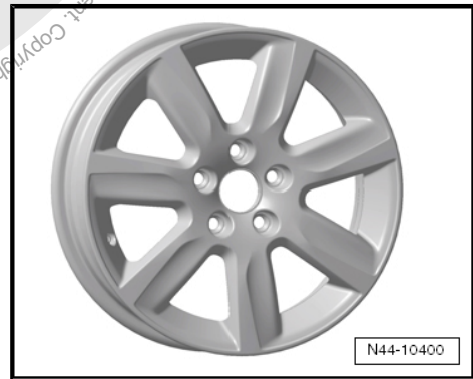


**Caution**

*Observe the allocation of wheels and tyres to the respective engines, which are listed in the overview table => [page 82](#).*

6R0 601 025 D, 6R0 601 025 L, 6R0 601 025 F - Wheel and tyre combination  
=> [page 83](#)

Size:	6 J x 15
Wheel offset in mm:	40
Wheel load in kg:	480



6R0 601 025 C, 6R0 601 025 M - Wheel and tyre combination  
=> [page 83](#)

Size:	6 J x 15
Wheel offset in mm:	40
Wheel load in kg:	480





## 17 CrossPolo from model year 2011

### General

Volkswagen vehicles are built according to the latest findings in safety engineering. To keep it that way, we recommend the use of only genuine Volkswagen spare parts. You can recognise this by the VW Audi logo and by the part number. It has been established that these parts are reliable, safe and suitable.

Despite constant appraisal of the market, we cannot assess other products on these points, even when in isolated cases they have been passed by official inspectors or have been granted official approval. Therefore, we cannot, of course, assume any liability if these products are installed.



#### WARNING

*The products from Volkswagen genuine parts and Votex genuine accessories may differ in fitting requirements, torque specifications and so on.*

*Always follow the respective fitting and operating instructions.*

The wheel and tyre combinations or changes listed in the vehicle tables refer exclusively to Volkswagen Genuine wheels. Approval of wheel and tyre combinations or a change to wheels from the accessories trade is not possible with the certificate statement attached here.



#### WARNING

*The fitting instructions and torque specifications for wheels from Votex genuine accessories may differ from those intended for wheels from Volkswagen genuine parts.*

*Therefore, always observe the torque settings for the wheel bolts as well as the respective fitting and operating instructions.*

### 17.1 CrossPolo, type 6R model year 2011

Appendix to certificate statement 8106803322

The certificate statement can be found on the Volkswagen ServiceNet under Accessories/Tyres, Wheels and Tyres, Wheels and Tyres Guide.

Type Approval No.: e1\*2001/116\*0510\*05 to e1\*2001/116\*0510\*06

#### Overview

Model engine output	Tyres	Tyre size	Wheel rim	Off-set in mm	Snow chains	Remarks
1.2l 51 kW; 1.2l 77 kW; 1.4l 63 kW petrol engines;	Standard tyres	215/40 R 17 87H	7 1/2 J x 17 ⇒ <a href="#">page 90</a>	38	No	General information on: ◆ Winter tyres ⇒ <a href="#">page 14</a> ◆ Snow chains ⇒ <a href="#">page 17</a>
	Modification	175/70 R 14 84T	5 J x 14 ⇒ <a href="#">page 87</a>	35	Yes	



Model engine output	Tyres	Tyre size	Wheel rim	Off-set in mm	Snow chains	Remarks
1.6l 55 kW; diesel engine; 1.6l 66 kW; diesel engine with manual gearbox		185/60 R 15 84T	6 J x 15 ⇒ <a href="#">page 88</a>	38	Yes	Tyre makes recom- mended by Volkswa- gen:  ◆ Summer tyres ⇒ <a href="#">page 495</a> ◆ All-season tyres ⇒ <a href="#">page 521</a> ◆ Winter tyres ⇒ <a href="#">page 530</a>
		185/60 R 15 84T	6 J x 15 ⇒ <a href="#">page 88</a>	40	Yes	
		195/55 R 15 85T	6 J x 15 ⇒ <a href="#">page 88</a>	40	Yes	
		215/45 R 16 86T	7 J x 16 ⇒ <a href="#">page 89</a>	46	No	
		215/40 R 17 87T	7 J x 17 ⇒ <a href="#">page 89</a>	46	No	
	Winter tyres	175/70 R 14 84Q/T	5 J x 14 ⇒ <a href="#">page 87</a>	35	Yes	
		185/60 R 15 84Q/T	6 J x 15 ⇒ <a href="#">page 88</a>	38	Yes	
1.6l 66 kW diesel engine with dual clutch gearbox	Standard tyres	215/40 R 17 87H	7 1/2 J x 17 ⇒ <a href="#">page 90</a>	38	No	
	Modification	175/70 R 14 88T	5 J x 14 ⇒ <a href="#">page 87</a>	35	Yes	
		185/60 R 15 88T	6 J x 15 ⇒ <a href="#">page 88</a>	38	Yes	
		185/60 R 15 88T	6 J x 15 ⇒ <a href="#">page 88</a>	40	Yes	
		195/55 R 15 85T	6 J x 15 ⇒ <a href="#">page 88</a>	40	Yes	
		215/45 R 16 86T	7 J x 16 ⇒ <a href="#">page 89</a>	46	No	
		215/40 R 17 87T	7 J x 17 ⇒ <a href="#">page 89</a>	46	No	
	Winter tyres	175/70 R 14 88Q/T	5 J x 14 ⇒ <a href="#">page 87</a>	35	Yes	
		185/60 R 15 88Q/T	6 J x 15 ⇒ <a href="#">page 88</a>	38	Yes	





Model engine output	Tyres	Tyre size	Wheel rim	Off-set in mm	Snow chains	Remarks
1.6l 77 kW diesel engine	Standard tyres	215/40 R 17 87H	7 1/2 J x 17 ⇒ <a href="#">page 90</a>	38	No	
	Modification	185/60 R 15 84H	6 J x 15 ⇒ <a href="#">page 88</a>	38	Yes	
		185/60 R 15 84H	6 J x 15 ⇒ <a href="#">page 88</a>	40	Yes	
		195/55 R 15 85H	6 J x 15 ⇒ <a href="#">page 88</a>	40	Yes	
		215/45 R 16 86H	7 J x 16 ⇒ <a href="#">page 89</a>	46	No	
		215/40 R 17 87H	7 J x 17 ⇒ <a href="#">page 89</a>	46	No	
	Winter tyres	185/60 R 15 84Q/T	6 J x 15 ⇒ <a href="#">page 88</a>	38	Yes	

Tyre inflation pressures are located on a sticker in fuel tank flap or in ⇒ Maintenance ; Booklet ; Check tyres: condition, profile, inflation pressure, depth of tread .

## 17.2 Wheel allocation for CrossPolo, type 6R model year 2011

Explanation of information on wheels ⇒ [page 58](#)

Specified torques for wheel bolts ⇒ Running gear, axles, steering; Rep. gr. 44 ; Fitting wheels and tyres; Fitting wheels

Pitch circle diameter: 100 mm  
Number of wheel bolt holes: 5

### 17.2.1 5 J x 14



**Caution**

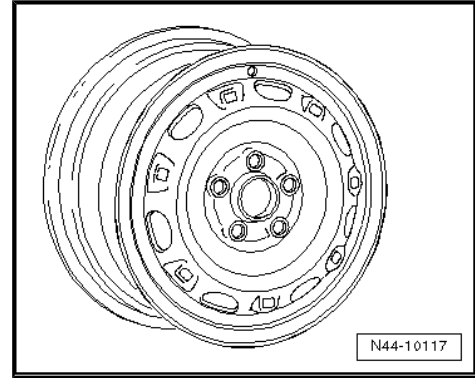
*Observe the allocation of wheels and tyres to the respective engines, which are listed in the overview table ⇒ [page 85](#) .*



**6Q0 601,027 R - Wheel and tyre combination ⇒ page 85**

Only for vehicles to maximum permissible axle load of 910 kg

Size:	5 J x 14
Wheel offset in mm:	35
Wheel load in kg:	455



**17.2.2 6 J x 15 offset 38**

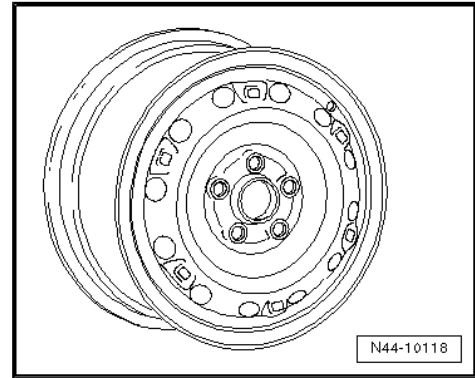


**Caution**

*Observe the allocation of wheels and tyres to the respective engines, which are listed in the overview table ⇒ page 85 .*

**6R0 601 027 D, 6R0 601 027 E - Wheel and tyre combination ⇒ page 86**

Size:	6 J x 15
Wheel offset in mm:	38
Wheel load in kg:	500



**17.2.3 6 J x 15 offset 40**

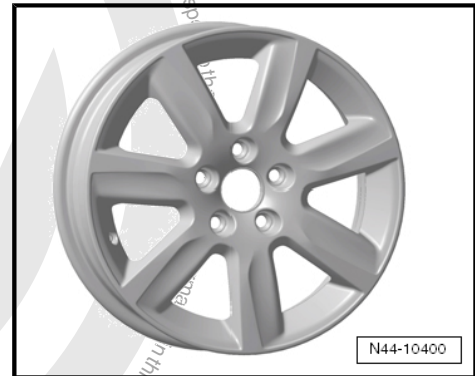


**Caution**

*Observe the allocation of wheels and tyres to the respective engines, which are listed in the overview table ⇒ page 85 .*

**6R0 601 025 D, 6R0 601 025 L, 6R0 601 025 F - Wheel and tyre combination ⇒ page 86**

Size:	6 J x 15
Wheel offset in mm:	40
Wheel load in kg:	480





**6R0 601 025 C, 6R0 601 025 M - Wheel and tyre combination**  
⇒ [page 86](#)

Size:	6 J x 15
Wheel offset in mm:	40
Wheel load in kg:	480



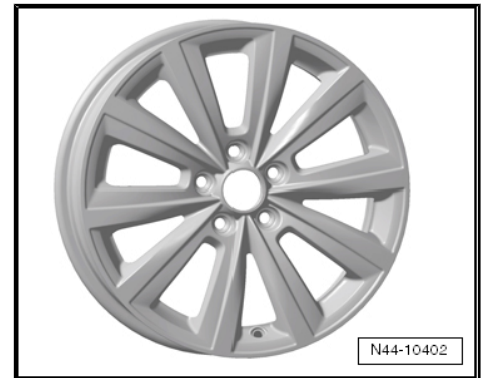
**17.2.4 7 J x 16**

**!** **Caution**

*Observe the allocation of wheels and tyres to the respective engines, which are listed in the overview table ⇒ [page 85](#) .*

**6R0 601 025 G, 6R0 601 025 K - Wheel and tyre combination**  
⇒ [page 86](#)

Size:	7 J x 16
Wheel offset in mm:	46
Wheel load in kg:	480



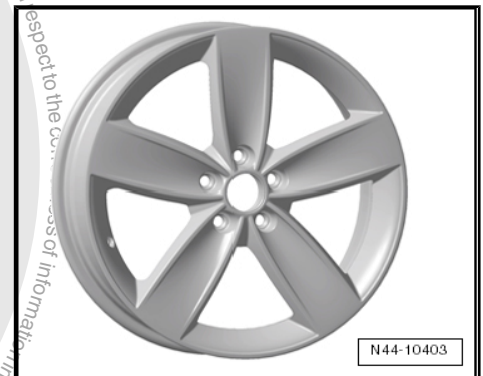
**17.2.5 7 J x 17**

**!** **Caution**

*Observe the allocation of wheels and tyres to the respective engines, which are listed in the overview table ⇒ [page 85](#) .*

**6R0 601 025 A - Wheel and tyre combination** ⇒ [page 86](#)

Size:	7 J x 17
Wheel offset in mm:	46
Wheel load in kg:	480

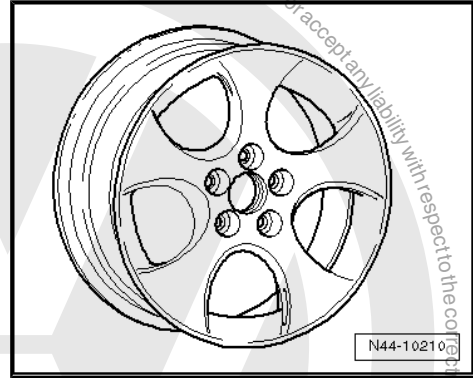


Protected by copyright. Copying for private or commercial purposes, in part or in whole, is not permitted without the express authorisation of Volkswagen AG. Volkswagen AG does not guarantee or accept any liability with respect to the correctness of information in this document. Copyright by Volkswagen AG.



**6R0 601 025 H - Wheel and tyre combination ⇒ page 86**

Size:	7 J x 17
Wheel offset in mm:	46
Wheel load in kg:	480



**17.2.6 7 1/2 J x 17**

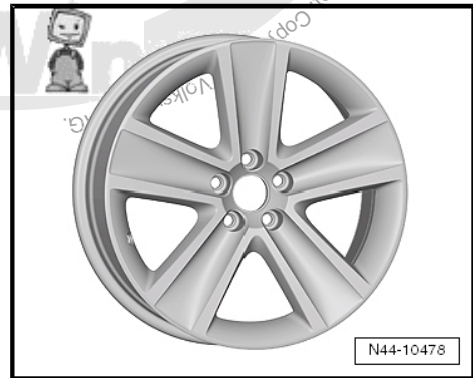


**Caution**

*Observe the allocation of wheels and tyres to the respective engines, which are listed in the overview table ⇒ page 85.*

**6R0 601 025 P - Wheel and tyre combination ⇒ page 85**

Size:	7 1/2 J x 17
Wheel offset in mm:	38
Wheel load in kg:	480





## 18 Polo GTI from model year 2011

### General

Volkswagen vehicles are built according to the latest findings in safety engineering. To keep it that way, we recommend the use of only genuine Volkswagen spare parts. You can recognise this by the VW Audi logo and by the part number. It has been established that these parts are reliable, safe and suitable.

Despite constant appraisal of the market, we cannot assess other products on these points, even when in isolated cases they have been passed by official inspectors or have been granted official approval. Therefore, we cannot, of course, assume any liability if these products are installed.



#### WARNING

*The products from Volkswagen genuine parts and Votex genuine accessories may differ in fitting requirements, torque specifications and so on.*

*Always follow the respective fitting and operating instructions.*

The wheel and tyre combinations or changes listed in the vehicle tables refer exclusively to Volkswagen Genuine wheels. Approval of wheel and tyre combinations or a change to wheels from the accessories trade is not possible with the certificate statement attached here.



#### WARNING

*The fitting instructions and torque specifications for wheels from Votex genuine accessories may differ from those intended for wheels from Volkswagen genuine parts.*

*Therefore, always observe the torque settings for the wheel bolts as well as the respective fitting and operating instructions.*

### 18.1 Polo GTI, type 6R model year 2011

Appendix to certificate statement 8106803322

The certificate statement can be found on the Volkswagen ServiceNet under Accessories/Tyres, Wheels and Tyres, Wheels and Tyres Guide.

Type Approval No.: e1\*2001/116\*0510\*06

#### Overview

Model engine output	Tyres	Tyre size	Wheel rim	Off-set in mm	Snow chains	Remarks
1.4 l 132 kW; petrol engine	Standard tyres	215/40 R 17 87V	7 J x 17 ⇒ <a href="#">page 93</a>	46	No	General information on: ◆ Winter tyres ⇒ <a href="#">page 14</a> ◆ Snow chains ⇒ <a href="#">page 17</a>
	Modification	215/45 R 16 86V	7 J x 16 ⇒ <a href="#">page 93</a>	46	No	Tyre makes recommended by Volkswagen:



Model engine output	Tyres	Tyre size	Wheel rim	Off-set in mm	Snow chains	Remarks
	Winter tyres	185/60 R 15 84T	6 J x 15 ≧ page 92	38	Yes	<ul style="list-style-type: none"> <li>◆ Summer tyres ⇒ page 496</li> <li>◆ All-season tyres ⇒ page 521</li> <li>◆ Winter tyres ⇒ page 530</li> </ul>
		185/60 R 15 84T	6 J x 15 ≧ page 92	40	Yes	

Tyre inflation pressures are located on a sticker in fuel tank flap or in ⇒ Maintenance ; Booklet ; Check tyres: condition, profile, inflation pressure, depth of tread .

## 18.2 Wheel allocation for Polo GTI, type 6R model year 2011

Explanation of information on wheels ⇒ page 58

Specified torques for wheel bolts ⇒ Running gear, axles, steering; Rep. gr. 44 ; Fitting wheels and tyres; Fitting wheels

Pitch circle diameter: 100 mm  
Number of wheel bolt holes: 5

### 18.2.1 6 J x 15 offset 38

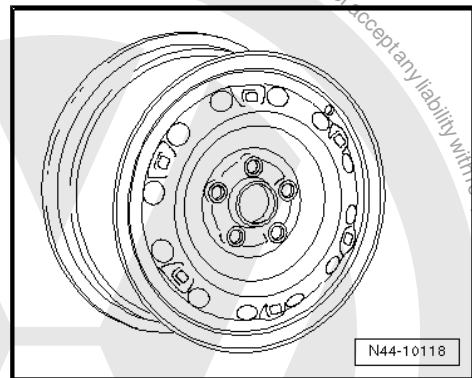


Caution

*Observe the allocation of wheels and tyres to the respective engines, which are listed in the overview table ⇒ page 91 .*

6R0 601 027 D, 6R0 601 027 E - Wheel and tyre combination  
⇒ page 92

Size:	6 J x 15
Wheel offset in mm:	38
Wheel load in kg:	500



### 18.2.2 6 J x 15 offset 40



Caution

*Observe the allocation of wheels and tyres to the respective engines, which are listed in the overview table ⇒ page 91 .*



**6R0 601 025 D, 6R0 601 025 L, 6R0 601 025 F - Wheel and tyre combination ⇒ page 92**

Size:	6 J x 15
Wheel offset in mm:	40
Wheel load in kg:	480



**6R0 601 025 C, 6R0 601 025 M - Wheel and tyre combination ⇒ page 92**

Size:	6 J x 15
Wheel offset in mm:	40
Wheel load in kg:	480

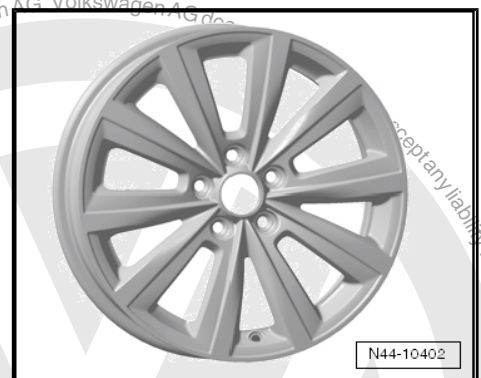


**18.2.3 7 J x 16**

**⚠ Caution**  
*Observe the allocation of wheels and tyres to the respective engines, which are listed in the overview table ⇒ page 91 .*

**6R0 601 025 G, 6R0 601 025 K - Wheel and tyre combination ⇒ page 91**

Size:	7 J x 16
Wheel offset in mm:	46
Wheel load in kg:	480



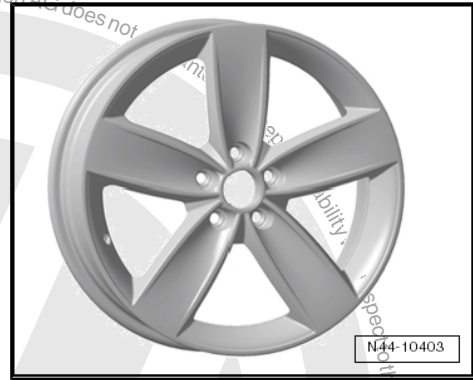
**18.2.4 7 J x 17**

**⚠ Caution**  
*Observe the allocation of wheels and tyres to the respective engines, which are listed in the overview table ⇒ page 91 .*



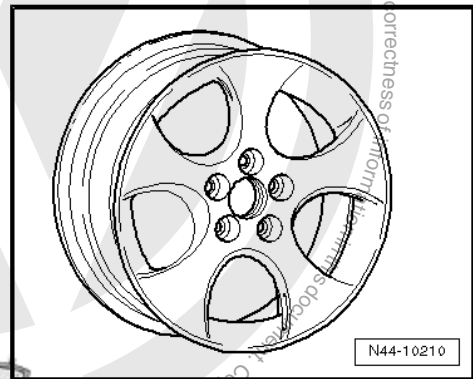
**6R0 601 025 A - Wheel and tyre combination ⇒ page 91**

Size:	7 J x 17
Wheel offset in mm:	46
Wheel load in kg:	480



**6R0 601 025 H - Wheel and tyre combination ⇒ page 91**

Size:	7 J x 17
Wheel offset in mm:	46
Wheel load in kg:	480







## 19 Golf from model year 2009

### General

Volkswagen vehicles are built according to the latest findings in safety engineering. To keep it that way, we recommend the use of only genuine Volkswagen spare parts. You can recognise this by the VW Audi logo and by the part number. It has been established that these parts are reliable, safe and suitable.

Despite constant appraisal of the market, we cannot assess other products on these points, even when in isolated cases they have been passed by official inspectors or have been granted official approval. Therefore, we cannot, of course, assume any liability if these products are installed.



#### WARNING

*The products from Volkswagen genuine parts and Votex genuine accessories may differ in fitting requirements, torque specifications and so on.*

*Always follow the respective fitting and operating instructions.*

The wheel and tyre combinations or changes listed in the vehicle tables refer exclusively to Volkswagen Genuine wheels. Approval of wheel and tyre combinations or a change to wheels from the accessories trade is not possible with the certificate statement attached here.



#### WARNING

*The fitting instructions and torque specifications for wheels from Votex genuine accessories may differ from those intended for wheels from Volkswagen genuine parts.*

*Therefore, always observe the torque settings for the wheel bolts as well as the respective fitting and operating instructions.*

### 19.1 Golf, Golf 4Motion, sales type 5K model year 2009 to model year 2011



#### Caution

*The Golf will be listed according to the sales types and not by the type approval model codes.*

*The type approval model code and the associated type approval number are listed as follows.*

#### Golf, type approval code 1K

Appendix to certificate statement 8106803334

The certificate statement can be found on the Volkswagen ServiceNet under Accessories/Tyres, Wheels and Tyres, Wheels and Tyres Guide.



Type Approval No.: e1\*2001/116\*0242\*25 to  
e1\*2001/116\*0242\*34

Overview

Model engine output	Tyres	Tyre size	Wheel rim	Off-set in mm	Snow chains	Remarks
1.2l 63 kW 1.2l 77 kW 1.4l 59 kW 1.6l 75 kW petrol engines  1.6l 75 kW; FlexFuel (Ethanol) 1.6l 75 kW BiFuel (LPG) 1.6l 66 kW TDI; 1.6l 77 kW TDI; diesel engine	Standard tyres	195/65 R 15 91T	6 J x 15 ⇒ <a href="#">page 99</a>	47	Yes	General information on: ◆ Winter tyres ⇒ <a href="#">page 14</a> ◆ Snow chains ⇒ <a href="#">page 17</a>
	Modification	195/65 R 15 91H/V	6 J x 15 ⇒ <a href="#">page 99</a>	47	Yes	Tyre makes recommended by Volkswagen:
		195/65 R 15 91T/H/V	6 1/2 J x 15 ⇒ <a href="#">page 100</a>	50	Yes	◆ Summer tyres ⇒ <a href="#">page 498</a> ◆ All-season tyres ⇒ <a href="#">page 522</a> ◆ Winter tyres ⇒ <a href="#">page 531</a>
		205/60 R 15 91T/H/V	6 J x 15 ⇒ <a href="#">page 99</a>	47	Yes	
		205/55 R 16 91T/H/V/W	6 1/2 J x 16 ⇒ <a href="#">page 102</a>	50	No	
		205/50 R 17 93T/H/V	6 J x 17 ⇒ <a href="#">page 107</a>	48.5	Yes*** ⇒ <a href="#">page 97</a>	
		225/45 R 17 91T/H/V/W	7 J x 17 ⇒ <a href="#">page 107</a>	54	No	
		225/45 R 17 91T/H/V/W * ⇒ <a href="#">page 96</a>	7 1/2 J x 17 ⇒ <a href="#">page 111</a>	51	No	* 225/45 R 17 91T/H/V/W tyres on 7 1/2 J x 17 rims with an offset of 51 are permitted only on vehicles with sports running gear!
		225/40 R 18 92Y** ⇒ <a href="#">page 96</a>	7 1/2 J x 18 ⇒ <a href="#">page 112</a>	51	No	** 225/40 R 18 92Y tyres on 7 1/2 J x 18 rims with an offset of 51 are permitted only on vehicles with sports running gear and a rear axle camber of -1°45'!
		Winter tyres	195/65 R 15 91Q/T/H	6 J x 15 ⇒ <a href="#">page 99</a>	47	Yes



Model engine output	Tyres	Tyre size	Wheel rim	Off-set in mm	Snow chains	Remarks
		205/55 R 16 91Q/T/H	6 J x 16 ⇒ <a href="#">page 101</a>	50	Yes	*** Only snow chains with fine links of no more than 8 mm may be used ⇒ Electronic Parts Catalogue „ETKA - Accessories Catalogue“ .
		205/50 R 17 93Q/T/H	6 J x 17 ⇒ <a href="#">page 107</a>	48.5	Yes*** ⇒ <a href="#">page 97</a>	
1.4l 90 kW petrol engine	Standard tyres	195/65 R 15 91H	6 J x 15 ⇒ <a href="#">page 99</a>	47	Yes	* 225/45 R 17 91H/V/W tyres on 7 1/2 J x 17 rims with an offset of 51 are permitted only on vehicles with sports running gear! ** 225/40 R 18 92Y tyres on 7 1/2 J x 18 rims with an offset of 51 are permitted only on vehicles with sports running gear and a rear axle camber of -1°45'!
2.0l 81 kW TDI; 2.0l 100 kW TDI; diesel engines  2.0l 103 kW TDI diesel engine with front-wheel drive	Modification	195/65 R 15 91V	6 J x 15 ⇒ <a href="#">page 99</a>	47	Yes	
		195/65 R 15 91H/V	6 1/2 J x 15 ⇒ <a href="#">page 100</a>	50	Yes	
		205/60 R 15 91H/V	6 J x 15 ⇒ <a href="#">page 99</a>	47	Yes	
		205/55 R 16 91H/V/W	6 1/2 J x 16 ⇒ <a href="#">page 102</a>	50	No	
		205/50 R 17 93H/V/W	6 J x 17 ⇒ <a href="#">page 107</a>	48.5	Yes*** ⇒ <a href="#">page 97</a>	
		225/45 R 17 91H/V/W	7 J x 17 ⇒ <a href="#">page 107</a>	54	No	
		225/45 R 17 91H/V/W * ⇒ <a href="#">page 97</a>	7 1/2 J x 17 ⇒ <a href="#">page 111</a>	51	No	
		225/40 R 18 92Y** ⇒ <a href="#">page 97</a>	7 1/2 J x 18 ⇒ <a href="#">page 112</a>	51	No	
		Winter tyres	195/65 R 15 91Q/T/H	6 J x 15 ⇒ <a href="#">page 99</a>	47	
205/55 R 16 91Q/T/H	6 J x 16 ⇒ <a href="#">page 101</a>		50	Yes		
205/50 R 17 93Q/T/H	6 J x 17 ⇒ <a href="#">page 107</a>		48.5	Yes*** ⇒ <a href="#">page 97</a>		
2.0l 103 kW TDI diesel engine with four-wheel drive	Standard tyres	205/55 R 16 91H	6 1/2 J x 16 ⇒ <a href="#">page 102</a>	50	No	



Model engine output	Tyres	Tyre size	Wheel rim	Off-set in mm	Snow chains	Remarks
	Modification	205/55 R 16 91V/W	6 <sup>1</sup> / <sub>2</sub> J x 16 ⇒ <a href="#">page 102</a>	50	No	<p>* 225/45 R 17 91H/V/W tyres on 7<sup>1</sup>/<sub>2</sub> J x 17 rims with an offset of 51 are permitted only on vehicles with sports running gear!</p> <p>** 225/40 R 18 92Y tyres on 7<sup>1</sup>/<sub>2</sub> J x 18 rims with an offset of 51 are permitted only on vehicles with sports running gear and a rear axle camber of -1°45'!</p> <p>*** Only snow chains with fine links of no more than 8 mm may be used ⇒ Electronic Parts Catalogue „ETKA - Accessories Catalogue“ .</p>
		205/50 R 17 93H/V/W	6 J x 17 ⇒ <a href="#">page 107</a>	48.5	Yes*** ⇒ <a href="#">page 97</a>	
		225/45 R 17 91H/V/W	7 J x 17 ⇒ <a href="#">page 107</a>	54	No	
		225/45 R 17 91H/V/W * ⇒ <a href="#">page 98</a>	7 <sup>1</sup> / <sub>2</sub> J x 17 ⇒ <a href="#">page 111</a>	51	No	
		225/40 R 18 92Y** ⇒ <a href="#">page 98</a>	7 <sup>1</sup> / <sub>2</sub> J x 18 ⇒ <a href="#">page 112</a>	51	No	
	Winter tyres	205/55 R 16 91Q/T/H	6 J x 16 ⇒ <a href="#">page 101</a>	50	Yes	
		205/50 R 17 93Q/T/H	6 J x 17 ⇒ <a href="#">page 107</a>	48.5	Yes*** ⇒ <a href="#">page 98</a>	
1.4l 118 kW; 1.8l 118 kW petrol engine	Standard tyres	205/55 R 16 91V	6 <sup>1</sup> / <sub>2</sub> J x 16 ⇒ <a href="#">page 102</a>	50	No	
	Modification	205/50 R 17 93V/W	6 J x 17 ⇒ <a href="#">page 107</a>	48.5	Yes*** ⇒ <a href="#">page 97</a>	
		225/45 R 17 91V/W	7 J x 17 ⇒ <a href="#">page 107</a>	54	No	
		225/45 R 17 91V/W* ⇒ <a href="#">page 98</a>	7 <sup>1</sup> / <sub>2</sub> J x 17 ⇒ <a href="#">page 111</a>	51	No	
		225/40 R 18 92Y** ⇒ <a href="#">page 98</a>	7 <sup>1</sup> / <sub>2</sub> J x 18 ⇒ <a href="#">page 112</a>	51	No	



Model engine output	Tyres	Tyre size	Wheel rim	Off-set in mm	Snow chains	Remarks
	Winter tyres	205/55 R 16 91Q/T/H	6 J x 16 ⇒ <a href="#">page 101</a>	50	Yes	*** Only snow chains with fine links of no more than 8 mm may be used ⇒ Electronic Parts Catalogue „ETKA - Accessories Catalogue“ .
		205/50 R 17 93Q/T/H	6 J x 17 ⇒ <a href="#">page 107</a>	48.5	Yes*** ⇒ <a href="#">page 99</a>	

Tyre inflation pressures are located on a sticker in fuel tank flap or in ⇒ Maintenance ; Booklet ; Check tyres: condition, profile, inflation pressure, depth of tread

## 19.2 Wheel allocation for Golf, Golf 4Motion, sales type 5K model year 2009 to model year 2011

**Golf, type approval code 1K**

Explanation of information on wheels ⇒ [page 58](#)

Torque settings for wheel bolts ⇒ Running gear, axles, steering;  
Rep. gr. 44 Torque settings for fitting wheels

Pitch circle diameter: 112 mm

Number of wheel bolt holes: 5

### 19.2.1 6 J x 15

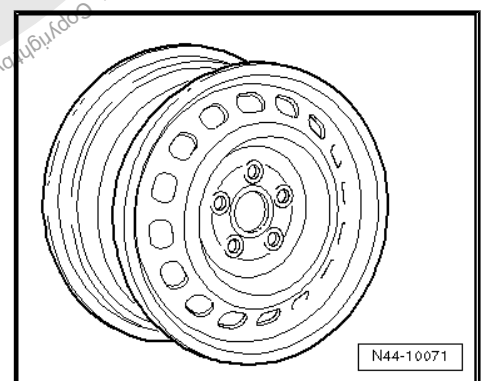


#### Caution

*Observe the allocation of wheels and tyres to the respective engines, which are listed in the overview table ⇒ [page 96](#) .*

1K0 601 027 H - Wheel and tyre combination ⇒ [page 96](#)

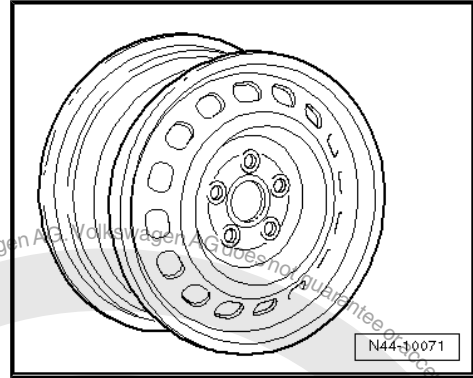
Size:	6 J x 15
Wheel offset in mm:	47
Wheel load in kg:	615





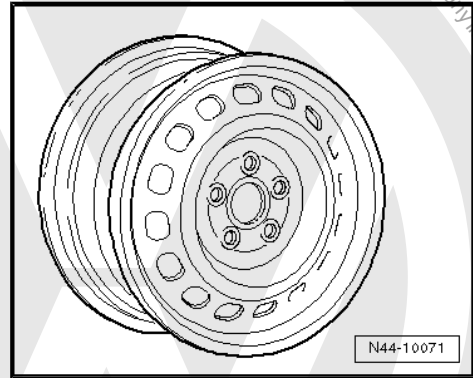
**1K0 601 027 C, 1K0 601 027 T - Wheel and tyre combination**  
⇒ [page 96](#)

Size:	6 J x 15
Wheel offset in mm:	47
Wheel load in kg:	615



**2K0 601 027 - Wheel and tyre combination** ⇒ [page 96](#)

Size:	6 J x 15
Wheel offset in mm:	47
Wheel load in kg:	650



**19.2.2 6<sup>1</sup>/<sub>2</sub> J x 15**

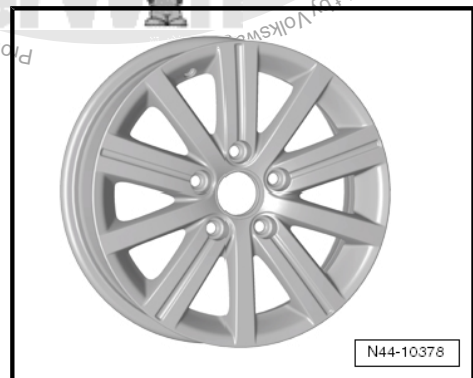


**Caution**

*Observe the allocation of wheels and tyres to the respective engines, which are listed in the overview table ⇒ [page 96](#).*

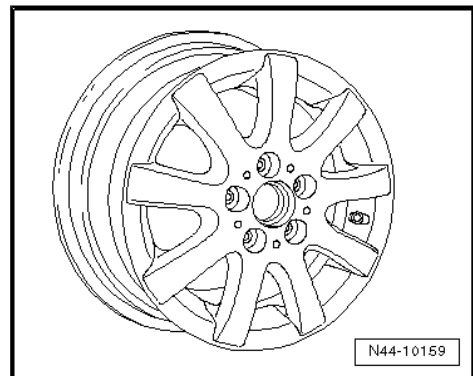
**5k0 601 025 J - Wheel and tyre combination** ⇒ [page 96](#)

Size:	6 <sup>1</sup> / <sub>2</sub> J x 15
Wheel offset in mm:	50
Wheel load in kg:	600



**1K0 601,025 A - Wheel and tyre combination** ⇒ [page 96](#)

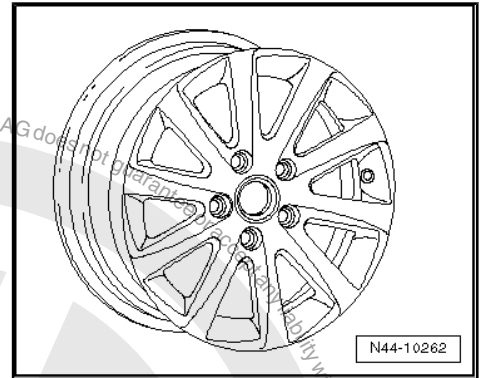
Size:	6 <sup>1</sup> / <sub>2</sub> J x 15
Wheel offset in mm:	50
Wheel load in kg:	600





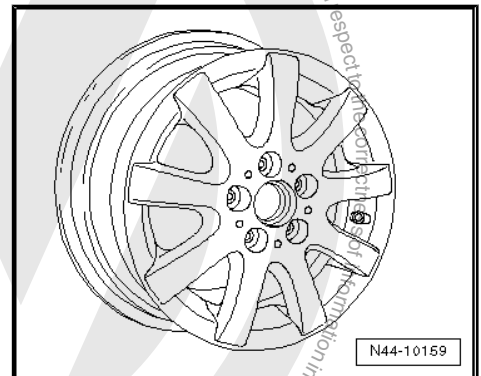
**1K0 601 025 AK - Wheel and tyre combination ⇒ page 96**

Size:	6 <sup>1</sup> / <sub>2</sub> J x 15
Wheel offset in mm:	50
Wheel load in kg:	600



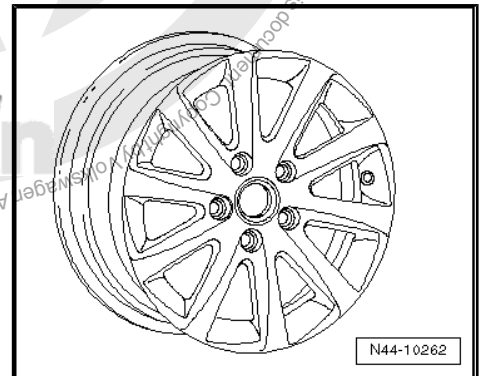
**1K0 601 025 AQ - Wheel and tyre combination ⇒ page 96**

Size:	6 <sup>1</sup> / <sub>2</sub> J x 15
Wheel offset in mm:	50
Wheel load in kg:	600




**1K0 601 025 CA - Wheel and tyre combination ⇒ page 96**

Size:	6 <sup>1</sup> / <sub>2</sub> J x 15
Wheel offset in mm:	50
Wheel load in kg:	600



**19.2.3 6 J x 16**

	<p><b>Caution</b></p> <p><i>Observe the allocation of wheels and tyres to the respective engines, which are listed in the overview table ⇒ page 96 .</i></p>
---	--



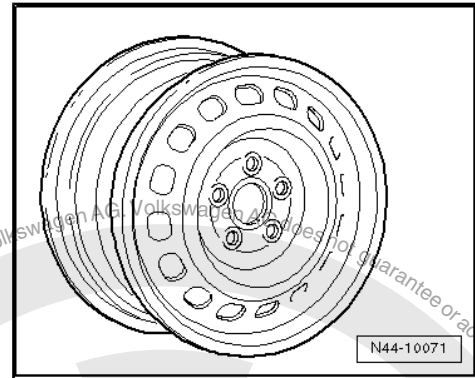
### Winter wheels

#### 8P0 601 027 - Wheel and tyre combination ⇒ [page 97](#)

Size:	6 J x 16
Wheel offset in mm:	50
Wheel load in kg:	600

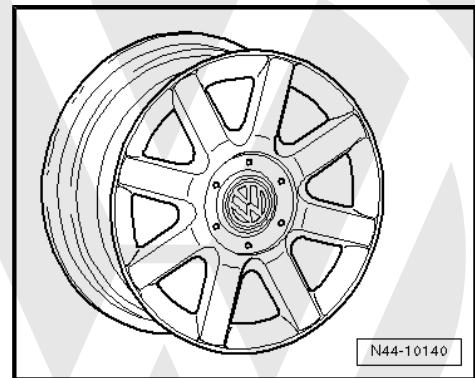
Use the following wheel bolt caps for wheel bolts:

- ◆ 1K0.601.173 (4 per wheel)
- ◆ 1K0.601.173.A (1 per wheel)



#### 1K0 601 025 Q - Wheel and tyre combination ⇒ [page 97](#)

Size:	6 J x 16 EH2 ⇒ <a href="#">page 58</a>
Wheel offset in mm:	50
Wheel load in kg:	615



### 19.2.4 6<sup>1</sup>/<sub>2</sub> J x 16

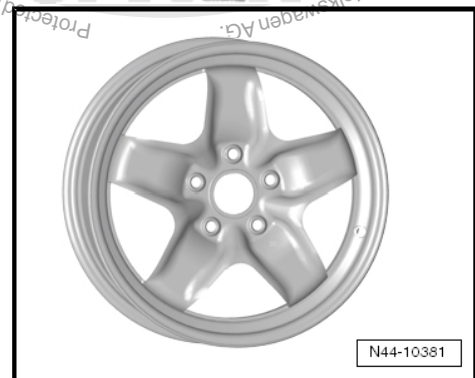


#### Caution

*Observe the allocation of wheels and tyres to the respective engines, which are listed in the overview table ⇒ [page 96](#).*

#### 5K0 601 027 - Wheel and tyre combination ⇒ [page 96](#)

Size:	6 <sup>1</sup> / <sub>2</sub> J x 16
Wheel offset in mm:	50
Wheel load in kg:	615







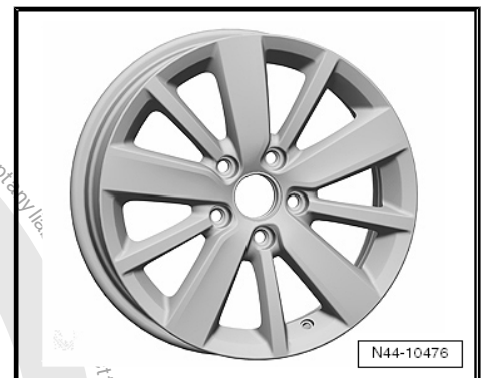
**5K0 601 025 E - Wheel and tyre combination ⇒ page 96**

Size:	6 <sup>1</sup> / <sub>2</sub> J x 16
Wheel offset in mm:	50
Wheel load in kg:	615



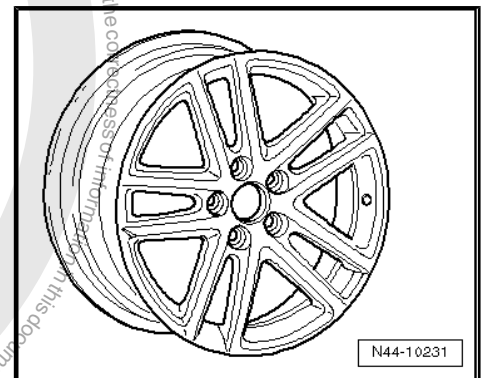
**5K0 601 025 S - Wheel and tyre combination ⇒ page 96**

Size:	6 <sup>1</sup> / <sub>2</sub> J x 16
Wheel offset in mm:	50
Wheel load in kg:	615



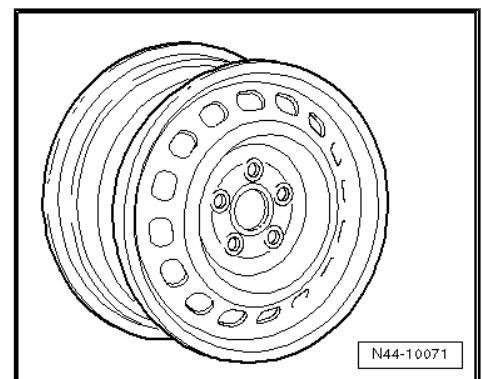
**1K0 601 025 BM - Wheel and tyre combination ⇒ page 96**

Size:	6 <sup>1</sup> / <sub>2</sub> J x 16
Wheel offset in mm:	50
Wheel load in kg:	615



**1K0 601 027 A - Wheel and tyre combination ⇒ page 96**

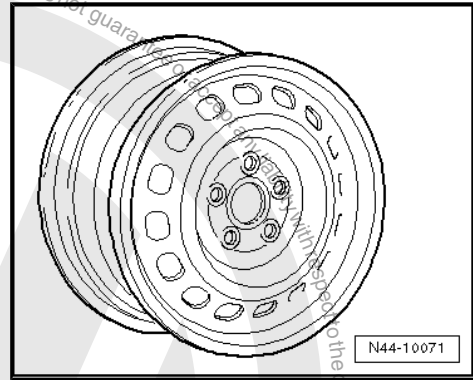
Size:	6 <sup>1</sup> / <sub>2</sub> J x 16
Wheel offset in mm:	50
Wheel load in kg:	615





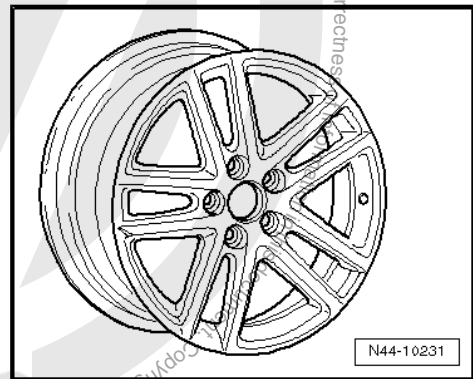
**1K0 601 027 J - Wheel and tyre combination ⇒ page 96**

Size:	6 <sup>1</sup> / <sub>2</sub> J x 16
Wheel offset in mm:	50
Wheel load in kg:	615



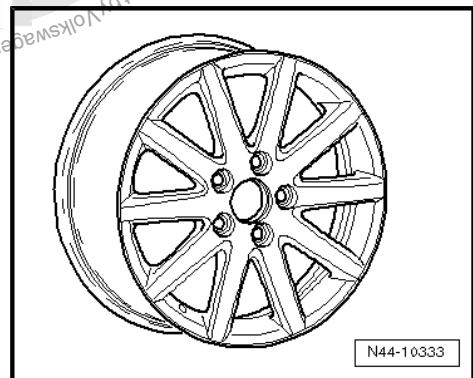
**1K0 601 025 AJ - Wheel and tyre combination ⇒ page 96**

Size:	6 <sup>1</sup> / <sub>2</sub> J x 16
Wheel offset in mm:	50
Wheel load in kg:	615



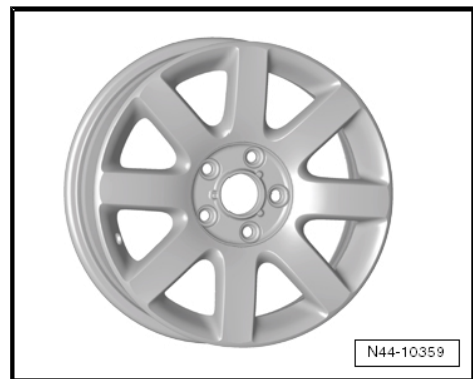
**1K0 601 025 BC - Wheel and tyre combination ⇒ page 96**

Size:	6 <sup>1</sup> / <sub>2</sub> J x 16
Wheel offset in mm:	50
Wheel load in kg:	615



**1K0 601 025 BR - Wheel and tyre combination ⇒ page 96**

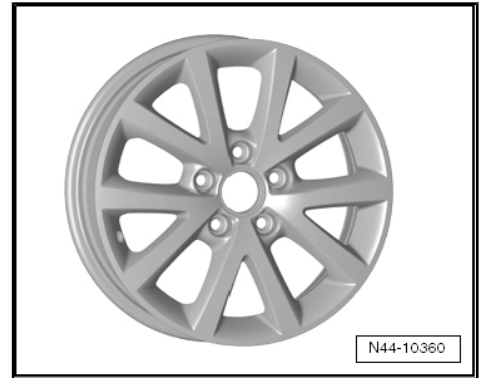
Size:	6 <sup>1</sup> / <sub>2</sub> J x 16
Wheel offset in mm:	50
Wheel load in kg:	615





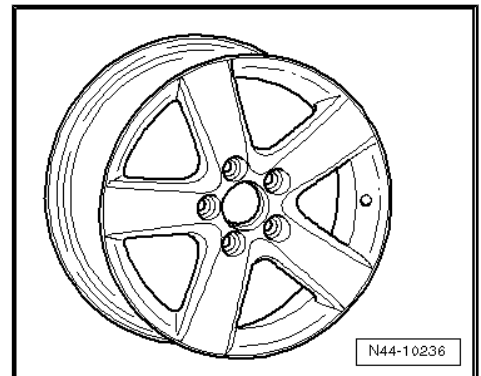
**1K0 601 025 BS - Wheel and tyre combination ⇒ page 96**

Size:	6 <sup>1</sup> / <sub>2</sub> J x 16
Wheel offset in mm:	50
Wheel load in kg:	615



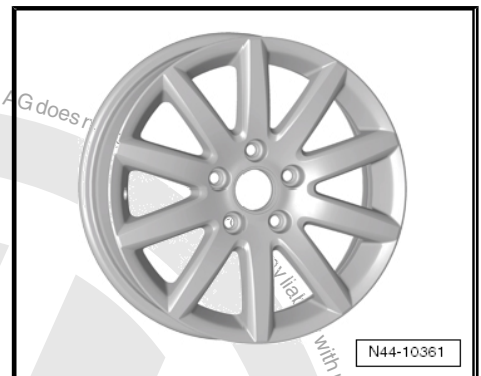
**1K0 601 025 CB - Wheel and tyre combination ⇒ page 96**

Size:	6 <sup>1</sup> / <sub>2</sub> J x 16
Wheel offset in mm:	50
Wheel load in kg:	615



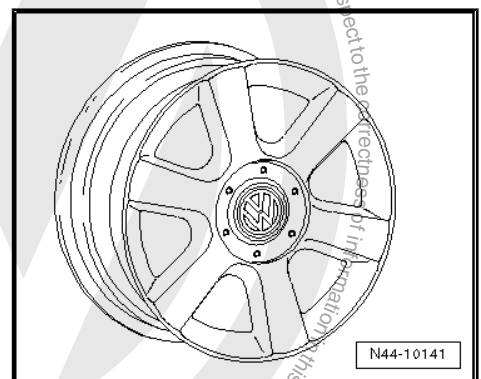
**1K0 601 025 CG - Wheel and tyre combination ⇒ page 96**

Size:	6 <sup>1</sup> / <sub>2</sub> J x 16
Wheel offset in mm:	50
Wheel load in kg:	615



**1T0 601 025 C - Wheel and tyre combination ⇒ page 96**

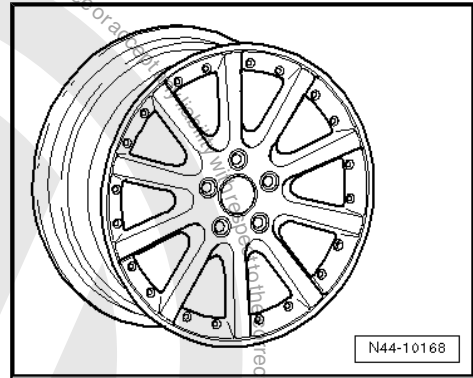
Size:	6 <sup>1</sup> / <sub>2</sub> J x 16
Wheel offset in mm:	50
Wheel load in kg:	615





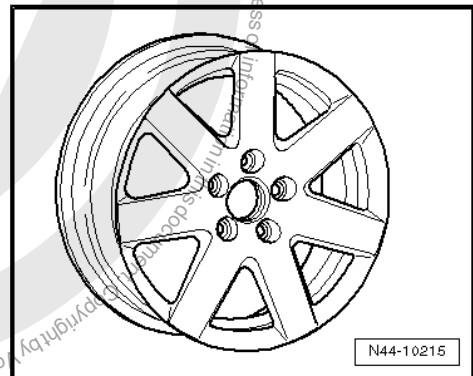
**1K0 601 025 F - Wheel and tyre combination ⇒ page 96**

Size:	6 <sup>1</sup> / <sub>2</sub> J x 16
Wheel offset in mm:	50
Wheel load in kg:	615



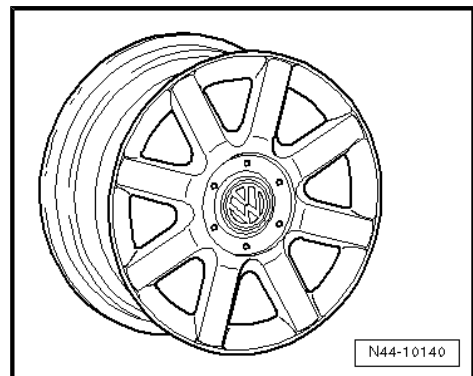
**1K0 601 025 P - Wheel and tyre combination ⇒ page 96**

Size:	6 <sup>1</sup> / <sub>2</sub> J x 16
Wheel offset in mm:	50
Wheel load in kg:	615



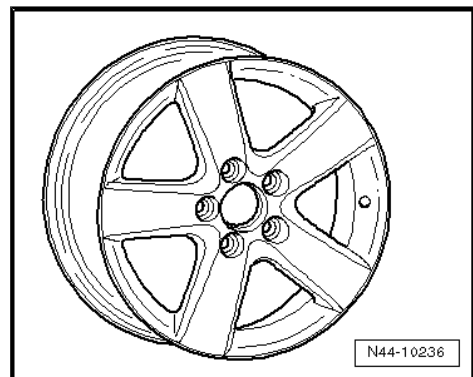
**1K0 601 025 R - Wheel and tyre combination ⇒ page 96**

Size:	6 <sup>1</sup> / <sub>2</sub> J x 16
Wheel offset in mm:	50
Wheel load in kg:	615



**1T0 601 025 G, 1T0 601 025 K - Wheel and tyre combination  
⇒ page 96**

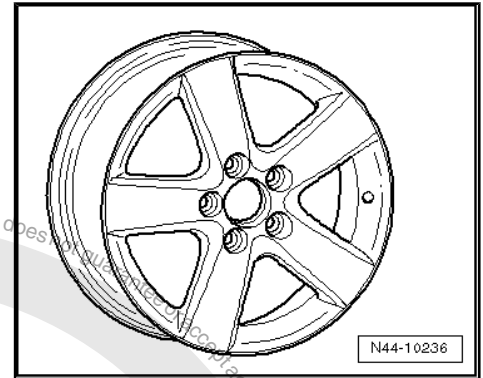
Size:	6 <sup>1</sup> / <sub>2</sub> J x 16
Wheel offset in mm:	50
Wheel load in kg:	615





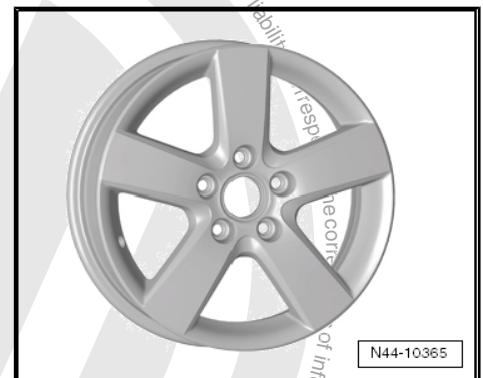
**1T0 601 025 M - Wheel and tyre combination ⇒ page 96**

Size:	6 <sup>1</sup> / <sub>2</sub> J x 16
Wheel offset in mm:	50
Wheel load in kg:	615



**1T0 601 025 R - Wheel and tyre combination ⇒ page 96**

Size:	6 <sup>1</sup> / <sub>2</sub> J x 16
Wheel offset in mm:	50
Wheel load in kg:	615



**19.2.5 6 J x 17**



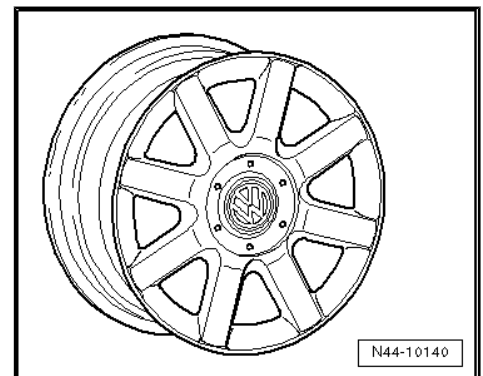
**Caution**

*Observe the allocation of wheels and tyres to the respective engines, which are listed in the overview table ⇒ page 96 .*

**Winter wheel**

**1K0 601 025 N - Wheel and tyre combination ⇒ page 97**

Size:	6 J x 17
Wheel offset in mm:	48.5
Wheel load in kg:	615



**19.2.6 7 J x 17**



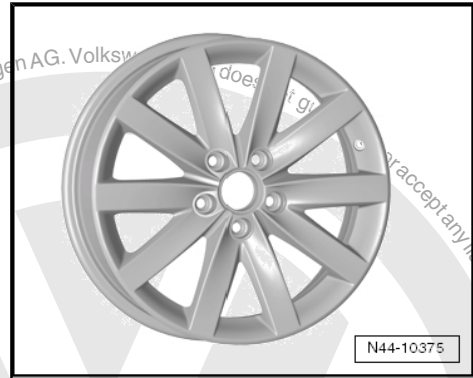
**Caution**

*Observe the allocation of wheels and tyres to the respective engines, which are listed in the overview table ⇒ page 96 .*



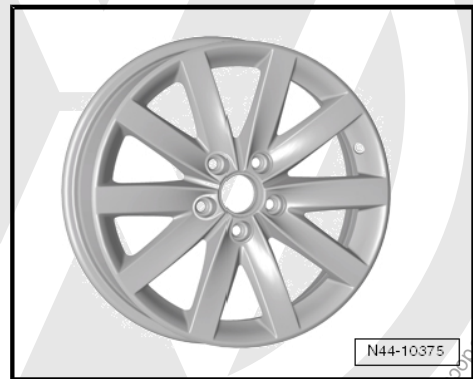
**5K0 601 025 D - Wheel and tyre combination ⇒ page 96**

Size:	7 J x 17
Wheel offset in mm:	54
Wheel load in kg:	615



**5K0 601 025 F - Wheel and tyre combination ⇒ page 96**

Size:	7 J x 17
Wheel offset in mm:	54
Wheel load in kg:	615



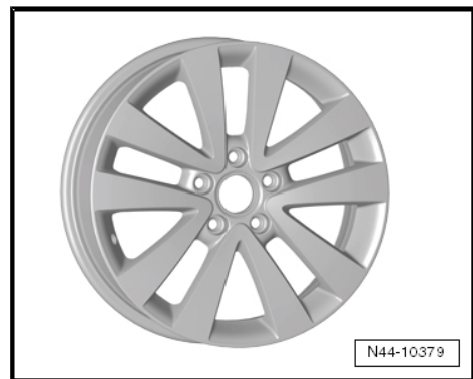
**5K0 601 025 K - Wheel and tyre combination ⇒ page 96**

Size:	7 J x 17
Wheel offset in mm:	54
Wheel load in kg:	615



**5K0 601 025 Q, 5K0 601 025 R - Wheel and tyre combination  
⇒ page 96**

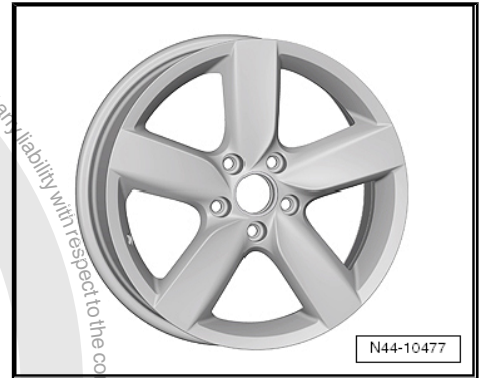
Size:	7 J x 17
Wheel offset in mm:	54
Wheel load in kg:	615





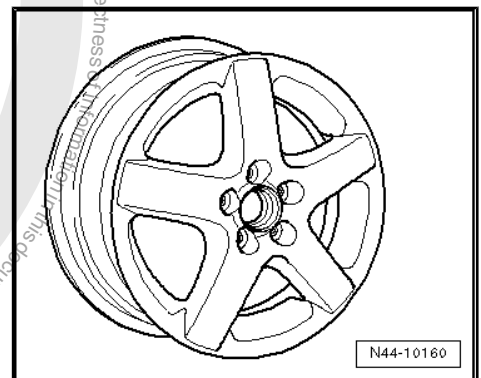
**5K0 601 025 AA - Wheel and tyre combination ⇒ page 96**

Size:	7 J x 17
Wheel offset in mm:	54
Wheel load in kg:	615



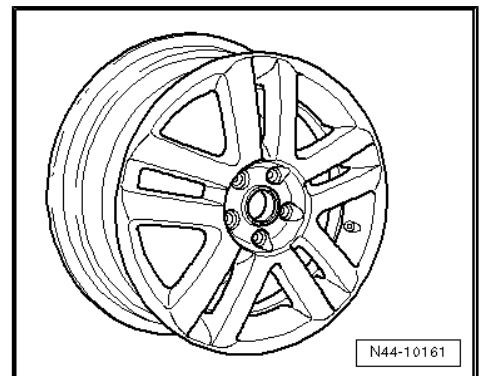
**1K0 601 025 B - Wheel and tyre combination ⇒ page 96**

Size:	7 J x 17
Wheel offset in mm:	54
Wheel load in kg:	615



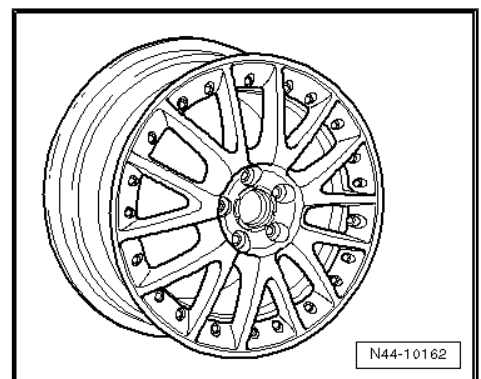
**1K0 601,025 C - Wheel and tyre combination ⇒ page 96**

Size:	7 J x 17
Wheel offset in mm:	54
Wheel load in kg:	615



**1K0 601 025 J - Wheel and tyre combination ⇒ page 96**

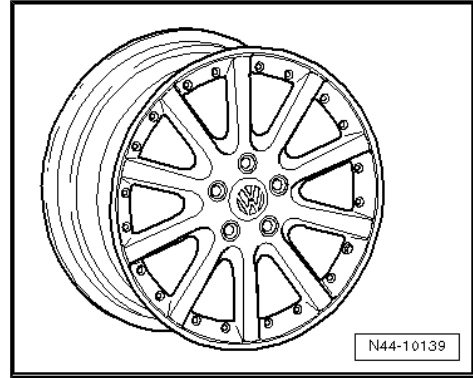
Size:	7 J x 17
Wheel offset in mm:	54
Wheel load in kg:	615





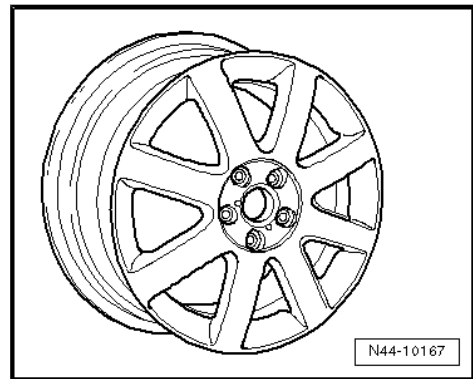
**1K0 601 025 K - Wheel and tyre combination ⇒ page 96**

Size:	7 J x 17
Wheel offset in mm:	54
Wheel load in kg:	615



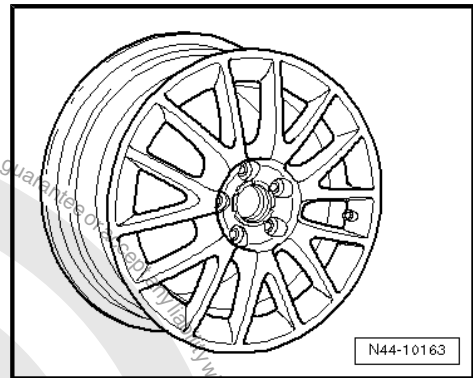
**1K0 601 025 M - Wheel and tyre combination ⇒ page 96**

Size:	7 J x 17
Wheel offset in mm:	54
Wheel load in kg:	615



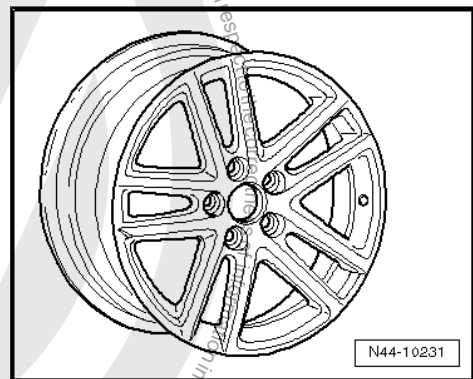
**1K0 601 025 T - Wheel and tyre combination ⇒ page 96**

Size:	7 J x 17
Wheel offset in mm:	54
Wheel load in kg:	615



**1K0 601 025 AF - Wheel and tyre combination ⇒ page 96**

Size:	7 J x 17
Wheel offset in mm:	54
Wheel load in kg:	630



Protected by copyright. Copying for private or commercial purposes in part or in whole, is not permitted unless authorised by Volkswagen AG. Volkswagen AG does not guarantee the accuracy of this document. Copyright by Volkswagen AG.

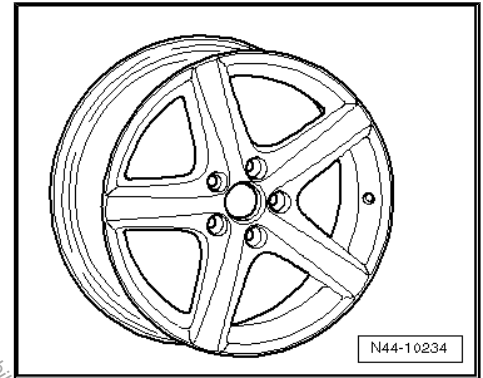






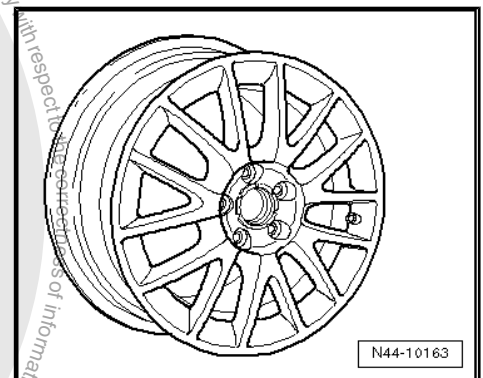
**1K0 601 025 AE - Wheel and tyre combination ⇒ page 96**

Size:	7 J x 17
Wheel offset in mm:	54
Wheel load in kg:	630



**1K0 601 025 AN - Wheel and tyre combination ⇒ page 96**

Size:	7 J x 17
Wheel offset in mm:	54
Wheel load in kg:	615



**19.2.7 7<sup>1</sup>/<sub>2</sub> J x 17**

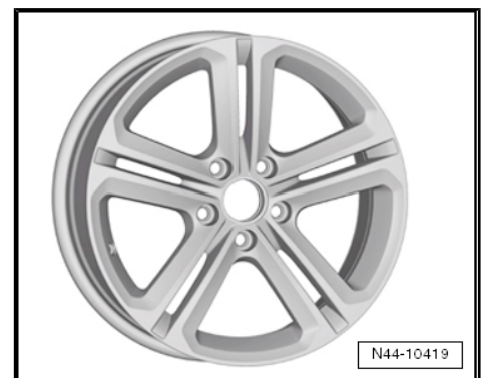
**Caution**

*Observe the allocation of wheels and tyres to the respective engines, which are listed in the overview table ⇒ page 96.*

**5K0 601 025 N - Wheel and tyre combination ⇒ page 96**

Only vehicles with sports running gear

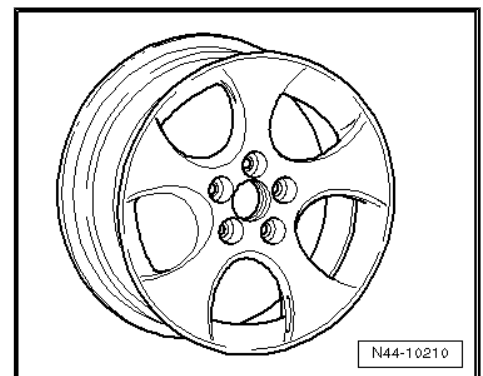
Size:	7 <sup>1</sup> / <sub>2</sub> J x 17
Wheel offset in mm:	51
Wheel load in kg:	630



**1K0 601 025 BB - Wheel and tyre combination ⇒ page 96**

Only vehicles with sports running gear

Size:	7 <sup>1</sup> / <sub>2</sub> J x 17
Wheel offset in mm:	51
Wheel load in kg:	615

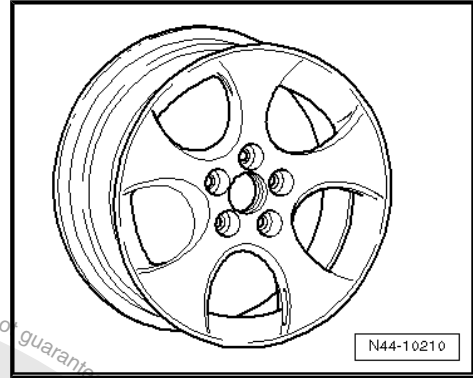




**1K0 601 025 AC - Wheel and tyre combination ⇒ page 96**

Only vehicles with sports running gear

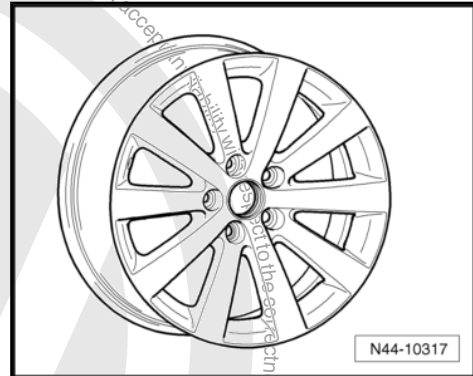
Size:	7 <sup>1</sup> / <sub>2</sub> J x 17
Wheel offset in mm:	51
Wheel load in kg:	615



**1K0 601 025 BK - Wheel and tyre combination ⇒ page 96**

Only vehicles with sports running gear

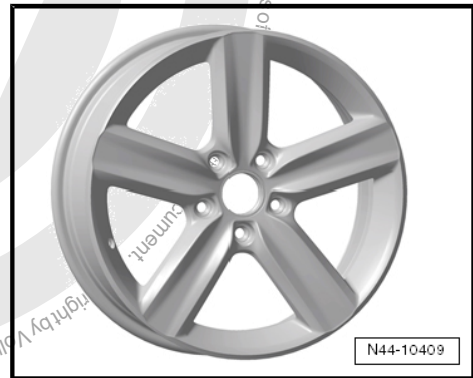
Size:	7 <sup>1</sup> / <sub>2</sub> J x 17
Wheel offset in mm:	51
Wheel load in kg:	615



**5K0 601 025 G - Wheel and tyre combination ⇒ page 96**

Only vehicles with sports running gear

Size:	7 <sup>1</sup> / <sub>2</sub> J x 17
Wheel offset in mm:	51
Wheel load in kg:	630



**19.2.8 7<sup>1</sup>/<sub>2</sub> J x 18**

	<b>Caution</b>
<i>Observe the allocation of wheels and tyres to the respective engines, which are listed in the overview table ⇒ page 96 .</i>	

**5K0 601 025 H - Wheel and tyre combination ⇒ page 96**

Only for vehicles with sports running gear and rear axle camber of -1°45'

Size:	7 <sup>1</sup> / <sub>2</sub> J x 18
Wheel offset in mm:	51
Wheel load in kg:	630

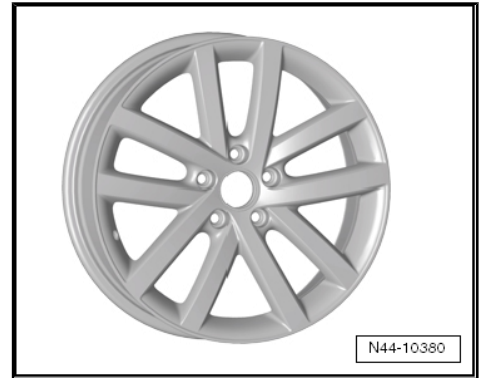




**5K0 601 025 L - Wheel and tyre combination ⇒ page 96**

Only for vehicles with sports running gear and rear axle camber of -1°45'

Size:	7 <sup>1</sup> / <sub>2</sub> J x 18
Wheel offset in mm:	51
Wheel load in kg:	615



**5K0 601 025 P - Wheel and tyre combination ⇒ page 96**

Only for vehicles with sports running gear and rear axle camber of -1°45'

Size:	7 <sup>1</sup> / <sub>2</sub> J x 18
Wheel offset in mm:	51
Wheel load in kg:	630



**5K0 601 025 AC - Wheel and tyre combination ⇒ page 96**

Only for vehicles with sports running gear and rear axle camber of -1°45'

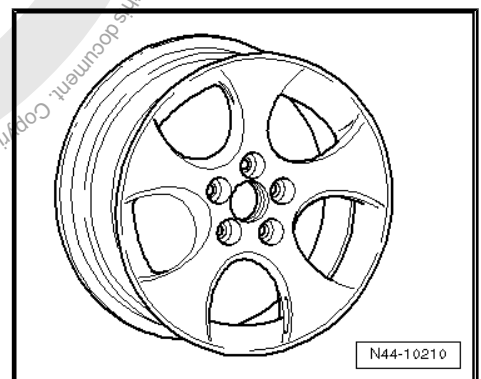
Size:	7 <sup>1</sup> / <sub>2</sub> J x 18
Wheel offset in mm:	51
Wheel load in kg:	630



**1K0 601 025 BA - Wheel and tyre combination ⇒ page 96**

Only for vehicles with sports running gear and rear axle camber of -1°45'

Size:	7 <sup>1</sup> / <sub>2</sub> J x 18
Wheel offset in mm:	51
Wheel load in kg:	615

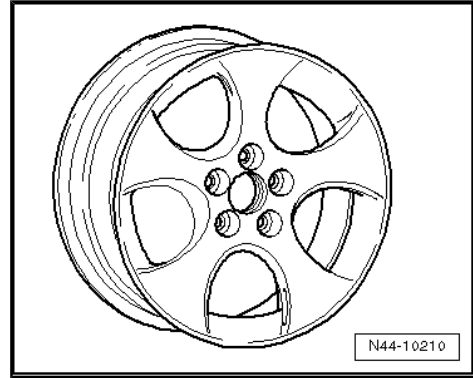




**1K0 601 025 AH - Wheel and tyre combination ⇒ page 96**

Only for vehicles with sports running gear and rear axle camber of  $-1^{\circ}45'$

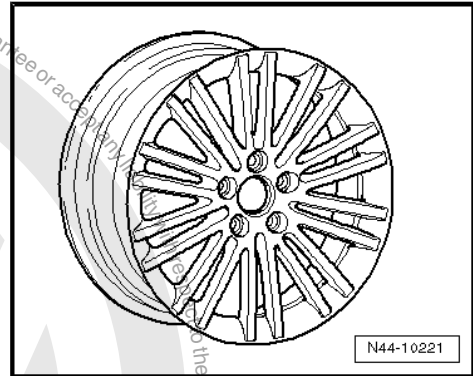
Size:	7 $\frac{1}{2}$ J x 18
Wheel offset in mm:	51
Wheel load in kg:	615



**1K0 601 025 AD - Wheel and tyre combination ⇒ page 96**

Only for vehicles with sports running gear and rear axle camber of  $-1^{\circ}45'$

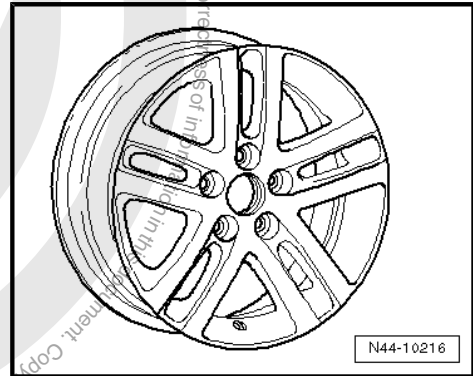
Size:	7 $\frac{1}{2}$ J x 18
Wheel offset in mm:	51
Wheel load in kg:	630



**1K0 601 025 AG - Wheel and tyre combination ⇒ page 96**

Only for vehicles with sports running gear and rear axle camber of  $-1^{\circ}45'$

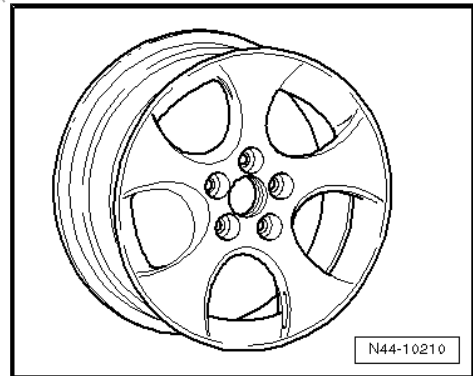
Size:	7 $\frac{1}{2}$ J x 18
Wheel offset in mm:	51
Wheel load in kg:	630



**1K0 601 025 AM - Wheel and tyre combination ⇒ page 96**

Only for vehicles with sports running gear and rear axle camber of  $-1^{\circ}45'$

Size:	7 $\frac{1}{2}$ J x 18
Wheel offset in mm:	51
Wheel load in kg:	615

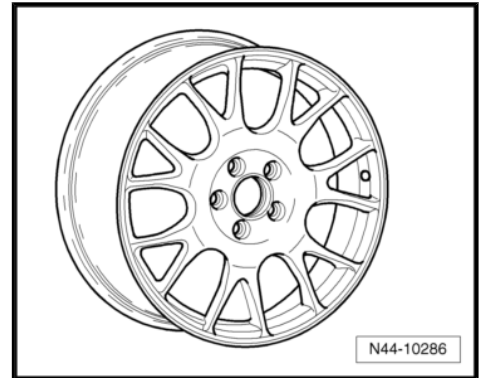




**1K0 601 025 AT, 1K0 601 025 CC - Wheel and tyre combination**  
 ⇒ [page 96](#)

Only for vehicles with sports running gear and rear axle camber of -1°45'

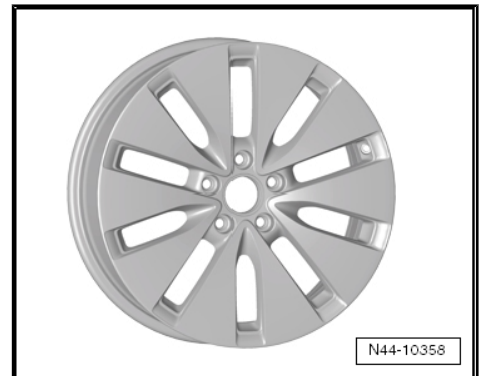
Size:	7 <sup>1</sup> / <sub>2</sub> J x 18
Wheel offset in mm:	51
Wheel load in kg:	615



**1K0 601 025 BE - Wheel and tyre combination** ⇒ [page 96](#)

Only for vehicles with sports running gear and rear axle camber of -1°45'

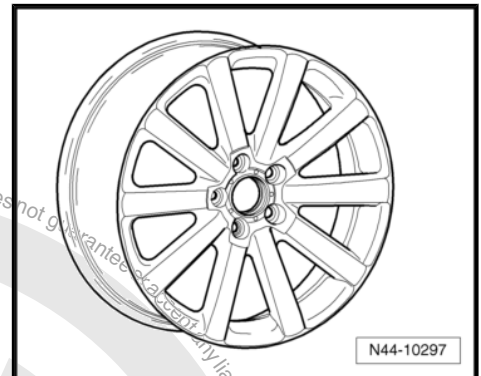
Size:	7 <sup>1</sup> / <sub>2</sub> J x 18
Wheel offset in mm:	51
Wheel load in kg:	615



**1K0 601 025 BL - Wheel and tyre combination** ⇒ [page 96](#)

Only for vehicles with sports running gear and rear axle camber of -1°45'

Size:	7 <sup>1</sup> / <sub>2</sub> J x 18
Wheel offset in mm:	51
Wheel load in kg:	615



Protected by copyright. Copying for private or commercial purposes, in part or in whole, is not permitted unless authorised by Volkswagen AG. Volkswagen AG does not guarantee liability with respect to the correctness of information in this document. Copyright by Volkswagen AG.



## 20 Golf BlueMotion from model year 2009

### General

Volkswagen vehicles are built according to the latest findings in safety engineering. To keep it that way, we recommend the use of only genuine Volkswagen spare parts. You can recognise this by the VW Audi logo and by the part number. It has been established that these parts are reliable, safe and suitable.

Despite constant appraisal of the market, we cannot assess other products on these points, even when in isolated cases they have been passed by official inspectors or have been granted official approval. Therefore, we cannot, of course, assume any liability if these products are installed.



#### WARNING

*The products from Volkswagen genuine parts and Votex genuine accessories may differ in fitting requirements, torque specifications and so on.*

*Always follow the respective fitting and operating instructions.*

The wheel and tyre combinations or changes listed in the vehicle tables refer exclusively to Volkswagen Genuine wheels. Approval of wheel and tyre combinations or a change to wheels from the accessories trade is not possible with the certificate statement attached here.



#### WARNING

*The fitting instructions and torque specifications for wheels from Votex genuine accessories may differ from those intended for wheels from Volkswagen genuine parts.*

*Therefore, always observe the torque settings for the wheel bolts as well as the respective fitting and operating instructions.*

### 20.1 Golf BlueMotion, sales type 5K model year 2009 to model year 2011



#### Caution

*The Golf BlueMotion will be listed according to the sales types and not by the type approval model codes.*

*The type approval model code and the associated type approval number are listed as follows.*

Golf BlueMotion, type approval code 1K

Appendix to certificate statement 8106803334

The certificate statement can be found on the Volkswagen ServiceNet under Accessories/Tyres, Wheels and Tyres, Wheels and Tyres Guide.



Type Approval No.: e1\*2001/116\*0242\*26 to  
e1\*2001/116\*0242\*34

Overview

Model engine output	Tyres	Tyre size	Wheel rim	Off-set in mm	Snow chains	Remarks
1.2l 77 kW petrol engine  1.6l 77 kW TDI; 2.0 l 81 kW TDI; diesel engine	Standard tyres	195/65 R 15 91T	6 J x 15 ⇒ <a href="#">page 118</a>	47	Yes	General information on: ◆ Winter tyres ⇒ <a href="#">page 14</a> ◆ Snow chains ⇒ <a href="#">page 17</a>
	Modification	195/65 R 15 91H/V	6 J x 15 ⇒ <a href="#">page 118</a>	47	Yes	Tyre makes recommended by Volkswagen: ◆ Summer tyres ⇒ <a href="#">page 499</a> ◆ Winter tyres ⇒ <a href="#">page 531</a>
		195/65 R 15 91T/H/V	6 1/2 J x 15 ⇒ <a href="#">page 119</a>	50	Yes	
		205/60 R 15 91T/H/V	6 J x 15 ⇒ <a href="#">page 118</a>	47	Yes	
	205/55 R 16 91T/H/V/W	6 1/2 J x 16 ⇒ <a href="#">page 120</a>	50	No		
Winter tyres	195/65 R 15 91Q/T/H	6 J x 15 ⇒ <a href="#">page 118</a>	47	Yes		
2.0 l 100 kW TDI; 2.0 l 103 kW TDI; diesel engine	Standard tyres	195/65 R 15 91H	6 J x 15 ⇒ <a href="#">page 118</a>	47	Yes	Protected by copyright. Copying for private use is permitted unless authorised by Volkswagen AG. Volkswagen AG does not guarantee or accept any liability with respect to the correctness of information in this document. Copyright by Volkswagen AG.
	Modification	195/65 R 15 91V	6 J x 15 ⇒ <a href="#">page 118</a>	47	Yes	
		195/65 R 15 91H/V	6 1/2 J x 15 ⇒ <a href="#">page 119</a>	50	Yes	
		205/60 R 15 91H/V	6 J x 15 ⇒ <a href="#">page 118</a>	47	Yes	
		205/55 R 16 91H/V/W	6 1/2 J x 16 ⇒ <a href="#">page 120</a>	50	No	
	Winter tyres	195/65 R 15 91Q/T/H	6 J x 15 ⇒ <a href="#">page 118</a>	47	Yes	

Tyre inflation pressures are located on a sticker in fuel tank flap or in ⇒ Maintenance ; Booklet ; Check tyres: condition, profile, inflation pressure, depth of tread .



## 20.2 Wheel allocation for Golf BlueMotion, sales type 5K model year 2009 to model year 2011

Golf BlueMotion, type approval code 1K

Explanation of information on wheels ⇒ [page 58](#)

Torque settings for wheel bolts ⇒ Running gear, axles, steering;  
Rep. gr. 44 ; Torque settings for fitting wheels

Pitch circle diameter: 112 mm  
Number of wheel bolt holes: 5

### 20.2.1 6 J x 15

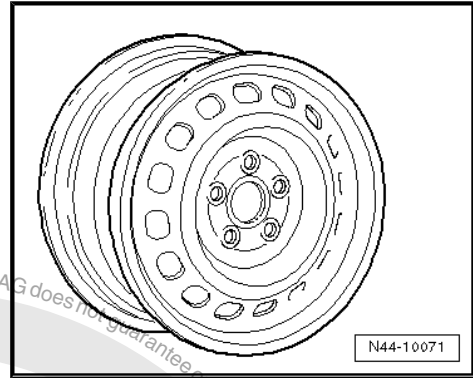


#### Caution

*Observe the allocation of wheels and tyres to the respective engines, which are listed in the overview table ⇒ [page 117](#).*

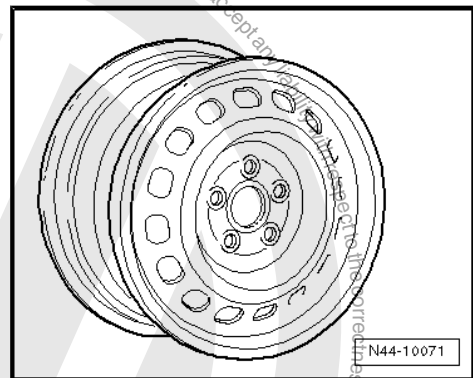
1K0 601 027 C, 1K0 601 027 H - Wheel and tyre combination  
⇒ [page 117](#)

Size:	6 J x 15
Wheel offset in mm:	47
Wheel load in kg:	615



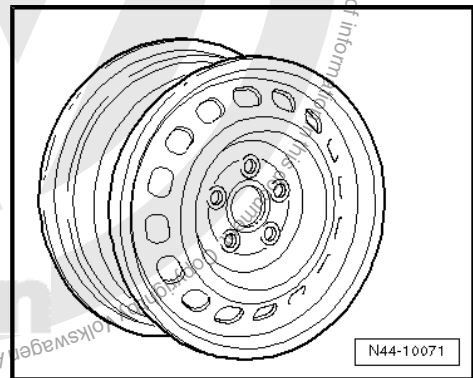
1K0 601,027 T - Wheel and tyre combination ⇒ [page 117](#)

Size:	6 J x 15
Wheel offset in mm:	47
Wheel load in kg:	615



2K0 601 027 - Wheel and tyre combination ⇒ [page 117](#)

Size:	6 J x 15
Wheel offset in mm:	47
Wheel load in kg:	650







## 20.2.2 6<sup>1</sup>/<sub>2</sub> J x 15

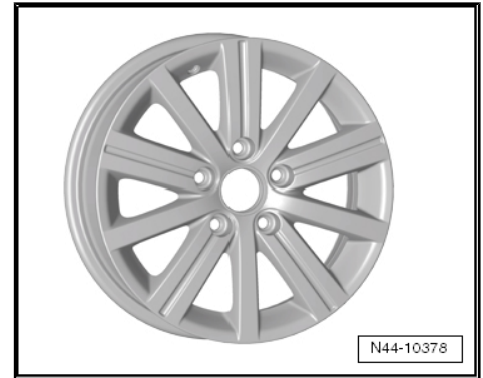


### Caution

*Observe the allocation of wheels and tyres to the respective engines, which are listed in the overview table ⇒ [page 117](#).*

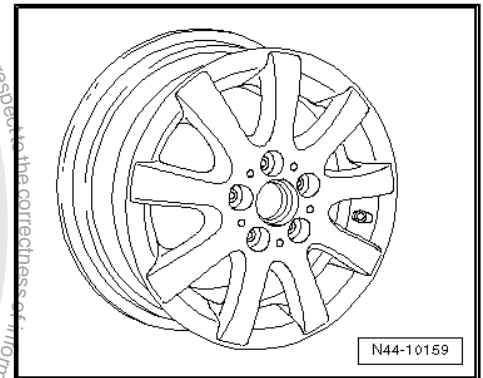
### 5k0 601 025 J - Wheel and tyre combination ⇒ [page 117](#)

Size:	6 <sup>1</sup> / <sub>2</sub> J x 15
Wheel offset in mm:	50
Wheel load in kg:	600



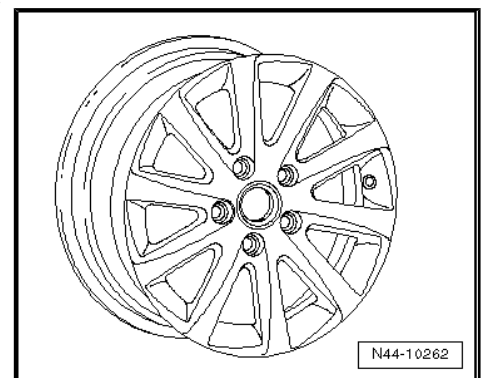
### 1K0 601,025 A - Wheel and tyre combination ⇒ [page 117](#)

Size:	6 <sup>1</sup> / <sub>2</sub> J x 15
Wheel offset in mm:	50
Wheel load in kg:	600



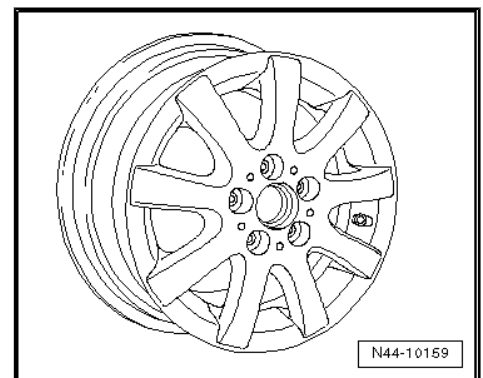
### 1K0 601 025 AK - Wheel and tyre combination ⇒ [page 117](#)

Size:	6 <sup>1</sup> / <sub>2</sub> J x 15
Wheel offset in mm:	50
Wheel load in kg:	600



### 1K0 601 025 AQ - Wheel and tyre combination ⇒ [page 117](#)

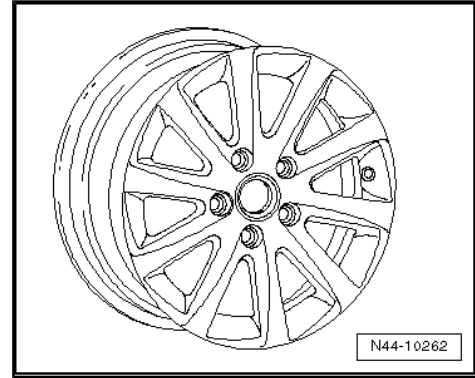
Size:	6 <sup>1</sup> / <sub>2</sub> J x 15
Wheel offset in mm:	50
Wheel load in kg:	600





**1K0 601 025 CA - Wheel and tyre combination ⇒ page 117**

Size:	6 <sup>1</sup> / <sub>2</sub> J x 15
Wheel offset in mm:	50
Wheel load in kg:	600



**20.2.3 6<sup>1</sup>/<sub>2</sub> J x 16**

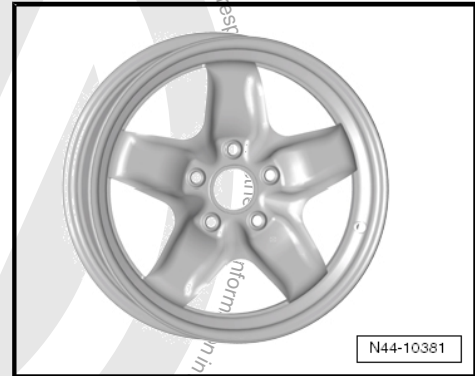


**Caution**

*Observe the allocation of wheels and tyres to the respective engines, which are listed in the overview table ⇒ page 117.*

**5K0 601 027 - Wheel and tyre combination ⇒ page 117**

Size:	6 <sup>1</sup> / <sub>2</sub> J x 16
Wheel offset in mm:	50
Wheel load in kg:	615



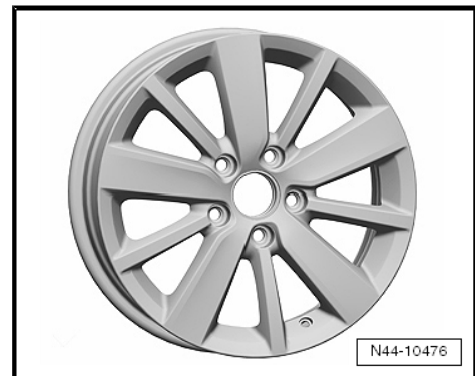
**5K0 601 025 E - Wheel and tyre combination ⇒ page 117**

Size:	6 <sup>1</sup> / <sub>2</sub> J x 16
Wheel offset in mm:	50
Wheel load in kg:	615



**5K0 601 025 S - Wheel and tyre combination ⇒ page 117**

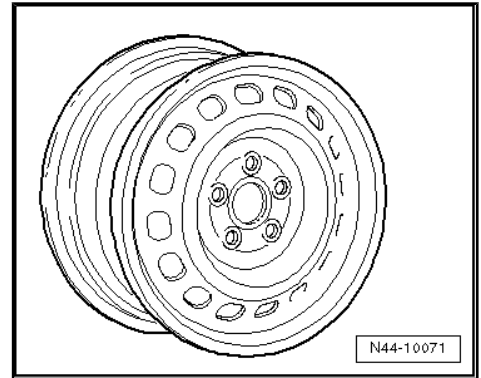
Size:	6 <sup>1</sup> / <sub>2</sub> J x 16
Wheel offset in mm:	50
Wheel load in kg:	615





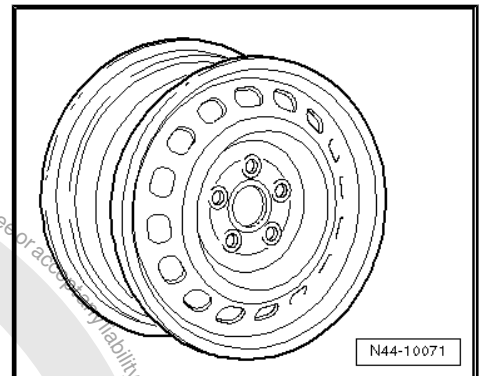
**1K0 601 027 A - Wheel and tyre combination ⇒ page 117**

Size:	6 <sup>1</sup> / <sub>2</sub> J x 16
Wheel offset in mm:	50
Wheel load in kg:	615



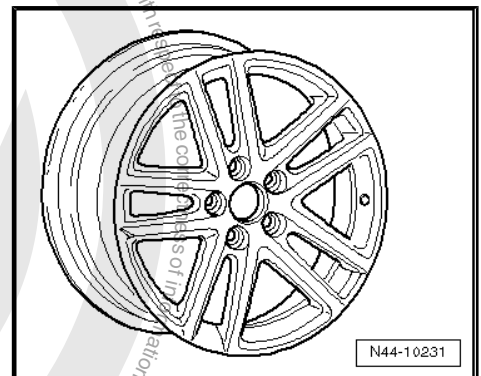
**1K0 601 027 J - Wheel and tyre combination ⇒ page 117**

Size:	6 <sup>1</sup> / <sub>2</sub> J x 16
Wheel offset in mm:	50
Wheel load in kg:	615



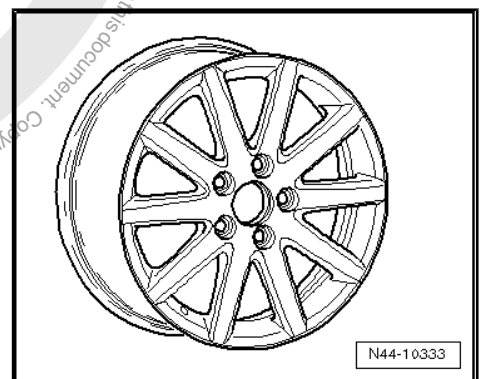
**1K0 601 025 AJ - Wheel and tyre combination ⇒ page 117**

Size:	6 <sup>1</sup> / <sub>2</sub> J x 16
Wheel offset in mm:	50
Wheel load in kg:	615



**1K0 601 025 BC - Wheel and tyre combination ⇒ page 117**

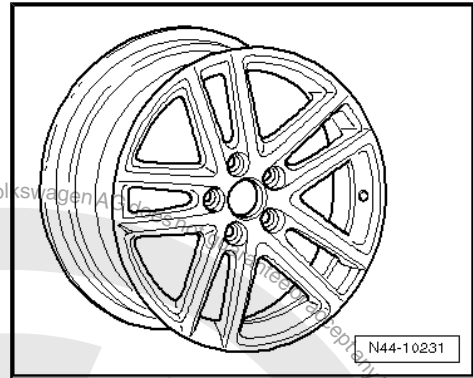
Size:	6 <sup>1</sup> / <sub>2</sub> J x 16
Wheel offset in mm:	50
Wheel load in kg:	615





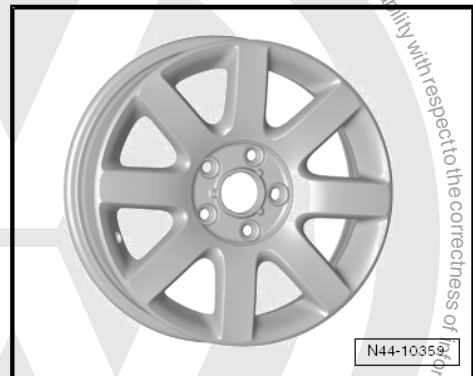
**1K0 601 025 BM - Wheel and tyre combination ⇒ [page 117](#)**

Size:	6 <sup>1</sup> / <sub>2</sub> J x 16
Wheel offset in mm:	50
Wheel load in kg:	615



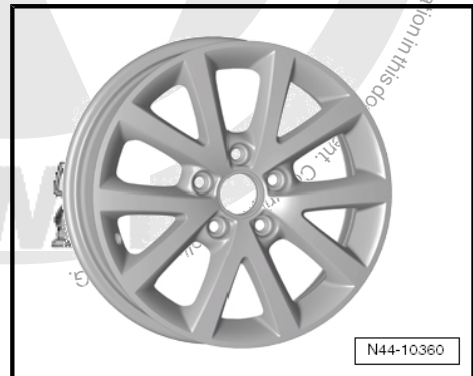
**1K0 601 025 BR - Wheel and tyre combination ⇒ [page 117](#)**

Size:	6 <sup>1</sup> / <sub>2</sub> J x 16
Wheel offset in mm:	50
Wheel load in kg:	615



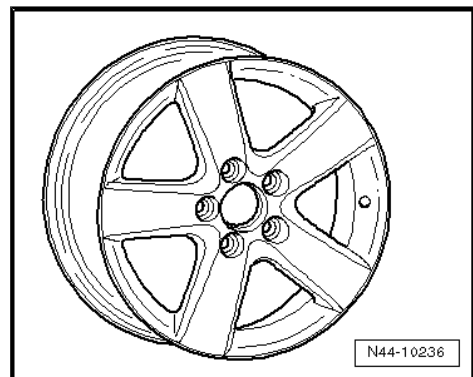
**1K0 601 025 BS - Wheel and tyre combination ⇒ [page 117](#)**

Size:	6 <sup>1</sup> / <sub>2</sub> J x 16
Wheel offset in mm:	50
Wheel load in kg:	615



**1K0 601 025 CB - Wheel and tyre combination ⇒ [page 117](#)**

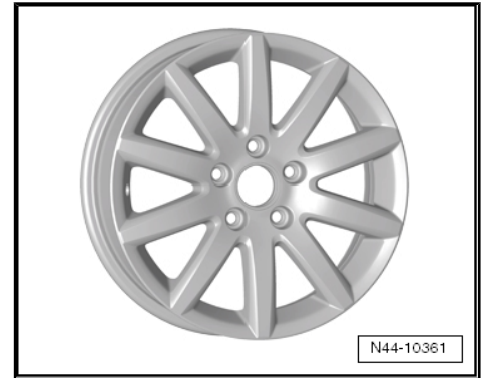
Size:	6 <sup>1</sup> / <sub>2</sub> J x 16
Wheel offset in mm:	50
Wheel load in kg:	615





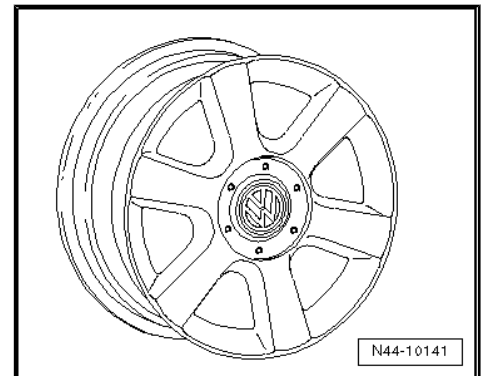
**1K0 601 025 CG - Wheel and tyre combination ⇒ [page 117](#)**

Size:	6 <sup>1</sup> / <sub>2</sub> J x 16
Wheel offset in mm:	50
Wheel load in kg:	615



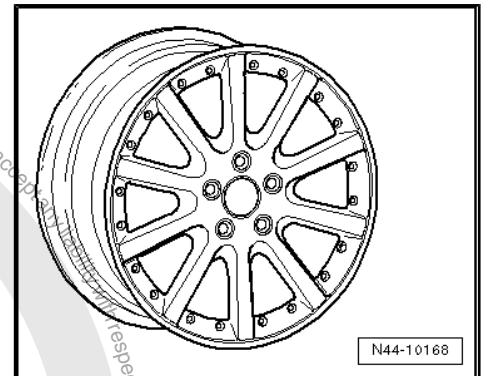
**1T0 601 025 C - Wheel and tyre combination ⇒ [page 117](#)**

Size:	6 <sup>1</sup> / <sub>2</sub> J x 16
Wheel offset in mm:	50
Wheel load in kg:	615



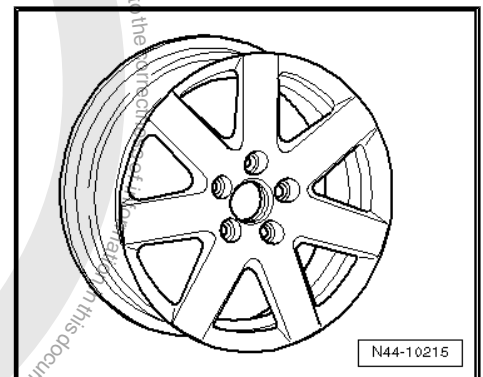
**1K0 601 025 F - Wheel and tyre combination ⇒ [page 117](#)**

Size:	6 <sup>1</sup> / <sub>2</sub> J x 16
Wheel offset in mm:	50
Wheel load in kg:	615



**1K0 601 025 P - Wheel and tyre combination ⇒ [page 117](#)**

Size:	6 <sup>1</sup> / <sub>2</sub> J x 16
Wheel offset in mm:	50
Wheel load in kg:	615



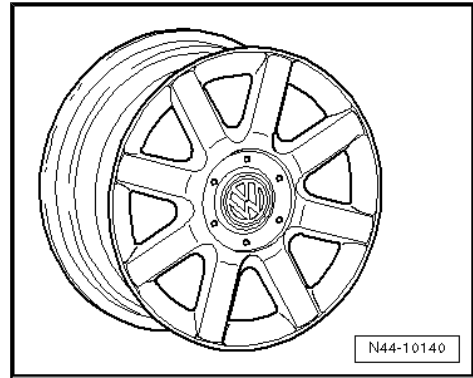
Protected by copyright. Copying for private or commercial purposes, in whole, is not permitted unless authorised by Volkswagen AG. Volkswagen AG does not guarantee or accept responsibility for the accuracy of the information in this document.





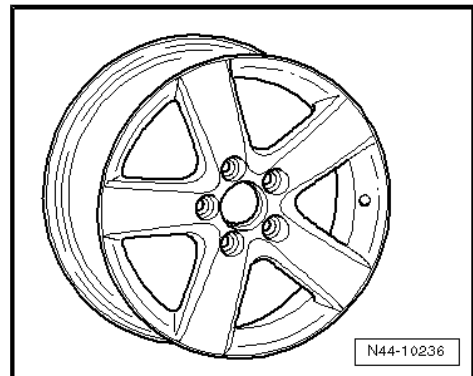
**1K0 601 025 R - Wheel and tyre combination ⇒ page 117**

Size:	6 <sup>1</sup> / <sub>2</sub> J x 16
Wheel offset in mm:	50
Wheel load in kg:	615



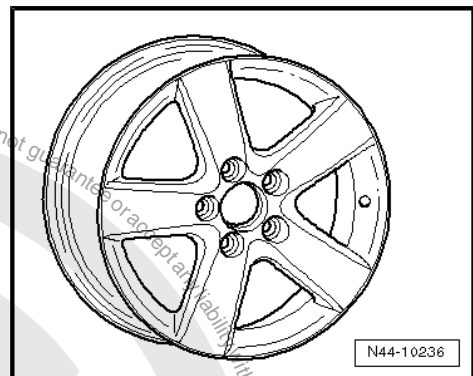
**1T0 601 025 G, 1T0 601 025 K - Wheel and tyre combination ⇒ page 117**

Size:	6 <sup>1</sup> / <sub>2</sub> J x 16
Wheel offset in mm:	50
Wheel load in kg:	615



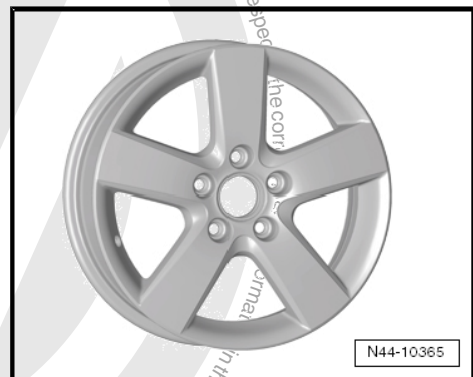
**1T0 601 025 M - Wheel and tyre combination ⇒ page 117**

Size:	6 <sup>1</sup> / <sub>2</sub> J x 16
Wheel offset in mm:	50
Wheel load in kg:	615



**1T0 601 025 R - Wheel and tyre combination ⇒ page 117**

Size:	6 <sup>1</sup> / <sub>2</sub> J x 16
Wheel offset in mm:	50
Wheel load in kg:	615





## 21 Golf GTD from model year 2010

### General

Volkswagen vehicles are built according to the latest findings in safety engineering. To keep it that way, we recommend the use of only genuine Volkswagen spare parts. You can recognise this by the VW Audi logo and by the part number. It has been established that these parts are reliable, safe and suitable.

Despite constant appraisal of the market, we cannot assess other products on these points, even when in isolated cases they have been passed by official inspectors or have been granted official approval. Therefore, we cannot, of course, assume any liability if these products are installed.



#### WARNING

*The products from Volkswagen genuine parts and Votex genuine accessories may differ in fitting requirements, torque specifications and so on.*

*Always follow the respective fitting and operating instructions.*

The wheel and tyre combinations or changes listed in the vehicle tables refer exclusively to Volkswagen Genuine wheels. Approval of wheel and tyre combinations or a change to wheels from the accessories trade is not possible with the certificate statement attached here.



#### WARNING

*The fitting instructions and torque specifications for wheels from Votex genuine accessories may differ from those intended for wheels from Volkswagen genuine parts.*

*Therefore, always observe the torque settings for the wheel bolts as well as the respective fitting and operating instructions.*

### 21.1 Golf GTD, sales type 5K, model year 2010 to model year 2011



#### Caution

*The Golf GTD will be listed according to the sales types and not by the type approval model codes.*

*The type approval model code and the associated type approval number are listed as follows.*

#### Golf GTD, type approval code 1K

Appendix to certificate statement 8106803334

The certificate statement can be found on the Volkswagen ServiceNet under Accessories/Tyres, Wheels and Tyres, Wheels and Tyres Guide.



Type Approval No.: e1\*2001/116\*0242\*29 to  
e1\*2001/116\*0242\*34

Overview

Model engine output	Tyres	Tyre size	Wheel rim	Off-set in mm	Snow chains	Remarks	
2.0l 125 kW TDI; diesel engine	Standard tyres	225/45 R 17 91V	7 J x 17 ⇒ <a href="#">page 133</a>	54	No	General information on: ◆ Winter tyres ⇒ <a href="#">page 14</a> ◆ Snow chains ⇒ <a href="#">page 17</a>	
	Modification	205/55 R 16 91V	6 <sup>1</sup> / <sub>2</sub> J x 16 ⇒ <a href="#">page 127</a>	50	No	Tyre makes recommended by Volkswagen: ◆ Summer tyres ⇒ <a href="#">page 500</a> ◆ Winter tyres ⇒ <a href="#">page 532</a>	
		205/50 R 17 93V	6 J x 17 ⇒ <a href="#">page 132</a>	48.5	Yes*** ⇒ <a href="#">page 126</a>		
		225/45 R 17 91V* ⇒ <a href="#">page 126</a>	7 <sup>1</sup> / <sub>2</sub> J x 17 ⇒ <a href="#">page 136</a>	51	No		* 225/45 R 17 91V tyres on 7 <sup>1</sup> / <sub>2</sub> J x 17 rims with an offset of 51 are permitted only on vehicles with sports running gear!
		225/40 R 18 92Y** ⇒ <a href="#">page 126</a>	7 <sup>1</sup> / <sub>2</sub> J x 18 ⇒ <a href="#">page 138</a>	51	No		** 225/40 R 18 92Y tyres on 7 <sup>1</sup> / <sub>2</sub> J x 18 rims with an offset of 51 are permitted only on vehicles with sports running gear and a rear axle camber of -1°45'!
		Winter tyres	205/55 R 16 91Q/T/H	6 J x 16 ⇒ <a href="#">page 127</a>	50		Yes
		205/50 R 17 93Q/T/H	6 J x 17 ⇒ <a href="#">page 132</a>	48.5	Yes*** ⇒ <a href="#">page 126</a>		

Tyre inflation pressures are located on a sticker in fuel tank flap or in ⇒ Maintenance ; Booklet ; Check tyres: condition, profile, inflation pressure, depth of tread .





## 21.2 Wheel allocation for Golf GTD, type 5K model year 2010 to model year 2011

Golf GTD, type approval code 1K

Explanation of information on wheels ⇒ [page 58](#)

Torque settings for wheel bolts ⇒ Running gear, axles, steering;  
Rep. gr. 44 ; Torque settings for fitting wheels

Pitch circle diameter: 112 mm  
Number of wheel bolt holes: 5

### 21.2.1 6 J x 16



#### Caution

**Observe the allocation of wheels and tyres to the respective engines, which are listed in the overview table ⇒ [page 126](#).**

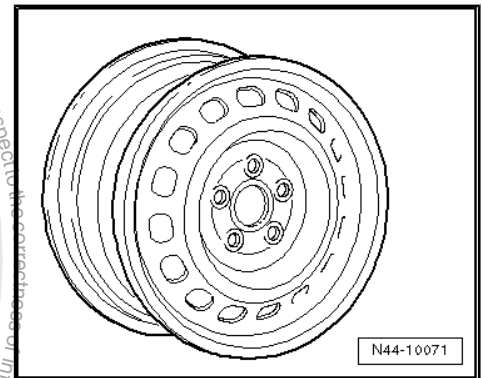
#### Winter wheels

8P0 601 027 - Wheel and tyre combination ⇒ [page 126](#)

Size:	6 J x 16
Wheel offset in mm:	50
Wheel load in kg:	600

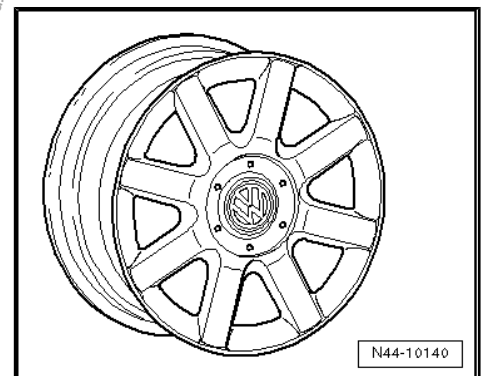
Use the following wheel bolt caps for wheel bolts:

- ◆ 1K0.601.173 (4 per wheel)
- ◆ 1K0.601.173.A (1 per wheel)



1K0 601 025 Q - Wheel and tyre combination ⇒ [page 126](#)

Size:	6 J x 16 EH2 ⇒ <a href="#">page 58</a>
Wheel offset in mm:	50
Wheel load in kg:	615



### 21.2.2 6 1/2 J x 16



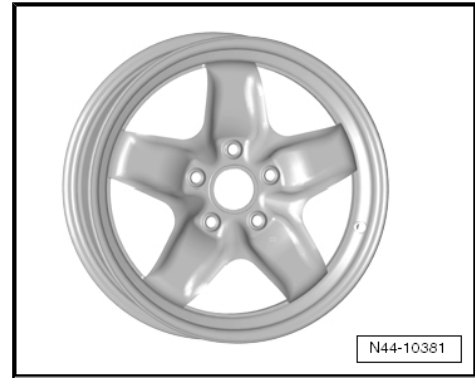
#### Caution

**Observe the allocation of wheels and tyres to the respective engines, which are listed in the overview table ⇒ [page 126](#).**



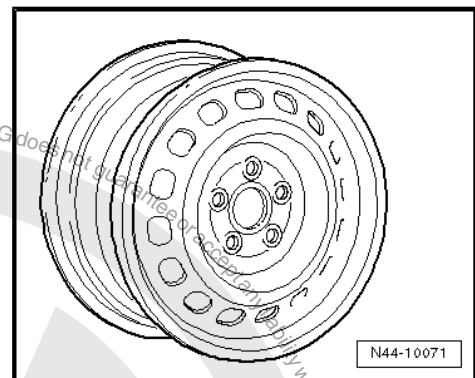
**5K0 601 027 - Wheel and tyre combination ⇒ page 126**

Size:	6 <sup>1</sup> / <sub>2</sub> J x 16
Wheel offset in mm:	50
Wheel load in kg:	615



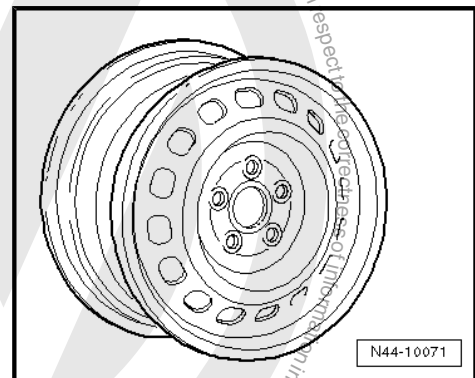
**1K0 601 027 A - Wheel and tyre combination ⇒ page 126**

Size:	6 <sup>1</sup> / <sub>2</sub> J x 16
Wheel offset in mm:	50
Wheel load in kg:	615



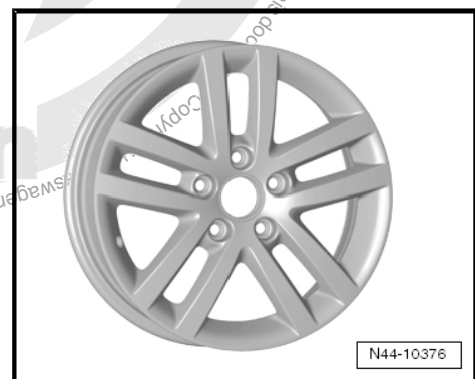
**1K0 601 027 J - Wheel and tyre combination ⇒ page 126**

Size:	6 <sup>1</sup> / <sub>2</sub> J x 16
Wheel offset in mm:	50
Wheel load in kg:	615



**5K0 601 025 E - Wheel and tyre combination ⇒ page 126**

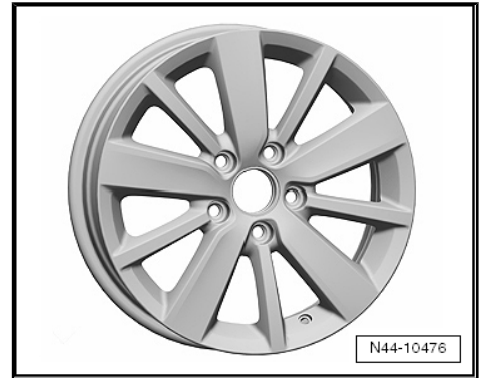
Size:	6 <sup>1</sup> / <sub>2</sub> J x 16
Wheel offset in mm:	50
Wheel load in kg:	615





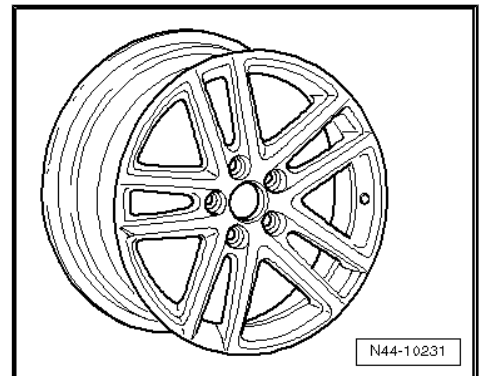
**5K0 601 025 S - Wheel and tyre combination ⇒ page 126**

Size:	6 <sup>1</sup> / <sub>2</sub> J x 16
Wheel offset in mm:	50
Wheel load in kg:	615



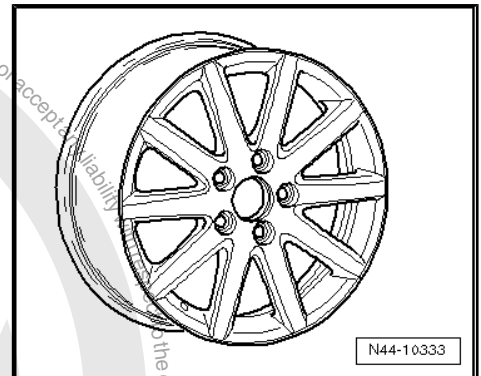
**1K0 601 025 AJ - Wheel and tyre combination ⇒ page 126**

Size:	6 <sup>1</sup> / <sub>2</sub> J x 16
Wheel offset in mm:	50
Wheel load in kg:	615



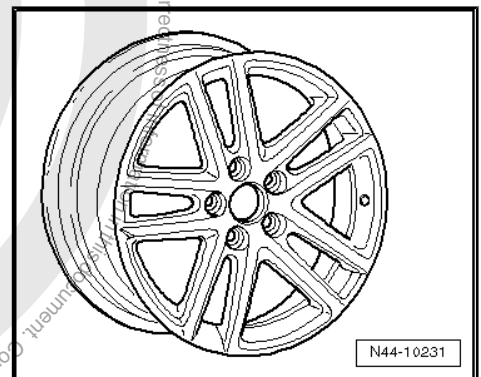
**1K0 601 025 BC - Wheel and tyre combination ⇒ page 126**

Size:	6 <sup>1</sup> / <sub>2</sub> J x 16
Wheel offset in mm:	50
Wheel load in kg:	615



**1K0 601 025 BM - Wheel and tyre combination ⇒ page 126**

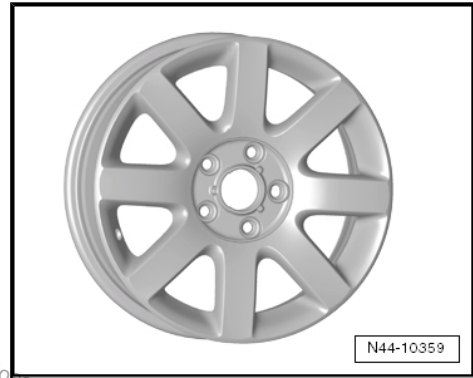
Size:	6 <sup>1</sup> / <sub>2</sub> J x 16
Wheel offset in mm:	50
Wheel load in kg:	615





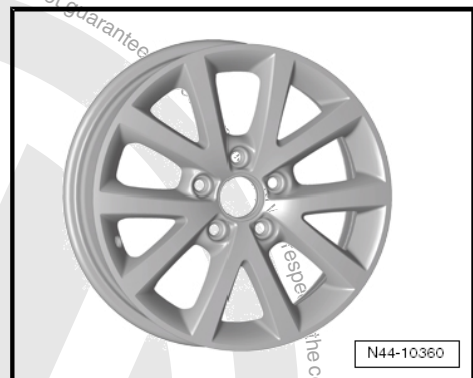
**1K0 601 025 BR - Wheel and tyre combination ⇒ page 126**

Size:	6 <sup>1</sup> / <sub>2</sub> J x 16
Wheel offset in mm:	50
Wheel load in kg:	615



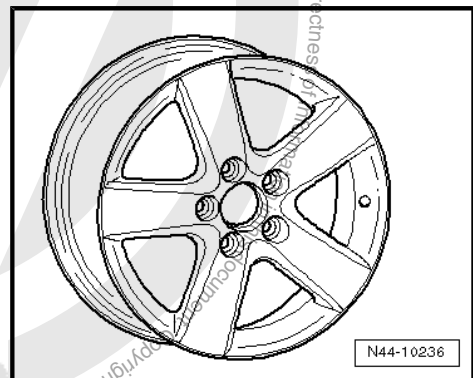
**1K0 601 025 BS - Wheel and tyre combination ⇒ page 126**

Size:	6 <sup>1</sup> / <sub>2</sub> J x 16
Wheel offset in mm:	50
Wheel load in kg:	615



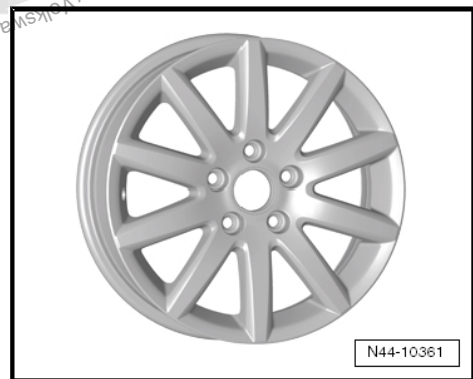
**1K0 601 025 CB - Wheel and tyre combination ⇒ page 126**

Size:	6 <sup>1</sup> / <sub>2</sub> J x 16
Wheel offset in mm:	50
Wheel load in kg:	615



**1K0 601 025 CG - Wheel and tyre combination ⇒ page 126**

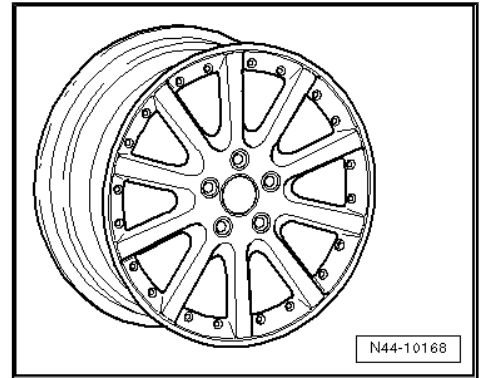
Size:	6 <sup>1</sup> / <sub>2</sub> J x 16
Wheel offset in mm:	50
Wheel load in kg:	615





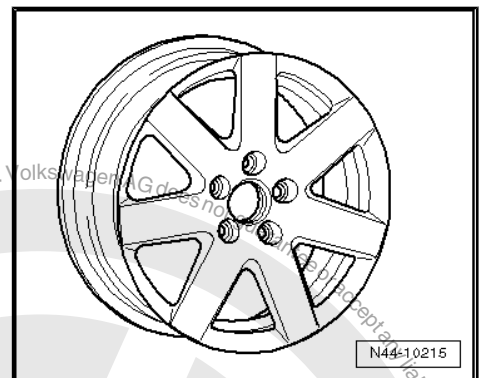
**1K0 601 025 F - Wheel and tyre combination ⇒ page 126**

Size:	6 <sup>1</sup> / <sub>2</sub> J x 16
Wheel offset in mm:	50
Wheel load in kg:	615



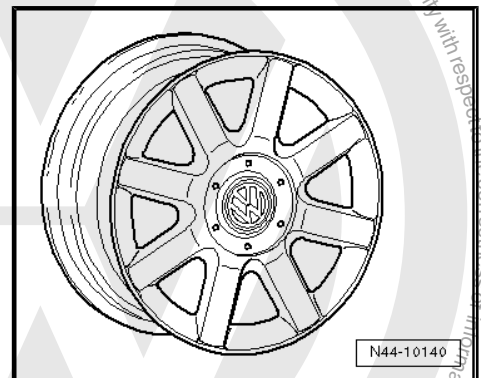
**1K0 601 025 P - Wheel and tyre combination ⇒ page 126**

Size:	6 <sup>1</sup> / <sub>2</sub> J x 16
Wheel offset in mm:	50
Wheel load in kg:	615



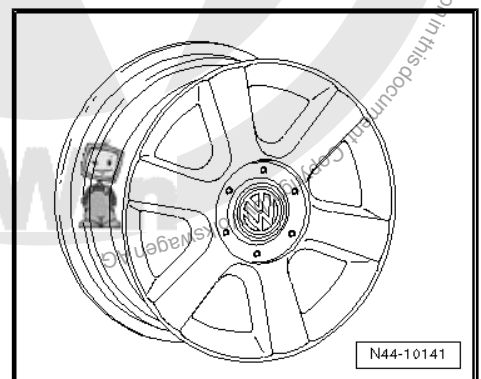
**1K0 601 025 R - Wheel and tyre combination ⇒ page 126**

Size:	6 <sup>1</sup> / <sub>2</sub> J x 16
Wheel offset in mm:	50
Wheel load in kg:	615



**1T0 601 025 C - Wheel and tyre combination ⇒ page 126**

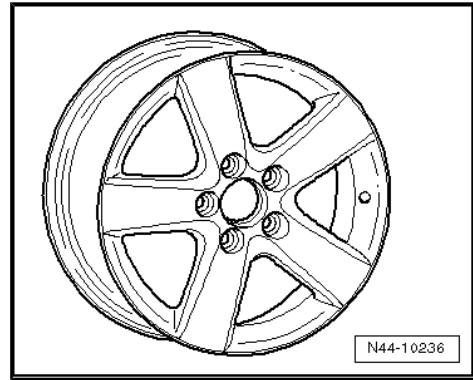
Size:	6 <sup>1</sup> / <sub>2</sub> J x 16
Wheel offset in mm:	50
Wheel load in kg:	615





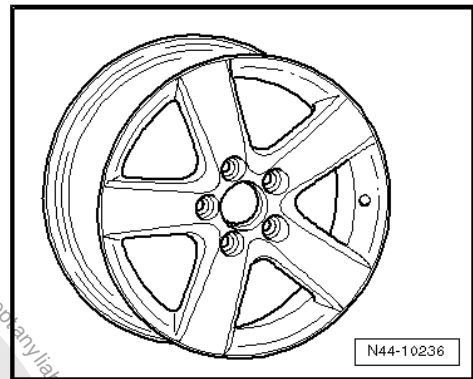
**1T0 601 025 G, 1T0 601 025 K - Wheel and tyre combination**  
⇒ [page 126](#)

Size:	6 <sup>1</sup> / <sub>2</sub> J x 16
Wheel offset in mm:	50
Wheel load in kg:	615



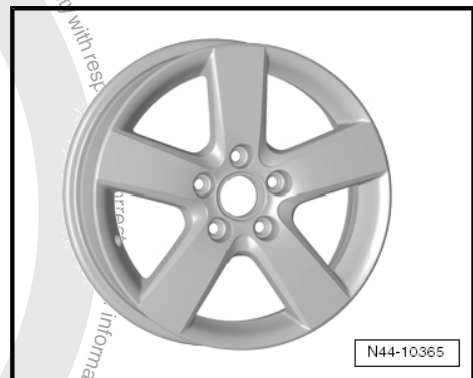
**1T0 601 025 M - Wheel and tyre combination** ⇒ [page 126](#)

Size:	6 <sup>1</sup> / <sub>2</sub> J x 16
Wheel offset in mm:	50
Wheel load in kg:	615



**1T0 601 025 R - Wheel and tyre combination** ⇒ [page 126](#)

Size:	6 <sup>1</sup> / <sub>2</sub> J x 16
Wheel offset in mm:	50
Wheel load in kg:	615



**21.2.3 6 J x 17**



**Caution**

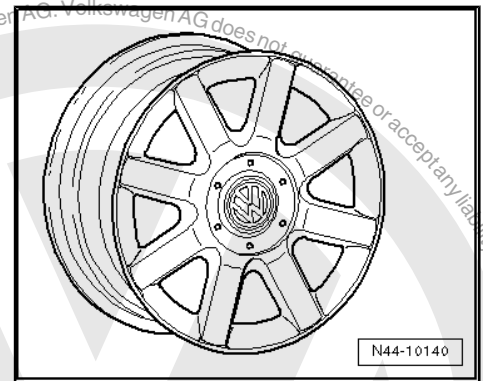
**Observe the allocation of wheels and tyres to the respective engines, which are listed in the overview table ⇒ [page 126](#).**



**Winter wheel**

**1K0 601 025 N - Wheel and tyre combination ⇒ page 126**

Size:	6 J x 17
Wheel offset in mm:	48.5
Wheel load in kg:	615



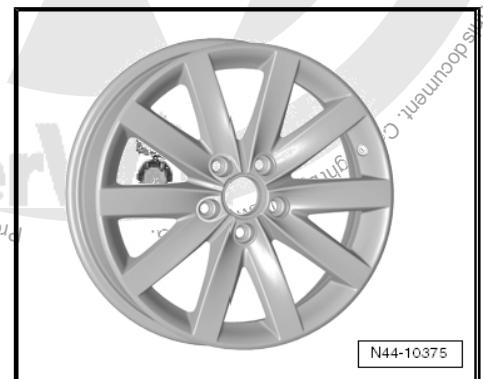
**21.2.4 7 J x 17**

**⚠ Caution**

*Observe the allocation of wheels and tyres to the respective engines, which are listed in the overview table ⇒ page 126 .*

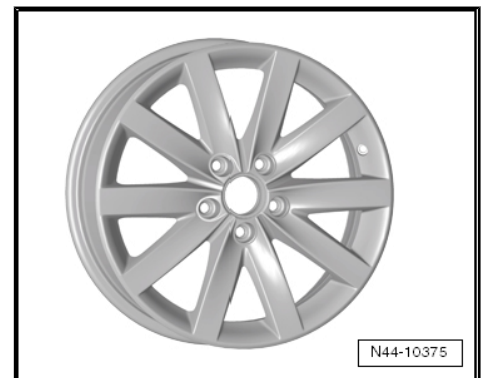
**5K0 601 025 D - Wheel and tyre combination ⇒ page 126**

Size:	7 J x 17
Wheel offset in mm:	54
Wheel load in kg:	615



**5K0 601 025 F - Wheel and tyre combination ⇒ page 126**

Size:	7 J x 17
Wheel offset in mm:	54
Wheel load in kg:	615





**5K0 601 025 K - Wheel and tyre combination ⇒ page 126**

Size:	7 J x 17
Wheel offset in mm:	54
Wheel load in kg:	615



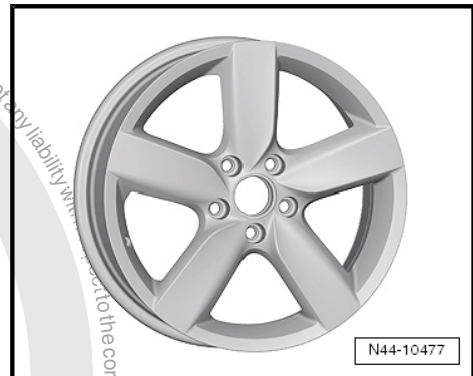
**5K0 601 025 Q, 5K0 601 025 R - Wheel and tyre combination ⇒ page 126**

Size:	7 J x 17
Wheel offset in mm:	54
Wheel load in kg:	615



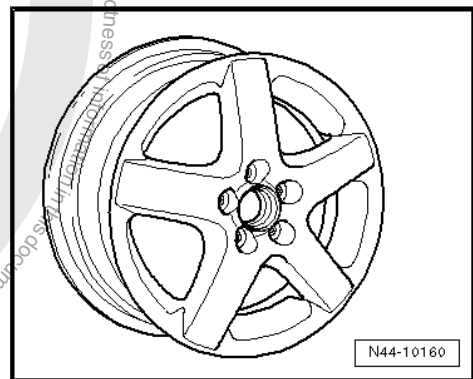
**5K0 601 025 AA - Wheel and tyre combination ⇒ page 126**

Size:	7 J x 17
Wheel offset in mm:	54
Wheel load in kg:	615



**1K0 601 025 B - Wheel and tyre combination ⇒ page 126**

Size:	7 J x 17
Wheel offset in mm:	54
Wheel load in kg:	615

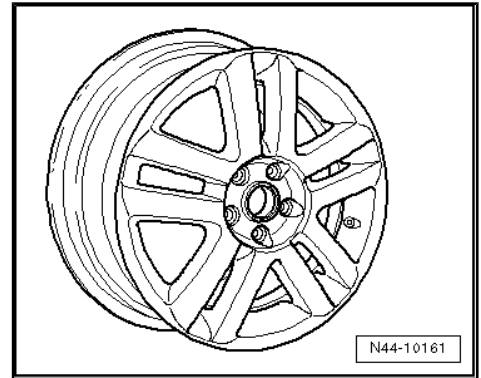






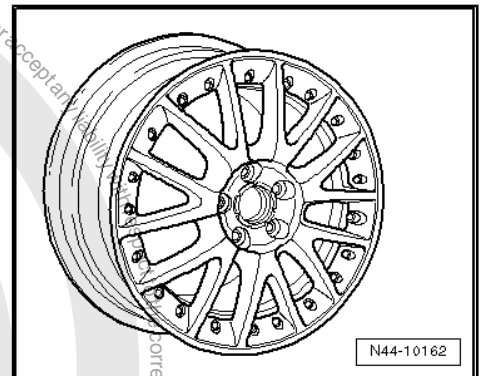
**1K0 601,025 C - Wheel and tyre combination ⇒ [page 126](#)**

Size:	7 J x 17
Wheel offset in mm:	54
Wheel load in kg:	615



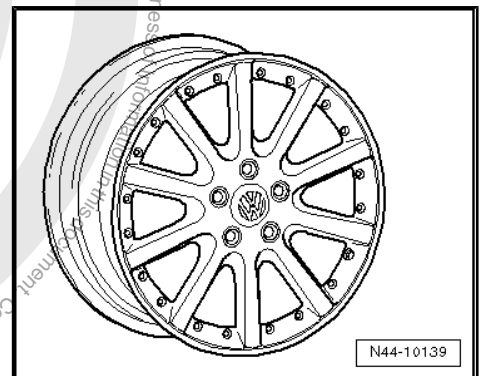
**1K0 601 025 J - Wheel and tyre combination ⇒ [page 126](#)**

Size:	7 J x 17
Wheel offset in mm:	54
Wheel load in kg:	615



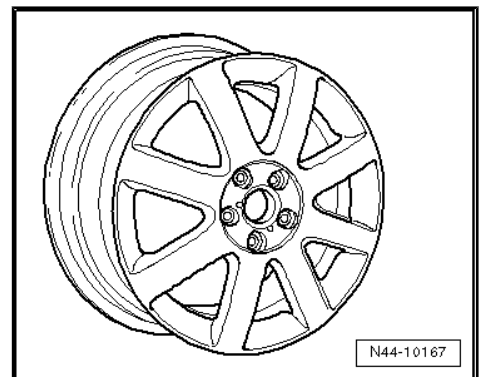
**1K0 601 025 K - Wheel and tyre combination ⇒ [page 126](#)**

Size:	7 J x 17
Wheel offset in mm:	54
Wheel load in kg:	615



**1K0 601 025 M - Wheel and tyre combination ⇒ [page 126](#)**

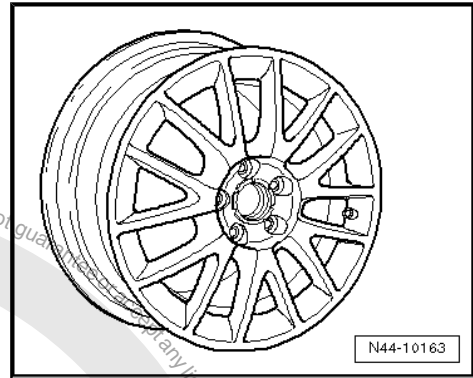
Size:	7 J x 17
Wheel offset in mm:	54
Wheel load in kg:	615





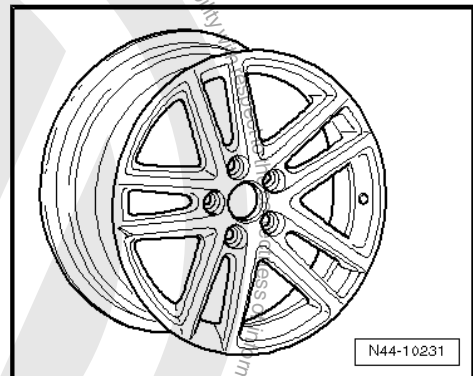
**1K0 601 025 T - Wheel and tyre combination ⇒ page 126**

Size:	7 J x 17
Wheel offset in mm:	54
Wheel load in kg:	615



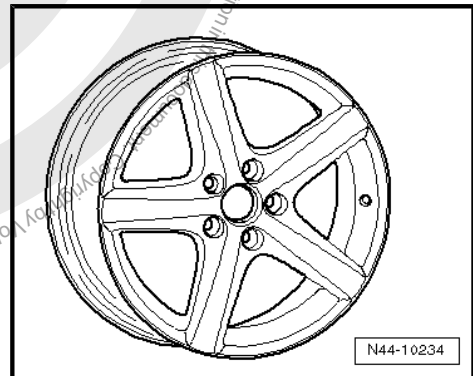
**1K0 601 025 AF - Wheel and tyre combination ⇒ page 126**

Size:	7 J x 17
Wheel offset in mm:	54
Wheel load in kg:	630



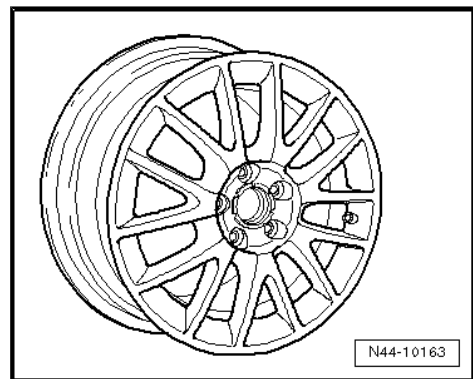
**1K0 601 025 AE - Wheel and tyre combination ⇒ page 126**

Size:	7 J x 17
Wheel offset in mm:	54
Wheel load in kg:	630



**1K0 601 025 AN - Wheel and tyre combination ⇒ page 126**

Size:	7 J x 17
Wheel offset in mm:	54
Wheel load in kg:	615



**21.2.5 7 1/2 J x 17**



**Caution**

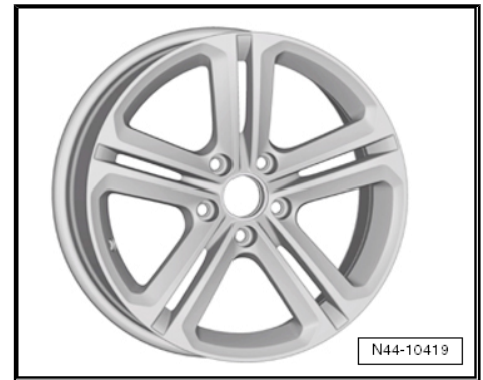
*Observe the allocation of wheels and tyres to the respective engines, which are listed in the overview table ⇒ page 126 .*



**5K0 601 025 N - Wheel and tyre combination ⇒ [page 126](#)**

Only vehicles with sports running gear

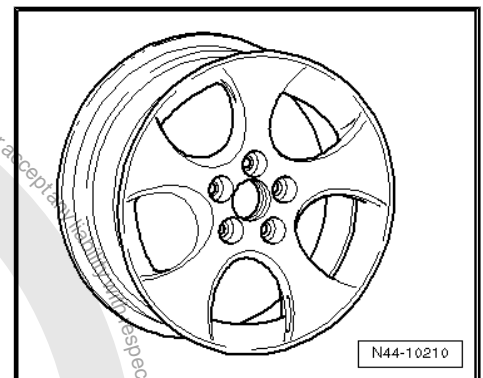
Size:	7 <sup>1</sup> / <sub>2</sub> J x 17
Wheel offset in mm:	51
Wheel load in kg:	630



**1K0 601 025 AC - Wheel and tyre combination ⇒ [page 126](#)**

Only vehicles with sports running gear

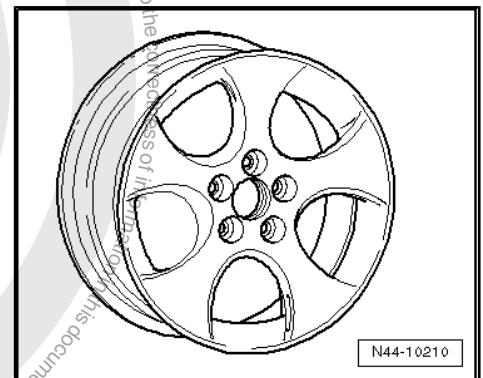
Size:	7 <sup>1</sup> / <sub>2</sub> J x 17
Wheel offset in mm:	51
Wheel load in kg:	615



**1K0 601 025 BB - Wheel and tyre combination ⇒ [page 126](#)**

Only vehicles with sports running gear

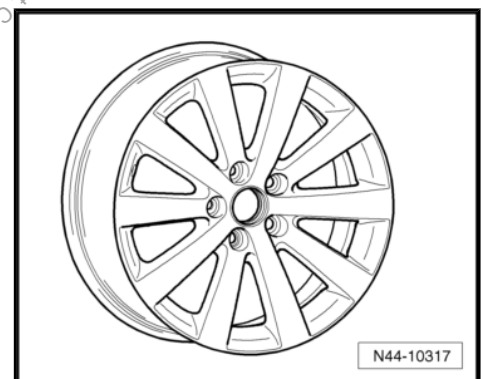
Size:	7 <sup>1</sup> / <sub>2</sub> J x 17
Wheel offset in mm:	51
Wheel load in kg:	615



**1K0 601 025 BK - Wheel and tyre combination ⇒ [page 126](#)**

Only vehicles with sports running gear

Size:	7 <sup>1</sup> / <sub>2</sub> J x 17
Wheel offset in mm:	51
Wheel load in kg:	615





**5K0 601 025 G - Wheel and tyre combination ⇒ page 126**

Only vehicles with sports running gear

Size:	7 <sup>1</sup> / <sub>2</sub> J x 17
Wheel offset in mm:	51
Wheel load in kg:	630



**21.2.6 7<sup>1</sup>/<sub>2</sub> J x 18**



**Caution**

*Observe the allocation of wheels and tyres to the respective engines, which are listed in the overview table ⇒ page 126 .*

**5K0 601 025 H - Wheel and tyre combination ⇒ page 126**

Only for vehicles with sports running gear and rear axle camber of -1°45'

Size:	7 <sup>1</sup> / <sub>2</sub> J x 18
Wheel offset in mm:	51
Wheel load in kg:	630



**5K0 601 025 L - Wheel and tyre combination ⇒ page 126**

Only for vehicles with sports running gear and rear axle camber of -1°45'

Size:	7 <sup>1</sup> / <sub>2</sub> J x 18
Wheel offset in mm:	51
Wheel load in kg:	615



**5K0 601 025 P - Wheel and tyre combination ⇒ page 126**

Only for vehicles with sports running gear and rear axle camber of -1°45'

Size:	7 <sup>1</sup> / <sub>2</sub> J x 18
Wheel offset in mm:	51
Wheel load in kg:	630





**5K0 601 025 AC - Wheel and tyre combination ⇒ page 126**

Only for vehicles with sports running gear and rear axle camber of -1°45'

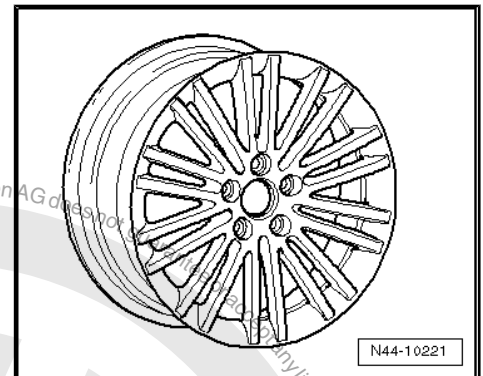
Size:	7 <sup>1</sup> / <sub>2</sub> J x 18
Wheel offset in mm:	51
Wheel load in kg:	630



**1K0 601 025 AD - Wheel and tyre combination ⇒ page 126**

Only for vehicles with sports running gear and rear axle camber of -1°45'

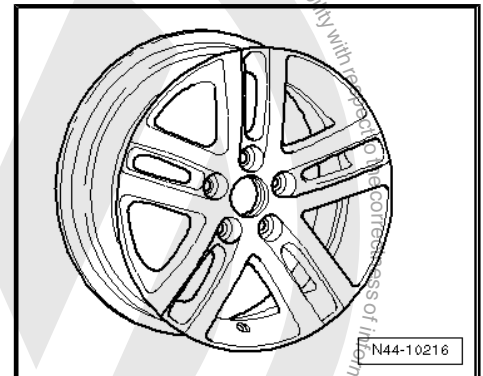
Size:	7 <sup>1</sup> / <sub>2</sub> J x 18
Wheel offset in mm:	51
Wheel load in kg:	630



**1K0 601 025 AG - Wheel and tyre combination ⇒ page 126**

Only for vehicles with sports running gear and rear axle camber of -1°45'

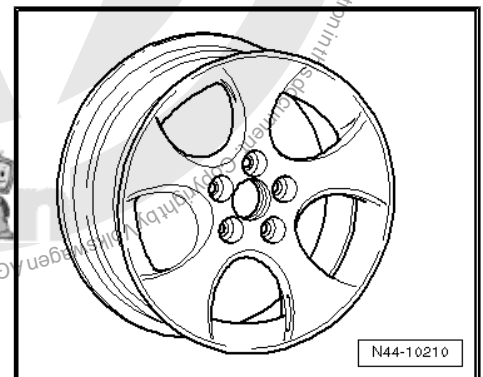
Size:	7 <sup>1</sup> / <sub>2</sub> J x 18
Wheel offset in mm:	51
Wheel load in kg:	630



**1K0 601 025 AH - Wheel and tyre combination ⇒ page 126**

Only for vehicles with sports running gear and rear axle camber of -1°45'

Size:	7 <sup>1</sup> / <sub>2</sub> J x 18
Wheel offset in mm:	51
Wheel load in kg:	615

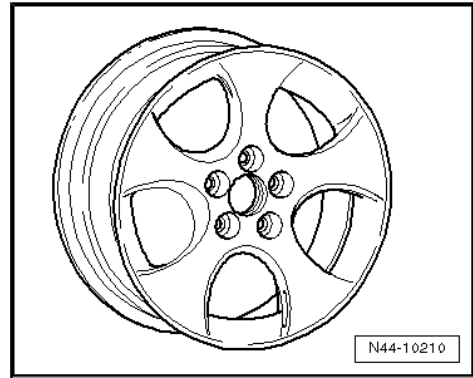




**1K0 601 025 AM - Wheel and tyre combination ⇒ page 126**

Only for vehicles with sports running gear and rear axle camber of  $-1^{\circ}45'$

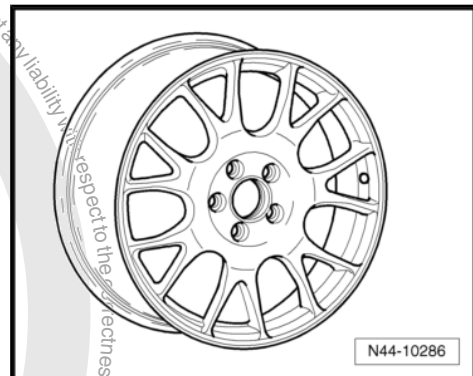
Size:	7 <sup>1</sup> / <sub>2</sub> J x 18
Wheel offset in mm:	51
Wheel load in kg:	615



**1K0 601 025 AT, 1K0 601 025 CC - Wheel and tyre combination ⇒ page 126**

Only for vehicles with sports running gear and rear axle camber of  $-1^{\circ}45'$

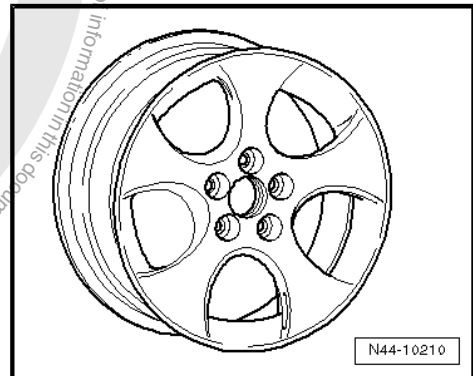
Size:	7 <sup>1</sup> / <sub>2</sub> J x 18
Wheel offset in mm:	51
Wheel load in kg:	615



**1K0 601 025 BA - Wheel and tyre combination ⇒ page 126**

Only for vehicles with sports running gear and rear axle camber of  $-1^{\circ}45'$

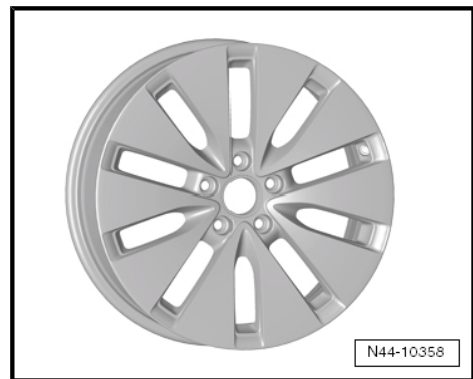
Size:	7 <sup>1</sup> / <sub>2</sub> J x 18
Wheel offset in mm:	51
Wheel load in kg:	615



**1K0 601 025 BE - Wheel and tyre combination ⇒ page 126**

Only for vehicles with sports running gear and rear axle camber of  $-1^{\circ}45'$

Size:	7 <sup>1</sup> / <sub>2</sub> J x 18
Wheel offset in mm:	51
Wheel load in kg:	615

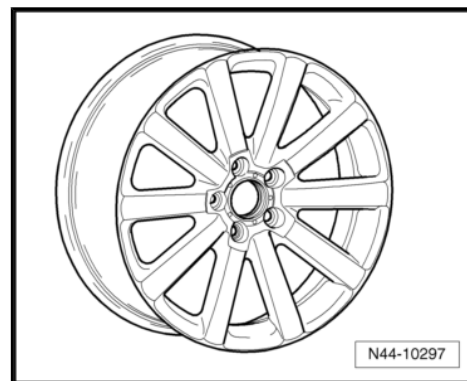




**1K0 601 025 BL - Wheel and tyre combination ⇒ [page 126](#)**

Only for vehicles with sports running gear and rear axle camber of -1°45'

Size:	7 <sup>1</sup> / <sub>2</sub> J x 18
Wheel offset in mm:	51
Wheel load in kg:	615





## 22 Golf GTI from model year 2010

### General

Volkswagen vehicles are built according to the latest findings in safety engineering. To keep it that way, we recommend the use of only genuine Volkswagen spare parts. You can recognise this by the VW Audi logo and by the part number. It has been established that these parts are reliable, safe and suitable.

Despite constant appraisal of the market, we cannot assess other products on these points, even when in isolated cases they have been passed by official inspectors or have been granted official approval. Therefore, we cannot, of course, assume any liability if these products are installed.



#### WARNING

*The products from Volkswagen genuine parts and Votex genuine accessories may differ in fitting requirements, torque specifications and so on.*

*Always follow the respective fitting and operating instructions.*

The wheel and tyre combinations or changes listed in the vehicle tables refer exclusively to Volkswagen Genuine wheels. Approval of wheel and tyre combinations or a change to wheels from the accessories trade is not possible with the certificate statement attached here.



#### WARNING

*The fitting instructions and torque specifications for wheels from Votex genuine accessories may differ from those intended for wheels from Volkswagen genuine parts.*

*Therefore, always observe the torque settings for the wheel bolts as well as the respective fitting and operating instructions.*

### 22.1 Golf GTI, sales type 5K, model year 2010 to model year 2011



#### Caution

*The Golf GTI will be listed according to the sales types and not by the type approval model codes.*

*The type approval model code and the associated type approval number are listed as follows.*

#### Golf GTI, type approval code 1K

Appendix to certificate statement 8106803334

The certificate statement can be found on the Volkswagen ServiceNet under Accessories/Tyres, Wheels and Tyres, Wheels and Tyres Guide.





Type Approval No.: e1\*2001/116\*0242\*29 to  
e1\*2001/116\*0242\*34

### Overview

Model engine output	Tyres	Tyre size	Wheel rim	Off-set in mm	Snow chains	Remarks
2.0l 155 kW; petrol engine	Standard tyres	225/45 R 17 91W	7 <sup>1</sup> / <sub>2</sub> J x 17 ⇒ <a href="#">page 153</a>	51	No	General information on: ◆ Winter tyres ⇒ <a href="#">page 14</a> ◆ Snow chains ⇒ <a href="#">page 17</a>
	Modifica- tion	205/55 R 16 91W	6 <sup>1</sup> / <sub>2</sub> J x 16 ⇒ <a href="#">page 144</a>	50	No	
		205/50 R 17 93W	6 J x 17 ⇒ <a href="#">page 149</a>	48.5	Yes* ⇒ <a href="#">page 143</a>	
		225/45 R 17 91W	7 J x 17 ⇒ <a href="#">page 149</a>	54	No	
		225/40 R 18 92Y	7 <sup>1</sup> / <sub>2</sub> J x 18 ⇒ <a href="#">page 154</a>	51	No	
	Winter tyres	205/55 R 16 91Q/T/ H	6 J x 16 ⇒ <a href="#">page 144</a>	50	Yes	* Only snow chains with fine links of no more than 8 mm may be used ⇒ Electronic Parts Catalogue „ETKA - Accessories Cata- logue“ .
		205/50 R 17 93Q/T/ H	6 J x 17 ⇒ <a href="#">page 149</a>	48.5	Yes* ⇒ <a href="#">page 143</a>	

Tyre inflation pressures are located on a sticker in fuel tank flap or in ⇒ Maintenance ; Booklet ; Check tyres: condition, profile, inflation pressure, depth of tread .

## 22.2 Wheel allocation for Golf GTI, type 5K model year 2010 to model year 2011

Golf GTI, type approval code 1K

Explanation of information on wheels ⇒ [page 58](#)

Torque settings for wheel bolts ⇒ Running gear, axles, steering;  
Rep. gr. 44 ; Torque settings for fitting wheels

Pitch circle diameter: 112 mm

Number of wheel bolt holes: 5



## 22.2.1 6 J x 16



### Caution

*Observe the allocation of wheels and tyres to the respective engines, which are listed in the overview table ⇒ page 143.*

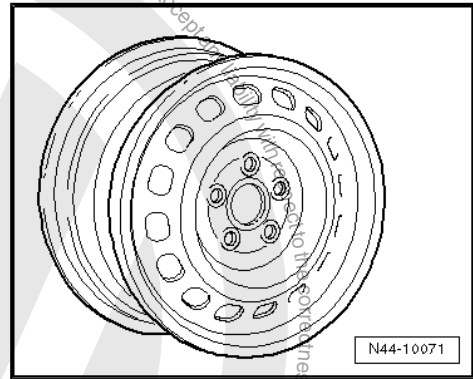
### Winter wheels

#### 8P0 601 027 - Wheel and tyre combination ⇒ page 143

Size:	6 J x 16
Wheel offset in mm:	50
Wheel load in kg:	600

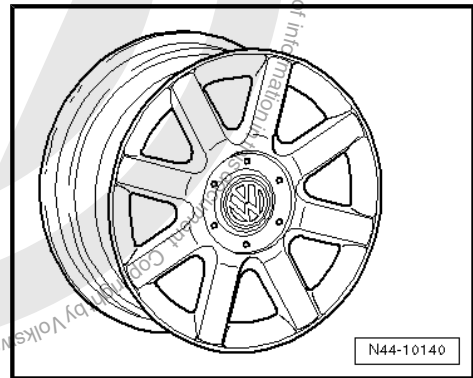
Use the following wheel bolt caps for wheel bolts:

- ◆ 1K0.601.173 (4 per wheel)
- ◆ 1K0.601.173.A (1 per wheel)



#### 1K0 601 025 Q - Wheel and tyre combination ⇒ page 143

Size:	6 J x 16 EH2 ⇒ page 58
Wheel offset in mm:	50
Wheel load in kg:	615



## 22.2.2 6<sup>1</sup>/<sub>2</sub> J x 16

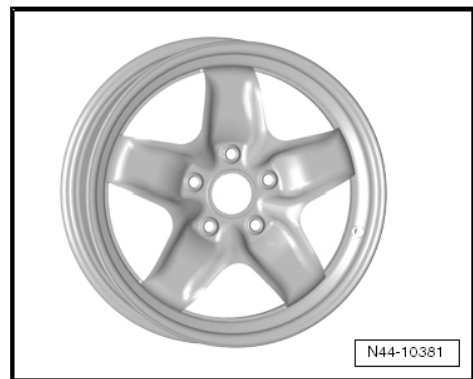


### Caution

*Observe the allocation of wheels and tyres to the respective engines, which are listed in the overview table ⇒ page 143.*

#### 5K0 601 027 - Wheel and tyre combination ⇒ page 143

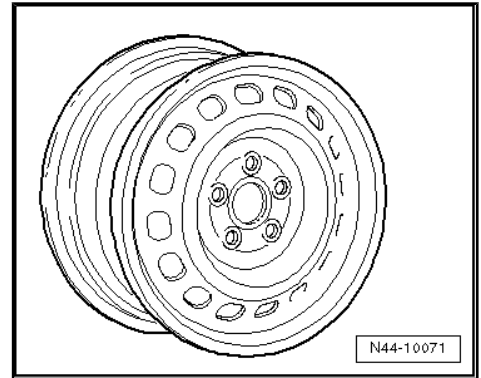
Size:	6 <sup>1</sup> / <sub>2</sub> J x 16
Wheel offset in mm:	50
Wheel load in kg:	615





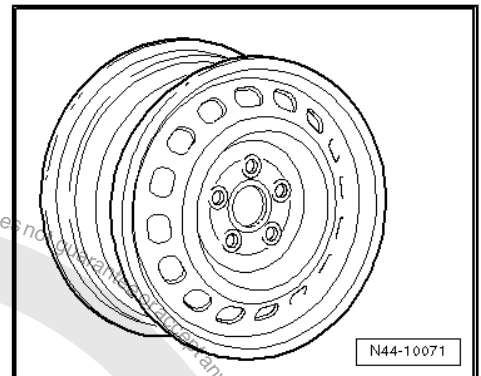
**1K0 601 027 A - Wheel and tyre combination ⇒ page 143**

Size:	6 <sup>1</sup> / <sub>2</sub> J x 16
Wheel offset in mm:	50
Wheel load in kg:	615



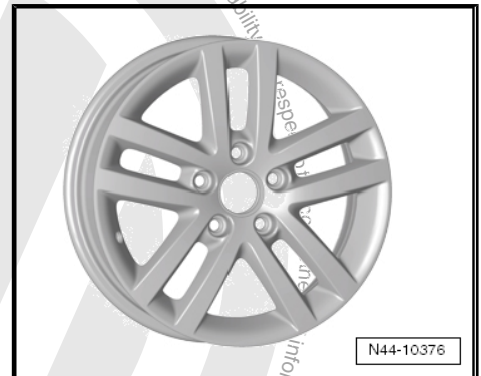
**1K0 601 027 J - Wheel and tyre combination ⇒ page 143**

Size:	6 <sup>1</sup> / <sub>2</sub> J x 16
Wheel offset in mm:	50
Wheel load in kg:	615



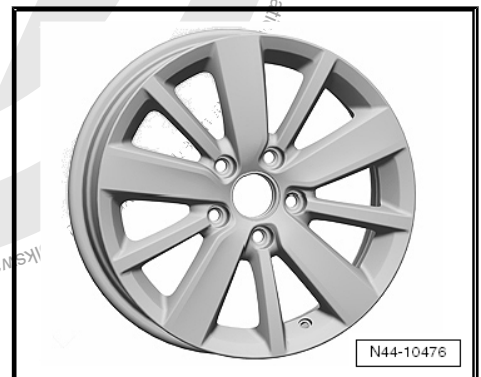
**5K0 601 025 E - Wheel and tyre combination ⇒ page 143**

Size:	6 <sup>1</sup> / <sub>2</sub> J x 16
Wheel offset in mm:	50
Wheel load in kg:	615



**5K0 601 025 S - Wheel and tyre combination ⇒ page 143**

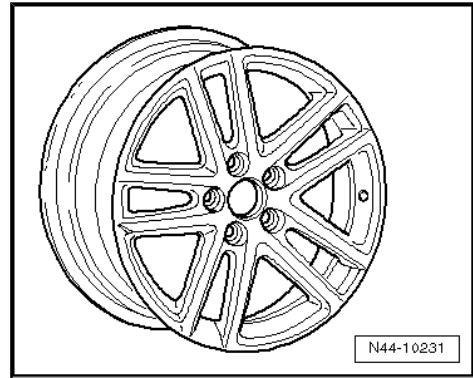
Size:	6 <sup>1</sup> / <sub>2</sub> J x 16
Wheel offset in mm:	50
Wheel load in kg:	615





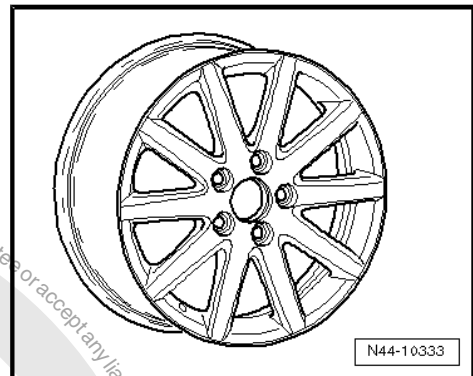
**1K0 601 025 AJ - Wheel and tyre combination ⇒ page 143**

Size:	6 <sup>1</sup> / <sub>2</sub> J x 16
Wheel offset in mm:	50
Wheel load in kg:	615



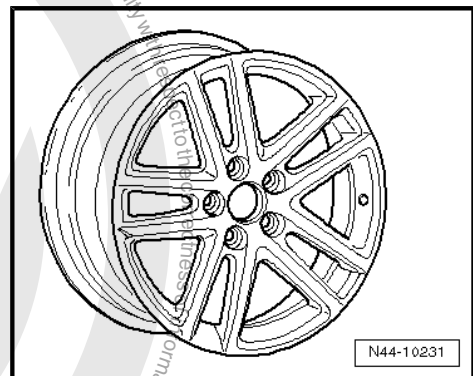
**1K0 601 025 BC - Wheel and tyre combination ⇒ page 143**

Size:	6 <sup>1</sup> / <sub>2</sub> J x 16
Wheel offset in mm:	50
Wheel load in kg:	615



**1K0 601 025 BM - Wheel and tyre combination ⇒ page 143**

Size:	6 <sup>1</sup> / <sub>2</sub> J x 16
Wheel offset in mm:	50
Wheel load in kg:	615



**1K0 601 025 BR - Wheel and tyre combination ⇒ page 143**

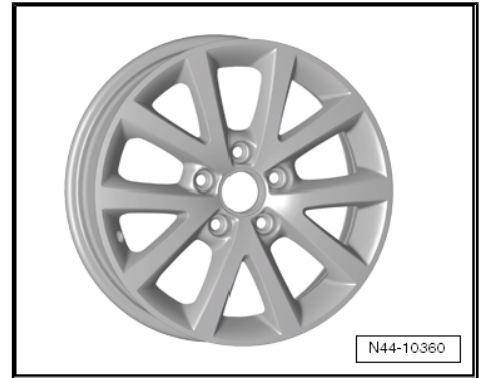
Size:	6 <sup>1</sup> / <sub>2</sub> J x 16
Wheel offset in mm:	50
Wheel load in kg:	615





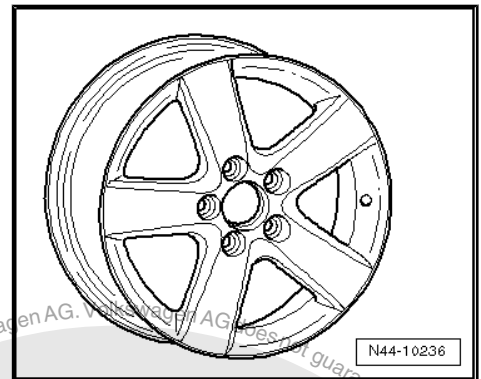
**1K0 601 025 BS - Wheel and tyre combination ⇒ page 143**

Size:	6 <sup>1</sup> / <sub>2</sub> J x 16
Wheel offset in mm:	50
Wheel load in kg:	615



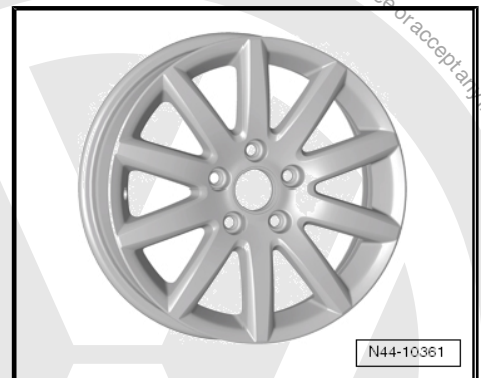
**1K0 601 025 CB - Wheel and tyre combination ⇒ page 143**

Size:	6 <sup>1</sup> / <sub>2</sub> J x 16
Wheel offset in mm:	50
Wheel load in kg:	615



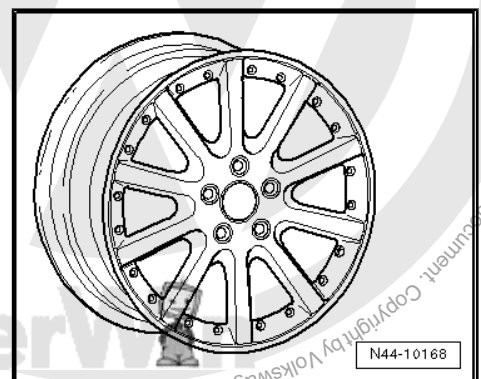
**1K0 601 025 CG - Wheel and tyre combination ⇒ page 143**

Size:	6 <sup>1</sup> / <sub>2</sub> J x 16
Wheel offset in mm:	50
Wheel load in kg:	615



**1K0 601 025 F - Wheel and tyre combination ⇒ page 143**

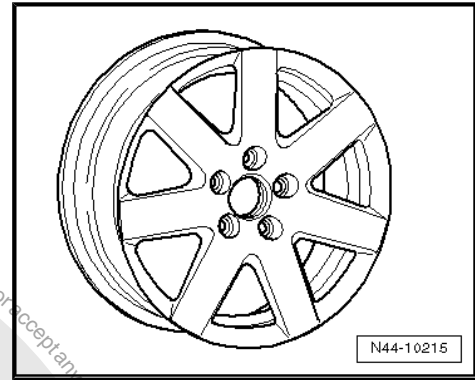
Size:	6 <sup>1</sup> / <sub>2</sub> J x 16
Wheel offset in mm:	50
Wheel load in kg:	615





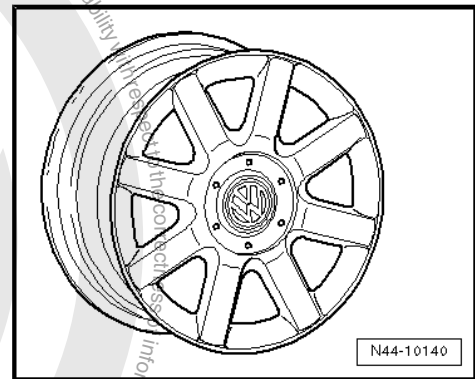
**1K0 601 025 P - Wheel and tyre combination ⇒ page 143**

Size:	6 <sup>1</sup> / <sub>2</sub> J x 16
Wheel offset in mm:	50
Wheel load in kg:	615



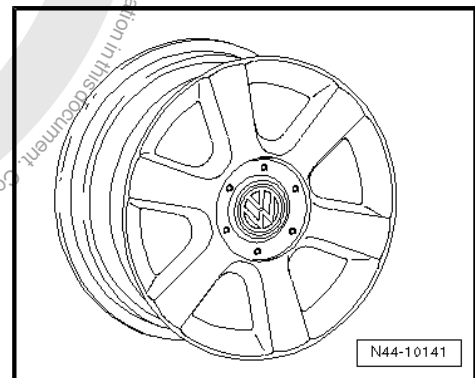
**1K0 601 025 R - Wheel and tyre combination ⇒ page 143**

Size:	6 <sup>1</sup> / <sub>2</sub> J x 16
Wheel offset in mm:	50
Wheel load in kg:	615



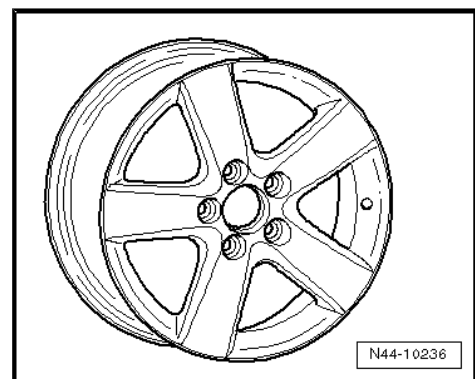
**1T0 601 025 C - Wheel and tyre combination ⇒ page 143**

Size:	6 <sup>1</sup> / <sub>2</sub> J x 16
Wheel offset in mm:	50
Wheel load in kg:	615



**1T0 601 025 G, 1T0 601 025 K - Wheel and tyre combination  
⇒ page 143**

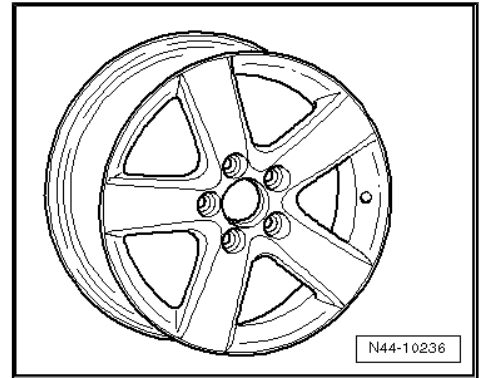
Size:	6 <sup>1</sup> / <sub>2</sub> J x 16
Wheel offset in mm:	50
Wheel load in kg:	615





**1T0 601 025 M - Wheel and tyre combination ⇒ page 143**

Size:	6 <sup>1</sup> / <sub>2</sub> J x 16
Wheel offset in mm:	50
Wheel load in kg:	615



**1T0 601 025 R - Wheel and tyre combination ⇒ page 143**

Size:	6 <sup>1</sup> / <sub>2</sub> J x 16
Wheel offset in mm:	50
Wheel load in kg:	615



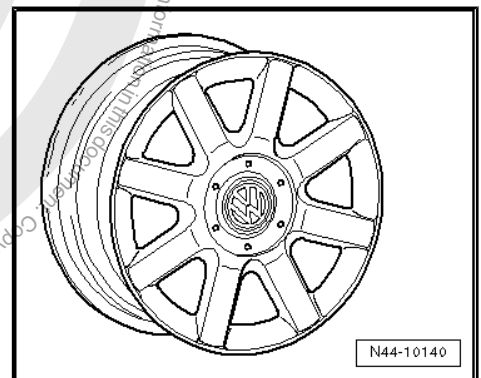
**22.2.3 6 J x 17**

**⚠ Caution**  
*Observe the allocation of wheels and tyres to the respective engines, which are listed in the overview table ⇒ page 143 .*

**Winter wheel**

**1K0 601 025 N - Wheel and tyre combination ⇒ page 143**

Size:	6 J x 17
Wheel offset in mm:	48.5
Wheel load in kg:	615



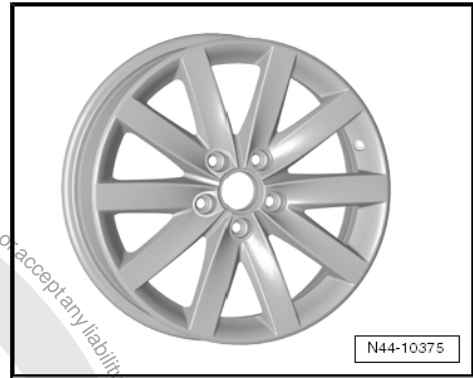
**22.2.4 7 J x 17**

**⚠ Caution**  
*Observe the allocation of wheels and tyres to the respective engines, which are listed in the overview table ⇒ page 143 .*



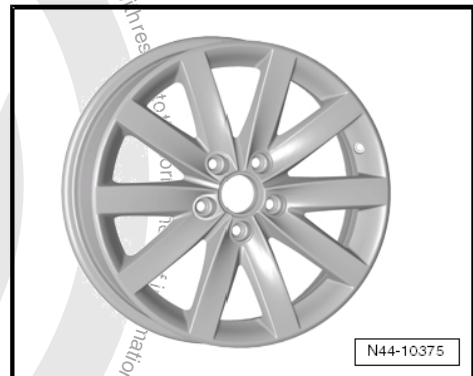
**5K0 601 025 D - Wheel and tyre combination ⇒ page 143**

Size:	7 J x 17
Wheel offset in mm:	54
Wheel load in kg:	615



**5K0 601 025 F - Wheel and tyre combination ⇒ page 143**

Size:	7 J x 17
Wheel offset in mm:	54
Wheel load in kg:	615



**5K0 601 025 K - Wheel and tyre combination ⇒ page 143**

Size:	7 J x 17
Wheel offset in mm:	54
Wheel load in kg:	615



**5K0 601 025 Q, 5K0 601 025 R - Wheel and tyre combination ⇒ page 143**

Size:	7 J x 17
Wheel offset in mm:	54
Wheel load in kg:	615

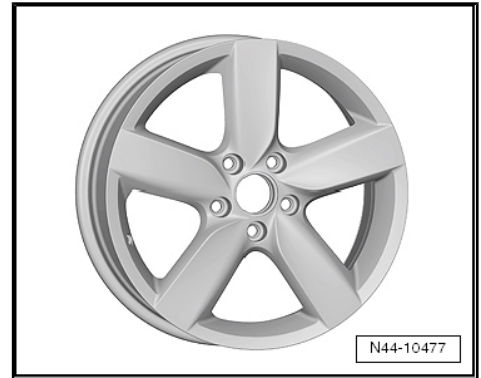






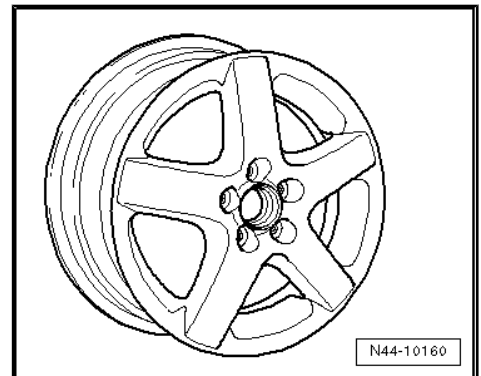
**5K0 601 025 AA - Wheel and tyre combination ⇒ page 143**

Size:	7 J x 17
Wheel offset in mm:	54
Wheel load in kg:	615



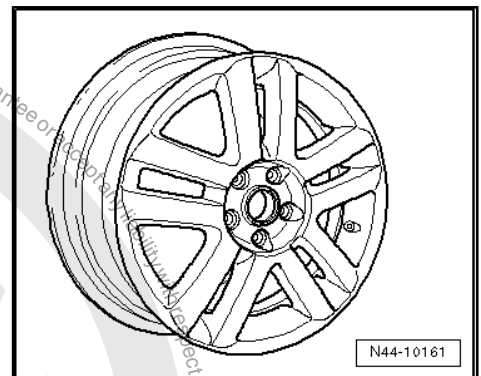
**1K0 601 025 B - Wheel and tyre combination ⇒ page 143**

Size:	7 J x 17
Wheel offset in mm:	54
Wheel load in kg:	615



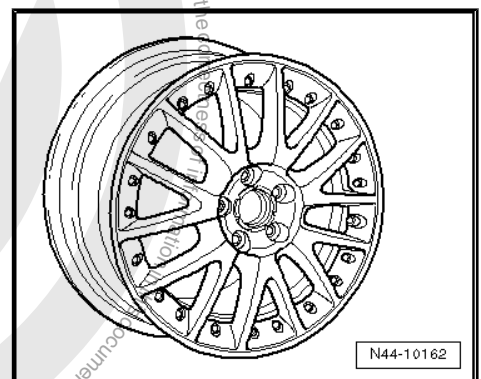
**1K0 601,025 C - Wheel and tyre combination ⇒ page 143**

Size:	7 J x 17
Wheel offset in mm:	54
Wheel load in kg:	615



**1K0 601 025 J - Wheel and tyre combination ⇒ page 143**

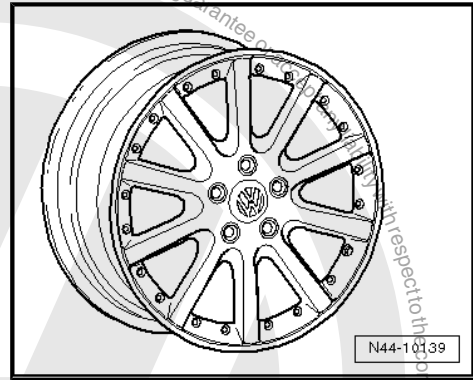
Size:	7 J x 17
Wheel offset in mm:	54
Wheel load in kg:	615





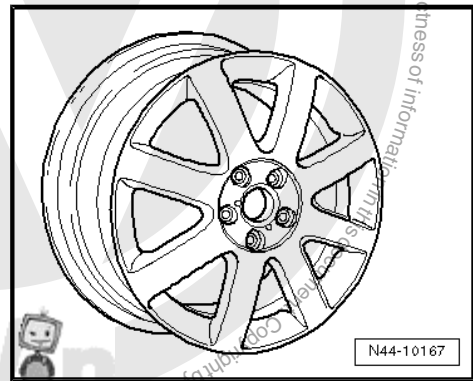
**1K0 601 025 K - Wheel and tyre combination ⇒ page 143**

Size:	7 J x 17
Wheel offset in mm:	54
Wheel load in kg:	615



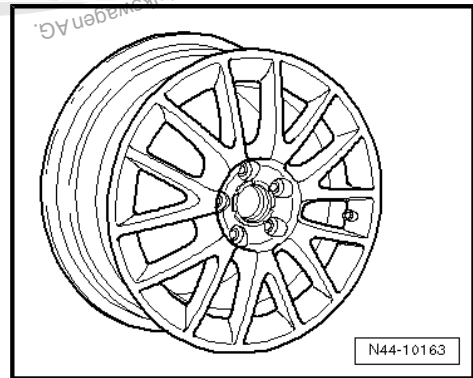
**1K0 601 025 M - Wheel and tyre combination ⇒ page 143**

Size:	7 J x 17
Wheel offset in mm:	54
Wheel load in kg:	615



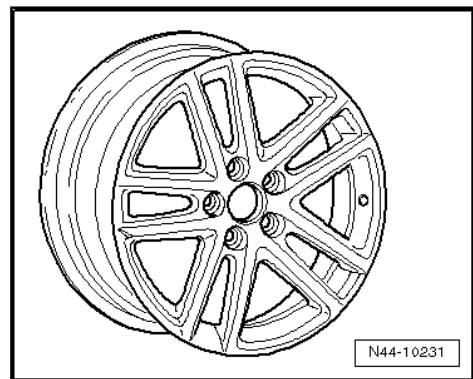
**1K0 601 025 T - Wheel and tyre combination ⇒ page 143**

Size:	7 J x 17
Wheel offset in mm:	54
Wheel load in kg:	615



**1K0 601 025 AF - Wheel and tyre combination ⇒ page 143**

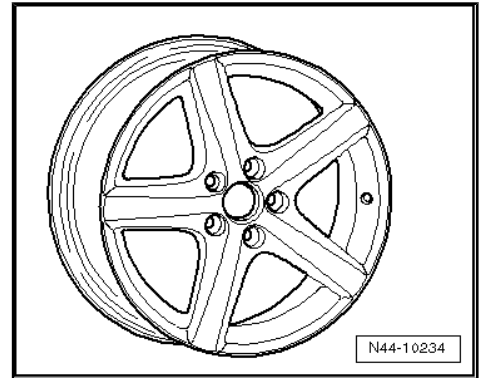
Size:	7 J x 17
Wheel offset in mm:	54
Wheel load in kg:	630





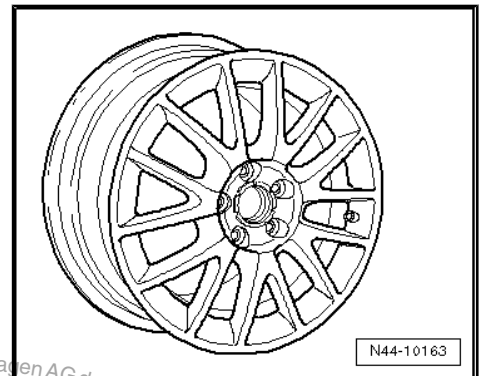
**1K0 601 025 AE - Wheel and tyre combination ⇒ page 143**

Size:	7 J x 17
Wheel offset in mm:	54
Wheel load in kg:	630




**1K0 601 025 AN - Wheel and tyre combination ⇒ page 143**

Size:	7 J x 17
Wheel offset in mm:	54
Wheel load in kg:	615



**22.2.5 7<sup>1</sup>/<sub>2</sub> J x 17**

 **Caution**  
*Observe the allocation of wheels and tyres to the respective engines, which are listed in the overview table ⇒ page 143 .*

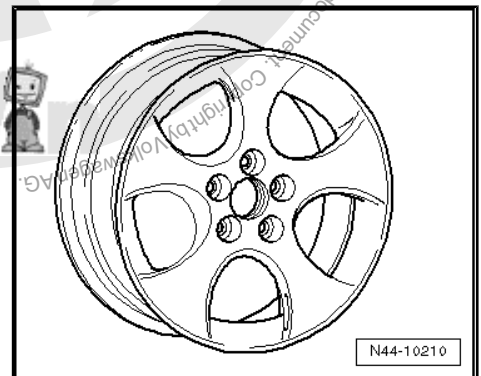
**5K0 601 025 N - Wheel and tyre combination ⇒ page 143**

Size:	7 <sup>1</sup> / <sub>2</sub> J x 17
Wheel offset in mm:	51
Wheel load in kg:	630



**1K0 601 025 AC - Wheel and tyre combination ⇒ page 143**

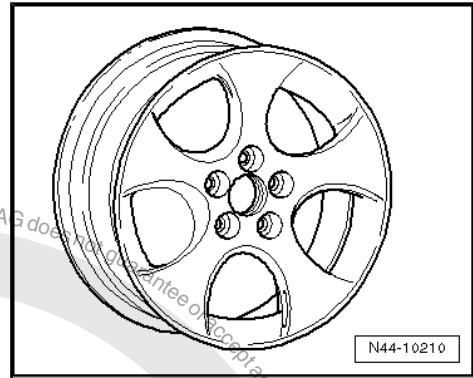
Size:	7 <sup>1</sup> / <sub>2</sub> J x 17
Wheel offset in mm:	51
Wheel load in kg:	615





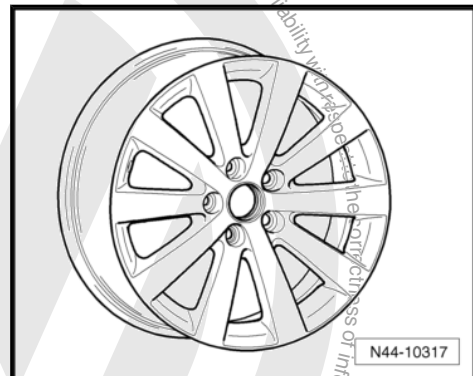
**1K0 601 025 BB - Wheel and tyre combination ⇒ page 143**

Size:	7 <sup>1</sup> / <sub>2</sub> J x 17
Wheel offset in mm:	51
Wheel load in kg:	615



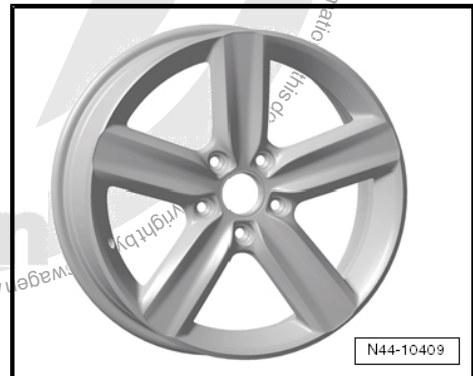
**1K0 601 025 BK - Wheel and tyre combination ⇒ page 143**

Size:	7 <sup>1</sup> / <sub>2</sub> J x 17
Wheel offset in mm:	51
Wheel load in kg:	615



**5K0 601 025 G - Wheel and tyre combination ⇒ page 143**

Size:	7 <sup>1</sup> / <sub>2</sub> J x 17
Wheel offset in mm:	51
Wheel load in kg:	630



**22.2.6 7<sup>1</sup>/<sub>2</sub> J x 18**



**Caution**

*Observe the allocation of wheels and tyres to the respective engines, which are listed in the overview table ⇒ page 143 .*

**5K0 601 025 H - Wheel and tyre combination ⇒ page 143**

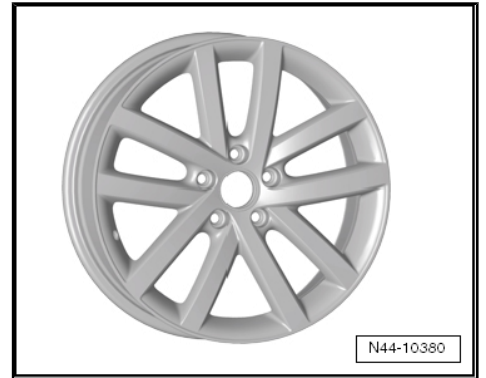
Size:	7 <sup>1</sup> / <sub>2</sub> J x 18
Wheel offset in mm:	51
Wheel load in kg:	630





**5K0 601 025 L - Wheel and tyre combination ⇒ page 143**

Size:	7 <sup>1</sup> / <sub>2</sub> J x 18
Wheel offset in mm:	51
Wheel load in kg:	615



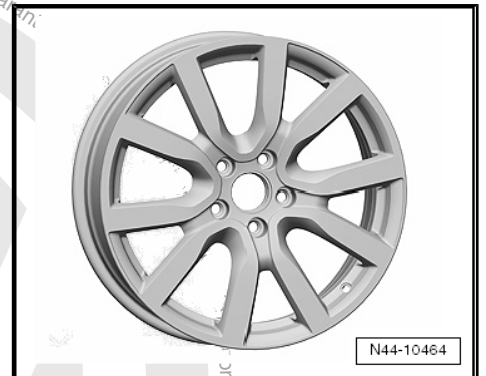
**5K0 601 025 P - Wheel and tyre combination ⇒ page 143**

Size:	7 <sup>1</sup> / <sub>2</sub> J x 18
Wheel offset in mm:	51
Wheel load in kg:	630



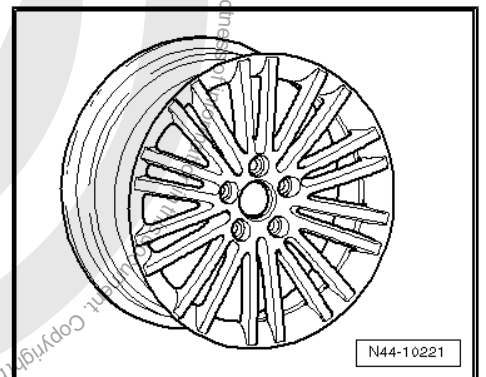
**5K0 601 025 AC - Wheel and tyre combination ⇒ page 143**

Size:	7 <sup>1</sup> / <sub>2</sub> J x 18
Wheel offset in mm:	51
Wheel load in kg:	630



**1K0 601 025 AD - Wheel and tyre combination ⇒ page 143**

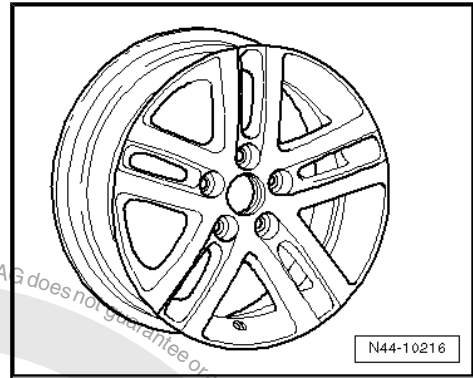
Size:	7 <sup>1</sup> / <sub>2</sub> J x 18
Wheel offset in mm:	51
Wheel load in kg:	630





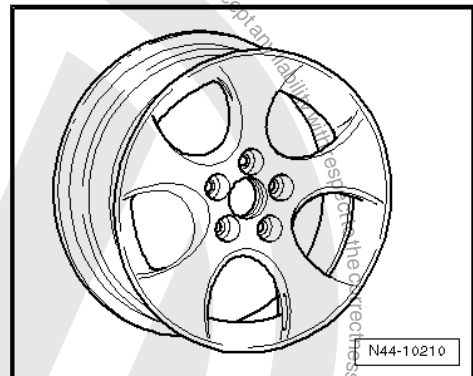
**1K0 601 025 AG - Wheel and tyre combination ⇒ page 143**

Size:	7 <sup>1</sup> / <sub>2</sub> J x 18
Wheel offset in mm:	51
Wheel load in kg:	630



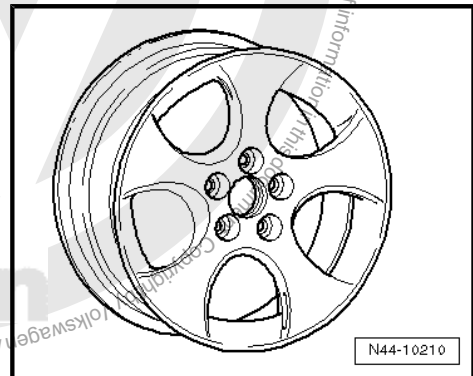
**1K0 601 025 AH - Wheel and tyre combination ⇒ page 143**

Size:	7 <sup>1</sup> / <sub>2</sub> J x 18
Wheel offset in mm:	51
Wheel load in kg:	615



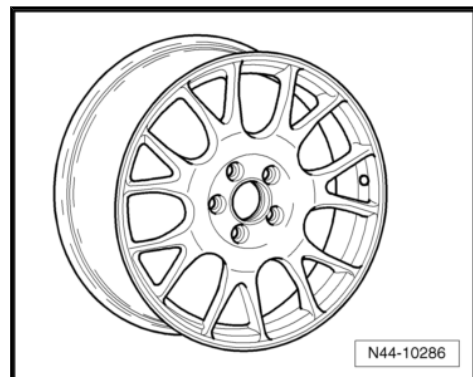
**1K0 601 025 AM - Wheel and tyre combination ⇒ page 143**

Size:	7 <sup>1</sup> / <sub>2</sub> J x 18
Wheel offset in mm:	51
Wheel load in kg:	615



**1K0 601 025 AT, 1K0 601 025 CC - Wheel and tyre combination  
⇒ page 143**

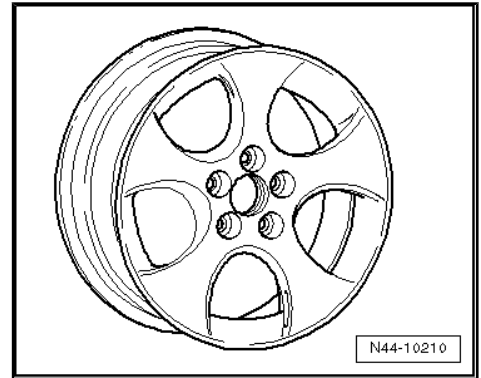
Size:	7 <sup>1</sup> / <sub>2</sub> J x 18
Wheel offset in mm:	51
Wheel load in kg:	615





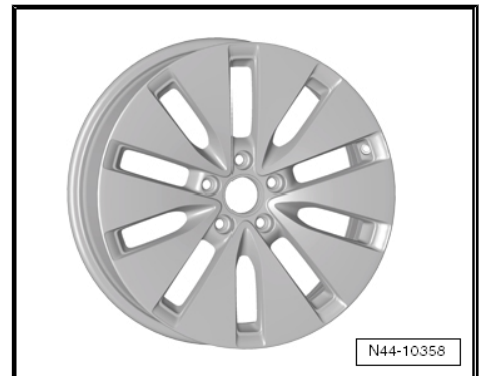
**1K0 601 025 BA - Wheel and tyre combination ⇒ page 143**

Size:	7 <sup>1</sup> / <sub>2</sub> J x 18
Wheel offset in mm:	51
Wheel load in kg:	615



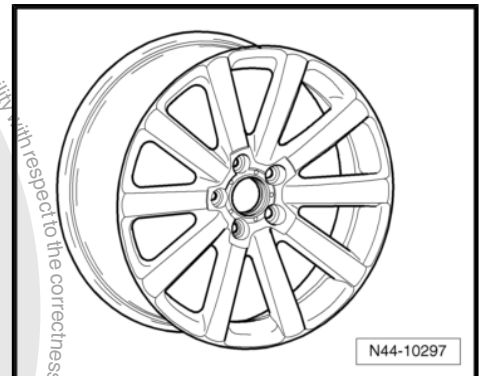
**1K0 601 025 BE - Wheel and tyre combination ⇒ page 143**

Size:	7 <sup>1</sup> / <sub>2</sub> J x 18
Wheel offset in mm:	51
Wheel load in kg:	615



**1K0 601 025 BL - Wheel and tyre combination ⇒ page 143**

Size:	7 <sup>1</sup> / <sub>2</sub> J x 18
Wheel offset in mm:	51
Wheel load in kg:	615



Protected by copyright. Copying for private or commercial purposes, in part or in whole, is prohibited without the express authorisation by Volkswagen AG. Volkswagen AG does not guarantee or accept any liability with respect to the correctness of information in this document. Copyright by Volkswagen AG.



## 23 Golf R from model year 2010

### General

Volkswagen vehicles are built according to the latest findings in safety engineering. To keep it that way, we recommend the use of only genuine Volkswagen spare parts. You can recognise this by the VW Audi logo and by the part number. It has been established that these parts are reliable, safe and suitable.

Despite constant appraisal of the market, we cannot assess other products on these points, even when in isolated cases they have been passed by official inspectors or have been granted official approval. Therefore, we cannot, of course, assume any liability if these products are installed.



#### WARNING

*The products from Volkswagen genuine parts and Votex genuine accessories may differ in fitting requirements, torque specifications and so on.*

*Always follow the respective fitting and operating instructions.*

The wheel and tyre combinations or changes listed in the vehicle tables refer exclusively to Volkswagen Genuine wheels. Approval of wheel and tyre combinations or a change to wheels from the accessories trade is not possible with the certificate statement attached here.



#### WARNING

*The fitting instructions and torque specifications for wheels from Votex genuine accessories may differ from those intended for wheels from Volkswagen genuine parts.*

*Therefore, always observe the torque settings for the wheel bolts as well as the respective fitting and operating instructions.*

### 23.1 Golf R, sales type 5K model year 2010



#### Caution

*The Golf R will be listed according to the sales types and not by the type approval model codes.*

*The type approval model code and the associated type approval number are listed as follows.*

#### Golf R, type approval code 1K

Appendix to certificate statement 8106803334

The certificate statement can be found on the Volkswagen ServiceNet under Accessories/Tyres, Wheels and Tyres, Wheels and Tyres Guide.





Type approval number: e1\*2001/116\*0242\*33

Overview

Model engine output	Tyres	Tyre size	Wheel rim	Off-set in mm	Snow chains	Remarks
2.0l 188 kW; 2.0l 199 kW; petrol engine	Standard tyres	225/40 R 18 92Y	7 <sup>1</sup> / <sub>2</sub> J x 18 ⇒ <a href="#">page 163</a>	51	No	General information on: ◆ Winter tyres ⇒ <a href="#">page 14</a> ◆ Snow chains ⇒ <a href="#">page 17</a>
	Modification	205/50 R 17 93W	7 J x 17 ⇒ <a href="#">page 161</a>	47	No	Tyre makes recommended by Volkswagen: ◆ Summer tyres ⇒ <a href="#">page 501</a> ◆ Winter tyres ⇒ <a href="#">page 532</a>
		225/45 R 17 94W	7 <sup>1</sup> / <sub>2</sub> J x 17 ⇒ <a href="#">page 161</a>	51	No	
		235/35 R 19 91Y* ⇒ <a href="#">page 159</a>	8 J x 19 ⇒ <a href="#">page 166</a>	50	No	
	Winter tyres	205/50 R 17 93Q/T/H	6 J x 17 ⇒ <a href="#">page 161</a>	48.5	Yes** ⇒ <a href="#">page 159</a>	** Only snow chains with fine links of no more than 8 mm may be used ⇒ Electronic Parts Catalogue „ETKA - Accessories Catalogue“

Tyre inflation pressures are located on a sticker in fuel tank flap or in ⇒ Maintenance ; Booklet ; Check tyres: condition, profile, inflation pressure, depth of tread .

### 23.2 Golf R, sales type 5K model year 2011

**Caution**  

*The Golf R will be listed according to the sales types and not by the type approval model codes.*

*The type approval model code and the associated type approval number are listed as follows.*

#### Golf R, type approval code 1K

Appendix to certificate statement 8106803334

The certificate statement can be found on the Volkswagen ServiceNet under Accessories/Tyres, Wheels and Tyres, Wheels and Tyres Guide.



Type Approval No.: e1\*2001/116\*0242\*34

### Overview

Model engine output	Tyres	Tyre size	Wheel rim	Off-set in mm	Snow chains	Remarks
2.0l 188 kW; 2.0l 199 kW; petrol engine	Standard tyres	225/40 R 18 92Y	7 1/2 J x 18 ⇒ <a href="#">page 163</a>	51	No	General information on: ◆ Winter tyres ⇒ <a href="#">page 14</a> ◆ Snow chains ⇒ <a href="#">page 17</a>
	Modification	205/50 R 17 93W	6 J x 17 ⇒ <a href="#">page 161</a>	48.5	Yes** ⇒ <a href="#">page 160</a>	
		225/45 R 17 94W	7 1/2 J x 17 ⇒ <a href="#">page 161</a>	51	No	Tyre makes recommended by Volkswagen: ◆ Summer tyres ⇒ <a href="#">page 501</a> ◆ Winter tyres ⇒ <a href="#">page 532</a>
		235/35 R 19 91Y* ⇒ <a href="#">page 160</a>	8 J x 19 ⇒ <a href="#">page 166</a>	50	No	
	Winter tyres	205/50 R 17 93Q/T/H	6 J x 17 ⇒ <a href="#">page 161</a>	48.5	Yes** ⇒ <a href="#">page 160</a>	** Only snow chains with fine links of no more than 8 mm may be used ⇒ Electronic Parts Catalogue „ETKA - Accessories Catalogue“ .

Tyre inflation pressures are located on a sticker in fuel tank flap or in ⇒ Maintenance ; Booklet ; Check tyres: condition, profile, inflation pressure, depth of tread .

## 23.3 Wheel allocation for Golf R, type 5K model year 2010 to model year 2011

Golf R, type approval code 1K

Explanation of information on wheels ⇒ [page 58](#)

Torque settings for wheel bolts ⇒ Running gear, axles, steering;  
Rep. gr. 44 ; Torque settings for fitting wheels

Pitch circle diameter: 112 mm

Number of wheel bolt holes: 5



### 23.3.1 6 J x 17

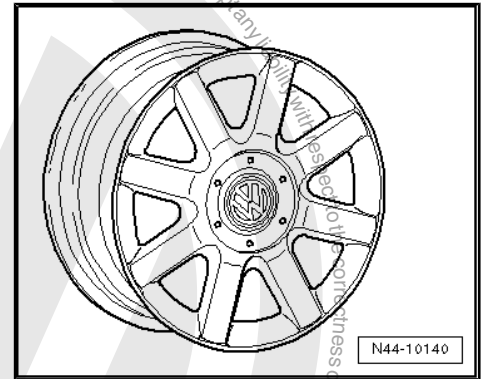
**Caution**

*Observe the allocation of wheels and tyres to the respective engines, which are listed in the overview table ⇒ [page 159](#) .*

#### Winter wheel

1K0 601 025 N - Wheel and tyre combination ⇒ [page 159](#)

Size:	6 J x 17
Wheel offset in mm:	48.5
Wheel load in kg:	615



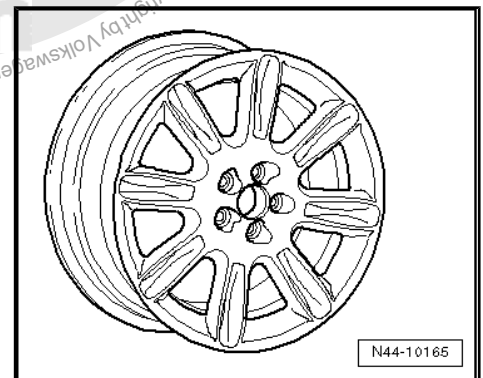
### 23.3.2 7 J x 17

**Caution**

*Observe the allocation of wheels and tyres to the respective engines, which are listed in the overview table ⇒ [page 159](#) .*

5M0 601 025 - Wheel and tyre combination ⇒ [page 159](#)

Size:	7 J x 17
Wheel offset in mm:	47
Wheel load in kg:	630



### 23.3.3 7 1/2 J x 17

**Caution**

*Observe the allocation of wheels and tyres to the respective engines, which are listed in the overview table ⇒ [page 159](#) .*



**5K0 601 025 N - Wheel and tyre combination ⇒ page 159**

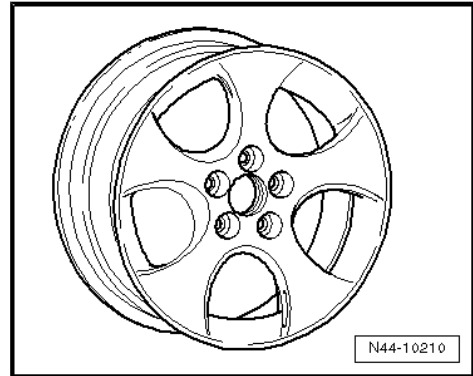
Only vehicles with sports running gear

Size:	7 <sup>1</sup> / <sub>2</sub> J x 17
Wheel offset in mm:	51
Wheel load in kg:	630



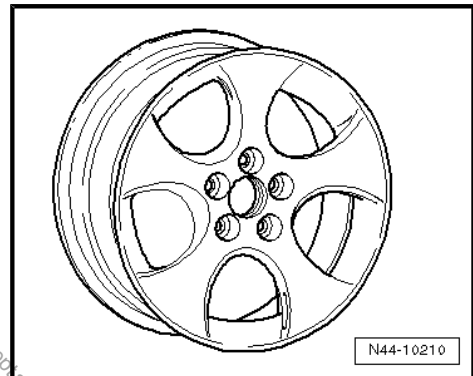
**1K0 601 025 AC - Wheel and tyre combination ⇒ page 159**

Size:	7 <sup>1</sup> / <sub>2</sub> J x 17
Wheel offset in mm:	51
Wheel load in kg:	615



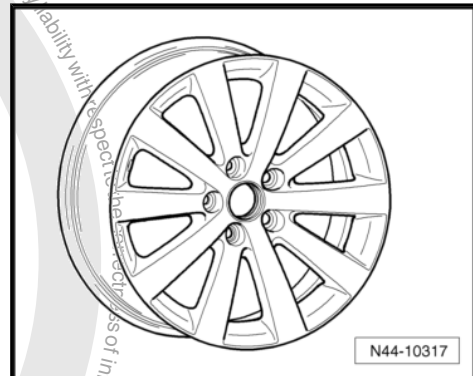
**1K0 601 025 BB - Wheel and tyre combination ⇒ page 159**

Size:	7 <sup>1</sup> / <sub>2</sub> J x 17
Wheel offset in mm:	51
Wheel load in kg:	615



**1K0 601 025 BK - Wheel and tyre combination ⇒ page 159**

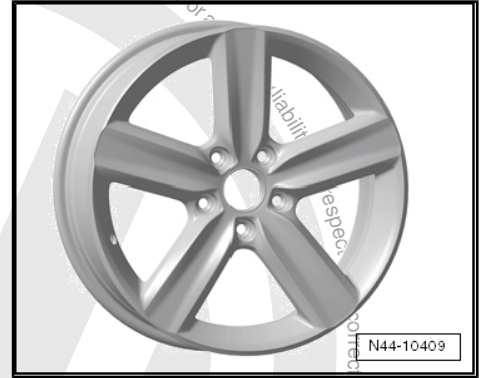
Size:	7 <sup>1</sup> / <sub>2</sub> J x 17
Wheel offset in mm:	51
Wheel load in kg:	615





**5K0 601 025 G - Wheel and tyre combination ⇒ page 159**

Size:	7 <sup>1</sup> / <sub>2</sub> J x 17
Wheel offset in mm:	51
Wheel load in kg:	630

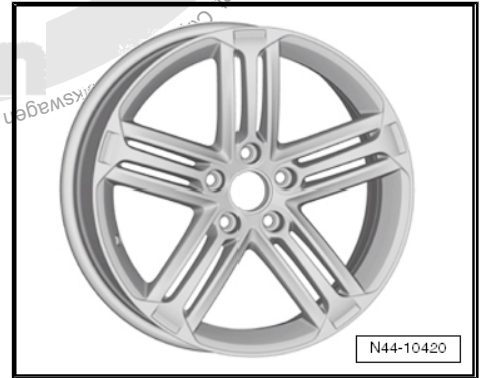


**23.3.4 7<sup>1</sup>/<sub>2</sub> J x 18**

**⚠ Caution**  
*Observe the allocation of wheels and tyres to the respective engines, which are listed in the overview table ⇒ page 159 .*

**5K0 601 025 H - Wheel and tyre combination ⇒ page 159**

Size:	7 <sup>1</sup> / <sub>2</sub> J x 18
Wheel offset in mm:	51
Wheel load in kg:	630



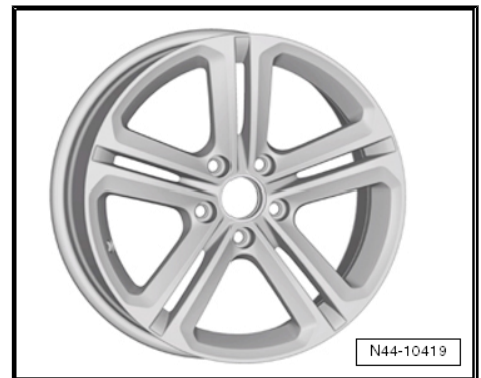
**5K0 601 025 L - Wheel and tyre combination ⇒ page 159**

Size:	7 <sup>1</sup> / <sub>2</sub> J x 18
Wheel offset in mm:	51
Wheel load in kg:	615



**5K0 601 025 P - Wheel and tyre combination ⇒ page 159**

Size:	7 <sup>1</sup> / <sub>2</sub> J x 18
Wheel offset in mm:	51
Wheel load in kg:	630





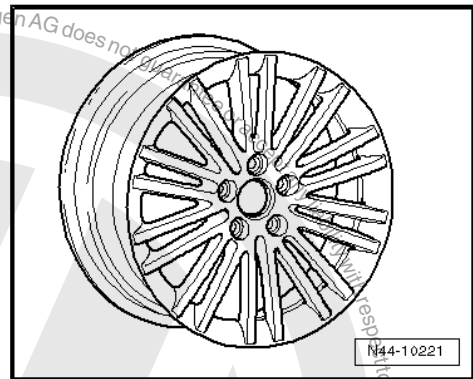
**5K0 601 025 AC - Wheel and tyre combination ⇒ page 159**

Size:	7 <sup>1</sup> / <sub>2</sub> J x 18
Wheel offset in mm:	51
Wheel load in kg:	630



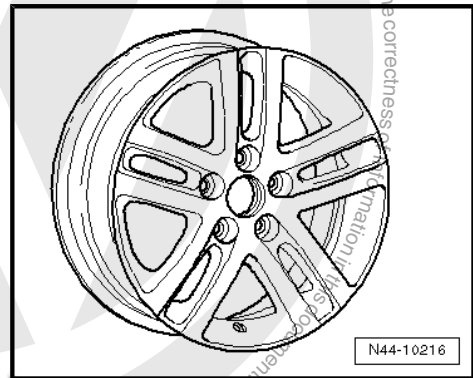
**1K0 601 025 AD - Wheel and tyre combination ⇒ page 159**

Size:	7 <sup>1</sup> / <sub>2</sub> J x 18
Wheel offset in mm:	51
Wheel load in kg:	630



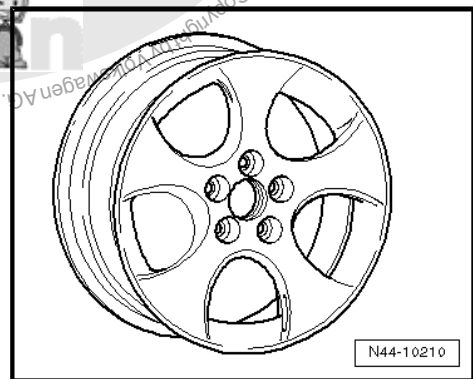
**1K0 601 025 AG - Wheel and tyre combination ⇒ page 159**

Size:	7 <sup>1</sup> / <sub>2</sub> J x 18
Wheel offset in mm:	51
Wheel load in kg:	630



**1K0 601 025 AH - Wheel and tyre combination ⇒ page 159**

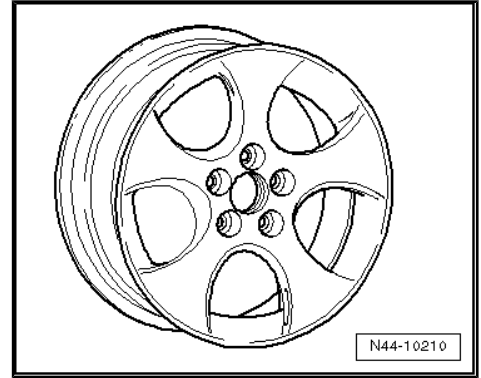
Size:	7 <sup>1</sup> / <sub>2</sub> J x 18
Wheel offset in mm:	51
Wheel load in kg:	615





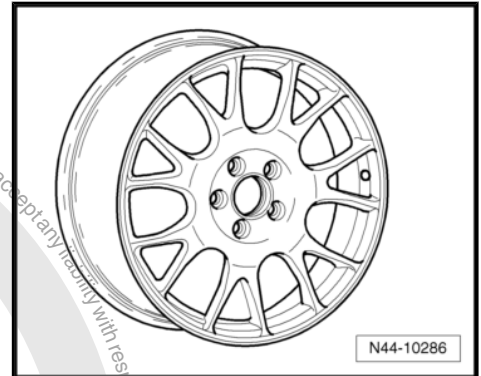
**1K0 601 025 AM - Wheel and tyre combination ⇒ page 159**

Size:	7 <sup>1</sup> / <sub>2</sub> J x 18
Wheel offset in mm:	51
Wheel load in kg:	615



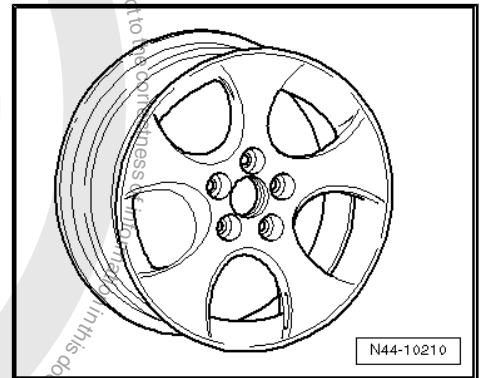
**1K0 601 025 AT, 1K0 601 025 CC - Wheel and tyre combination ⇒ page 159**

Size:	7 <sup>1</sup> / <sub>2</sub> J x 18
Wheel offset in mm:	51
Wheel load in kg:	615



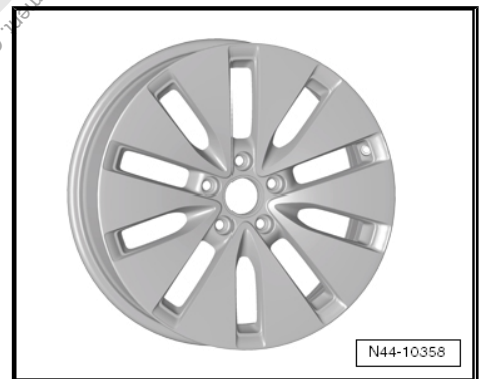
**1K0 601 025 BA - Wheel and tyre combination ⇒ page 159**

Size:	7 <sup>1</sup> / <sub>2</sub> J x 18
Wheel offset in mm:	51
Wheel load in kg:	615



**1K0 601 025 BE - Wheel and tyre combination ⇒ page 159**

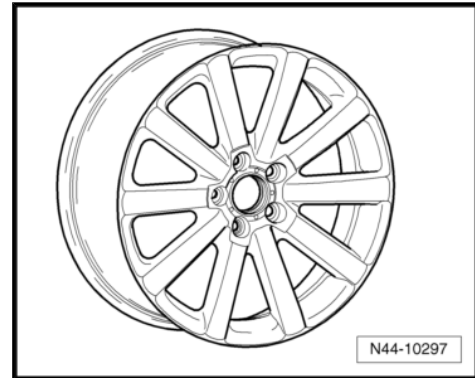
Size:	7 <sup>1</sup> / <sub>2</sub> J x 18
Wheel offset in mm:	51
Wheel load in kg:	615





1K0 601 025 BL - Wheel and tyre combination ⇒ [page 159](#)

Size:	7 <sup>1</sup> / <sub>2</sub> J x 18
Wheel offset in mm:	51
Wheel load in kg:	615



23.3.5 8 J x 19



Caution

*Observe the allocation of wheels and tyres to the respective engines, which are listed in the overview table ⇒ [page 159](#) .*



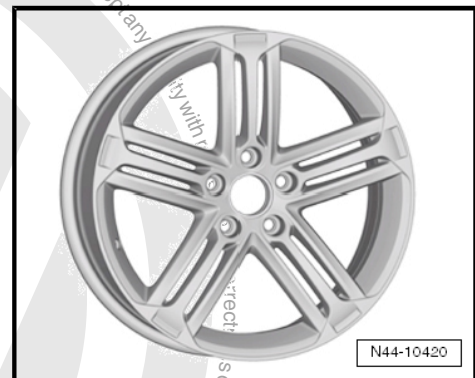
Caution

*8 J x 19 wheels can only be fitted under the following conditions:*

- *The wheels may only be fitted on R vehicles which have factory-fitted 19 inch wheels and have been delivered with these wheels.*
- *Retrofitting vehicles with factory fitted 18 inch wheels is not possible.*
- *The running gear settings are analogue the 18 inch running gear.*

5K0 601 025 M - Wheel and tyre combination ⇒ [page 159](#)

Size:	8 J x 19
Wheel offset in mm:	50
Wheel load in kg:	630







## 24 Golf Plus from model year 2009

### General

Volkswagen vehicles are built according to the latest findings in safety engineering. To keep it that way, we recommend the use of only genuine Volkswagen spare parts. You can recognise this by the VW Audi logo and by the part number. It has been established that these parts are reliable, safe and suitable.

Despite constant appraisal of the market, we cannot assess other products on these points, even when in isolated cases they have been passed by official inspectors or have been granted official approval. Therefore, we cannot, of course, assume any liability if these products are installed.



#### WARNING

*The products from Volkswagen genuine parts and Votex genuine accessories may differ in fitting requirements, torque specifications and so on.*

*Always follow the respective fitting and operating instructions.*

The wheel and tyre combinations or changes listed in the vehicle tables refer exclusively to Volkswagen Genuine wheels. Approval of wheel and tyre combinations or a change to wheels from the accessories trade is not possible with the certificate statement attached here.



#### WARNING

*The fitting instructions and torque specifications for wheels from Votex genuine accessories may differ from those intended for wheels from Volkswagen genuine parts.*

*Therefore, always observe the torque settings for the wheel bolts as well as the respective fitting and operating instructions.*

### 24.1 Golf Plus, sales type 521 model year 2009 to model year 2011



#### Caution

*The Golf Plus will be listed according to the sales types and not by the type approval model codes.*

*The type approval model code and the associated type approval number are listed as follows.*

#### Golf Plus, type approval code 1KP

Appendix to certificate statement 8106803334

The certificate statement can be found on the Volkswagen ServiceNet under Accessories/Tyres, Wheels and Tyres, Wheels and Tyres Guide.



Type Approval No.: e1\*2001/116\*0304\*14 to  
e1\*2001/116\*0304\*20

Overview

Model engine output	Tyres	Tyre size	Wheel rim	Off-set in mm	Snow chains	Remarks
1.2l 63 kW; 1.2l 77 kW; 1.4l 59 kW; 1.6l 75 kW; petrol engines  1.6l 75 kW; FlexFuel (Ethanol) 1.6l 75 kW BiFuel (LPG)  1.6l 66 kW TDI; 1.6l 77 kW TDI diesel engine	Standard tyres	195/65 R 15 91T	6 J x 15 ⇒ <a href="#">page 170</a>	47	Yes	General information on: ♦ Winter tyres ⇒ <a href="#">page 14</a> ♦ Snow chains ⇒ <a href="#">page 17</a>  Tyre makes recommended by Volkswagen:  ♦ Summer tyres ⇒ <a href="#">page 501</a> ♦ All-season tyres ⇒ <a href="#">page 523</a> ♦ Winter tyres ⇒ <a href="#">page 532</a>  * 225/40 R 18 92Y tyres on 7 <sup>1</sup> / <sub>2</sub> J x 18 rims with an offset of 51 are permitted only on vehicles with sports running gear and a rear axle camber of -1°45'!
	Modification	195/65 R 15 91H/V	6 J x 15 ⇒ <a href="#">page 170</a>	47	Yes	
		195/65 R 15 91T/H/V	6 <sup>1</sup> / <sub>2</sub> J x 15 ⇒ <a href="#">page 171</a>	50	Yes	
		205/60 R 15 91T/H/V	6 J x 15 ⇒ <a href="#">page 170</a>	47	Yes	
		205/55 R 16 91T/H/V/W	6 <sup>1</sup> / <sub>2</sub> J x 16 ⇒ <a href="#">page 172</a>	50	No	
		225/45 R 17 91T/H/V/W	7 J x 17 ⇒ <a href="#">page 178</a>	54	No	
		225/40 R 18 92Y* ⇒ <a href="#">page 168</a>	7 <sup>1</sup> / <sub>2</sub> J x 18 ⇒ <a href="#">page 181</a>	51	No	
	Winter tyres	195/65 R 15 91Q/T/H	6 J x 15 ⇒ <a href="#">page 170</a>	47	Yes	
		205/55 R 16 91Q/T/H	6 J x 16 ⇒ <a href="#">page 172</a>	50	Yes	
	1.4l 90 kW petrol engine  2.0l 81 kW; 2.0l 100 kW; 2.0l 103 kW diesel engine	Standard tyres	195/65 R 15 91H	6 J x 15 ⇒ <a href="#">page 170</a>	47	
Modification		195/65 R 15 91V	6 J x 15 ⇒ <a href="#">page 170</a>	47	Yes	
		195/65 R 15 91H/V	6 <sup>1</sup> / <sub>2</sub> J x 15 ⇒ <a href="#">page 171</a>	50	Yes	



Model engine output	Tyres	Tyre size	Wheel rim	Off-set in mm	Snow chains	Remarks
		205/60 R 15 91H/V	6 J x 15 ⇒ <a href="#">page 170</a>	47	Yes	
		205/55 R 16 91H/V/W	6 <sup>1</sup> / <sub>2</sub> J x 16 ⇒ <a href="#">page 172</a>	50	No	
		225/45 R 17 91H/V/W	7 J x 17 ⇒ <a href="#">page 178</a>	54	No	
		225/40 R 18 92Y* ⇒ <a href="#">page 169</a>	7 <sup>1</sup> / <sub>2</sub> J x 18 ⇒ <a href="#">page 181</a>	51	No	
	Winter tyres	195/65 R 15 91Q/T/H	6 J x 15 ⇒ <a href="#">page 170</a>	47	Yes	
		205/55 R 16 91Q/T/H	6 J x 16 ⇒ <a href="#">page 172</a>	50	Yes	
1.4l 118 kW petrol engine	Standard tyres	205/55 R 16 91V	6 <sup>1</sup> / <sub>2</sub> J x 16 ⇒ <a href="#">page 172</a>	50	No	
	Modification	205/55 R 16 91W	6 <sup>1</sup> / <sub>2</sub> J x 16 ⇒ <a href="#">page 172</a>	50	No	
		225/45 R 17 91V/W	7 J x 17 ⇒ <a href="#">page 178</a>	54	No	
		225/40 R 18 92Y* ⇒ <a href="#">page 169</a>	7 <sup>1</sup> / <sub>2</sub> J x 18 ⇒ <a href="#">page 181</a>	51	No	
	Winter tyres	205/55 R 16 91Q/T/H	6 J x 16 ⇒ <a href="#">page 172</a>	50	Yes	
		205/50 R 17 93Q/T/H	6 J x 17 ⇒ <a href="#">page 177</a>	48.5	Yes** ⇒ <a href="#">page 169</a>	

Tyre inflation pressures are located on a sticker in fuel tank flap or in ⇒ Maintenance ; Booklet ; Check tyres: condition, profile, inflation pressure, depth of tread .



## 24.2 Wheel allocation for Golf Plus, sales type 521 model year 2009 to model year 2011

Golf Plus, type approval code 1KP

Explanation of information on wheels ⇒ [page 58](#)

Torque settings for wheel bolts ⇒ Running gear, axles, steering;  
Rep. gr. 44 ; Torque settings for fitting wheels

Pitch circle diameter:

112 mm

Number of wheel bolt holes:

5

### 24.2.1 6 J x 15

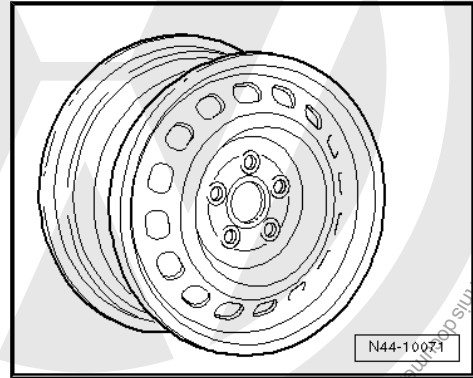


#### Caution

*Observe the allocation of wheels and tyres to the respective engines, which are listed in the overview table ⇒ [page 168](#) .*

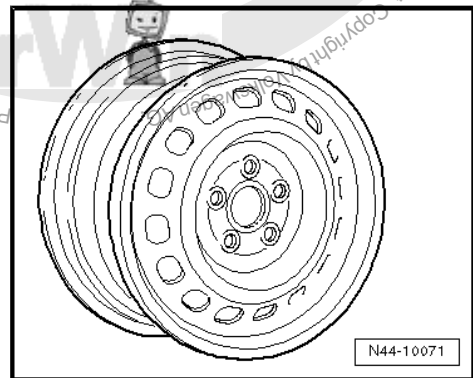
1K0 601 027 C, 1K0 601 027 H - Wheel and tyre combination  
⇒ [page 168](#)

Size:	6 J x 15
Wheel offset in mm:	47
Wheel load in kg:	615



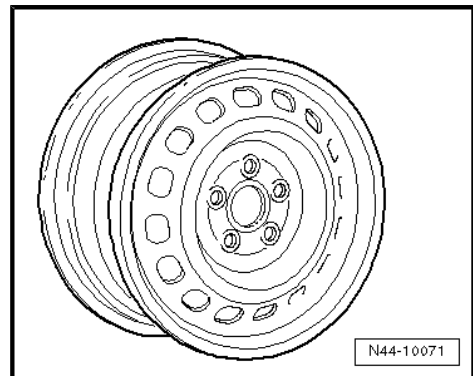
1K0 601 027 T, 1K0 601 027 AG - Wheel and tyre combination  
⇒ [page 168](#)

Size:	6 J x 15
Wheel offset in mm:	47
Wheel load in kg:	615



2K0 601 027 - Wheel and tyre combination ⇒ [page 168](#)

Size:	6 J x 15
Wheel offset in mm:	47
Wheel load in kg:	650





## 24.2.2 6<sup>1</sup>/<sub>2</sub> J x 15

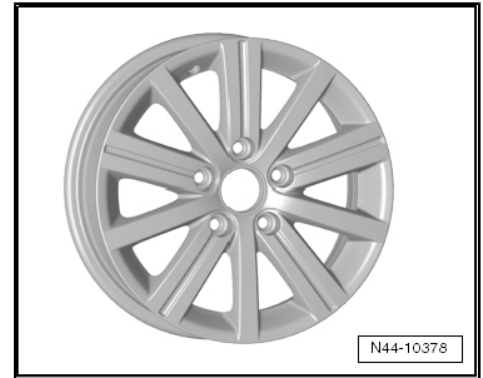


### Caution

*Observe the allocation of wheels and tyres to the respective engines, which are listed in the overview table ⇒ [page 168](#).*

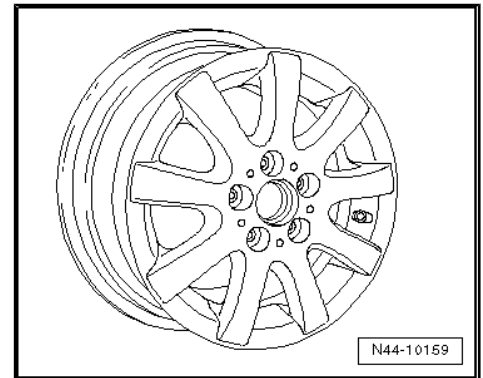
### 5k0 601 025 J - Wheel and tyre combination ⇒ [page 168](#)

Size:	6 <sup>1</sup> / <sub>2</sub> J x 15
Wheel offset in mm:	50
Wheel load in kg:	600



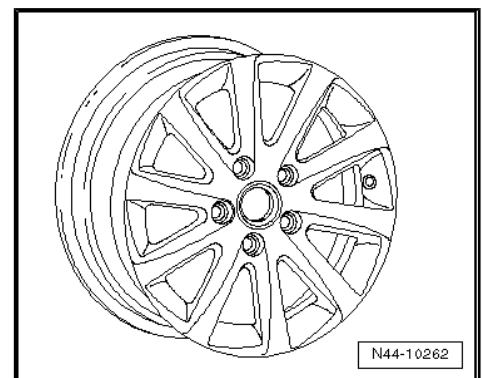
### 1K0 601,025 A - Wheel and tyre combination ⇒ [page 168](#)

Size:	6 <sup>1</sup> / <sub>2</sub> J x 15
Wheel offset in mm:	50
Wheel load in kg:	600



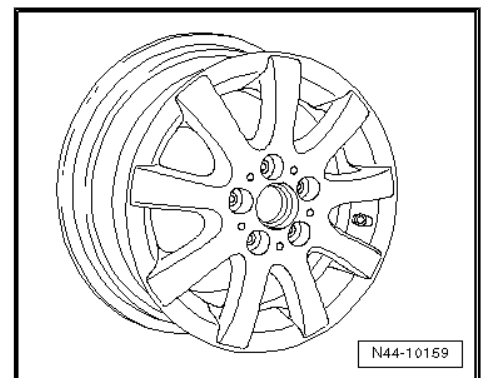
### 1K0 601 025 AK - Wheel and tyre combination ⇒ [page 168](#)

Size:	6 <sup>1</sup> / <sub>2</sub> J x 15
Wheel offset in mm:	50
Wheel load in kg:	600



### 1K0 601 025 AQ - Wheel and tyre combination ⇒ [page 168](#)

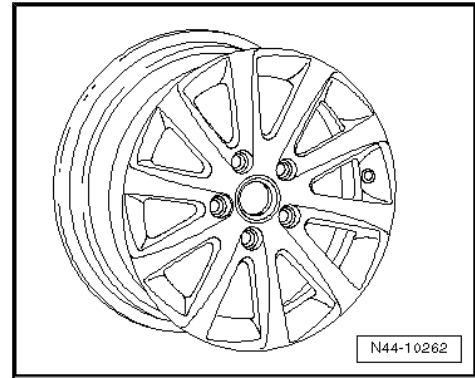
Size:	6 <sup>1</sup> / <sub>2</sub> J x 15
Wheel offset in mm:	50
Wheel load in kg:	600





**1K0 601 025 CA - Wheel and tyre combination ⇒ page 168**

Size:	6 <sup>1</sup> / <sub>2</sub> J x 15
Wheel offset in mm:	50
Wheel load in kg:	600



**24.2.3 6 J x 16**



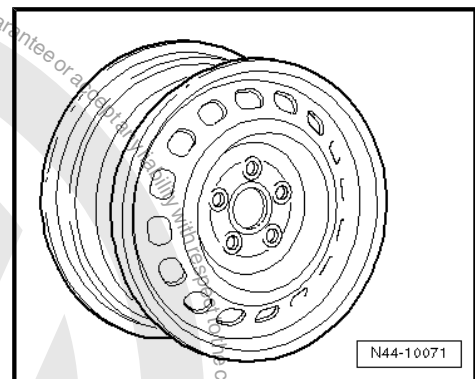
**Caution**

*Observe the allocation of wheels and tyres to the respective engines, which are listed in the overview table ⇒ page 168 .*

**Winter wheels**

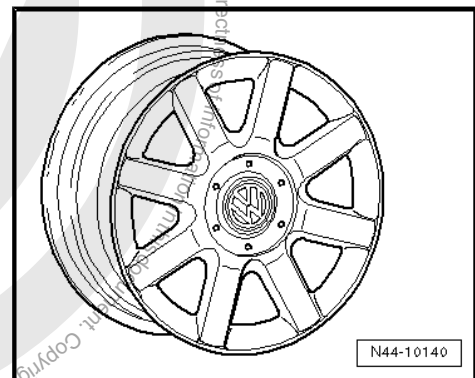
**8P0 601 027 - Wheel and tyre combination ⇒ page 168**

Size:	6 J x 16
Wheel offset in mm:	50
Wheel load in kg:	600



**1K0 601 025 Q - Wheel and tyre combination ⇒ page 168**

Size:	6 J x 16 EH2 ⇒ page 58
Wheel offset in mm:	50
Wheel load in kg:	615



**24.2.4 6<sup>1</sup>/<sub>2</sub> J x 16**



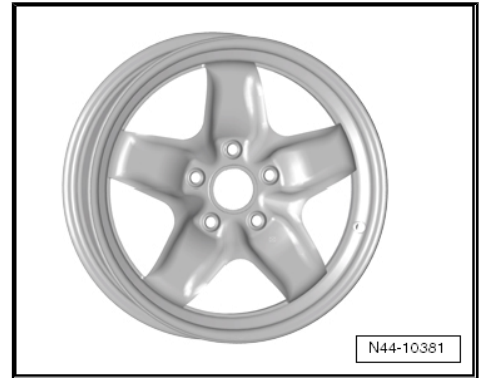
**Caution**

*Observe the allocation of wheels and tyres to the respective engines, which are listed in the overview table ⇒ page 168 .*



**5K0 601 027 - Wheel and tyre combination ⇒ [page 168](#)**

Size:	6 <sup>1</sup> / <sub>2</sub> J x 16
Wheel offset in mm:	50
Wheel load in kg:	615



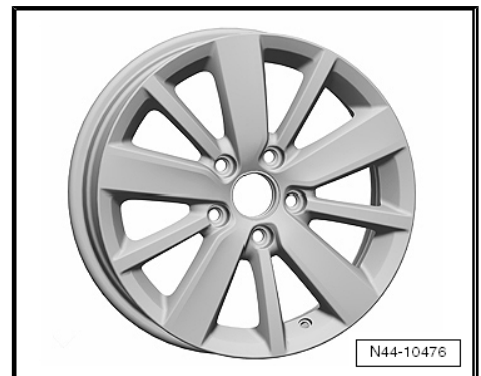
**5K0 601 025 E - Wheel and tyre combination ⇒ [page 168](#)**

Size:	6 <sup>1</sup> / <sub>2</sub> J x 16
Wheel offset in mm:	50
Wheel load in kg:	615



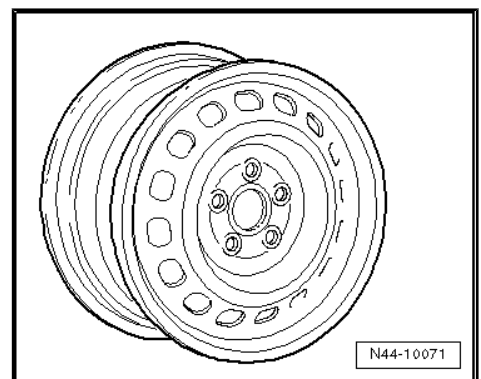
**5K0 601 025 S - Wheel and tyre combination ⇒ [page 168](#)**

Size:	6 <sup>1</sup> / <sub>2</sub> J x 16
Wheel offset in mm:	50
Wheel load in kg:	615



**1K0 601 027 A - Wheel and tyre combination ⇒ [page 168](#)**

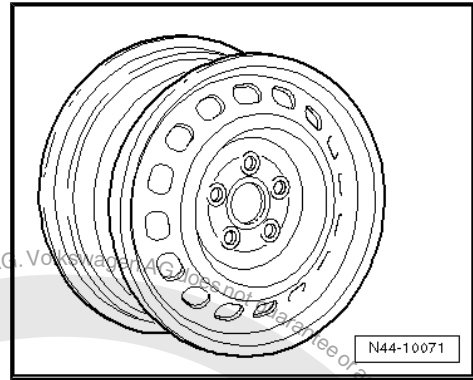
Size:	6 <sup>1</sup> / <sub>2</sub> J x 16
Wheel offset in mm:	50
Wheel load in kg:	615





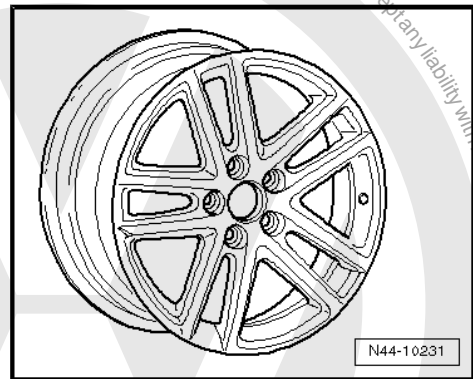
**1K0 601 027 J - Wheel and tyre combination ⇒ page 168**

Size:	6 <sup>1</sup> / <sub>2</sub> J x 16
Wheel offset in mm:	50
Wheel load in kg:	615



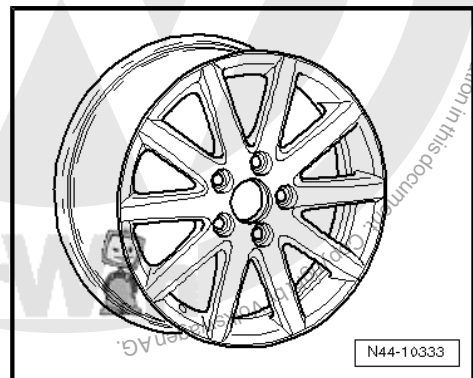
**1K0 601 025 AJ - Wheel and tyre combination ⇒ page 168**

Size:	6 <sup>1</sup> / <sub>2</sub> J x 16
Wheel offset in mm:	50
Wheel load in kg:	615



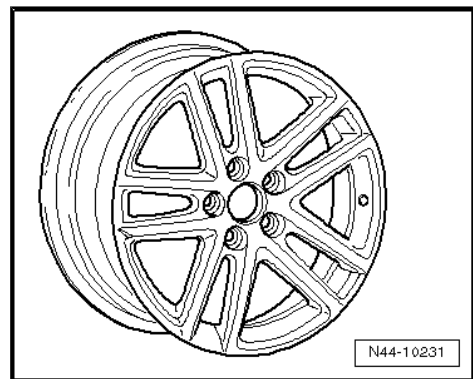
**1K0 601 025 BC - Wheel and tyre combination ⇒ page 168**

Size:	6 <sup>1</sup> / <sub>2</sub> J x 16
Wheel offset in mm:	50
Wheel load in kg:	615



**1K0 601 025 BM - Wheel and tyre combination ⇒ page 168**

Size:	6 <sup>1</sup> / <sub>2</sub> J x 16
Wheel offset in mm:	50
Wheel load in kg:	615

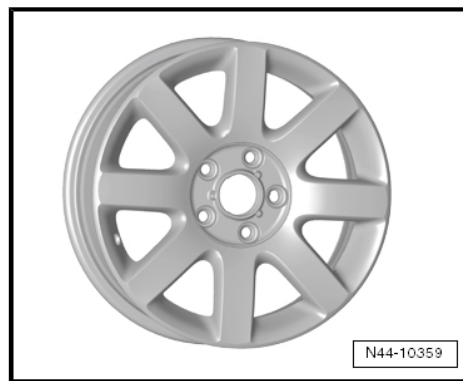






**1K0 601 025 BR - Wheel and tyre combination ⇒ page 168**

Size:	6 <sup>1</sup> / <sub>2</sub> J x 16
Wheel offset in mm:	50
Wheel load in kg:	615



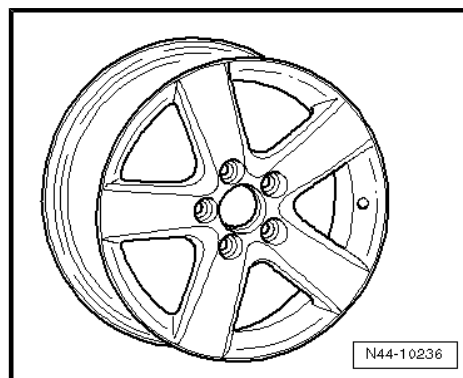
**1K0 601 025 BS - Wheel and tyre combination ⇒ page 168**

Size:	6 <sup>1</sup> / <sub>2</sub> J x 16
Wheel offset in mm:	50
Wheel load in kg:	615



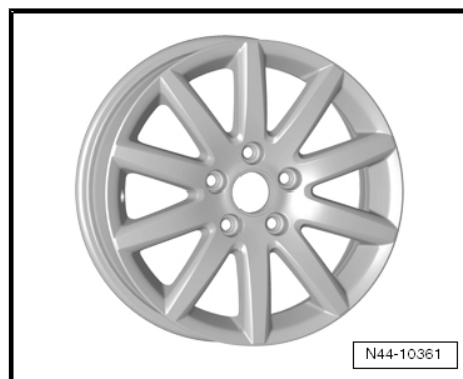
**1K0 601 025 CB - Wheel and tyre combination ⇒ page 168**

Size:	6 <sup>1</sup> / <sub>2</sub> J x 16
Wheel offset in mm:	50
Wheel load in kg:	615



**1K0 601 025 CG - Wheel and tyre combination ⇒ page 168**

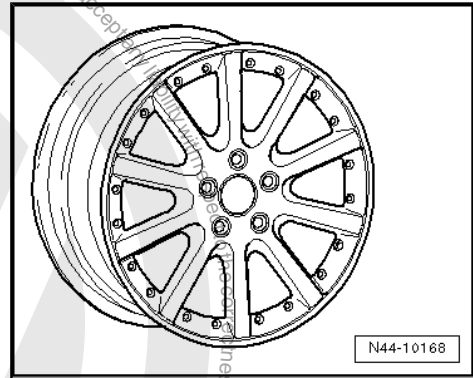
Size:	6 <sup>1</sup> / <sub>2</sub> J x 16
Wheel offset in mm:	50
Wheel load in kg:	615





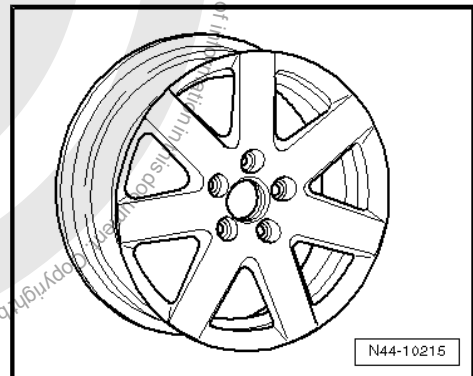
**1K0 601 025 F - Wheel and tyre combination ⇒ page 168**

Size:	6 <sup>1</sup> / <sub>2</sub> J x 16
Wheel offset in mm:	50
Wheel load in kg:	615



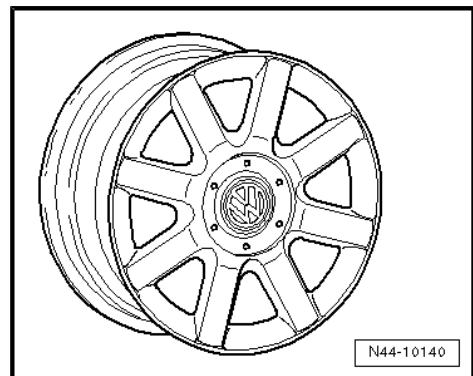
**1K0 601 025 P - Wheel and tyre combination ⇒ page 168**

Size:	6 <sup>1</sup> / <sub>2</sub> J x 16
Wheel offset in mm:	50
Wheel load in kg:	615



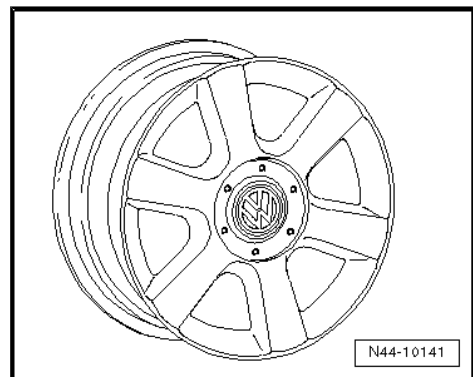
**1K0 601 025 R - Wheel and tyre combination ⇒ page 168**

Size:	6 <sup>1</sup> / <sub>2</sub> J x 16
Wheel offset in mm:	50
Wheel load in kg:	615



**1T0 601 025 C - Wheel and tyre combination ⇒ page 168**

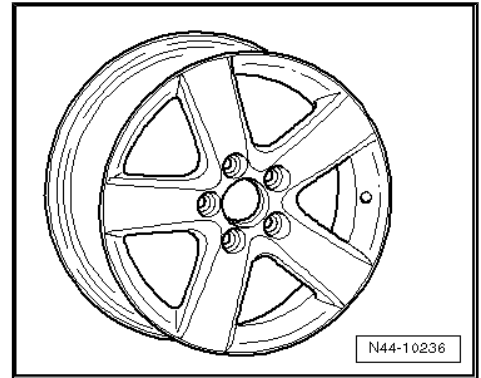
Size:	6 <sup>1</sup> / <sub>2</sub> J x 16
Wheel offset in mm:	50
Wheel load in kg:	615





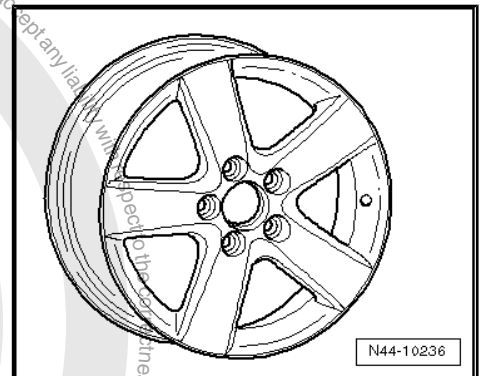
**1T0 601 025 G, 1T0 601 025 K - Wheel and tyre combination**  
 ⇒ [page 168](#)

Size:	6 <sup>1</sup> / <sub>2</sub> J x 16
Wheel offset in mm:	50
Wheel load in kg:	615



**1T0 601 025 M - Wheel and tyre combination** ⇒ [page 168](#)

Size:	6 <sup>1</sup> / <sub>2</sub> J x 16
Wheel offset in mm:	50
Wheel load in kg:	615



**1T0 601 025 R - Wheel and tyre combination** ⇒ [page 168](#)

Size:	6 <sup>1</sup> / <sub>2</sub> J x 16
Wheel offset in mm:	50
Wheel load in kg:	615



**24.2.5 6 J x 17**



**Caution**

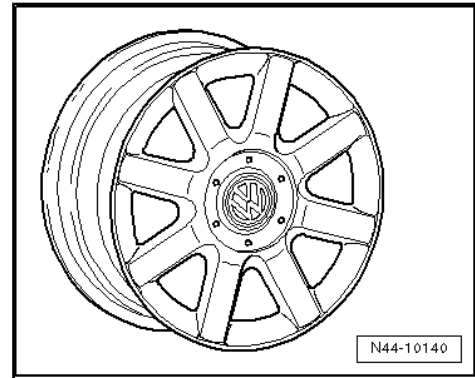
*Observe the allocation of wheels and tyres to the respective engines, which are listed in the overview table ⇒ [page 168](#).*



**Winter wheel**

**1K0 601 025 N - Wheel and tyre combination ⇒ page 169**

Size:	6 J x 17
Wheel offset in mm:	48.5
Wheel load in kg:	615



**24.2.6 7 J x 17**

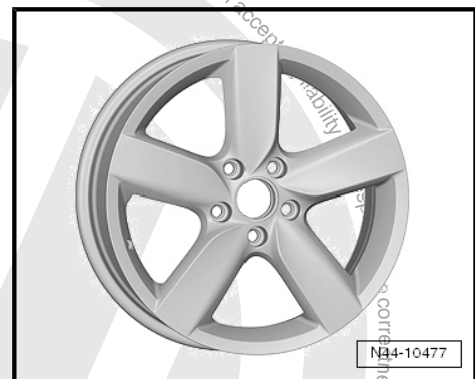


**Caution**

*Observe the allocation of wheels and tyres to the respective engines, which are listed in the overview table ⇒ page 168 .*

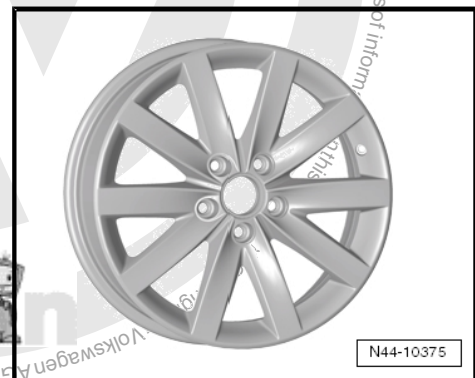
**5K0 601 025 AA - Wheel and tyre combination ⇒ page 168**

Size:	7 J x 17
Wheel offset in mm:	54
Wheel load in kg:	615



**5K0 601 025 D - Wheel and tyre combination ⇒ page 168**

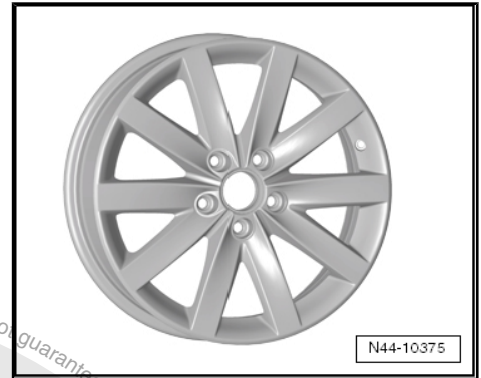
Size:	7 J x 17
Wheel offset in mm:	54
Wheel load in kg:	615





**5K0 601 025 F - Wheel and tyre combination ⇒ page 168**

Size:	7 J x 17
Wheel offset in mm:	54
Wheel load in kg:	615



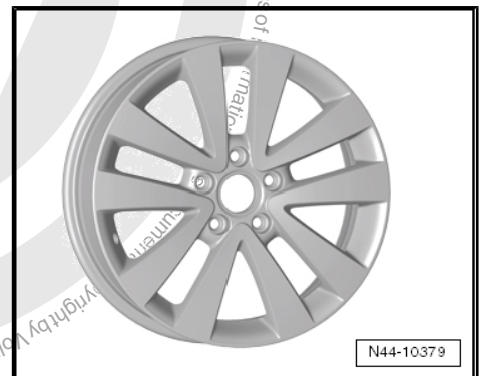
**5K0 601 025 K - Wheel and tyre combination ⇒ page 168**

Size:	7 J x 17
Wheel offset in mm:	54
Wheel load in kg:	615



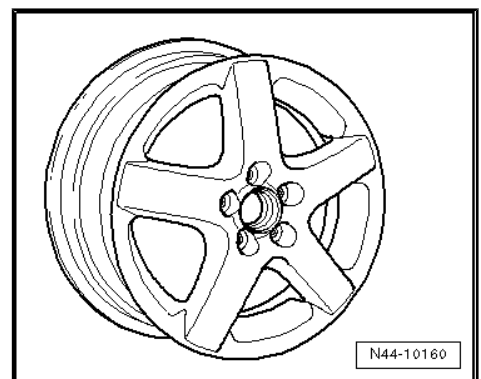
**5K0 601 025 Q, 5K0 601 025 R - Wheel and tyre combination ⇒ page 168**

Size:	7 J x 17
Wheel offset in mm:	54
Wheel load in kg:	615



**1K0 601 025 B - Wheel and tyre combination ⇒ page 168**

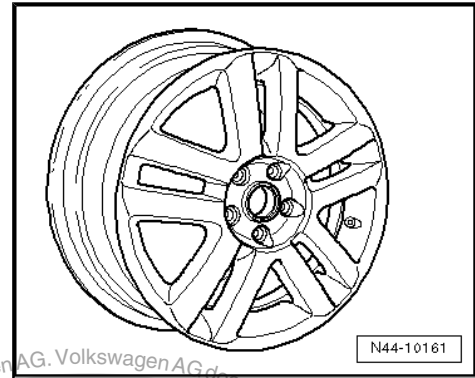
Size:	7 J x 17
Wheel offset in mm:	54
Wheel load in kg:	615





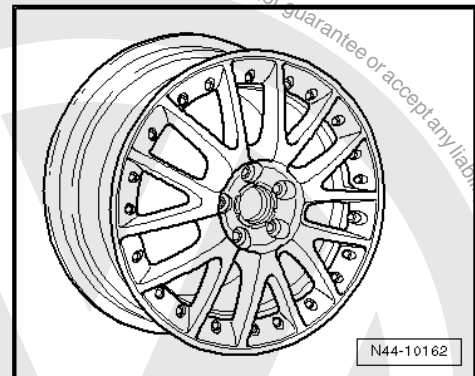
**1K0 601,025 C - Wheel and tyre combination ⇒ page 168**

Size:	7 J x 17
Wheel offset in mm:	54
Wheel load in kg:	615



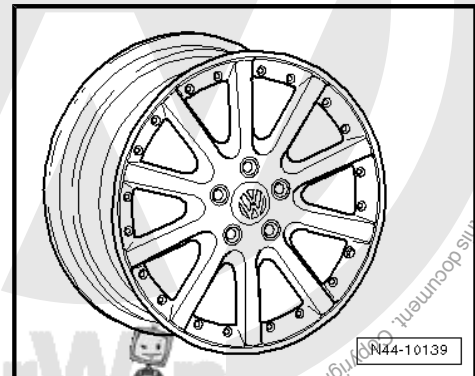
**1K0 601 025 J - Wheel and tyre combination ⇒ page 168**

Size:	7 J x 17
Wheel offset in mm:	54
Wheel load in kg:	615



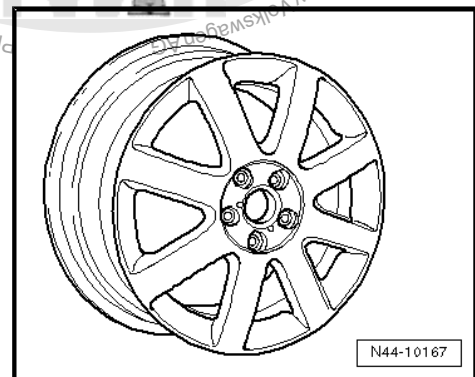
**1K0 601 025 K - Wheel and tyre combination ⇒ page 168**

Size:	7 J x 17
Wheel offset in mm:	54
Wheel load in kg:	615



**1K0 601 025 M - Wheel and tyre combination ⇒ page 168**

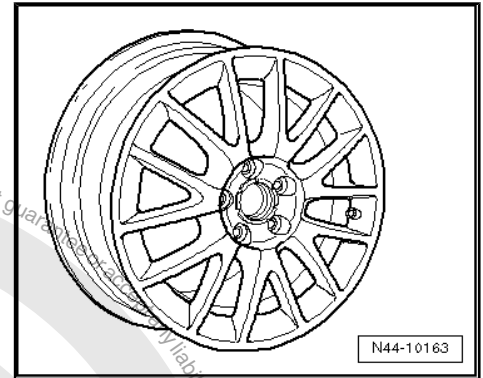
Size:	7 J x 17
Wheel offset in mm:	54
Wheel load in kg:	615





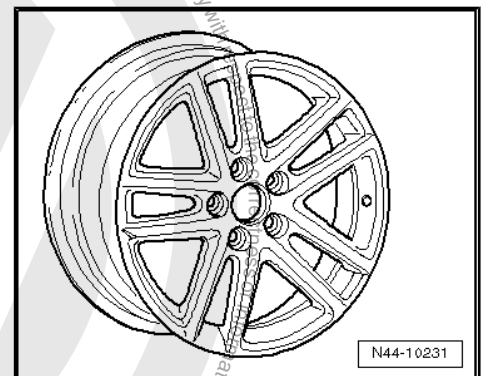
**1K0 601 025 T - Wheel and tyre combination ⇒ page 168**

Size:	7 J x 17
Wheel offset in mm:	54
Wheel load in kg:	615



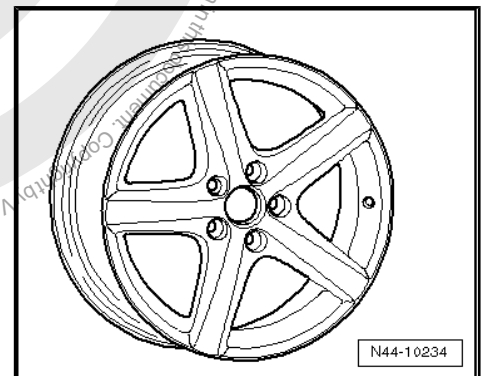
**1K0 601 025 AF - Wheel and tyre combination ⇒ page 168**

Size:	7 J x 17
Wheel offset in mm:	54
Wheel load in kg:	630



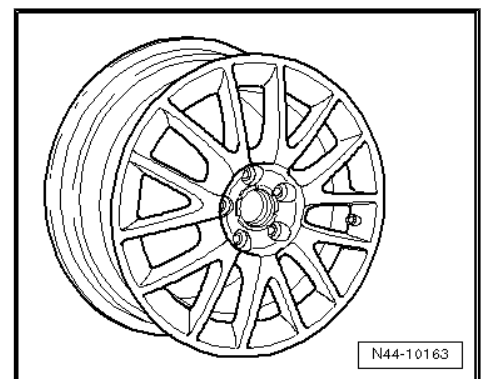
**1K0 601 025 AE - Wheel and tyre combination ⇒ page 168**

Size:	7 J x 17
Wheel offset in mm:	54
Wheel load in kg:	630



**1K0 601 025 AN - Wheel and tyre combination ⇒ page 168**

Size:	7 J x 17
Wheel offset in mm:	54
Wheel load in kg:	615



**24.2.7 7½ J x 18**



**Caution**

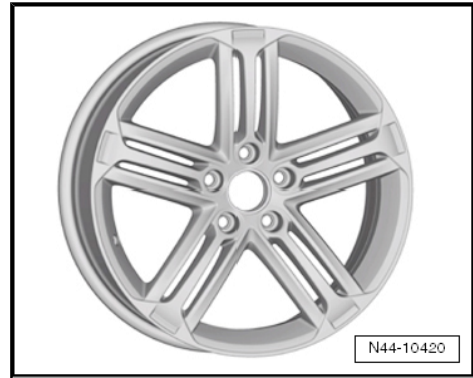
*Observe the allocation of wheels and tyres to the respective engines, which are listed in the overview table ⇒ page 168 .*



**5K0 601 025 H - Wheel and tyre combination ⇒ page 168**

Only for vehicles with sports running gear and rear axle camber of  $-1^{\circ}45'$

Size:	7 $\frac{1}{2}$ J x 18
Wheel offset in mm:	51
Wheel load in kg:	630



**5K0 601 025 L - Wheel and tyre combination ⇒ page 168**

Only for vehicles with sports running gear and rear axle camber of  $-1^{\circ}45'$

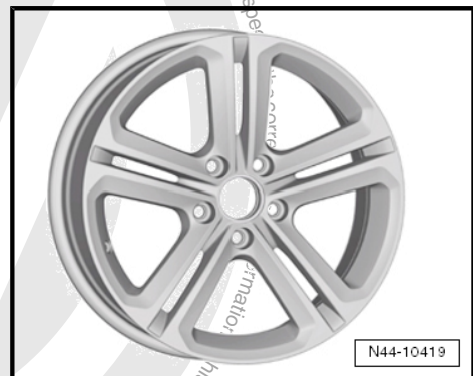
Size:	7 $\frac{1}{2}$ J x 18
Wheel offset in mm:	51
Wheel load in kg:	615



**5K0 601 025 P - Wheel and tyre combination ⇒ page 168**

Only for vehicles with sports running gear and rear axle camber of  $-1^{\circ}45'$

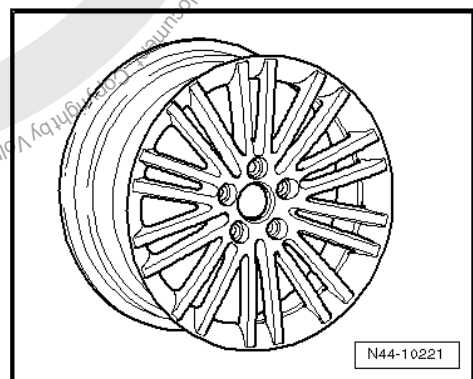
Size:	7 $\frac{1}{2}$ J x 18
Wheel offset in mm:	51
Wheel load in kg:	630



**1K0 601 025 AD - Wheel and tyre combination ⇒ page 168**

Only for vehicles with sports running gear and rear axle camber of  $-1^{\circ}45'$

Size:	7 $\frac{1}{2}$ J x 18
Wheel offset in mm:	51
Wheel load in kg:	630



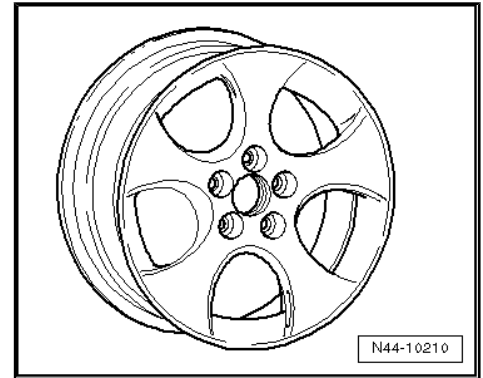




**1K0 601 025 AH - Wheel and tyre combination ⇒ page 168**

Only for vehicles with sports running gear and rear axle camber of -1°45'

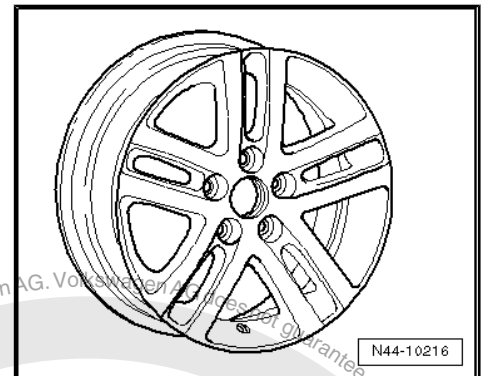
Size:	7 <sup>1</sup> / <sub>2</sub> J x 18
Wheel offset in mm:	51
Wheel load in kg:	615



**1K0 601 025 AG - Wheel and tyre combination ⇒ page 168**

Only for vehicles with sports running gear and rear axle camber of -1°45'

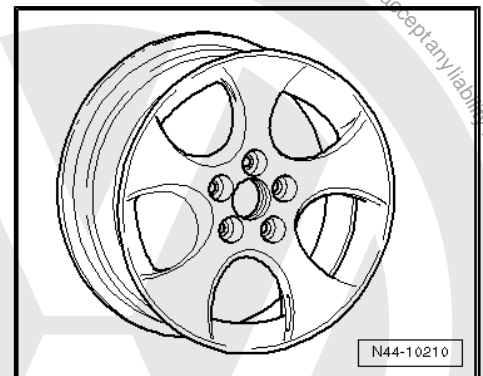
Size:	7 <sup>1</sup> / <sub>2</sub> J x 18
Wheel offset in mm:	51
Wheel load in kg:	630



**1K0 601 025 AM - Wheel and tyre combination ⇒ page 168**

Only for vehicles with sports running gear and rear axle camber of -1°45'

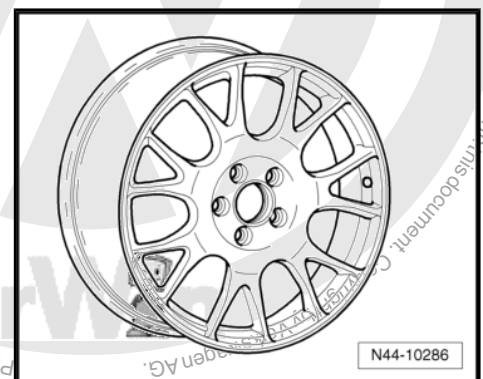
Size:	7 <sup>1</sup> / <sub>2</sub> J x 18
Wheel offset in mm:	51
Wheel load in kg:	615



**1K0 601 025 AT, 1K0 601 025 CC - Wheel and tyre combination ⇒ page 168**

Only for vehicles with sports running gear and rear axle camber of -1°45'

Size:	7 <sup>1</sup> / <sub>2</sub> J x 18
Wheel offset in mm:	51
Wheel load in kg:	615

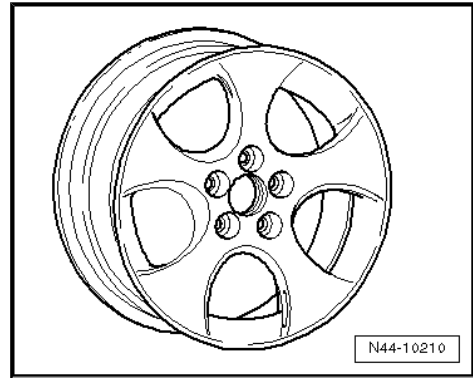




**1K0 601 025 BA - Wheel and tyre combination ⇒ page 168**

Only for vehicles with sports running gear and rear axle camber of  $-1^{\circ}45'$

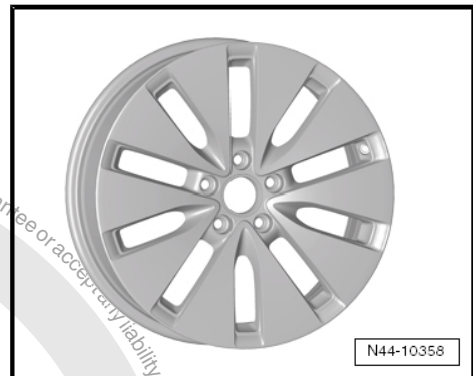
Size:	7 $\frac{1}{2}$ J x 18
Wheel offset in mm:	51
Wheel load in kg:	615



**1K0 601 025 BE - Wheel and tyre combination ⇒ page 168**

Only for vehicles with sports running gear and rear axle camber of  $-1^{\circ}45'$

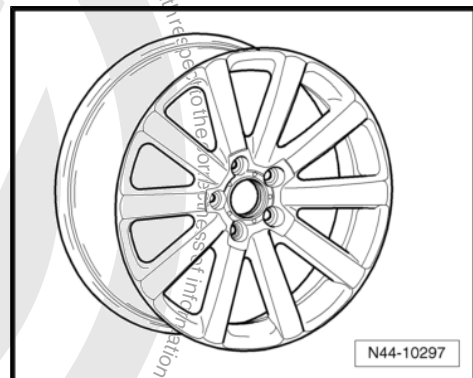
Size:	7 $\frac{1}{2}$ J x 18
Wheel offset in mm:	51
Wheel load in kg:	615



**1K0 601 025 BL - Wheel and tyre combination ⇒ page 168**

Only for vehicles with sports running gear and rear axle camber of  $-1^{\circ}45'$

Size:	7 $\frac{1}{2}$ J x 18
Wheel offset in mm:	51
Wheel load in kg:	615





## 25 Golf Plus BlueMotion from model year 2010

### General

Volkswagen vehicles are built according to the latest findings in safety engineering. To keep it that way, we recommend the use of only genuine Volkswagen spare parts. You can recognise this by the VW Audi logo and by the part number. It has been established that these parts are reliable, safe and suitable.

Despite constant appraisal of the market, we cannot assess other products on these points, even when in isolated cases they have been passed by official inspectors or have been granted official approval. Therefore, we cannot, of course, assume any liability if these products are installed.



#### WARNING

*The products from Volkswagen genuine parts and Votex genuine accessories may differ in fitting requirements, torque specifications and so on.*

*Always follow the respective fitting and operating instructions.*

The wheel and tyre combinations or changes listed in the vehicle tables refer exclusively to Volkswagen Genuine wheels. Approval of wheel and tyre combinations or a change to wheels from the accessories trade is not possible with the certificate statement attached here.



#### WARNING

*The fitting instructions and torque specifications for wheels from Votex genuine accessories may differ from those intended for wheels from Volkswagen genuine parts.*

*Therefore, always observe the torque settings for the wheel bolts as well as the respective fitting and operating instructions.*

### 25.1 Golf Plus BlueMotion, sales type 521, model year 2010 to model year 2011



#### Caution

*The Golf Plus BlueMotion will be listed according to the sales types and not by the type approval model codes.*

*The type approval model code and the associated type approval number are listed as follows.*

Golf Plus BlueMotion, type approval code 1KP

Appendix to certificate statement 8106803334

The certificate statement can be found on the Volkswagen ServiceNet under Accessories/Tyres, Wheels and Tyres, Wheels and Tyres Guide.



Type Approval No.: e1\*2001/116\*0304\*17 to  
e1\*2001/116\*0304\*20

### Overview

Model engine output	Tyres	Tyre size	Wheel rim	Off-set in mm	Snow chains	Remarks
1.2l 77 kW petrol engine	Standard tyres	195/65 R 15 91T	6 J x 15 ⇒ <a href="#">page 186</a>	47	Yes	General information on: ♦ Winter tyres ⇒ <a href="#">page 14</a> ♦ Snow chains ⇒ <a href="#">page 17</a>
1.6 l 77 kW TDI; diesel engine	Modification	195/65 R 15 91H/V	6 J x 15 ⇒ <a href="#">page 186</a>	47	Yes	Tyre makes recommended by Volkswagen: ♦ Summer tyres ⇒ <a href="#">page 503</a> ♦ Winter tyres ⇒ <a href="#">page 533</a>
		195/65 R 15 91T/H/V	6 1/2 J x 15 ⇒ <a href="#">page 187</a>	50	Yes	
		205/60 R 15 91T/H/V	6 J x 15 ⇒ <a href="#">page 186</a>	47	Yes	
		205/55 R 16 91T/H/V/W	6 1/2 J x 16 ⇒ <a href="#">page 188</a>	50	No	
	Winter tyres	195/65 R 15 91Q/T/H	6 J x 15 ⇒ <a href="#">page 186</a>	47	Yes	

Tyre inflation pressures are located on a sticker in fuel tank flap or in ⇒ Maintenance ; Booklet ; Check tyres: condition, profile, inflation pressure, depth of tread .

## 25.2 Wheel allocation for Golf Plus BlueMotion, sales type 521, model year 2010 to model year 2011

Golf Plus, type approval code 1KP

Explanation of information on wheels ⇒ [page 58](#)

Torque settings for wheel bolts ⇒ Running gear, axles, steering;  
Rep. gr. 44 ; Torque settings for fitting wheels

Pitch circle diameter: 112 mm

Number of wheel bolt holes: 5

### 25.2.1 6 J x 15



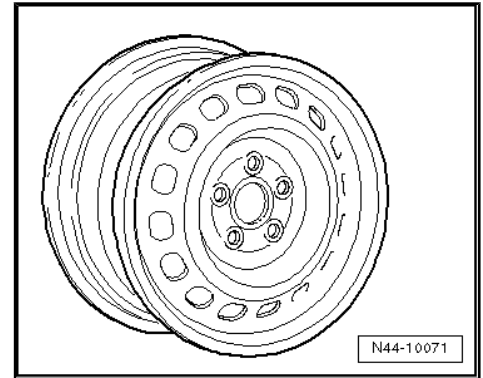
#### Caution

*Observe the allocation of wheels and tyres to the respective engines, which are listed in the overview table ⇒ [page 186](#) .*



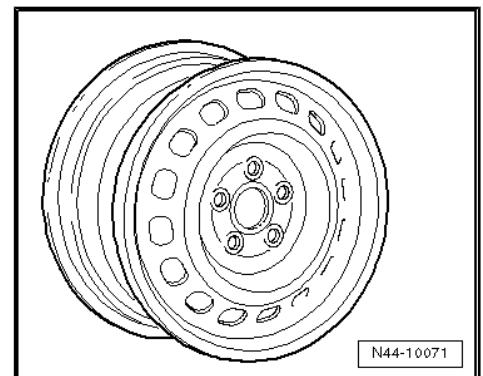
**1K0 601 027 C, 1K0 601 027 H - Wheel and tyre combination**  
⇒ [page 186](#)

Size:	6 J x 15
Wheel offset in mm:	47
Wheel load in kg:	615



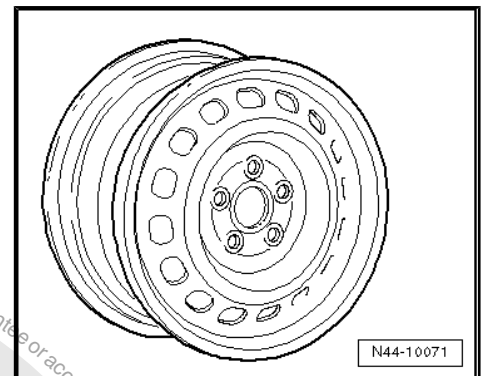
**1K0 601 027 T, 1K0 601 027 AG - Wheel and tyre combination**  
⇒ [page 186](#)

Size:	6 J x 15
Wheel offset in mm:	47
Wheel load in kg:	615




**2K0 601 027 - Wheel and tyre combination** ⇒ [page 186](#)

Size:	6 J x 15
Wheel offset in mm:	47
Wheel load in kg:	650



**25.2.2 6<sup>1</sup>/<sub>2</sub> J x 15**

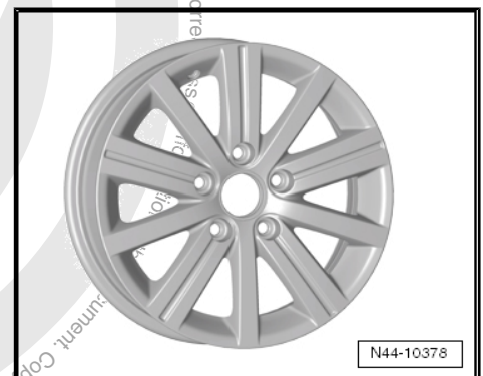


**Caution**

*Observe the allocation of wheels and tyres to the respective engines, which are listed in the overview table ⇒ [page 186](#).*

**5k0 601 025 J - Wheel and tyre combination** ⇒ [page 186](#)

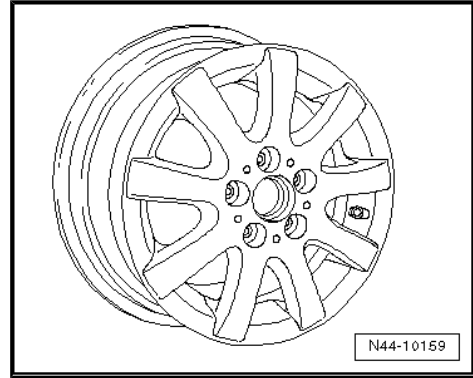
Size:	6 <sup>1</sup> / <sub>2</sub> J x 15
Wheel offset in mm:	50
Wheel load in kg:	600





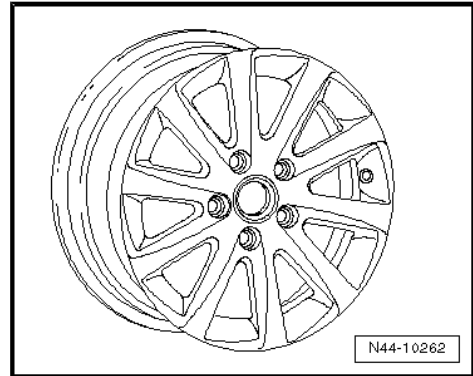
**1K0 601,025 A - Wheel and tyre combination ⇒ page 186**

Size:	6 <sup>1</sup> / <sub>2</sub> J x 15
Wheel offset in mm:	50
Wheel load in kg:	600



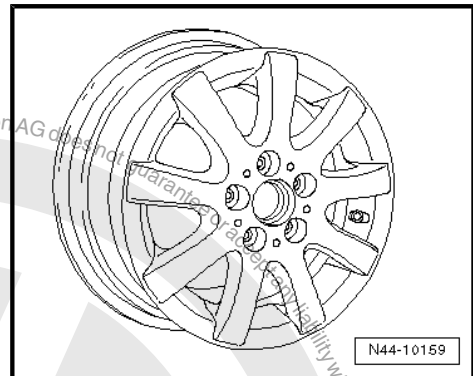
**1K0 601 025 AK - Wheel and tyre combination ⇒ page 186**

Size:	6 <sup>1</sup> / <sub>2</sub> J x 15
Wheel offset in mm:	50
Wheel load in kg:	600



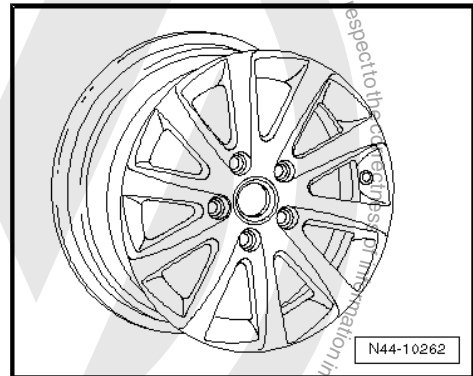
**1K0 601 025 AQ - Wheel and tyre combination ⇒ page 186**

Size:	6 <sup>1</sup> / <sub>2</sub> J x 15
Wheel offset in mm:	50
Wheel load in kg:	600



**1K0 601 025 CA - Wheel and tyre combination ⇒ page 186**

Size:	6 <sup>1</sup> / <sub>2</sub> J x 15
Wheel offset in mm:	50
Wheel load in kg:	600



**25.2.3 6<sup>1</sup>/<sub>2</sub> J x 16**



**Caution**

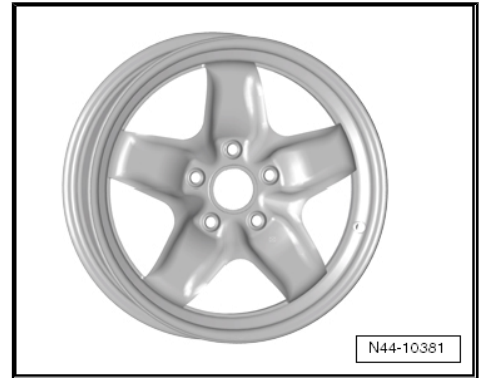
**Observe the allocation of wheels and tyres to the respective engines, which are listed in the overview table ⇒ page 186 .**





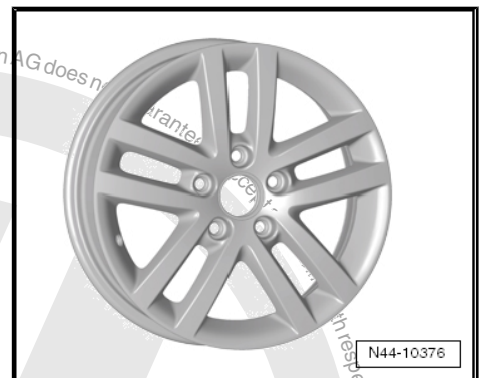
**5K0 601 027 - Wheel and tyre combination ⇒ [page 186](#)**

Size:	6 <sup>1</sup> / <sub>2</sub> J x 16
Wheel offset in mm:	50
Wheel load in kg:	615



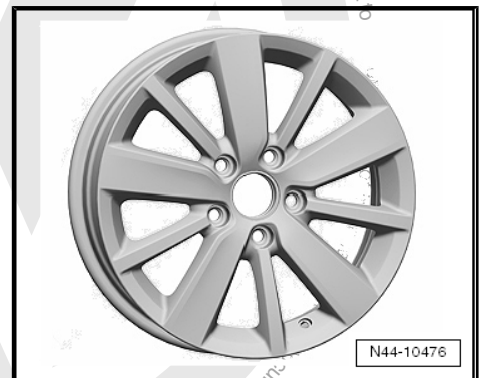
**5K0 601 025 E - Wheel and tyre combination ⇒ [page 186](#)**

Size:	6 <sup>1</sup> / <sub>2</sub> J x 16
Wheel offset in mm:	50
Wheel load in kg:	615



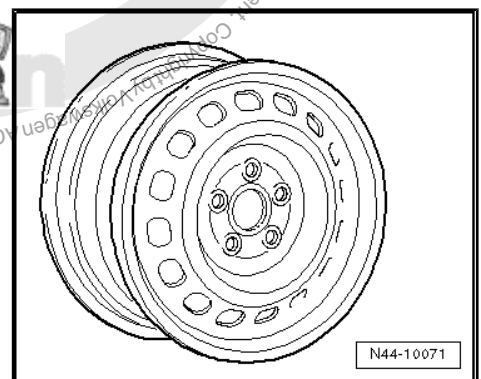
**5K0 601 025 S - Wheel and tyre combination ⇒ [page 186](#)**

Size:	6 <sup>1</sup> / <sub>2</sub> J x 16
Wheel offset in mm:	50
Wheel load in kg:	615



**1K0 601 027 A - Wheel and tyre combination ⇒ [page 186](#)**

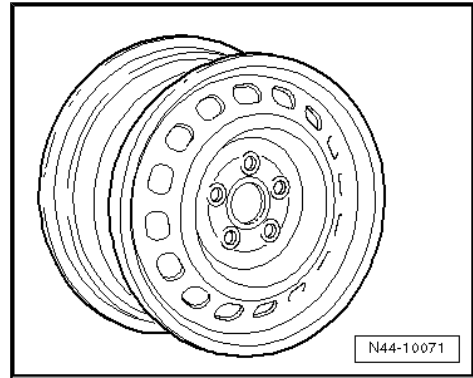
Size:	6 <sup>1</sup> / <sub>2</sub> J x 16
Wheel offset in mm:	50
Wheel load in kg:	615





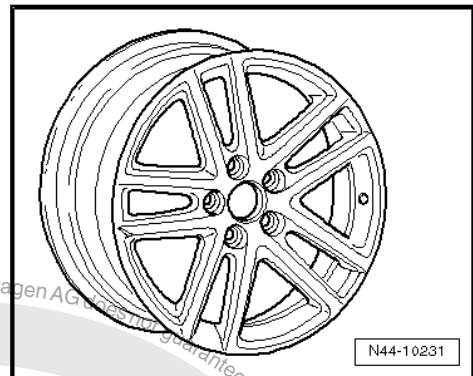
**1K0 601 027 J - Wheel and tyre combination ⇒ page 186**

Size:	6 <sup>1</sup> / <sub>2</sub> J x 16
Wheel offset in mm:	50
Wheel load in kg:	615



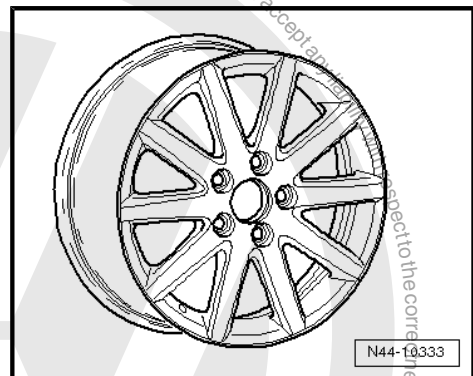
**1K0 601 025 AJ - Wheel and tyre combination ⇒ page 186**

Size:	6 <sup>1</sup> / <sub>2</sub> J x 16
Wheel offset in mm:	50
Wheel load in kg:	615



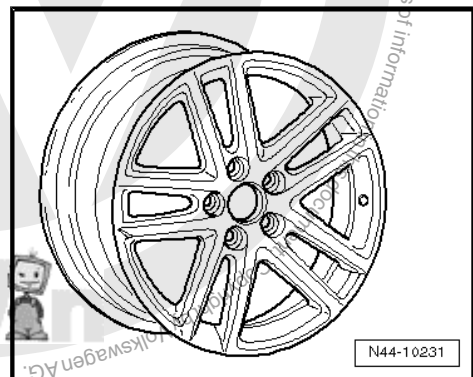
**1K0 601 025 BC - Wheel and tyre combination ⇒ page 186**

Size:	6 <sup>1</sup> / <sub>2</sub> J x 16
Wheel offset in mm:	50
Wheel load in kg:	615



**1K0 601 025 BM - Wheel and tyre combination ⇒ page 186**

Size:	6 <sup>1</sup> / <sub>2</sub> J x 16
Wheel offset in mm:	50
Wheel load in kg:	615

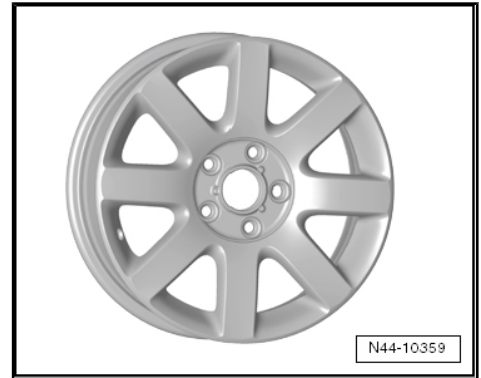






**1K0 601 025 BR - Wheel and tyre combination ⇒ page 186**

Size:	6 <sup>1</sup> / <sub>2</sub> J x 16
Wheel offset in mm:	50
Wheel load in kg:	615



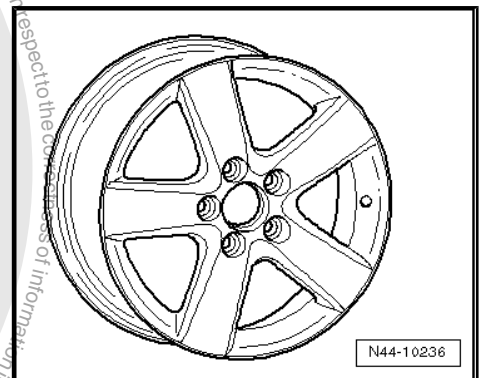
**1K0 601 025 BS - Wheel and tyre combination ⇒ page 186**

Size:	6 <sup>1</sup> / <sub>2</sub> J x 16
Wheel offset in mm:	50
Wheel load in kg:	615



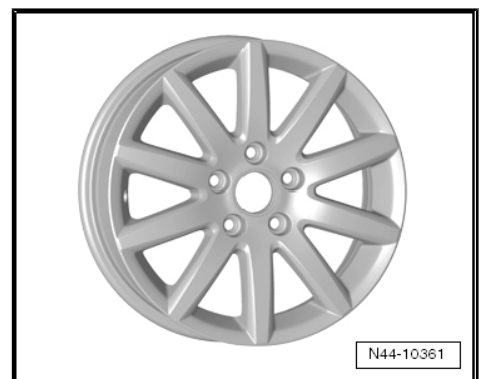
**1K0 601 025 CB - Wheel and tyre combination ⇒ page 186**

Size:	6 <sup>1</sup> / <sub>2</sub> J x 16
Wheel offset in mm:	50
Wheel load in kg:	615



**1K0 601 025 CG - Wheel and tyre combination ⇒ page 186**

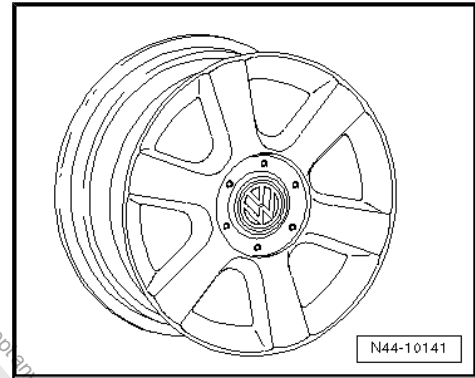
Size:	6 <sup>1</sup> / <sub>2</sub> J x 16
Wheel offset in mm:	50
Wheel load in kg:	615





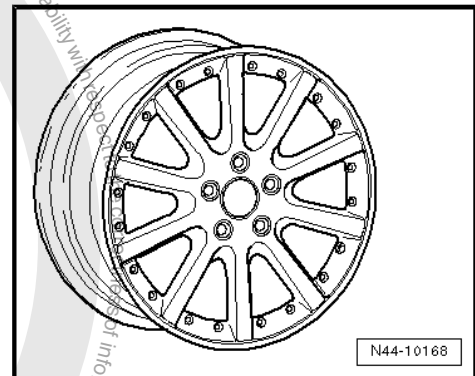
**1T0 601 025 C - Wheel and tyre combination ⇒ page 186**

Size:	6 <sup>1</sup> / <sub>2</sub> J x 16
Wheel offset in mm:	50
Wheel load in kg:	615



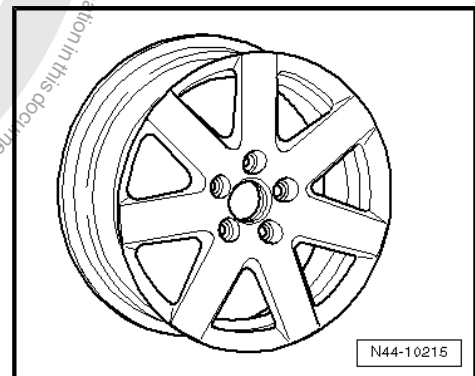
**1K0 601 025 F - Wheel and tyre combination ⇒ page 186**

Size:	6 <sup>1</sup> / <sub>2</sub> J x 16
Wheel offset in mm:	50
Wheel load in kg:	615



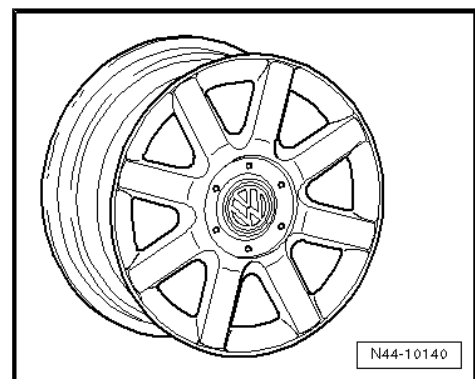
**1K0 601 025 P - Wheel and tyre combination ⇒ page 186**

Size:	6 <sup>1</sup> / <sub>2</sub> J x 16
Wheel offset in mm:	50
Wheel load in kg:	615



**1K0 601 025 R - Wheel and tyre combination ⇒ page 186**

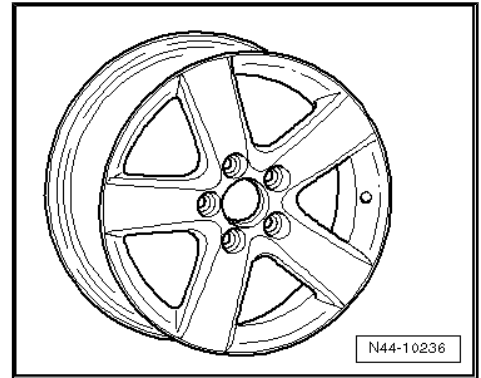
Size:	6 <sup>1</sup> / <sub>2</sub> J x 16
Wheel offset in mm:	50
Wheel load in kg:	615





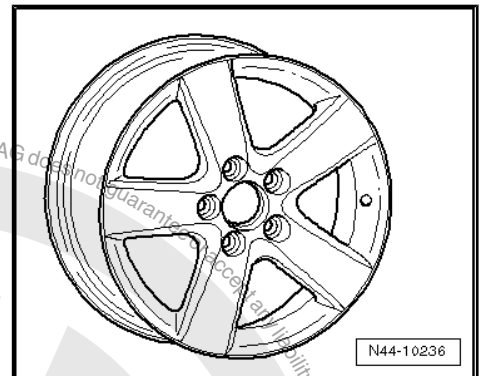
**1T0 601 025 G, 1T0 601 025 K - Wheel and tyre combination**  
 ⇒ [page 186](#)

Size:	6 <sup>1</sup> / <sub>2</sub> J x 16
Wheel offset in mm:	50
Wheel load in kg:	615



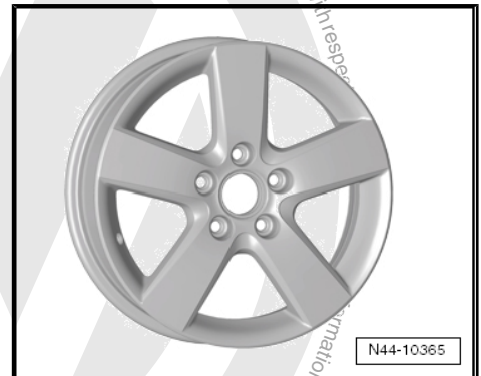
**1T0 601 025 M - Wheel and tyre combination** ⇒ [page 186](#)

Size:	6 <sup>1</sup> / <sub>2</sub> J x 16
Wheel offset in mm:	50
Wheel load in kg:	615



**1T0 601 025 R - Wheel and tyre combination** ⇒ [page 186](#)

Size:	6 <sup>1</sup> / <sub>2</sub> J x 16
Wheel offset in mm:	50
Wheel load in kg:	615



Protected by copyright. Copying for private or commercial purposes, in part or in whole, is not permitted unless authorised by Volkswagen AG. Volkswagen AG does not guarantee the accuracy of the information in this document. Copyright by Volkswagen AG.





## 26 Golf Variant from model year 2010

### General

Volkswagen vehicles are built according to the latest findings in safety engineering. To keep it that way, we recommend the use of only genuine Volkswagen spare parts. You can recognise this by the VW Audi logo and by the part number. It has been established that these parts are reliable, safe and suitable.

Despite constant appraisal of the market, we cannot assess other products on these points, even when in isolated cases they have been passed by official inspectors or have been granted official approval. Therefore, we cannot, of course, assume any liability if these products are installed.



#### WARNING

*The products from Volkswagen genuine parts and Votex genuine accessories may differ in fitting requirements, torque specifications and so on.*

*Always follow the respective fitting and operating instructions.*

The wheel and tyre combinations or changes listed in the vehicle tables refer exclusively to Volkswagen Genuine wheels. Approval of wheel and tyre combinations or a change to wheels from the accessories trade is not possible with the certificate statement attached here.



#### WARNING

*The fitting instructions and torque specifications for wheels from Votex genuine accessories may differ from those intended for wheels from Volkswagen genuine parts.*

*Therefore, always observe the torque settings for the wheel bolts as well as the respective fitting and operating instructions.*

### 26.1 Golf Variant, Golf Variant 4Motion, sales type AJ5 model year 2010 to model year 2011



#### Caution

*The Golf Variant and Golf Variant 4Motion will be listed according to the sales types and not by the type approval model codes.*

*The type approval model code and the associated type approval number are listed as follows.*



#### Caution

*Observe wheel and tyre combinations for vehicles as of type approval number: e1\*2001/116\*0328\*17 ⇒ [page 197](#).*

Golf Variant, type approval code 1KM

Appendix to certificate statement 8106803334



The certificate statement can be found on the Volkswagen ServiceNet under Accessories/Tyres, Wheels and Tyres, Wheels and Tyres Guide.

Type approval number: e1\*2001/116\*0328\*15 to e1\*2001/116\*0328\*16

Overview

Model engine output	Tyres	Tyre size	Wheel rim	Offset in mm	Snow chains	Remarks
1.6l 75 kW; 1.4l 59 kW petrol engine	Standard tyres	195/65 R 15 91T	6 J x 15 ⇒ <a href="#">page 200</a>	47	Yes	General information on: ◆ Winter tyres ⇒ <a href="#">page 14</a> ◆ Snow chains ⇒ <a href="#">page 17</a>  Tyre makes recommended by Volkswagen: ◆ Summer tyres ⇒ <a href="#">page 503</a> ◆ All-season tyres ⇒ <a href="#">page 523</a> ◆ Winter tyres ⇒ <a href="#">page 533</a>  * 225/40 R 18 92Y tyres on 7 <sup>1</sup> / <sub>2</sub> J x 18 rims with an offset of 51 are permitted only on vehicles with sports running gear and a rear axle cam- ber of -1°45' ⇒ <a href="#">page 213</a>
	Modification	195/65 R 15 91H/V	6 J x 15 ⇒ <a href="#">page 200</a>	47	Yes	
		195/65 R 15 91T/H/V	6 <sup>1</sup> / <sub>2</sub> J x 15 ⇒ <a href="#">page 201</a>	50	Yes	
		205/60 R 15 91T/H/V	6 J x 15 ⇒ <a href="#">page 200</a>	47	Yes	
		205/55 R 16 91T/H/V	6 <sup>1</sup> / <sub>2</sub> J x 16 ⇒ <a href="#">page 203</a>	50	No	
		225/45 R 17 91T/H/V	7 J x 17 ⇒ <a href="#">page 208</a>	54	No	
		225/40 R 18 92Y* ⇒ <a href="#">page 195</a>	7 <sup>1</sup> / <sub>2</sub> J x 18 ⇒ <a href="#">page 213</a>	51	No	
	Winter tyres	195/65 R 15 91Q/T/H	6 J x 15 ⇒ <a href="#">page 200</a>	47	Yes	
205/55 R 16 91Q/T/H		6 J x 16 ⇒ <a href="#">page 202</a>	50	Yes		
1.4l 90 kW petrol engine	Standard tyres	195/65 R 15 91H	6 J x 15 ⇒ <a href="#">page 200</a>	47	Yes	
	Modification	195/65 R 15 91V	6 J x 15 ⇒ <a href="#">page 200</a>	47	Yes	
		195/65 R 15 91H/V	6 <sup>1</sup> / <sub>2</sub> J x 15 ⇒ <a href="#">page 201</a>	50	Yes	



Model engine output	Tyres	Tyre size	Wheel rim	Off-set in mm	Snow chains	Remarks
		205/60 R 15 91H/V	6 J x 15 ⇒ <a href="#">page 200</a>	47	Yes	<p>* 225/40 R 18 92Y tyres on 7<sup>1</sup>/<sub>2</sub> J x 18 rims with an offset of 51 are permitted only on vehicles with sports running gear and a rear axle camber of -1°45'! ⇒ <a href="#">page 213</a></p>
		205/55 R 16 91H/V/W	6 <sup>1</sup> / <sub>2</sub> J x 16 ⇒ <a href="#">page 203</a>	50	No	
		225/45 R 17 91H/V/W	7 J x 17 ⇒ <a href="#">page 208</a>	54	No	
		225/40 R 18 92Y* ⇒ <a href="#">page 196</a>	7 <sup>1</sup> / <sub>2</sub> J x 18 ⇒ <a href="#">page 213</a>	51	No	
	Winter tyres	195/65 R 15 91Q/T/H	6 J x 15 ⇒ <a href="#">page 200</a>	47	Yes	
		205/55 R 16 91Q/T/H	6 J x 16 ⇒ <a href="#">page 202</a>	50	Yes	
2.0 l 100 kW TDI; 2.0 l 103 kW TDI; diesel engine	Standard tyres	205/55 R 16 91H/V/W	6 <sup>1</sup> / <sub>2</sub> J x 16 ⇒ <a href="#">page 203</a>	50	No	<p>* 225/40 R 18 92Y tyres on 7<sup>1</sup>/<sub>2</sub> J x 18 rims with an offset of 51 are permitted only on vehicles with sports running gear and a rear axle camber of -1°45'! ⇒ <a href="#">page 213</a></p>
	Modification	225/45 R 17 91H/V/W	7 J x 17 ⇒ <a href="#">page 208</a>	54	No	
		225/40 R 18 92Y* ⇒ <a href="#">page 196</a>	7 <sup>1</sup> / <sub>2</sub> J x 18 ⇒ <a href="#">page 213</a>	51	No	
	Winter tyres	205/55 R 16 91Q/T/H	6 J x 16 ⇒ <a href="#">page 202</a>	50	Yes	
1.4 l 118 kW; petrol engine	Standard tyres	205/55 R 16 91V	6 <sup>1</sup> / <sub>2</sub> J x 16 ⇒ <a href="#">page 203</a>	50	No	<p>* 225/40 R 18 92Y tyres on 7<sup>1</sup>/<sub>2</sub> J x 18 rims with an offset of 51 are permitted only on vehicles with sports running gear and a rear axle camber of -1°45'! ⇒ <a href="#">page 213</a></p>
	Modification	225/45 R 17 91V/W	7 J x 17 ⇒ <a href="#">page 208</a>	54	No	
		225/40 R 18 92Y* ⇒ <a href="#">page 196</a>	7 <sup>1</sup> / <sub>2</sub> J x 18 ⇒ <a href="#">page 213</a>	51	No	



Model engine output	Tyres	Tyre size	Wheel rim	Off-set in mm	Snow chains	Remarks
	Winter tyres	205/55 R 16 91Q/T/H	6 J x 16 ⇒ <a href="#">page 202</a>	50	Yes	

Tyre inflation pressures are located on a sticker in fuel tank flap or in ⇒ Maintenance ; Booklet ; Check tyres: condition, profile, inflation pressure, depth of tread .

### Golf Variant, Golf Variant 4Motion, type approval code 1KM

Appendix to certificate statement 8106803334

The certificate statement can be found on the Volkswagen ServiceNet under Accessories/Tyres, Wheels and Tyres, Wheels and Tyres Guide.

Type Approval No.: e1\*2001/116\*0328\*17 to e1\*2001/116\*0328\*18

### Overview

Model engine output	Tyres	Tyre size	Wheel rim	Off-set in mm	Snow chains	Remarks
1.2   63 kW; 1.2   77 kW; 1.6   75 kW 1.4   59 kW petrol engines	Standard tyres	195/65 R 15 91T	6 J x 15 ⇒ <a href="#">page 200</a>	47	Yes	General information on: ◆ Winter tyres ⇒ <a href="#">page 14</a> ◆ Snow chains ⇒ <a href="#">page 17</a>
1.6   77 kW TDI diesel engine with front-wheel drive		195/65 R 15 91T/H/V	6 <sup>1</sup> / <sub>2</sub> J x 15 ⇒ <a href="#">page 201</a>	50	Yes	◆ Summer tyres ⇒ <a href="#">page 503</a> ◆ All-season tyres ⇒ <a href="#">page 523</a> ◆ Winter tyres ⇒ <a href="#">page 533</a>
		205/60 R 15 91T/H/V	6 J x 15 ⇒ <a href="#">page 200</a>	47	Yes	
		205/55 R 16 91T/H/V	6 <sup>1</sup> / <sub>2</sub> J x 16 ⇒ <a href="#">page 203</a>	50	No	
		225/45 R 17 91T/H/V	7 J x 17 ⇒ <a href="#">page 208</a>	54	No	
		225/45 R 17 91T/H/V/ W * ⇒ <a href="#">page 197</a>	7 <sup>1</sup> / <sub>2</sub> J x 17 ⇒ <a href="#">page 212</a>	51	No	



Model engine output	Tyres	Tyre size	Wheel rim	Off-set in mm	Snow chains	Remarks
		225/40 R 18 92Y** ⇒ <a href="#">page 198</a>	7 1/2 J x 18 ⇒ <a href="#">page 213</a>	51	No	** 225/40 R 18 92Y tyres on 7 1/2 J x 18 rims with an offset of 51 are permitted only on vehicles with sports running gear and a rear axle camber of -1°45'! ⇒ <a href="#">page 213</a>
	Winter tyres	195/65 R 15 91Q/T/H	6 J x 15 ⇒ <a href="#">page 200</a>	47	Yes	
		205/55 R 16 91Q/T/H	6 J x 16 ⇒ <a href="#">page 202</a>	50	Yes	
1.6 l 77 kW TDI diesel engine with four-wheel drive	Standard tyres	205/55 R 16 91T/H/V	6 1/2 J x 16 ⇒ <a href="#">page 203</a>	50	No	
	Modification	225/45 R 17 91T/H/V	7 J x 17 ⇒ <a href="#">page 208</a>	54	No	
		225/45 R 17 91T/H/V/W * ⇒ <a href="#">page 198</a>	7 1/2 J x 17 ⇒ <a href="#">page 212</a>	51	No	* 225/45 R 17 91T/H/V/W tyres on 7 1/2 J x 17 rims with an offset of 51 are permitted only on vehicles with sports running gear!
		225/40 R 18 92Y** ⇒ <a href="#">page 198</a>	7 1/2 J x 18 ⇒ <a href="#">page 213</a>	51	No	** 225/40 R 18 92Y tyres on 7 1/2 J x 18 rims with an offset of 51 are permitted only on vehicles with sports running gear and a rear axle camber of -1°45'! ⇒ <a href="#">page 213</a>
	Winter tyres	205/55 R 16 91Q/T/H	6 J x 16 ⇒ <a href="#">page 202</a>	50	Yes	
1.4l 90 kW petrol engine	Standard tyres	195/65 R 15 91H	6 J x 15 ⇒ <a href="#">page 200</a>	47	Yes	
	Modification	195/65 R 15 91V	6 J x 15 ⇒ <a href="#">page 200</a>	47	Yes	
		195/65 R 15 91H/V	6 1/2 J x 15 ⇒ <a href="#">page 201</a>	50	Yes	
		205/60 R 15 91H/V	6 J x 15 ⇒ <a href="#">page 200</a>	47	Yes	
		205/55 R 16 91H/V/W	6 1/2 J x 16 ⇒ <a href="#">page 203</a>	50	No	





Model engine output	Tyres	Tyre size	Wheel rim	Off-set in mm	Snow chains	Remarks
		205/50 R 17 93H/V/W	6 J x 17 ⇒ <a href="#">page 208</a>	48.5	Yes* ⇒ <a href="#">page 199</a>	* Only snow chains with fine links of no more than 8 mm may be used ⇒ Electronic Parts Catalogue „ETKA - Accessories Catalogue“ .
		225/45 R 17 91H/V/W	7 J x 17 ⇒ <a href="#">page 208</a>	54	No	
		225/45 R 17 91H/V/W** ⇒ <a href="#">page 199</a>	7 <sup>1</sup> / <sub>2</sub> J x 17 ⇒ <a href="#">page 212</a>	51	No	
		225/40 R 18 92Y*** ⇒ <a href="#">page 199</a>	7 <sup>1</sup> / <sub>2</sub> J x 18 ⇒ <a href="#">page 213</a>	51	No	*** 225/40 R 18 92Y tyres on 7 <sup>1</sup> / <sub>2</sub> J x 18 rims with an offset of 51 are permitted only on vehicles with sports running gear and a rear axle camber of -1°45'! ⇒ <a href="#">page 213</a>
	Winter tyres	195/65 R 15 91Q/T/H	6 J x 15 ⇒ <a href="#">page 200</a>	47	Yes	
		205/55 R 16 91Q/T/H	6 J x 16 ⇒ <a href="#">page 202</a>	50	Yes	
2.0 l 100 kW TDI; 2.0 l 103 kW TDI; diesel engine	Standard tyres	205/55 R 16 91H/V/W	6 <sup>1</sup> / <sub>2</sub> J x 16 ⇒ <a href="#">page 203</a>	50	No	
	Modification	225/45 R 17 91H/V/W	7 J x 17 ⇒ <a href="#">page 208</a>	54	No	
		225/45 R 17 91H/V/W* ⇒ <a href="#">page 199</a>	7 <sup>1</sup> / <sub>2</sub> J x 17 ⇒ <a href="#">page 212</a>	51	No	* 225/45 R 17 91T/H/V/W tyres on 7 <sup>1</sup> / <sub>2</sub> J x 17 rims with an offset of 51 are permitted only on vehicles with sports running gear!
		225/40 R 18 92Y** ⇒ <a href="#">page 199</a>	7 <sup>1</sup> / <sub>2</sub> J x 18 ⇒ <a href="#">page 213</a>	51	No	** 225/40 R 18 92Y tyres on 7 <sup>1</sup> / <sub>2</sub> J x 18 rims with an offset of 51 are permitted only on vehicles with sports running gear and a rear axle camber of -1°45'! ⇒ <a href="#">page 213</a>
	Winter tyres	205/55 R 16 91Q/T/H	6 J x 16 ⇒ <a href="#">page 202</a>	50	Yes	



Model engine output	Tyres	Tyre size	Wheel rim	Off-set in mm	Snow chains	Remarks
1.4 l 118 kW; petrol engine	Standard tyres	205/55 R 16 91V	6 <sup>1</sup> / <sub>2</sub> J x 16 ⇒ <a href="#">page 203</a>	50	No	
	Modification	205/50 R 17 93V/W	6 J x 17 ⇒ <a href="#">page 208</a>	48.5	Yes* ⇒ <a href="#">page 199</a>	
		225/45 R 17 91V/W	7 J x 17 ⇒ <a href="#">page 208</a>	54	No	
		225/45 R 17 91V/W * ⇒ <a href="#">page 200</a>	7 <sup>1</sup> / <sub>2</sub> J x 17 ⇒ <a href="#">page 212</a>	51	No	* 225/45 R 17 91V/W/H/V/W tyres on 7 <sup>1</sup> / <sub>2</sub> J x 17 rims with an offset of 51 are permitted only on vehicles with sports running gear!
		225/40 R 18 92Y** ⇒ <a href="#">page 200</a>	7 <sup>1</sup> / <sub>2</sub> J x 18 ⇒ <a href="#">page 213</a>	51	No	** 225/40 R 18 92Y tyres on 7 <sup>1</sup> / <sub>2</sub> J x 18 rims with an offset of 51 are permitted only on vehicles with sports running gear and a rear axle camber of -1°45'! ⇒ <a href="#">page 213</a>
	Winter tyres	205/55 R 16 91Q/T/H	6 J x 16 ⇒ <a href="#">page 202</a>	50	Yes	

Tyre inflation pressures are located on a sticker in fuel tank flap or in ⇒ Maintenance ; Booklet ; Check tyres: condition, profile, inflation pressure, depth of tread .

## 26.2 Wheel allocation for Golf Variant, Golf Variant 4Motion, sales type AJ5 model year 2010 to model year 2011

Explanation of information on wheels ⇒ [page 58](#)

Torque settings for wheel bolts ⇒ Running gear, axles, steering;  
Rep. gr. 44 ; Torque settings for fitting wheels

Pitch circle diameter: 112 mm

Number of wheel bolt holes: 5

### 26.2.1 6 J x 15



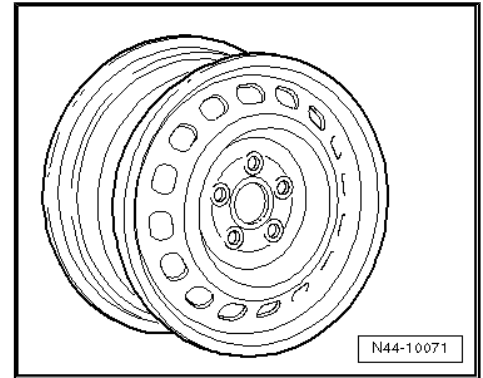
#### Caution

*Observe the allocation of wheels and tyres to the respective engines, which are listed in the overview table ⇒ [page 195](#) .*



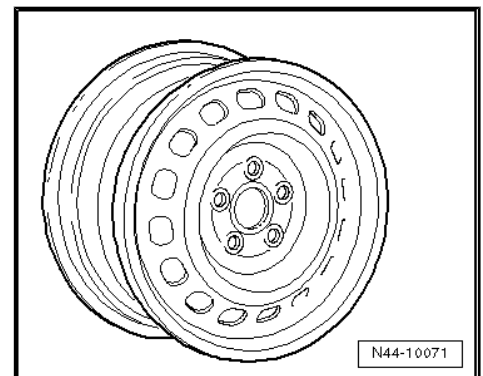
**1K0 601 027 C, 1K0 601 027 H - Wheel and tyre combination**  
⇒ [page 195](#)

Size:	6 J x 15
Wheel offset in mm:	47
Wheel load in kg:	615



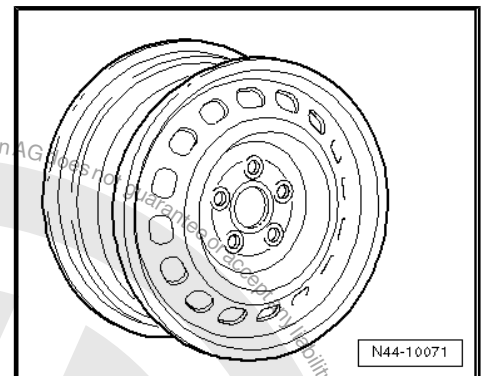
**1K0 601,027 T - Wheel and tyre combination** ⇒ [page 195](#)

Size:	6 J x 15
Wheel offset in mm:	47
Wheel load in kg:	615



**2K0 601 027 - Wheel and tyre combination** ⇒ [page 195](#)

Size:	6 J x 15
Wheel offset in mm:	47
Wheel load in kg:	650

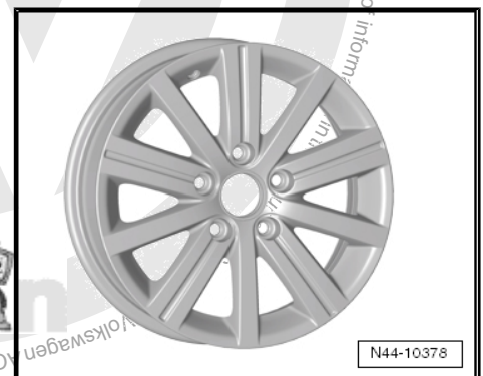


**26.2.2 6<sup>1</sup>/<sub>2</sub> J x 15**

	<b>Caution</b>
<i>Observe the allocation of wheels and tyres to the respective engines, which are listed in the overview table ⇒ <a href="#">page 195</a> .</i>	

**5k0 601 025 J - Wheel and tyre combination** ⇒ [page 195](#)

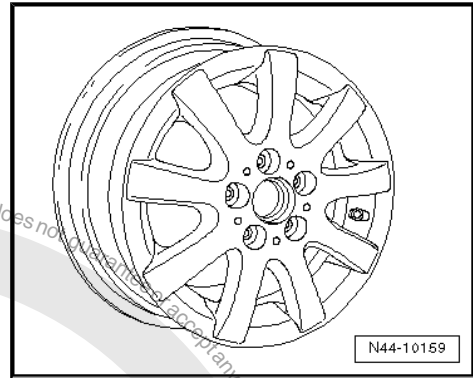
Size:	6 <sup>1</sup> / <sub>2</sub> J x 15
Wheel offset in mm:	50
Wheel load in kg:	600





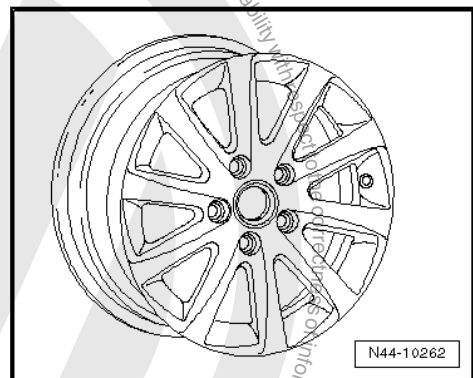
**1K0 601,025 A - Wheel and tyre combination ⇒ page 195**

Size:	6 <sup>1</sup> / <sub>2</sub> J x 15
Wheel offset in mm:	50
Wheel load in kg:	600



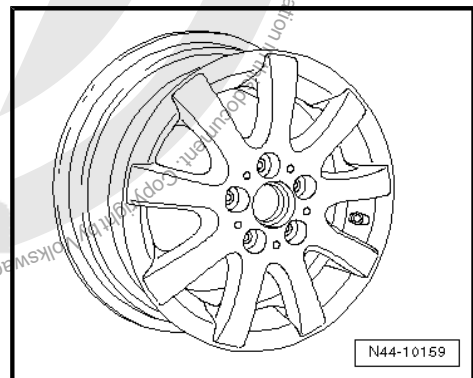
**1K0 601 025 AK - Wheel and tyre combination ⇒ page 195**

Size:	6 <sup>1</sup> / <sub>2</sub> J x 15
Wheel offset in mm:	50
Wheel load in kg:	600



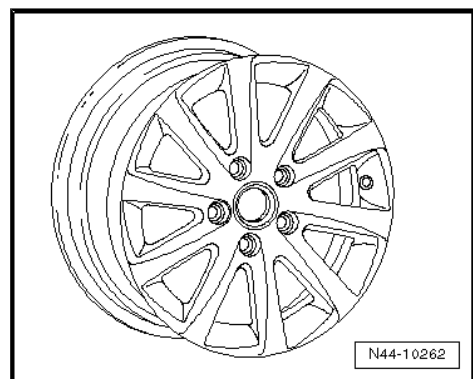
**1K0 601 025 AQ - Wheel and tyre combination ⇒ page 195**

Size:	6 <sup>1</sup> / <sub>2</sub> J x 15
Wheel offset in mm:	50
Wheel load in kg:	600



**1K0 601 025 CA - Wheel and tyre combination ⇒ page 195**

Size:	6 <sup>1</sup> / <sub>2</sub> J x 15
Wheel offset in mm:	50
Wheel load in kg:	600



**26.2.3 6 J x 16**



**Caution**

*Observe the allocation of wheels and tyres to the respective engines, which are listed in the overview table ⇒ page 195.*



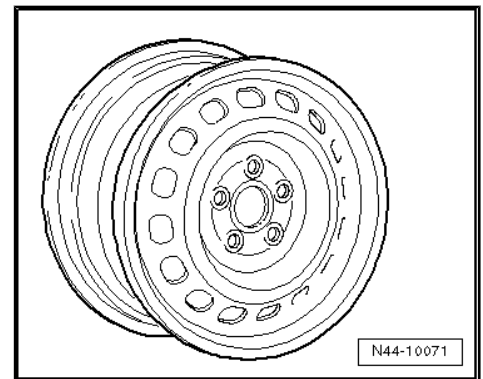
### Winter wheels

#### 8P0 601 027 - Wheel and tyre combination ⇒ page 195

Size:	6 J x 16
Wheel offset in mm:	50
Wheel load in kg:	600

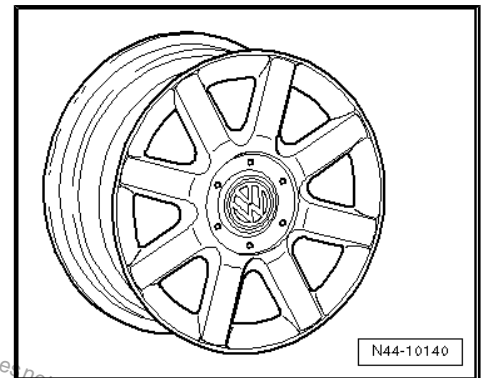
Use the following wheel bolt caps for wheel bolts:

- ◆ 1K0.601.173 (4 per wheel)
- ◆ 1K0.601.173.A (1 per wheel)



#### 1K0 601 025 Q - Wheel and tyre combination ⇒ page 195

Size:	6 J x 16 EH2 ⇒ page 58
Wheel offset in mm:	50
Wheel load in kg:	615



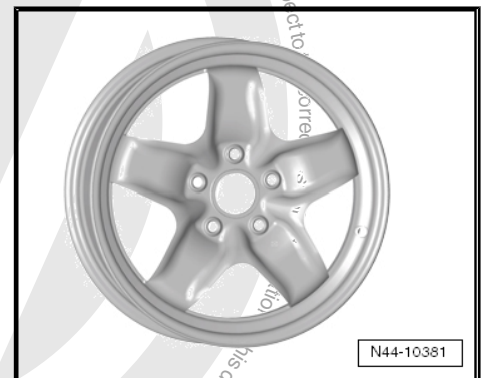
### 26.2.4 6<sup>1</sup>/<sub>2</sub> J x 16

**Caution**

*Observe the allocation of wheels and tyres to the respective engines, which are listed in the overview table ⇒ page 195.*

#### 5K0 601 027 - Wheel and tyre combination ⇒ page 195

Size:	6 <sup>1</sup> / <sub>2</sub> J x 16
Wheel offset in mm:	50
Wheel load in kg:	615





**5K0 601 025 E - Wheel and tyre combination ⇒ page 195**

Size:	6 <sup>1</sup> / <sub>2</sub> J x 16
Wheel offset in mm:	50
Wheel load in kg:	615



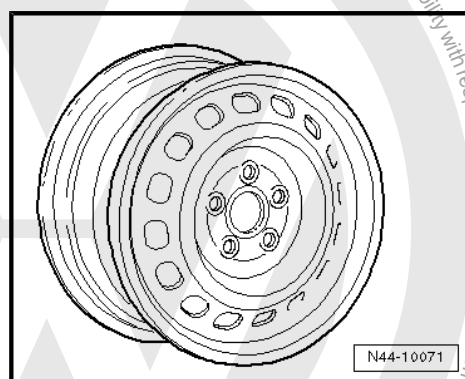
**5K0 601 025 S - Wheel and tyre combination ⇒ page 195**

Size:	6 <sup>1</sup> / <sub>2</sub> J x 16
Wheel offset in mm:	50
Wheel load in kg:	615



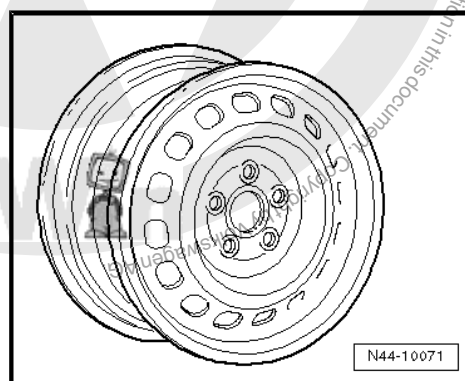
**1K0 601 027 A, 1K0 601 027 AK - Wheel and tyre combination ⇒ page 195**

Size:	6 <sup>1</sup> / <sub>2</sub> J x 16
Wheel offset in mm:	50
Wheel load in kg:	615



**1K0 601 027 J - Wheel and tyre combination ⇒ page 195**

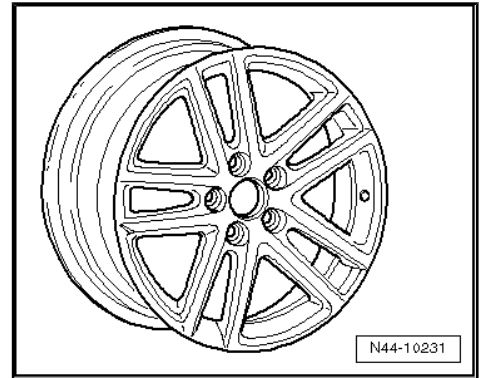
Size:	6 <sup>1</sup> / <sub>2</sub> J x 16
Wheel offset in mm:	50
Wheel load in kg:	615





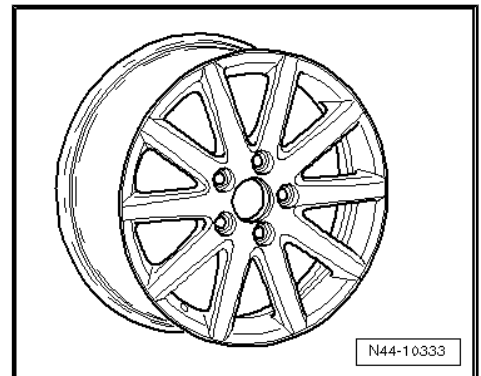
**1K0 601 025 AJ - Wheel and tyre combination ⇒ page 195**

Size:	6 <sup>1</sup> / <sub>2</sub> J x 16
Wheel offset in mm:	50
Wheel load in kg:	615



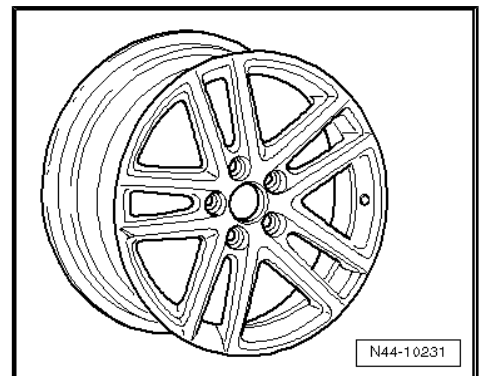
**1K0 601 025 BC - Wheel and tyre combination ⇒ page 195**

Size:	6 <sup>1</sup> / <sub>2</sub> J x 16
Wheel offset in mm:	50
Wheel load in kg:	615



**1K0 601 025 BM - Wheel and tyre combination ⇒ page 195**

Size:	6 <sup>1</sup> / <sub>2</sub> J x 16
Wheel offset in mm:	50
Wheel load in kg:	615



**1K0 601 025 BR - Wheel and tyre combination ⇒ page 195**

Size:	6 <sup>1</sup> / <sub>2</sub> J x 16
Wheel offset in mm:	50
Wheel load in kg:	615



Protected by copyright. Copying for private or commercial purposes, in part or in whole, is not permitted unless authorised by Volkswagen AG. Volkswagen AG does not guarantee or accept any liability with respect to the correctness of information in this document. Copyright by Volkswagen AG.



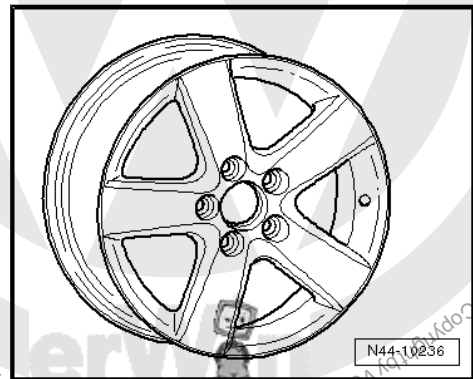
**1K0 601 025 BS, 1K0 601 025 CH - Wheel and tyre combination**  
⇒ [page 195](#)

Size:	6 <sup>1</sup> / <sub>2</sub> J x 16
Wheel offset in mm:	50
Wheel load in kg:	615



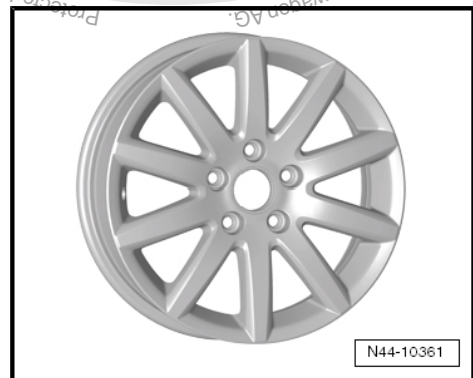
**1K0 601 025 CB - Wheel and tyre combination** ⇒ [page 195](#)

Size:	6 <sup>1</sup> / <sub>2</sub> J x 16
Wheel offset in mm:	50
Wheel load in kg:	615



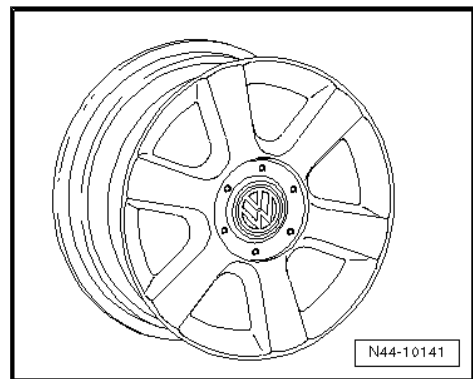
**1K0 601 025 CG - Wheel and tyre combination** ⇒ [page 195](#)

Size:	6 <sup>1</sup> / <sub>2</sub> J x 16
Wheel offset in mm:	50
Wheel load in kg:	615



**1T0 601 025 C - Wheel and tyre combination** ⇒ [page 195](#)

Size:	6 <sup>1</sup> / <sub>2</sub> J x 16
Wheel offset in mm:	50
Wheel load in kg:	615

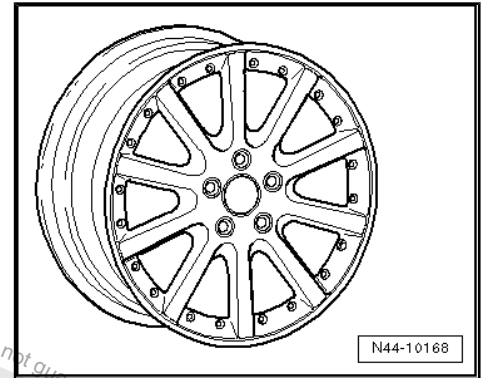






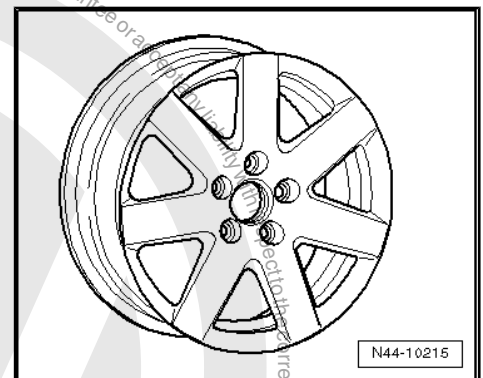
**1K0 601 025 F - Wheel and tyre combination ⇒ page 195**

Size:	6 <sup>1</sup> / <sub>2</sub> J x 16
Wheel offset in mm:	50
Wheel load in kg:	615



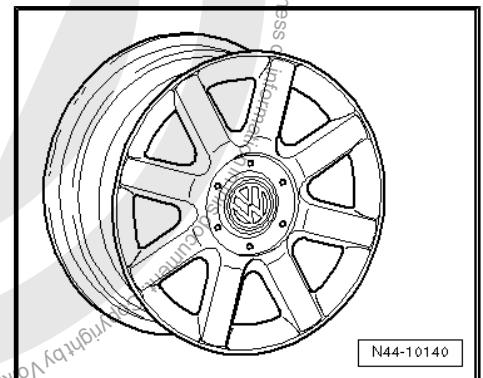
**1K0 601 025 P - Wheel and tyre combination ⇒ page 195**

Size:	6 <sup>1</sup> / <sub>2</sub> J x 16
Wheel offset in mm:	50
Wheel load in kg:	615



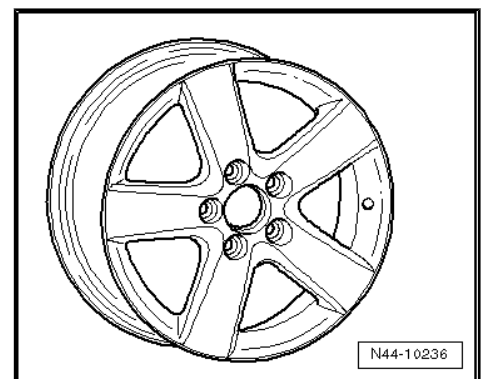
**1K0 601 025 R - Wheel and tyre combination ⇒ page 195**

Size:	6 <sup>1</sup> / <sub>2</sub> J x 16
Wheel offset in mm:	50
Wheel load in kg:	615



**1T0 601 025 G, 1T0 601 025 K - Wheel and tyre combination ⇒ page 195**

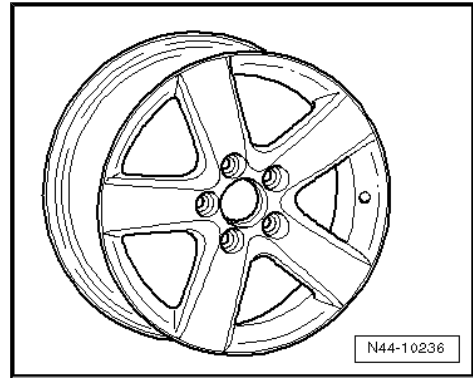
Size:	6 <sup>1</sup> / <sub>2</sub> J x 16
Wheel offset in mm:	50
Wheel load in kg:	615





**1T0 601 025 M - Wheel and tyre combination ⇒ page 195**

Size:	6 <sup>1</sup> / <sub>2</sub> J x 16
Wheel offset in mm:	50
Wheel load in kg:	615



**1T0 601 025 R - Wheel and tyre combination ⇒ page 195**

Size:	6 <sup>1</sup> / <sub>2</sub> J x 16
Wheel offset in mm:	50
Wheel load in kg:	615



**26.2.5 6 J x 17**

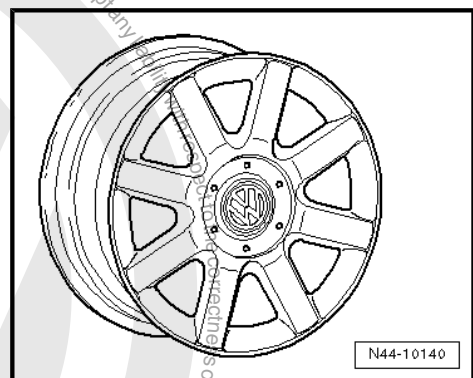


**Caution**

*Observe the allocation of wheels and tyres to the respective engines, which are listed in the overview table ⇒ page 195 .*

**1K0 601 025 N - Wheel and tyre combination ⇒ page 199**

Size:	6 J x 17
Wheel offset in mm:	48.5
Wheel load in kg:	615



**26.2.6 7 J x 17**



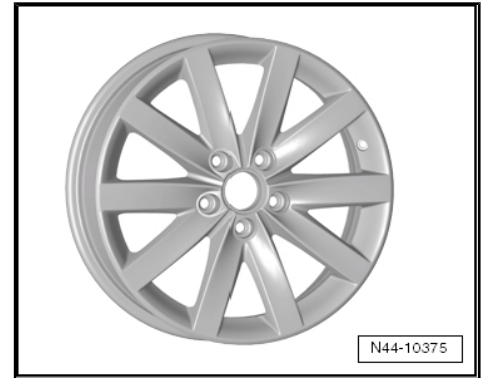
**Caution**

*Observe the allocation of wheels and tyres to the respective engines, which are listed in the overview table ⇒ page 195 .*



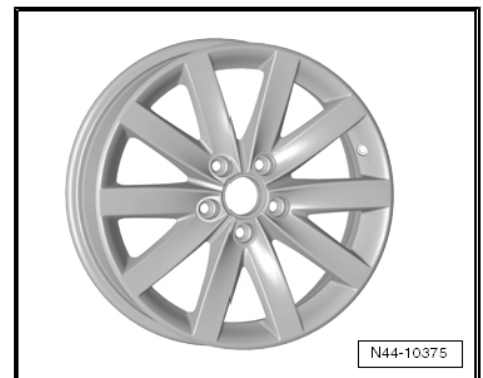
**5K0 601 025 D - Wheel and tyre combination ⇒ [page 195](#)**

Size:	7 J x 17
Wheel offset in mm:	54
Wheel load in kg:	615



**5K0 601 025 F - Wheel and tyre combination ⇒ [page 195](#)**

Size:	7 J x 17
Wheel offset in mm:	54
Wheel load in kg:	615



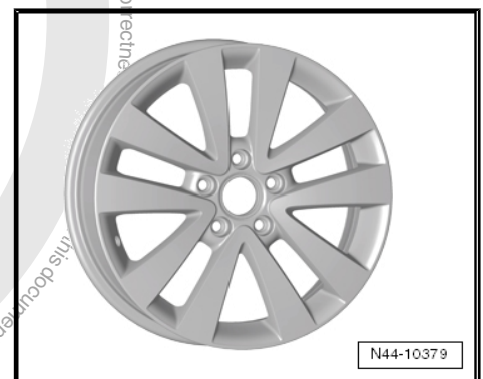
**5K0 601 025 K - Wheel and tyre combination ⇒ [page 195](#)**

Size:	7 J x 17
Wheel offset in mm:	54
Wheel load in kg:	615



**5K0 601 025 Q, 5K0 601 025 R - Wheel and tyre combination  
 ⇒ [page 195](#)**

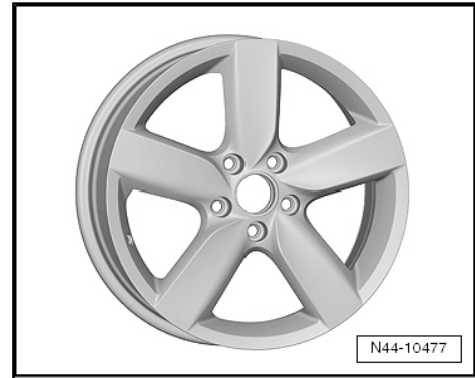
Size:	7 J x 17
Wheel offset in mm:	54
Wheel load in kg:	615





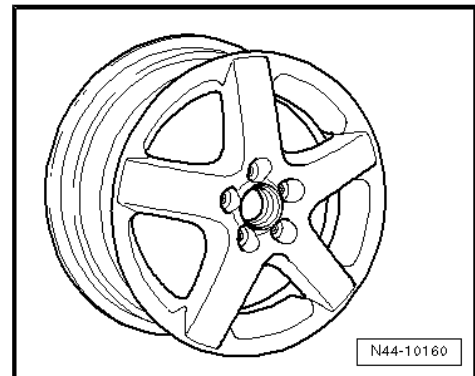
**5K0 601 025 AA - Wheel and tyre combination ⇒ page 195**

Size:	7 J x 17
Wheel offset in mm:	54
Wheel load in kg:	615



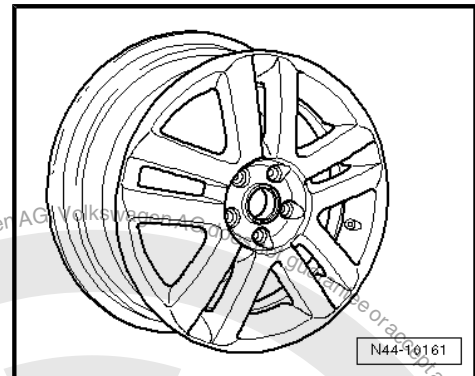
**1K0 601 025 B - Wheel and tyre combination ⇒ page 195**

Size:	7 J x 17
Wheel offset in mm:	54
Wheel load in kg:	615



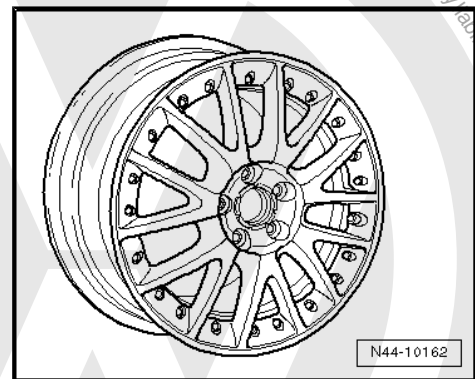
**1K0 601,025 C - Wheel and tyre combination ⇒ page 195**

Size:	7 J x 17
Wheel offset in mm:	54
Wheel load in kg:	615



**1K0 601 025 J - Wheel and tyre combination ⇒ page 195**

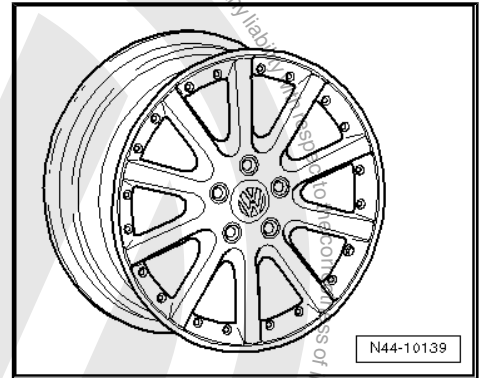
Size:	7 J x 17
Wheel offset in mm:	54
Wheel load in kg:	615





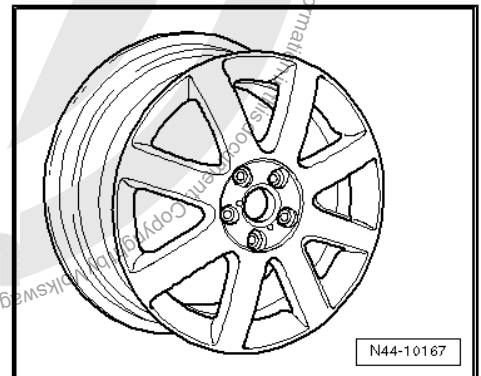
**1K0 601 025 K - Wheel and tyre combination ⇒ page 195**

Size:	7 J x 17
Wheel offset in mm:	54
Wheel load in kg:	615



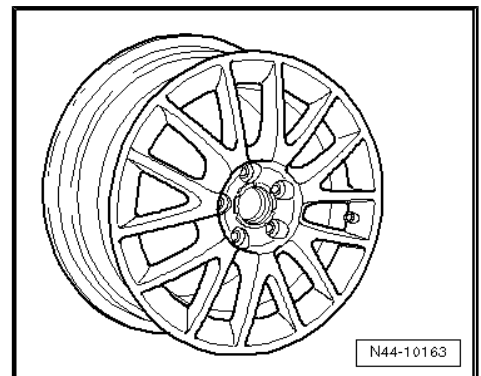
**1K0 601 025 M - Wheel and tyre combination ⇒ page 195**

Size:	7 J x 17
Wheel offset in mm:	54
Wheel load in kg:	615



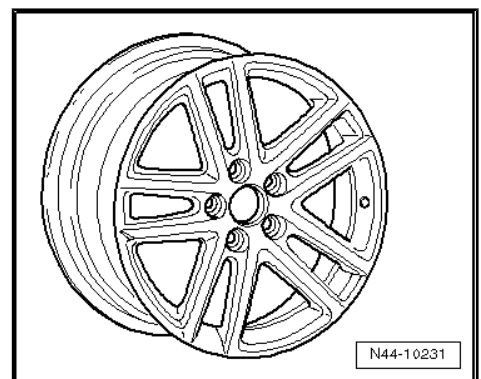
**1K0 601 025 T - Wheel and tyre combination ⇒ page 195**

Size:	7 J x 17
Wheel offset in mm:	54
Wheel load in kg:	615



**1K0 601 025 AF - Wheel and tyre combination ⇒ page 195**

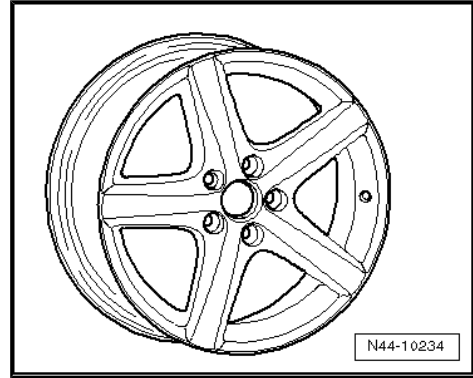
Size:	7 J x 17
Wheel offset in mm:	54
Wheel load in kg:	630





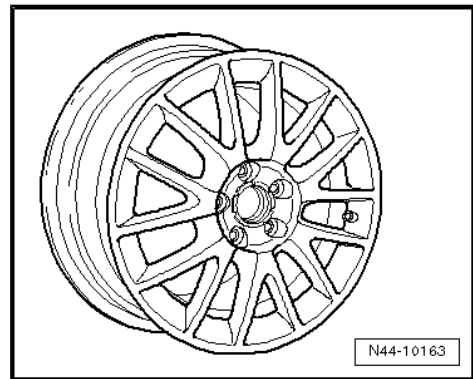
**1K0 601 025 AE - Wheel and tyre combination ⇒ page 195**

Size:	7 J x 17
Wheel offset in mm:	54
Wheel load in kg:	630



**1K0 601 025 AN - Wheel and tyre combination ⇒ page 195**

Size:	7 J x 17
Wheel offset in mm:	54
Wheel load in kg:	615



**26.2.7 7 1/2 J x 17**



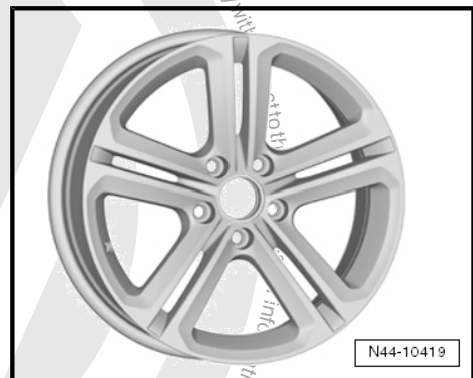
**Caution**

*Observe the allocation of wheels and tyres to the respective engines, which are listed in the overview table ⇒ page 195 .*

**5K0 601 025 N - Wheel and tyre combination ⇒ page 197**

**Only vehicles with sports running gear**

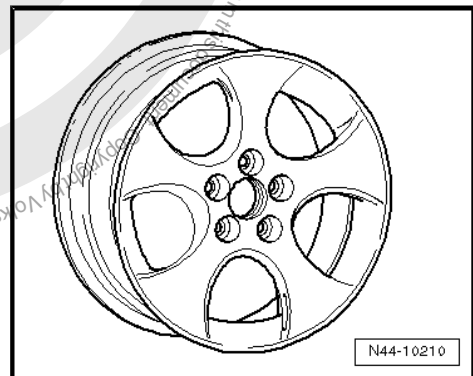
Size:	7 1/2 J x 17
Wheel offset in mm:	51
Wheel load in kg:	630



**1K0 601 025 BB - Wheel and tyre combination ⇒ page 197**

**Only vehicles with sports running gear**

Size:	7 1/2 J x 17
Wheel offset in mm:	51
Wheel load in kg:	615

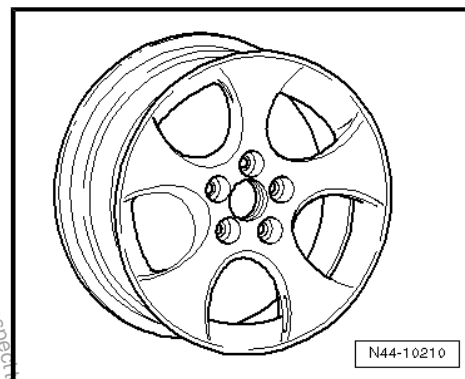




**1K0 601 025 AC - Wheel and tyre combination ⇒ page 197**

Only vehicles with sports running gear

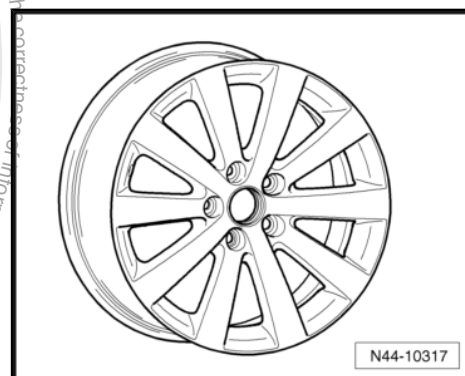
Size:	7 <sup>1</sup> / <sub>2</sub> J x 17
Wheel offset in mm:	51
Wheel load in kg:	615



**1K0 601 025 BK - Wheel and tyre combination ⇒ page 197**

Only vehicles with sports running gear

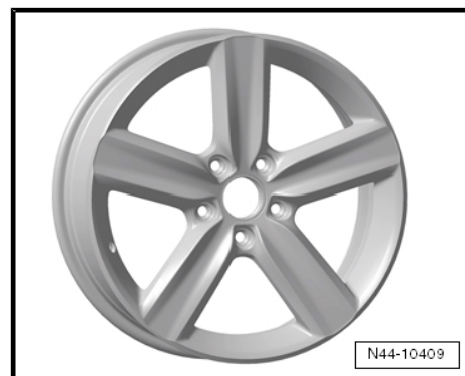
Size:	7 <sup>1</sup> / <sub>2</sub> J x 17
Wheel offset in mm:	51
Wheel load in kg:	615



**5K0 601 025 G - Wheel and tyre combination ⇒ page 197**

Only vehicles with sports running gear

Size:	7 <sup>1</sup> / <sub>2</sub> J x 17
Wheel offset in mm:	51
Wheel load in kg:	630



**26.2.8 7<sup>1</sup>/<sub>2</sub> J x 18**

**⚠ Caution**  
*Observe the allocation of wheels and tyres to the respective engines, which are listed in the overview table ⇒ page 195 .*

**⚠ Caution**  
*7<sup>1</sup>/<sub>2</sub> J x 18 wheels can only be fitted under the following conditions:*

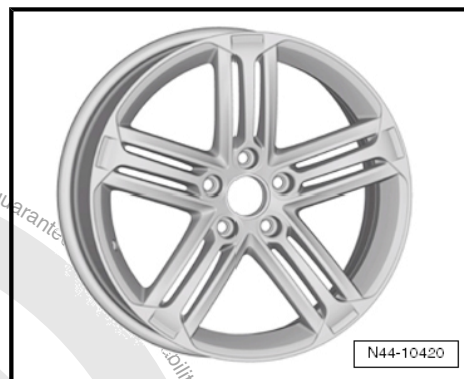
- *Additional wheel housing extensions (FLAPS) ⇒ page 4 have to be fitted on the rear axle ⇒ Electronic replacement parts catalogue „ETKA“ .*



**5K0 601 025 H - Wheel and tyre combination ⇒ [page 195](#)**

Only for vehicles with sports running gear and rear axle camber of  $-1^{\circ}45'$

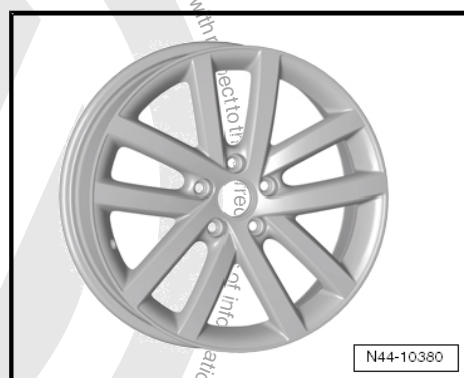
Size:	7 $\frac{1}{2}$ J x 18
Wheel offset in mm:	51
Wheel load in kg:	630



**5K0 601 025 L - Wheel and tyre combination ⇒ [page 195](#)**

Only for vehicles with sports running gear and rear axle camber of  $-1^{\circ}45'$

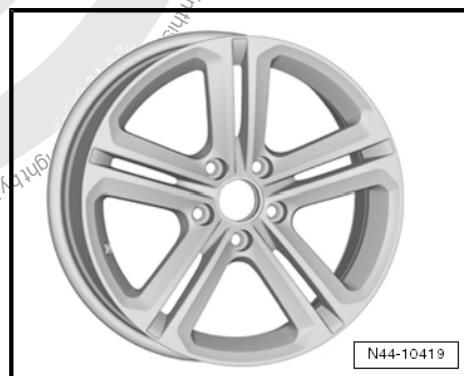
Size:	7 $\frac{1}{2}$ J x 18
Wheel offset in mm:	51
Wheel load in kg:	615



**5K0 601 025 P - Wheel and tyre combination ⇒ [page 195](#)**

Only for vehicles with sports running gear and rear axle camber of  $-1^{\circ}45'$

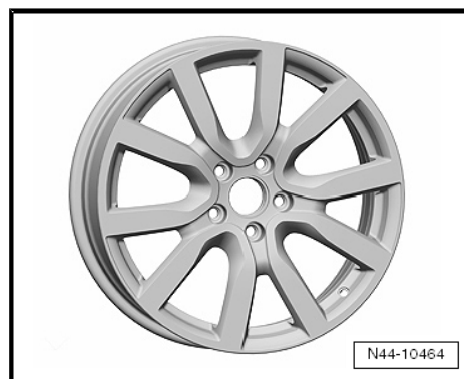
Size:	7 $\frac{1}{2}$ J x 18
Wheel offset in mm:	51
Wheel load in kg:	630



**5K0 601 025 AC - Wheel and tyre combination ⇒ [page 195](#)**

Only for vehicles with sports running gear and rear axle camber of  $-1^{\circ}45'$

Size:	7 $\frac{1}{2}$ J x 18
Wheel offset in mm:	51
Wheel load in kg:	630



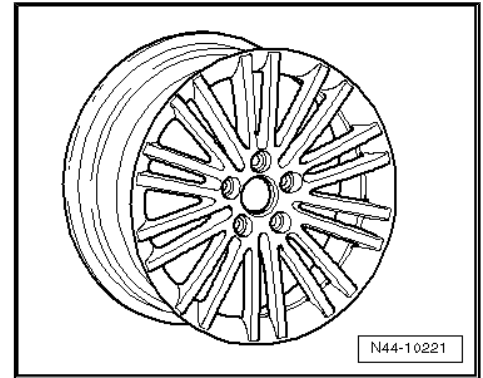




**1K0 601 025 AD - Wheel and tyre combination ⇒ page 195**

Only for vehicles with sports running gear and rear axle camber of -1°45'

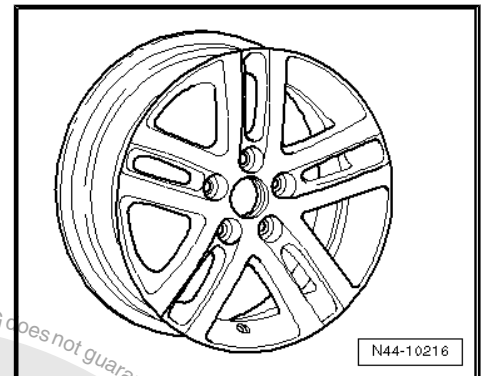
Size:	7 <sup>1</sup> / <sub>2</sub> J x 18
Wheel offset in mm:	51
Wheel load in kg:	630



**1K0 601 025 AG - Wheel and tyre combination ⇒ page 195**

Only for vehicles with sports running gear and rear axle camber of -1°45'

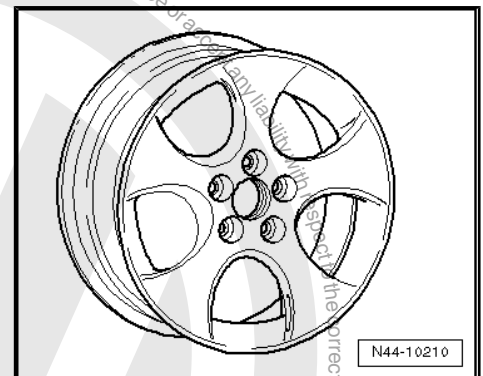
Size:	7 <sup>1</sup> / <sub>2</sub> J x 18
Wheel offset in mm:	51
Wheel load in kg:	630



**1K0 601 025 AH - Wheel and tyre combination ⇒ page 195**

Only for vehicles with sports running gear and rear axle camber of -1°45'

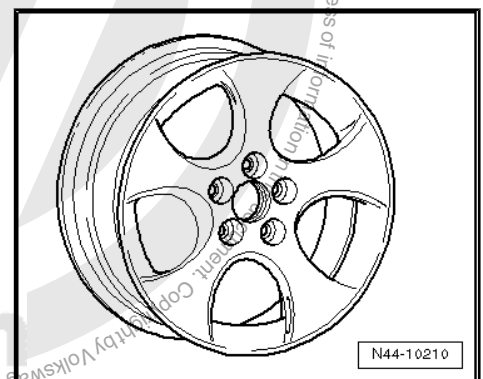
Size:	7 <sup>1</sup> / <sub>2</sub> J x 18
Wheel offset in mm:	51
Wheel load in kg:	615



**1K0 601 025 AM - Wheel and tyre combination ⇒ page 195**

Only for vehicles with sports running gear and rear axle camber of -1°45'

Size:	7 <sup>1</sup> / <sub>2</sub> J x 18
Wheel offset in mm:	51
Wheel load in kg:	615

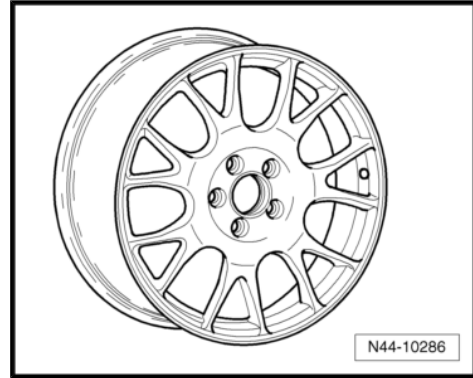




**1K0 601 025 AT, 1K0 601 025 CC - Wheel and tyre combination**  
⇒ [page 195](#)

Only for vehicles with sports running gear and rear axle camber of  $-1^{\circ}45'$

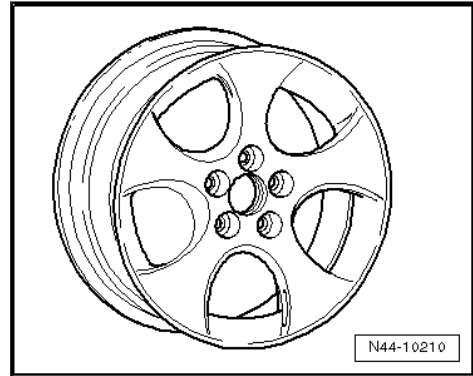
Size:	7 <sup>1</sup> / <sub>2</sub> J x 18
Wheel offset in mm:	51
Wheel load in kg:	615



**1K0 601 025 BA - Wheel and tyre combination** ⇒ [page 195](#)

Only for vehicles with sports running gear and rear axle camber of  $-1^{\circ}45'$

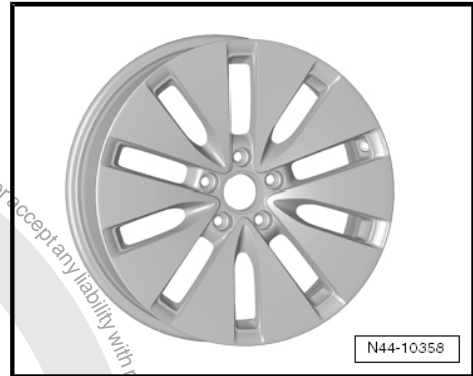
Size:	7 <sup>1</sup> / <sub>2</sub> J x 18
Wheel offset in mm:	51
Wheel load in kg:	615



**1K0 601 025 BE - Wheel and tyre combination** ⇒ [page 195](#)

Only for vehicles with sports running gear and rear axle camber of  $-1^{\circ}45'$

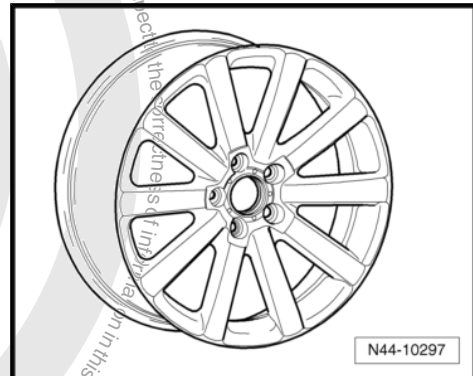
Size:	7 <sup>1</sup> / <sub>2</sub> J x 18
Wheel offset in mm:	51
Wheel load in kg:	615



**1K0 601 025 BL - Wheel and tyre combination** ⇒ [page 195](#)

Only for vehicles with sports running gear and rear axle camber of  $-1^{\circ}45'$

Size:	7 <sup>1</sup> / <sub>2</sub> J x 18
Wheel offset in mm:	51
Wheel load in kg:	615





## 27 Golf Variant BlueMotion from model year 2010

### General

Volkswagen vehicles are built according to the latest findings in safety engineering. To keep it that way, we recommend the use of only genuine Volkswagen spare parts. You can recognise this by the VW Audi logo and by the part number. It has been established that these parts are reliable, safe and suitable.

Despite constant appraisal of the market, we cannot assess other products on these points, even when in isolated cases they have been passed by official inspectors or have been granted official approval. Therefore, we cannot, of course, assume any liability if these products are installed.



#### WARNING

*The products from Volkswagen genuine parts and Votex genuine accessories may differ in fitting requirements, torque specifications and so on.*

*Always follow the respective fitting and operating instructions.*

The wheel and tyre combinations or changes listed in the vehicle tables refer exclusively to Volkswagen Genuine wheels. Approval of wheel and tyre combinations or a change to wheels from the accessories trade is not possible with the certificate statement attached here.



#### WARNING

*The fitting instructions and torque specifications for wheels from Votex genuine accessories may differ from those intended for wheels from Volkswagen genuine parts.*

*Therefore, always observe the torque settings for the wheel bolts as well as the respective fitting and operating instructions.*

### 27.1 Golf Variant BlueMotion, sales type AJ5, model year 2010 to model year 2011



#### Caution

*The Golf Variant BlueMotion will be listed according to the sales types and not by the type approval model codes.*

*The type approval model code and the associated type approval number are listed as follows.*

#### Golf Variant BlueMotion, type approval code 1KM

Appendix to certificate statement 8106803334



The certificate statement can be found on the Volkswagen ServiceNet under Accessories/Tyres, Wheels and Tyres, Wheels and Tyres Guide.



Type Approval No.: e1\*2001/116\*0328\*16 to  
e1\*2001/116\*0328\*18

### Overview

Model engine output	Tyres	Tyre size	Wheel rim	Off-set in mm	Snow chains	Remarks
1.2l 77 kW petrol engine	Standard tyres	195/65 R 15 91T	6 J x 15 ⇒ <a href="#">page 218</a>	47	Yes	General information on: ◆ Winter tyres ⇒ <a href="#">page 14</a> ◆ Snow chains ⇒ <a href="#">page 17</a>
1.6l 77 kW TDI diesel engine	Modification	195/65 R 15 91H/V	6 J x 15 ⇒ <a href="#">page 218</a>	47	Yes	Tyre makes recommended by Volkswagen: ◆ Summer tyres ⇒ <a href="#">page 505</a> ◆ Winter tyres ⇒ <a href="#">page 533</a>
		195/65 R 15 91T/H/V	6 1/2 J x 15 ⇒ <a href="#">page 219</a>	50	Yes	
		205/60 R 15 91T/H/V	6 J x 15 ⇒ <a href="#">page 218</a>	47	Yes	
		205/55 R 16 91T/H/V/W	6 1/2 J x 16 ⇒ <a href="#">page 221</a>	50	No	
	Winter tyres	195/65 R 15 91Q/T/H	6 J x 15 ⇒ <a href="#">page 218</a>	47	Yes	
		205/55 R 16 91Q/T/H	6 J x 16 ⇒ <a href="#">page 220</a>	50	Yes	

Tyre inflation pressures are located on a sticker in fuel tank flap or in ⇒ Maintenance ; Booklet ; Check tyres: condition, profile, inflation pressure, depth of tread .

## 27.2 Wheel allocation for Golf Variant BlueMotion, sales type AJ5, model year 2010 to model year 2011

Golf Variant BlueMotion, type approval code 1KM

Explanation of information on wheels ⇒ [page 58](#)

Torque settings for wheel bolts ⇒ Running gear, axles, steering;  
Rep. gr. 44 ; Torque settings for fitting wheels

Pitch circle diameter: 112 mm

Number of wheel bolt holes: 5

### 27.2.1 6 J x 15



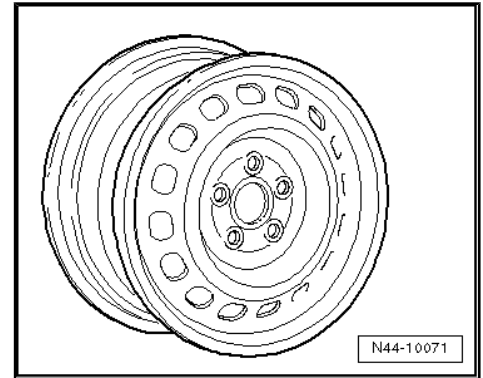
#### Caution

*Observe the allocation of wheels and tyres to the respective engines, which are listed in the overview table ⇒ [page 218](#) .*



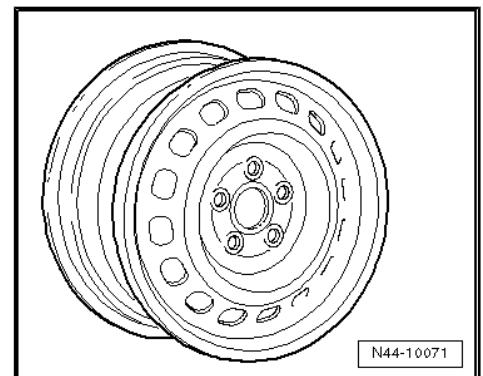
**1K0 601 027 C, 1K0 601 027 H - Wheel and tyre combination**  
⇒ [page 218](#)

Size:	6 J x 15
Wheel offset in mm:	47
Wheel load in kg:	615



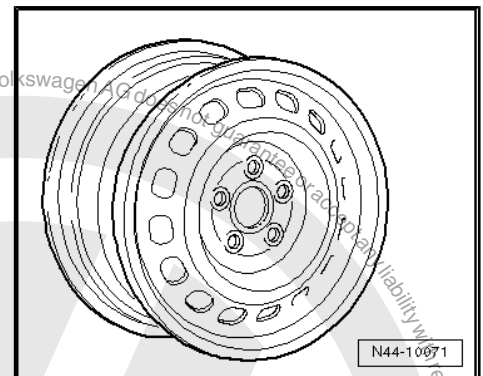
**1K0 601,027 T - Wheel and tyre combination** ⇒ [page 218](#)

Size:	6 J x 15
Wheel offset in mm:	47
Wheel load in kg:	615




**2K0 601 027 - Wheel and tyre combination** ⇒ [page 218](#)

Size:	6 J x 15
Wheel offset in mm:	47
Wheel load in kg:	650



**27.2.2 6<sup>1</sup>/<sub>2</sub> J x 15**

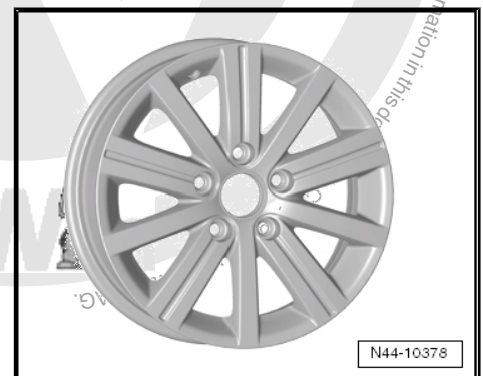


**Caution**

*Observe the allocation of wheels and tyres to the respective engines, which are listed in the overview table ⇒ [page 218](#) .*

**5k0 601 025 J - Wheel and tyre combination** ⇒ [page 218](#)

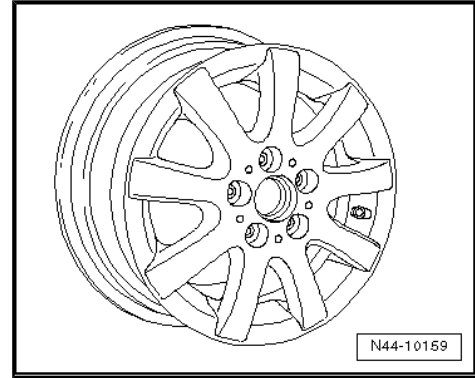
Size:	6 <sup>1</sup> / <sub>2</sub> J x 15
Wheel offset in mm:	50
Wheel load in kg:	600





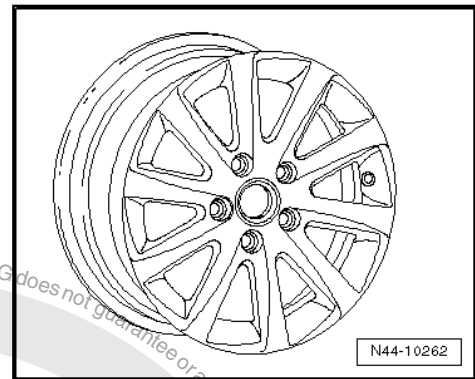
**1K0 601,025 A - Wheel and tyre combination ⇒ page 218**

Size:	6 <sup>1</sup> / <sub>2</sub> J x 15
Wheel offset in mm:	50
Wheel load in kg:	600



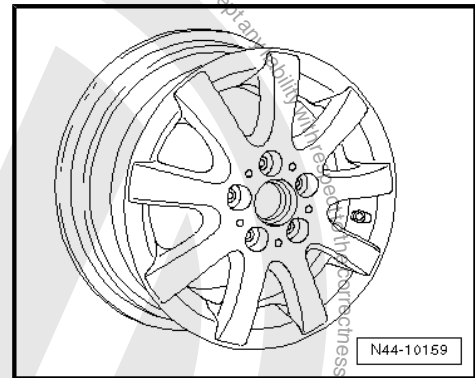
**1K0 601 025 AK - Wheel and tyre combination ⇒ page 218**

Size:	6 <sup>1</sup> / <sub>2</sub> J x 15
Wheel offset in mm:	50
Wheel load in kg:	600



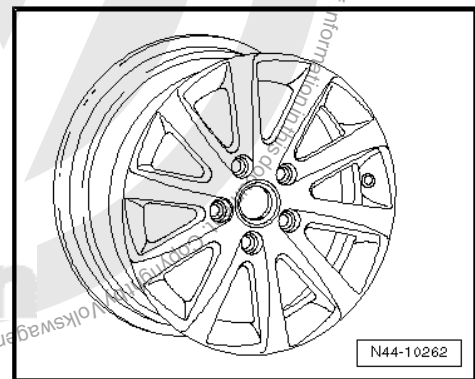
**1K0 601 025 AQ - Wheel and tyre combination ⇒ page 218**

Size:	6 <sup>1</sup> / <sub>2</sub> J x 15
Wheel offset in mm:	50
Wheel load in kg:	600



**1K0 601 025 CA - Wheel and tyre combination ⇒ page 218**

Size:	6 <sup>1</sup> / <sub>2</sub> J x 15
Wheel offset in mm:	50
Wheel load in kg:	600



**27.2.3 6 J x 16**



**Caution**

*Observe the allocation of wheels and tyres to the respective engines, which are listed in the overview table ⇒ page 218 .*



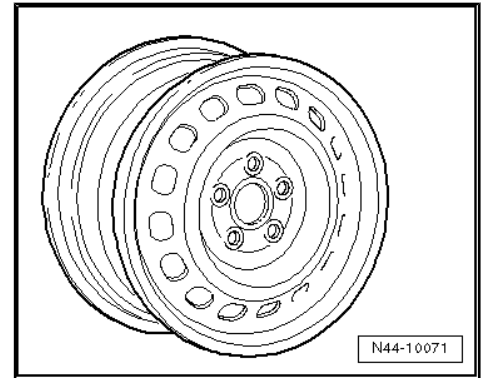
### Winter wheels

#### 8P0 601 027 - Wheel and tyre combination ⇒ page 218

Size:	6 J x 16
Wheel offset in mm:	50
Wheel load in kg:	600

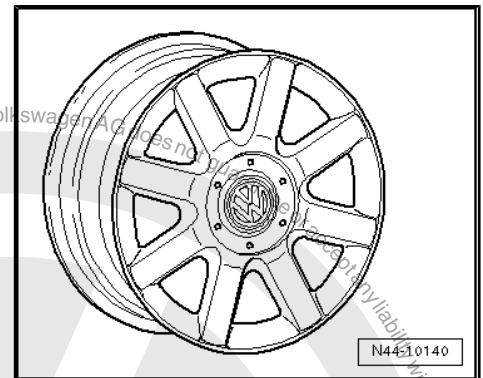
Use the following wheel bolt caps for wheel bolts:

- ◆ 1K0.601.173 (4 per wheel)
- ◆ 1K0.601.173.A (1 per wheel)



#### 1K0 601 025 Q - Wheel and tyre combination ⇒ page 218

Size:	6 J x 16 EH2 ⇒ page 58
Wheel offset in mm:	50
Wheel load in kg:	615



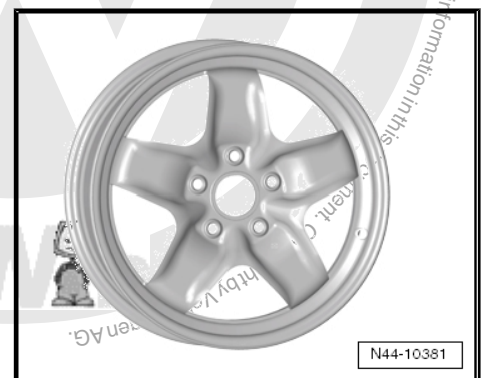
### 27.2.4 6<sup>1</sup>/<sub>2</sub> J x 16

**Caution**

*Observe the allocation of wheels and tyres to the respective engines, which are listed in the overview table ⇒ page 218 .*

#### 5K0 601 027 - Wheel and tyre combination ⇒ page 218

Size:	6 <sup>1</sup> / <sub>2</sub> J x 16
Wheel offset in mm:	50
Wheel load in kg:	615





**5K0 601 025 E - Wheel and tyre combination ⇒ page 218**

Size:	6 <sup>1</sup> / <sub>2</sub> J x 16
Wheel offset in mm:	50
Wheel load in kg:	615



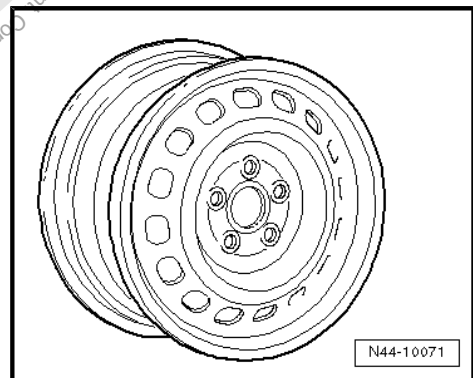
**5K0 601 025 S - Wheel and tyre combination ⇒ page 218**

Size:	6 <sup>1</sup> / <sub>2</sub> J x 16
Wheel offset in mm:	50
Wheel load in kg:	615



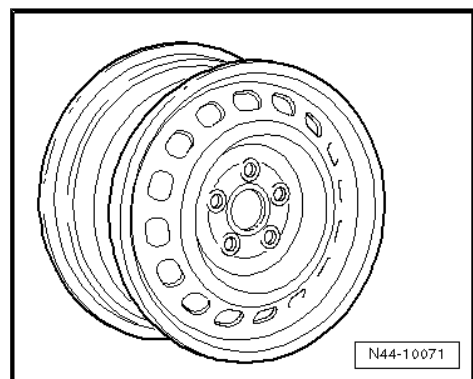
**1K0 601 027 A, 1K0 601 027 AK - Wheel and tyre combination ⇒ page 218**

Size:	6 <sup>1</sup> / <sub>2</sub> J x 16
Wheel offset in mm:	50
Wheel load in kg:	615



**1K0 601 027 J - Wheel and tyre combination ⇒ page 218**

Size:	6 <sup>1</sup> / <sub>2</sub> J x 16
Wheel offset in mm:	50
Wheel load in kg:	615

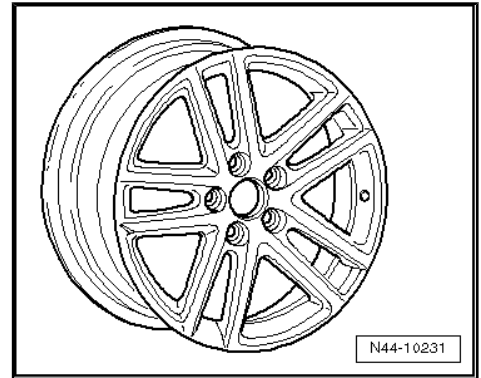






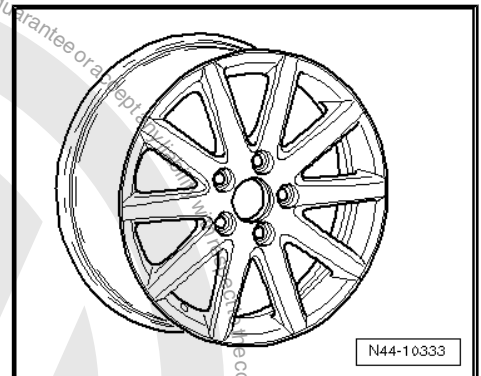
**1K0 601 025 AJ - Wheel and tyre combination ⇒ page 218**

Size:	6 <sup>1</sup> / <sub>2</sub> J x 16
Wheel offset in mm:	50
Wheel load in kg:	615



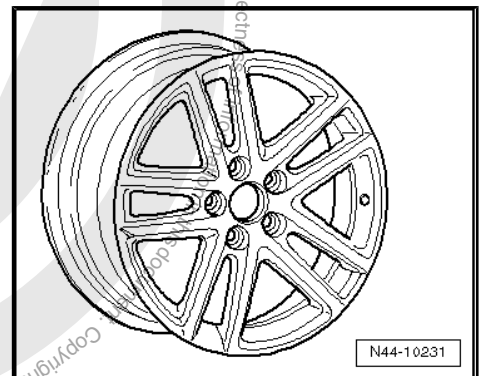
**1K0 601 025 BC - Wheel and tyre combination ⇒ page 218**

Size:	6 <sup>1</sup> / <sub>2</sub> J x 16
Wheel offset in mm:	50
Wheel load in kg:	615



**1K0 601 025 BM - Wheel and tyre combination ⇒ page 218**

Size:	6 <sup>1</sup> / <sub>2</sub> J x 16
Wheel offset in mm:	50
Wheel load in kg:	615



**1K0 601 025 BR - Wheel and tyre combination ⇒ page 218**

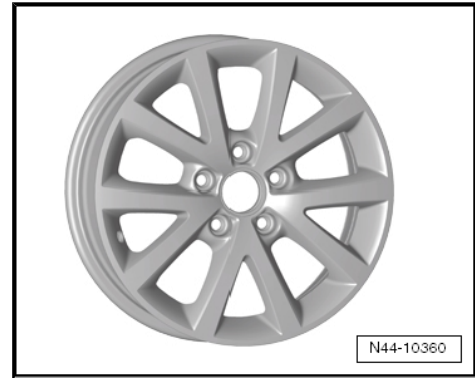
Size:	6 <sup>1</sup> / <sub>2</sub> J x 16
Wheel offset in mm:	50
Wheel load in kg:	615





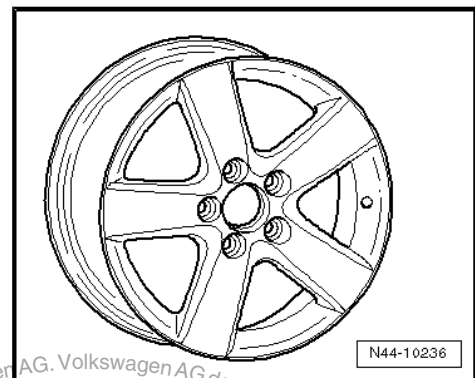
**1K0 601 025 BS, 1K0 601 025 CH - Wheel and tyre combination**  
⇒ [page 218](#)

Size:	6 <sup>1</sup> / <sub>2</sub> J x 16
Wheel offset in mm:	50
Wheel load in kg:	615



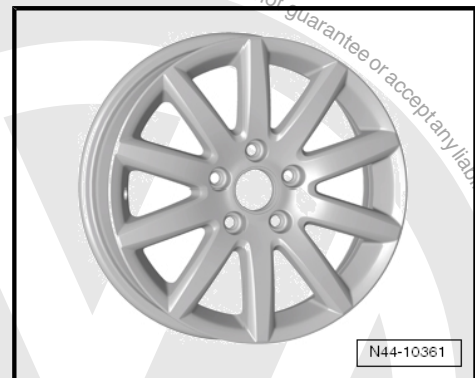
**1K0 601 025 CB - Wheel and tyre combination** ⇒ [page 218](#)

Size:	6 <sup>1</sup> / <sub>2</sub> J x 16
Wheel offset in mm:	50
Wheel load in kg:	615



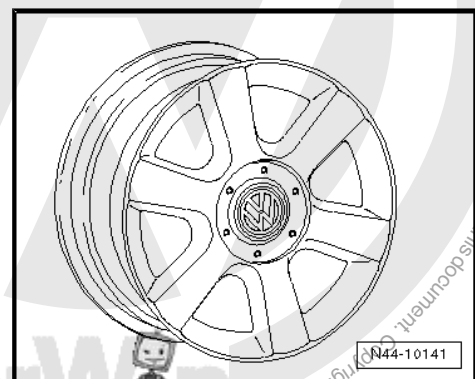
**1K0 601 025 CG - Wheel and tyre combination** ⇒ [page 218](#)

Size:	6 <sup>1</sup> / <sub>2</sub> J x 16
Wheel offset in mm:	50
Wheel load in kg:	615



**1T0 601 025 C - Wheel and tyre combination** ⇒ [page 218](#)

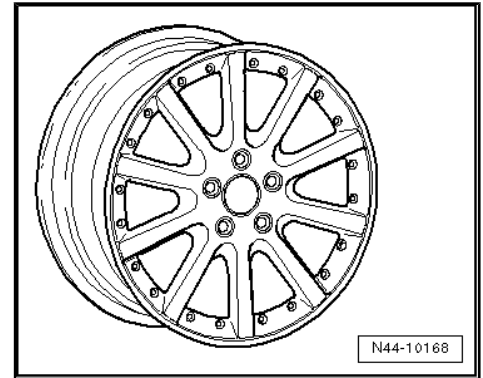
Size:	6 <sup>1</sup> / <sub>2</sub> J x 16
Wheel offset in mm:	50
Wheel load in kg:	615





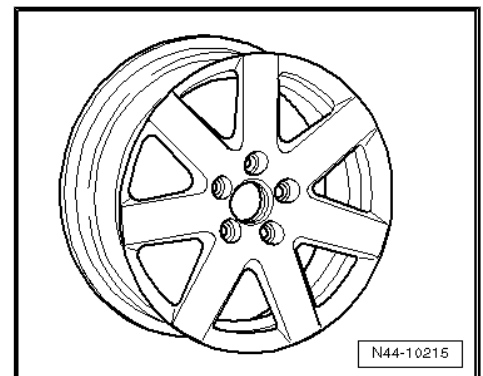
**1K0 601 025 F - Wheel and tyre combination ⇒ page 218**

Size:	6 <sup>1</sup> / <sub>2</sub> J x 16
Wheel offset in mm:	50
Wheel load in kg:	615



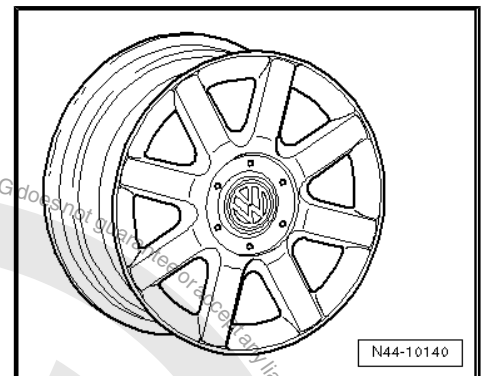
**1K0 601 025 P - Wheel and tyre combination ⇒ page 218**

Size:	6 <sup>1</sup> / <sub>2</sub> J x 16
Wheel offset in mm:	50
Wheel load in kg:	615



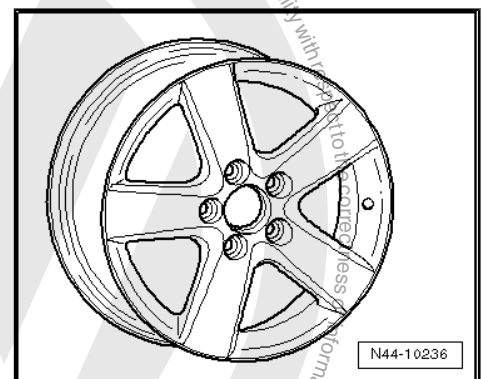
**1K0 601 025 R - Wheel and tyre combination ⇒ page 218**

Size:	6 <sup>1</sup> / <sub>2</sub> J x 16
Wheel offset in mm:	50
Wheel load in kg:	615



**1T0 601 025 G, 1T0 601 025 K - Wheel and tyre combination  
 ⇒ page 218**

Size:	6 <sup>1</sup> / <sub>2</sub> J x 16
Wheel offset in mm:	50
Wheel load in kg:	615

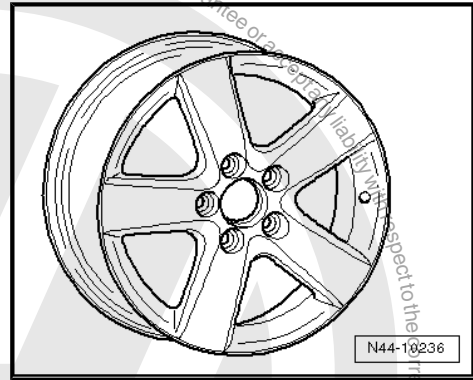


Protected by copyright. Copying for private or commercial purposes, in part or in whole, is not permitted unless authorised by Volkswagen AG. Volkswagen AG does not grant any liability with respect to the correctness of the information in this document. Copyright by Volkswagen AG.



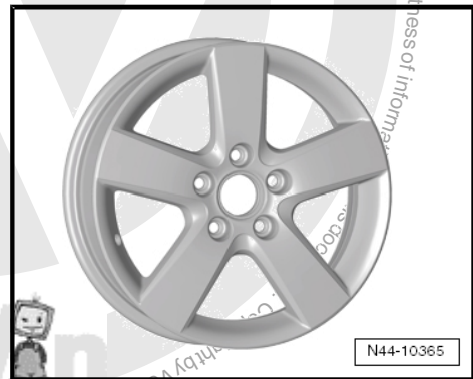
**1T0 601 025 M - Wheel and tyre combination ⇒ page 218**

Size:	6 <sup>1</sup> / <sub>2</sub> J x 16
Wheel offset in mm:	50
Wheel load in kg:	615



**1T0 601 025 R - Wheel and tyre combination ⇒ page 218**

Size:	6 <sup>1</sup> / <sub>2</sub> J x 16
Wheel offset in mm:	50
Wheel load in kg:	615





## 28 Jetta from model year 2006

### General

Volkswagen vehicles are built according to the latest findings in safety engineering. To keep it that way, we recommend the use of only genuine Volkswagen spare parts. You can recognise this by the VW Audi logo and by the part number. It has been established that these parts are reliable, safe and suitable.

Despite constant appraisal of the market, we cannot assess other products on these points, even when in isolated cases they have been passed by official inspectors or have been granted official approval. Therefore, we cannot, of course, assume any liability if these products are installed.



#### WARNING

*The products from Volkswagen genuine parts and Votex genuine accessories may differ in fitting requirements, torque specifications and so on.*

*Always follow the respective fitting and operating instructions.*

The wheel and tyre combinations or changes listed in the vehicle tables refer exclusively to Volkswagen Genuine wheels. Approval of wheel and tyre combinations or a change to wheels from the accessories trade is not possible with the certificate statement attached here.



#### WARNING

*The fitting instructions and torque specifications for wheels from Votex genuine accessories may differ from those intended for wheels from Volkswagen genuine parts.*

*Therefore, always observe the torque settings for the wheel bolts as well as the respective fitting and operating instructions.*

### 28.1 Jetta, type 1KM model year 2006

Appendix to certificate statement 8106803334

The certificate statement can be found on the Volkswagen ServiceNet under Accessories/Tyres, Wheels and Tyres, Wheels and Tyres Guide.

Type approval number: e1\*2001/116\*0328\*00 to e1\*2001/116\*0328\*04

#### Overview

Model engine output	Tyres	Tyre size	Wheel rim	Offset in mm	Snow chains	Remarks
1.6l 75 kW; 1.6l 85 kW; petrol engine	Standard tyres	195/65 R 15 91H	6 J x 15 ⇒ <a href="#">page 239</a>	47	Yes	General information on: ◆ Winter tyres ⇒ <a href="#">page 14</a> ◆ Snow chains ⇒ <a href="#">page 17</a>
1.9l 77 kW TDI diesel engine	Modification	195/65 R 15 91V	6 J x 15 ⇒ <a href="#">page 239</a>	47	Yes	Tyre makes recommended by Volkswagen:



Model engine output	Tyres	Tyre size	Wheel rim	Off-set in mm	Snow chains	Remarks	
		195/65 R 15 91H/V	6 <sup>1</sup> / <sub>2</sub> J x 15 ⇒ <a href="#">page 240</a>	50	Yes	<ul style="list-style-type: none"> <li>◆ Summer tyres ⇒ <a href="#">page 505</a></li> <li>◆ All-season tyres ⇒ <a href="#">page 523</a></li> <li>◆ Winter tyres ⇒ <a href="#">page 533</a></li> </ul>	
		205/60 R 15 91H/V	6 J x 15 ⇒ <a href="#">page 239</a>	47	Yes		
		205/55 R 16 91H/V/W	6 <sup>1</sup> / <sub>2</sub> J x 16 ⇒ <a href="#">page 242</a>	50	No		
		225/45 R 17 91H/V/W	7 J x 17 ⇒ <a href="#">page 247</a>	54	No		
		225/40 R 18 92Y* ⇒ <a href="#">page 228</a>	7 <sup>1</sup> / <sub>2</sub> J x 18 ⇒ <a href="#">page 251</a>	51	No		* 225/40 R 18 92Y tyres on 7 <sup>1</sup> / <sub>2</sub> J x 18 rims with an offset of 51 are permitted only on vehicles with sports running gear and a rear axle camber of -1°45'! ⇒ <a href="#">page 252</a>
		Winter tyres	195/65 R 15 91Q/T/H	6 J x 15 ⇒ <a href="#">page 239</a>	47	Yes	
			205/55 R 16 91Q/T/H	6 J x 16 ⇒ <a href="#">page 241</a>	50	Yes	
	2.0l 100 kW TDI; 2.0l 103 kW TDI; diesel engines	Standard tyres	205/55 R 16 91V	6 <sup>1</sup> / <sub>2</sub> J x 16 ⇒ <a href="#">page 242</a>	50	No	
	2.0l 110 kW; petrol engine	Modification	195/65 R 15 91V	6 J x 15 ⇒ <a href="#">page 239</a>	47	Yes	
			195/65 R 15 91V	6 <sup>1</sup> / <sub>2</sub> J x 15 ⇒ <a href="#">page 240</a>	50	Yes	
		205/60 R 15 91V	6 J x 15 ⇒ <a href="#">page 239</a>	47	Yes		
		205/55 R 16 91W	6 <sup>1</sup> / <sub>2</sub> J x 16 ⇒ <a href="#">page 242</a>	50	No		
		225/45 R 17 91V/W	7 J x 17 ⇒ <a href="#">page 247</a>	54	No		
		225/40 R 18 92Y* ⇒ <a href="#">page 228</a>	7 <sup>1</sup> / <sub>2</sub> J x 18 ⇒ <a href="#">page 251</a>	51	No		
	Winter tyres	195/65 R 15 91Q/T/H	6 J x 15 ⇒ <a href="#">page 239</a>	47	Yes		



Model engine output	Tyres	Tyre size	Wheel rim	Off-set in mm	Snow chains	Remarks
		205/55 R 16 91Q/T/H	6 J x 16 ⇒ <a href="#">page 241</a>	50	Yes	
2.0l 147 kW; petrol engine	Standard tyres	205/55 R 16 91W	6 1/2 J x 16 ⇒ <a href="#">page 242</a>	50	No	
	Modification	225/45 R 17 91W	7 J x 17 ⇒ <a href="#">page 247</a>	54	No	
		225/40 R 18 92Y* ⇒ <a href="#">page 228</a>	7 1/2 J x 18 ⇒ <a href="#">page 251</a>	51	No	
	Winter tyres	205/55 R 16 91Q/T/H	6 J x 16 ⇒ <a href="#">page 241</a>	50	Yes	

Tyre inflation pressures are located on a sticker in fuel tank flap or in ⇒ Maintenance Booklet ; Check tyres: condition, profile, inflation pressure, depth of tread .

## 28.2 Jetta, type 1KM model year 2007 to model year 2008

Appendix to certificate statement 8106803334

The certificate statement can be found on the Volkswagen ServiceNet under Accessories/Tyres, Wheels and Tyres, Wheels and Tyres Guide.

Type approval number: e1\*2001/116\*0328\*05 to e1\*2001/116\*0328\*11

### Overview

Model engine output	Tyres	Tyre size	Wheel rim	Off-set in mm	Snow chains	Remarks
1.6l 75 kW; petrol engine	Standard tyres	195/65 R 15 91T	6 J x 15 ⇒ <a href="#">page 239</a>	47	Yes	General information on: ♦ Winter tyres ⇒ <a href="#">page 14</a> ♦ Snow chains ⇒ <a href="#">page 17</a>
	Modification	195/65 R 15 91H/V	6 J x 15 ⇒ <a href="#">page 239</a>	47	Yes	
195/65 R 15 91T/H/V		6 1/2 J x 15 ⇒ <a href="#">page 240</a>	50	Yes		
205/60 R 15 91T/H/V		6 J x 15 ⇒ <a href="#">page 239</a>	47	Yes		



Model engine output	Tyres	Tyre size	Wheel rim	Off-set in mm	Snow chains	Remarks
		205/55 R 16 91T/H/V	6 <sup>1</sup> / <sub>2</sub> J x 16 ⇒ <a href="#">page 242</a>	50	No	<p>* 225/40 R 18 92Y tyres on 7<sup>1</sup>/<sub>2</sub> J x 18 rims with an offset of 51 are permitted only on vehicles with sports running gear and a rear axle camber of -1°45'!</p>
		225/45 R 17 91T/H/V	7 J x 17 ⇒ <a href="#">page 247</a>	54	No	
		225/40 R 18 92Y* ⇒ <a href="#">page 230</a>	7 <sup>1</sup> / <sub>2</sub> J x 18 ⇒ <a href="#">page 251</a>	51	No	
	Winter tyres	195/65 R 15 91Q/T/H	6 J x 15 ⇒ <a href="#">page 239</a>	47	Yes	
		205/55 R 16 91Q/T/H	6 J x 16 ⇒ <a href="#">page 241</a>	50	Yes	
1.6l 85 kW; 1.4l 90 kW petrol engine	Standard tyres	195/65 R 15 91H	6 J x 15 ⇒ <a href="#">page 239</a>	47	Yes	<p>General information on:</p> <ul style="list-style-type: none"> <li>◆ Winter tyres ⇒ <a href="#">page 14</a></li> <li>◆ Snow chains ⇒ <a href="#">page 17</a></li> </ul>
1.9l 77 kW TDI diesel engine with manual gearbox 2.0l 100 kW TDI; 2.0l 103 kW TDI; diesel engines	Modification	195/65 R 15 91V	6 J x 15 ⇒ <a href="#">page 239</a>	47	Yes	<p>Tyre makes recommended by Volkswagen:</p> <ul style="list-style-type: none"> <li>◆ Summer tyres ⇒ <a href="#">page 505</a></li> <li>◆ All-season tyres ⇒ <a href="#">page 523</a></li> <li>◆ Winter tyres ⇒ <a href="#">page 533</a></li> </ul>
		195/65 R 15 91H/V	6 <sup>1</sup> / <sub>2</sub> J x 15 ⇒ <a href="#">page 240</a>	50	Yes	
		205/60 R 15 91H/V	6 J x 15 ⇒ <a href="#">page 239</a>	47	Yes	
		205/55 R 16 91H/V/W	6 <sup>1</sup> / <sub>2</sub> J x 16 ⇒ <a href="#">page 242</a>	50	No	
		225/45 R 17 91H/V/W	7 J x 17 ⇒ <a href="#">page 247</a>	54	No	
		225/40 R 18 92Y* ⇒ <a href="#">page 230</a>	7 <sup>1</sup> / <sub>2</sub> J x 18 ⇒ <a href="#">page 251</a>	51	No	<p>* 225/40 R 18 92Y tyres on 7<sup>1</sup>/<sub>2</sub> J x 18 rims with an offset of 51 are permitted only on vehicles with sports running gear and a rear axle camber of -1°45'!</p>
	Winter tyres	195/65 R 15 91Q/T/H	6 J x 15 ⇒ <a href="#">page 239</a>	47	Yes	





Model engine output	Tyres	Tyre size	Wheel rim	Off-set in mm	Snow chains	Remarks
		205/55 R 16 91Q/T/H	6 J x 16 ⇒ <a href="#">page 241</a>	50	Yes	
1.4l 103 kW; 2.0l 110 kW; petrol engine	Standard tyres	205/55 R 16 91V	6 1/2 J x 16 ⇒ <a href="#">page 242</a>	50	No	
	Modification	195/65 R 15 91V	6 J x 15 ⇒ <a href="#">page 239</a>	47	Yes	
		195/65 R 15 91V	6 1/2 J x 15 ⇒ <a href="#">page 240</a>	50	Yes	
		205/60 R 15 91V	6 J x 15 ⇒ <a href="#">page 239</a>	47	Yes	
		205/55 R 16 91V/W	6 1/2 J x 16 ⇒ <a href="#">page 242</a>	50	No	
		225/45 R 17 91V/W	7 J x 17 ⇒ <a href="#">page 247</a>	54	No	
		225/40 R 18 92Y* ⇒ <a href="#">page 230</a>	7 1/2 J x 18 ⇒ <a href="#">page 251</a>	51	No	
	Winter tyres	195/65 R 15 91Q/T/H	6 J x 15 ⇒ <a href="#">page 239</a>	47	Yes	
		205/55 R 16 91Q/T/H	6 J x 16 ⇒ <a href="#">page 241</a>	50	Yes	
1.4 l 125 kW; petrol engine	Standard tyres	205/55 R 16 91V	6 1/2 J x 16 ⇒ <a href="#">page 242</a>	50	No	
	Modification	225/45 R 17 91V/W	7 J x 17 ⇒ <a href="#">page 247</a>	54	No	
		225/40 R 18 92Y* ⇒ <a href="#">page 230</a>	7 1/2 J x 18 ⇒ <a href="#">page 251</a>	51	No	
	Winter tyres	205/55 R 16 91Q/T/H	6 J x 16 ⇒ <a href="#">page 241</a>	50	Yes	
2.0l 125 kW TDI diesel engine	Standard tyres	205/55 R 16 91W	6 1/2 J x 16 ⇒ <a href="#">page 242</a>	50	No	
	Modification	225/45 R 17 91W	7 J x 17 ⇒ <a href="#">page 247</a>	54	No	
		225/40 R 18 92Y* ⇒ <a href="#">page 230</a>	7 1/2 J x 18 ⇒ <a href="#">page 251</a>	51	No	
	Winter tyres	205/55 R 16 91Q/T/H	6 J x 16 ⇒ <a href="#">page 241</a>	50	Yes	
2.0l 147 kW; petrol engine	Standard tyres	205/55 R 16 91W	6 1/2 J x 16 ⇒ <a href="#">page 242</a>	50	No	
	Modification	225/45 R 17 91W	7 J x 17 ⇒ <a href="#">page 247</a>	54	No	
		225/40 R 18 92Y* ⇒ <a href="#">page 230</a>	7 1/2 J x 18 ⇒ <a href="#">page 251</a>	51	No	
	Winter tyres	205/55 R 16 91Q/T/H	6 J x 16 ⇒ <a href="#">page 241</a>	50	Yes	



Tyre inflation pressures are located on a sticker in fuel tank flap or in ⇒ Maintenance ; Booklet ; Check tyres: condition, profile, inflation pressure, depth of tread .

### 28.3 Jetta, type 1KM model year 2009 to model year 2011



**Caution**

Observe wheel and tyre combinations for vehicles as of type approval number: e1\*2001/116\*0328\*17 ⇒ [page 236](#) .

Appendix to certificate statement 8106803334

The certificate statement can be found on the Volkswagen ServiceNet under Accessories/Tyres, Wheels and Tyres, Wheels and Tyres Guide.

Type approval number: e1\*2001/116\*0328\*12 to e1\*2001/116\*0328\*16

**Overview**

Model engine output	Tyres	Tyre size	Wheel rim	Off-set in mm	Snow chains	Remarks
1.6l 75 kW; petrol engine	Standard tyres	195/65 R 15 91T	6 J x 15 ⇒ <a href="#">page 239</a>	47	Yes	General information on: ♦ Winter tyres ⇒ <a href="#">page 14</a> ♦ Snow chains ⇒ <a href="#">page 17</a>
	Modification 1.6l 77 kW TDI; 1.9l 77 kW TDI; diesel engine	195/65 R 15 91H/V	6 J x 15 ⇒ <a href="#">page 239</a>	47	Yes	Tyre makes recommended by Volkswagen: ♦ Summer tyres ⇒ <a href="#">page 505</a> ♦ All-season tyres ⇒ <a href="#">page 523</a> ♦ Winter tyres ⇒ <a href="#">page 533</a>
195/65 R 15 91T/H/V		6 1/2 J x 15 ⇒ <a href="#">page 240</a>	50	Yes		
205/60 R 15 91T/H/V		6 J x 15 ⇒ <a href="#">page 239</a>	47	Yes		
205/55 R 16 91T/H/V		6 1/2 J x 16 ⇒ <a href="#">page 242</a>	50	No		
225/45 R 17 91T/H/V		7 J x 17 ⇒ <a href="#">page 247</a>	54	No		
225/45 R 17 91T/H/V/W * ⇒ <a href="#">page 232</a>		7 1/2 J x 17 ⇒ <a href="#">page 250</a>	51	No	* 225/45 R 17 91T/H/V/W tyres on 7 1/2 J x 17 rims with an offset of 51 are permitted only on vehicles with sports running gear!	



Model engine output	Tyres	Tyre size	Wheel rim	Off-set in mm	Snow chains	Remarks
		225/40 R 18 92Y** ⇒ <a href="#">page 233</a>	7½ J x 18 ⇒ <a href="#">page 251</a>	51	No	** 225/40 R 18 92Y tyres on 7½ J x 18 rims with an offset of 51 are permitted only on vehicles with sports running gear and a rear axle camber of -1°45'!
	Winter tyres	195/65 R 15 91Q/T/H	6 J x 15 ⇒ <a href="#">page 239</a>	47	Yes	
		205/55 R 16 91Q/T/H	6 J x 16 ⇒ <a href="#">page 241</a>	50	Yes	
1.6l 85 kW; 1.4l 90 kW petrol engine	Standard tyres	195/65 R 15 91H	6 J x 15 ⇒ <a href="#">page 239</a>	47	Yes	
	Modification	195/65 R 15 91V	6 J x 15 ⇒ <a href="#">page 239</a>	47	Yes	
		195/65 R 15 91H/V	6½ J x 15 ⇒ <a href="#">page 240</a>	50	Yes	
		205/60 R 15 91H/V	6 J x 15 ⇒ <a href="#">page 239</a>	47	Yes	
		205/55 R 16 91H/V/W	6½ J x 16 ⇒ <a href="#">page 242</a>	50	No	
		225/45 R 17 91H/V/W	7 J x 17 ⇒ <a href="#">page 247</a>	54	No	
		225/45 R 17 91H/V/W * ⇒ <a href="#">page 233</a>	7½ J x 17 ⇒ <a href="#">page 250</a>	51	No	* 225/45 R 17 91H/V/W tyres on 7½ J x 17 rims with an offset of 51 are permitted only on vehicles with sports running gear!
		225/40 R 18 92Y** ⇒ <a href="#">page 233</a>	7½ J x 18 ⇒ <a href="#">page 251</a>	51	No	** 225/40 R 18 92Y tyres on 7½ J x 18 rims with an offset of 51 are permitted only on vehicles with sports running gear and a rear axle camber of -1°45'!
		Winter tyres	195/65 R 15 91Q/T/H	6 J x 15 ⇒ <a href="#">page 239</a>	47	Yes
	205/55 R 16 91Q/T/H		6 J x 16 ⇒ <a href="#">page 241</a>	50	Yes	
2.0l 100 kW TDI; 2.0l 103 kW TDI; diesel engines	Standard tyres	195/65 R 15 91H	6 J x 15 ⇒ <a href="#">page 239</a>	47	Yes	



Model engine output	Tyres	Tyre size	Wheel rim	Off-set in mm	Snow chains	Remarks
	Modification	195/65 R 15 91V	6 J x 15 ⇒ <a href="#">page 239</a>	47	Yes	
		195/65 R 15 91H/V	6 <sup>1</sup> / <sub>2</sub> J x 15 ⇒ <a href="#">page 240</a>	50	Yes	
		205/60 R 15 91H/V	6 J x 15 ⇒ <a href="#">page 239</a>	47	Yes	
		205/55 R 16 91H/V/W	6 <sup>1</sup> / <sub>2</sub> J x 16 ⇒ <a href="#">page 242</a>	50	No	
		225/45 R 17 91H/V/W	7 J x 17 ⇒ <a href="#">page 247</a>	54	No	
		225/40 R 18 92Y** ⇒ <a href="#">page 234</a>	7 <sup>1</sup> / <sub>2</sub> J x 18 ⇒ <a href="#">page 251</a>	51	No	
	Winter tyres	195/65 R 15 91Q/T/H	6 J x 15 ⇒ <a href="#">page 239</a>	47	Yes	
		205/55 R 16 91Q/T/H	6 J x 16 ⇒ <a href="#">page 241</a>	50	Yes	
1.4l 103 kW; 2.0l 110 kW; petrol engine	Standard tyres	205/55 R 16 91V	6 <sup>1</sup> / <sub>2</sub> J x 16 ⇒ <a href="#">page 242</a>	50	No	
	Modification	195/65 R 15 91V	6 J x 15 ⇒ <a href="#">page 239</a>	47	Yes	
		195/65 R 15 91V	6 <sup>1</sup> / <sub>2</sub> J x 15 ⇒ <a href="#">page 240</a>	50	Yes	
		205/60 R 15 91V	6 J x 15 ⇒ <a href="#">page 239</a>	47	Yes	
		205/55 R 16 91W	6 <sup>1</sup> / <sub>2</sub> J x 16 ⇒ <a href="#">page 242</a>	50	No	
		225/45 R 17 91V/W	7 J x 17 ⇒ <a href="#">page 247</a>	54	No	
		225/45 R 17 91V/W * ⇒ <a href="#">page 234</a>	7 <sup>1</sup> / <sub>2</sub> J x 17 ⇒ <a href="#">page 250</a>	51	No	* 225/45 R 17 91V/W tyres on 7 <sup>1</sup> / <sub>2</sub> J x 17 rims with an offset of 51 are permitted only on vehicles with sports running gear!



Model engine output	Tyres	Tyre size	Wheel rim	Off-set in mm	Snow chains	Remarks
		225/40 R 18 92Y** ⇒ <a href="#">page 235</a>	7 <sup>1</sup> / <sub>2</sub> J x 18 ⇒ <a href="#">page 251</a>	51	No	** 225/40 R 18 92Y tyres on 7 <sup>1</sup> / <sub>2</sub> J x 18 rims with an offset of 51 are permitted only on vehicles with sports running gear and a rear axle camber of -1°45'!
	Winter tyres	195/65 R 15 91Q/T/H	6 J x 15 ⇒ <a href="#">page 239</a>	47	Yes	
		205/55 R 16 91Q/T/H	6 J x 16 ⇒ <a href="#">page 241</a>	50	Yes	
1.4l 125 kW petrol engine	Standard tyres	205/55 R 16 91V	6 <sup>1</sup> / <sub>2</sub> J x 16 ⇒ <a href="#">page 242</a>	50	No	
	Modification	225/45 R 17 91V/W	7 J x 17 ⇒ <a href="#">page 247</a>	54	No	
		225/45 R 17 91V/W * ⇒ <a href="#">page 235</a>	7 <sup>1</sup> / <sub>2</sub> J x 17 ⇒ <a href="#">page 250</a>	51	No	* 225/45 R 17 91V/W tyres on 7 <sup>1</sup> / <sub>2</sub> J x 17 rims with an offset of 51 are permitted only on vehicles with sports running gear!
		225/40 R 18 92Y** ⇒ <a href="#">page 235</a>	7 <sup>1</sup> / <sub>2</sub> J x 18 ⇒ <a href="#">page 251</a>	51	No	** 225/40 R 18 92Y tyres on 7 <sup>1</sup> / <sub>2</sub> J x 18 rims with an offset of 51 are permitted only on vehicles with sports running gear and a rear axle camber of -1°45'!
	Winter tyres	205/55 R 16 91Q/T/H	6 J x 16 ⇒ <a href="#">page 241</a>	50	Yes	
1.4l 118 kW petrol engine	Standard tyres	205/55 R 16 91V	6 <sup>1</sup> / <sub>2</sub> J x 16 ⇒ <a href="#">page 242</a>	50	No	
2.0l 125 kW TDI diesel engine	Modification	225/45 R 17 91V/W	7 J x 17 ⇒ <a href="#">page 247</a>	54	No	
		225/40 R 18 92Y** ⇒ <a href="#">page 235</a>	7 <sup>1</sup> / <sub>2</sub> J x 18 ⇒ <a href="#">page 251</a>	51	No	** 225/40 R 18 92Y tyres on 7 <sup>1</sup> / <sub>2</sub> J x 18 rims with an offset of 51 are permitted only on vehicles with sports running gear and a rear axle camber of -1°45'!
	Winter tyres	205/55 R 16 91Q/T/H	6 J x 16 ⇒ <a href="#">page 241</a>	50	Yes	
2.0l 147 kW; petrol engine	Standard tyres	205/55 R 16 91W	6 <sup>1</sup> / <sub>2</sub> J x 16 ⇒ <a href="#">page 242</a>	50	No	



Model engine output	Tyres	Tyre size	Wheel rim	Off-set in mm	Snow chains	Remarks
	Modification	225/45 R 17 91W	7 J x 17 ⇒ <a href="#">page 247</a>	54	No	* 225/45 R 17 91W tyres on 7 <sup>1</sup> / <sub>2</sub> J x 17 rims with an offset of 51 are permitted only on vehicles with sports running gear!  ** 225/40 R 18 92Y** tyres on 7 <sup>1</sup> / <sub>2</sub> J x 18 rims with an offset of 51 are permitted only on vehicles with sports running gear and a rear axle camber of -1°45'!
		225/45 R 17 91W* ⇒ <a href="#">page 236</a>	7 <sup>1</sup> / <sub>2</sub> J x 17 ⇒ <a href="#">page 250</a>	51	No	
		225/40 R 18 92Y** ⇒ <a href="#">page 236</a>	7 <sup>1</sup> / <sub>2</sub> J x 18 ⇒ <a href="#">page 251</a>	51	No	
	Winter tyres	205/55 R 16 91Q/T/H	6 J x 16 ⇒ <a href="#">page 241</a>	50	Yes	

Tyre inflation pressures are located on a sticker in fuel tank flap or in ⇒ Maintenance ; Booklet ; Check tyres: condition, profile, inflation pressure, depth of tread .

Appendix to certificate statement 8106803334

The certificate statement can be found on the Volkswagen ServiceNet under Accessories/Tyres, Wheels and Tyres, Wheels and Tyres Guide.

Type Approval No.: e1\*2001/116\*0328\*17 to e1\*2001/116\*0328\*18

#### Overview

Model engine output	Tyres	Tyre size	Wheel rim	Off-set in mm	Snow chains	Remarks
1.6l 75 kW; petrol engine	Standard tyres	195/65 R 15 91T	6 J x 15 ⇒ <a href="#">page 239</a>	47	Yes	General information on: ◆ Winter tyres ⇒ <a href="#">page 14</a> ◆ Snow chains ⇒ <a href="#">page 17</a>
1.6l 66 kW TDI; 1.6l 77 kW TDI; 1.9l 77 kW TDI diesel engine	Modification	195/65 R 15 91H/V	6 J x 15 ⇒ <a href="#">page 239</a>	47	Yes	Tyre makes recommended by Volkswagen:  ◆ Summer tyres ⇒ <a href="#">page 505</a> ◆ All-season tyres ⇒ <a href="#">page 523</a> ◆ Winter tyres ⇒ <a href="#">page 533</a>
		195/65 R 15 91T/H/V	6 <sup>1</sup> / <sub>2</sub> J x 15 ⇒ <a href="#">page 240</a>	50	Yes	
	205/60 R 15 91T/H/V	6 J x 15 ⇒ <a href="#">page 239</a>	47	Yes		



Model engine output	Tyres	Tyre size	Wheel rim	Off-set in mm	Snow chains	Remarks
		205/55 R 16 91T/H/V	6 <sup>1</sup> / <sub>2</sub> J x 16 ⇒ <a href="#">page 242</a>	50	No	* 225/45 R 17 91T/H/V/W tyres on 7 <sup>1</sup> / <sub>2</sub> J x 17 rims with an offset of 51 are permitted only on vehicles with sports running gear! ** 225/40 R 18 92Y tyres on 7 <sup>1</sup> / <sub>2</sub> J x 18 rims with an offset of 51 are permitted only on vehicles with sports running gear and a rear axle camber of -1°45'
		225/45 R 17 91T/H/V	7 J x 17 ⇒ <a href="#">page 247</a>	54	No	
		225/45 R 17 91T/H/V/W * ⇒ <a href="#">page 237</a>	7 <sup>1</sup> / <sub>2</sub> J x 17 ⇒ <a href="#">page 250</a>	51	No	
		225/40 R 18 92Y** ⇒ <a href="#">page 237</a>	7 <sup>1</sup> / <sub>2</sub> J x 18 ⇒ <a href="#">page 251</a>	51	No	
	Winter tyres	195/65 R 15 91Q/T/H	6 J x 15 ⇒ <a href="#">page 239</a>	47	Yes	
		205/55 R 16 91Q/T/H	6 J x 16 ⇒ <a href="#">page 241</a>	50	Yes	
1.4l 90 kW petrol engine	Standard tyres	195/65 R 15 91H	6 J x 15 ⇒ <a href="#">page 239</a>	47	Yes	* 225/45 R 17 91H/V/W tyres on 7 <sup>1</sup> / <sub>2</sub> J x 17 rims with an offset of 51 are permitted only on vehicles with sports running gear!
	Modification	195/65 R 15 91V	6 J x 15 ⇒ <a href="#">page 239</a>	47	Yes	
		195/65 R 15 91H/V	6 <sup>1</sup> / <sub>2</sub> J x 15 ⇒ <a href="#">page 240</a>	50	Yes	
		205/60 R 15 91H/V	6 J x 15 ⇒ <a href="#">page 239</a>	47	Yes	
		205/55 R 16 91H/V/W	6 <sup>1</sup> / <sub>2</sub> J x 16 ⇒ <a href="#">page 242</a>	50	No	
		225/45 R 17 91H/V/W	7 J x 17 ⇒ <a href="#">page 247</a>	54	No	
		225/45 R 17 91H/V/W * ⇒ <a href="#">page 237</a>	7 <sup>1</sup> / <sub>2</sub> J x 17 ⇒ <a href="#">page 250</a>	51	No	



Model engine output	Tyres	Tyre size	Wheel rim	Off-set in mm	Snow chains	Remarks
		225/40 R 18 92Y** ⇒ <a href="#">page 238</a>	7 1/2 J x 18 ⇒ <a href="#">page 251</a>	51	No	** 225/40 R 18 92Y tyres on 7 1/2 J x 18 rims with an offset of 51 are permitted only on vehicles with sports running gear and a rear axle cam- ber of -1°45'!
	Winter tyres	195/65 R 15 91Q/T/H	6 J x 15 ⇒ <a href="#">page 239</a>	47	Yes	
		205/55 R 16 91Q/T/H	6 J x 16 ⇒ <a href="#">page 241</a>	50	Yes	
2.0l 100 kW TDI; 2.0l 103 kW TDI diesel engines	Standard tyres	195/65 R 15 91H	6 J x 15 ⇒ <a href="#">page 239</a>	47	Yes	
	Modification	195/65 R 15 91V	6 J x 15 ⇒ <a href="#">page 239</a>	47	Yes	
		195/65 R 15 91H/V	6 1/2 J x 15 ⇒ <a href="#">page 240</a>	50	Yes	
		205/60 R 15 91H/V	6 J x 15 ⇒ <a href="#">page 239</a>	47	Yes	
		205/55 R 16 91H/V/W	6 1/2 J x 16 ⇒ <a href="#">page 242</a>	50	No	
		225/45 R 17 91H/V/W	7 J x 17 ⇒ <a href="#">page 247</a>	54	No	
		225/40 R 18 92Y** ⇒ <a href="#">page 238</a>	7 1/2 J x 18 ⇒ <a href="#">page 251</a>	51	No	** 225/40 R 18 92Y tyres on 7 1/2 J x 18 rims with an offset of 51 are permitted only on vehicles with sports running gear and a rear axle cam- ber of -1°45'!
		Winter tyres	195/65 R 15 91Q/T/H	6 J x 15 ⇒ <a href="#">page 239</a>	47	Yes
	205/55 R 16 91Q/T/H	6 J x 16 ⇒ <a href="#">page 241</a>	50	Yes		
1.4l 118 kW petrol engine	Standard tyres	205/55 R 16 91V	6 1/2 J x 16 ⇒ <a href="#">page 242</a>	50	No	
2.0l 125 kW TDI diesel engine	Modification	225/45 R 17 91V/W	7 J x 17 ⇒ <a href="#">page 247</a>	54	No	





Model engine output	Tyres	Tyre size	Wheel rim	Off-set in mm	Snow chains	Remarks	
		225/40 R 18 92Y** ⇒ <a href="#">page 239</a>	7 <sup>1</sup> / <sub>2</sub> J x 18 ⇒ <a href="#">page 251</a>	51	No	** 225/40 R 18 92Y tyres on 7 <sup>1</sup> / <sub>2</sub> J x 18 rims with an offset of 51 are permitted only on vehicles with sports running gear and a rear axle camber of -1°45'!	
	Winter tyres	205/55 R 16 91Q/T/H	6 J x 16 ⇒ <a href="#">page 241</a>	50	Yes		
2.0l 147 kW; petrol engine	Standard tyres	205/55 R 16 91V	6 <sup>1</sup> / <sub>2</sub> J x 16 ⇒ <a href="#">page 242</a>	50	No		
	Modification	225/45 R 17 91V/W	7 J x 17 ⇒ <a href="#">page 247</a>	54	No		
		225/45 R 17 91V/W * ⇒ <a href="#">page 239</a>	7 <sup>1</sup> / <sub>2</sub> J x 17 ⇒ <a href="#">page 250</a>	51	No		* 225/45 R 17 91W tyres on 7 <sup>1</sup> / <sub>2</sub> J x 17 rims with an offset of 51 are permitted only on vehicles with sports running gear!
		225/40 R 18 92Y** ⇒ <a href="#">page 239</a>	7 <sup>1</sup> / <sub>2</sub> J x 18 ⇒ <a href="#">page 251</a>	51	No		** 225/40 R 18 92Y tyres on 7 <sup>1</sup> / <sub>2</sub> J x 18 rims with an offset of 51 are permitted only on vehicles with sports running gear and a rear axle camber of -1°45'!
	Winter tyres	205/55 R 16 91Q/T/H	6 J x 16 ⇒ <a href="#">page 241</a>	50	Yes		

Tyre inflation pressures are located on a sticker in fuel tank flap or in ⇒ Maintenance ; Booklet . Check tyres: condition, profile, inflation pressure, depth of tread .

## 28.4 Wheel allocation for Jetta, type 1KM model year 2006 to model year 2011

Explanation of information on wheels ⇒ [page 58](#)

Torque settings for wheel bolts ⇒ Running gear, axles, steering; Rep. gr. 44 ; Torque settings for fitting wheels

Pitch circle diameter: 112 mm

Number of wheel bolt holes: 5

### 28.4.1 6 J x 15



Caution

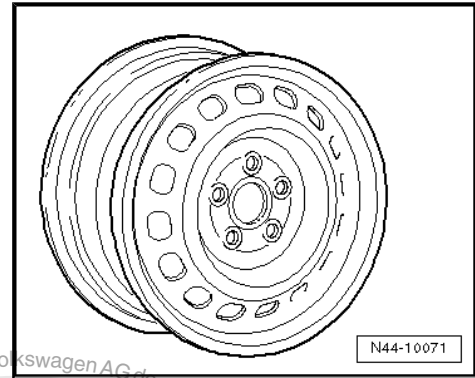
Observe the allocation of wheels and tyres to the respective engines, which are listed in the overview table ⇒ [page 227](#) .





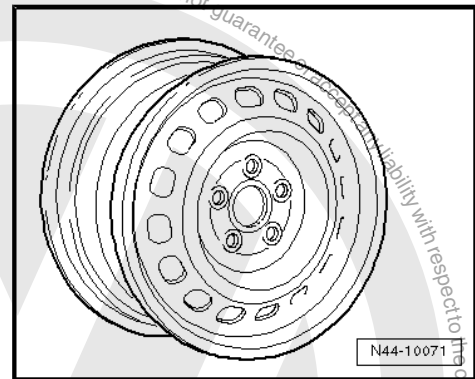
**1K0 601 027 C, 1K0 601 027 H - Wheel and tyre combination**  
⇒ [page 227](#)

Size:	6 J x 15
Wheel offset in mm:	47
Wheel load in kg:	615



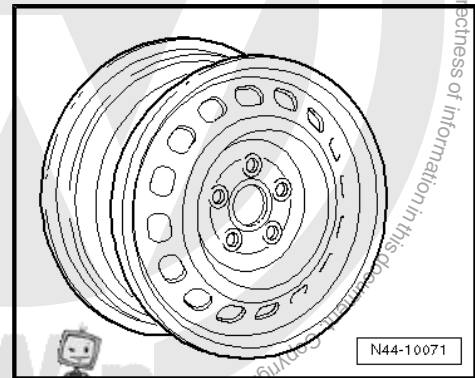
**1K0 601,027 T - Wheel and tyre combination** ⇒ [page 227](#)

Size:	6 J x 15
Wheel offset in mm:	47
Wheel load in kg:	615



**2K0 601 027 - Wheel and tyre combination** ⇒ [page 227](#)

Size:	6 J x 15
Wheel offset in mm:	47
Wheel load in kg:	650



**28.4.2 6<sup>1</sup>/<sub>2</sub> J x 15**

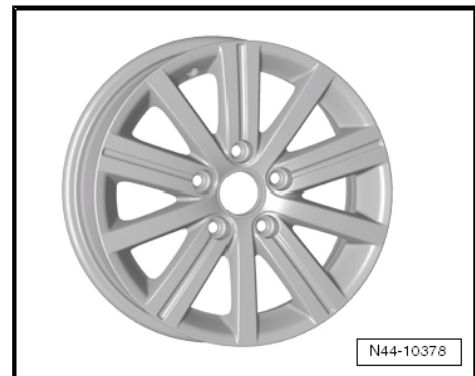


**Caution**

*Observe the allocation of wheels and tyres to the respective engines, which are listed in the overview table ⇒ [page 227](#).*

**5k0 601 025 J - Wheel and tyre combination** ⇒ [page 228](#)

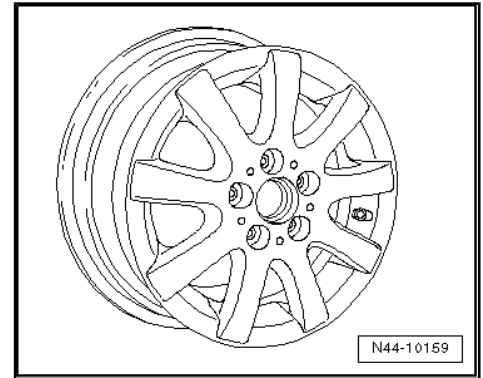
Size:	6 <sup>1</sup> / <sub>2</sub> J x 15
Wheel offset in mm:	50
Wheel load in kg:	600





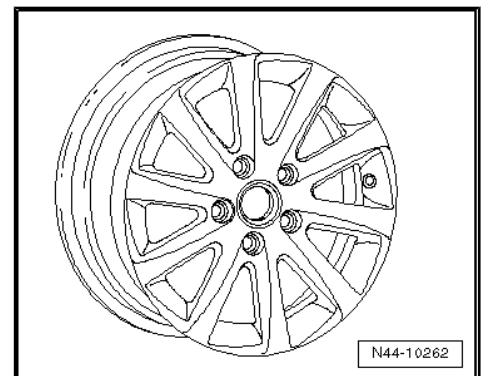
**1K0 601,025 A - Wheel and tyre combination ⇒ page 228**

Size:	6 <sup>1</sup> / <sub>2</sub> J x 15
Wheel offset in mm:	50
Wheel load in kg:	600



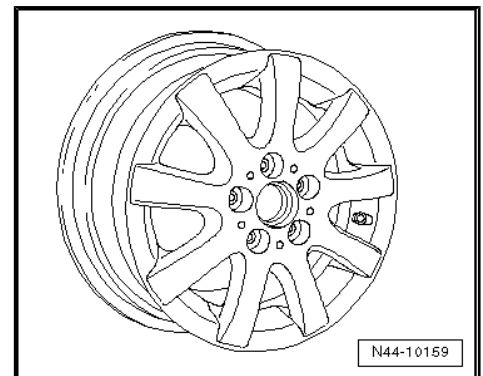
**1K0 601 025 AK - Wheel and tyre combination ⇒ page 228**

Size:	6 <sup>1</sup> / <sub>2</sub> J x 15
Wheel offset in mm:	50
Wheel load in kg:	600



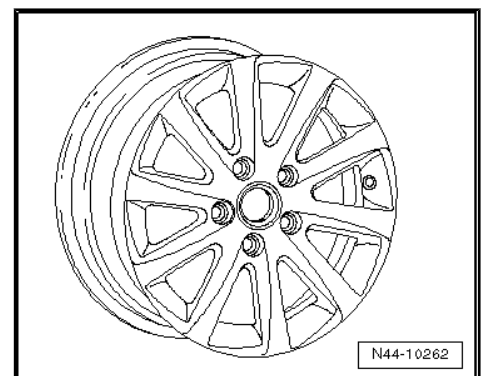
**1K0 601 025 AQ - Wheel and tyre combination ⇒ page 228**

Size:	6 <sup>1</sup> / <sub>2</sub> J x 15
Wheel offset in mm:	50
Wheel load in kg:	600



**1K0 601 025 CA - Wheel and tyre combination ⇒ page 228**

Size:	6 <sup>1</sup> / <sub>2</sub> J x 15
Wheel offset in mm:	50
Wheel load in kg:	600



**28.4.3 6 J x 16**



**Caution**

**Observe the allocation of wheels and tyres to the respective engines, which are listed in the overview table ⇒ page 227 .**



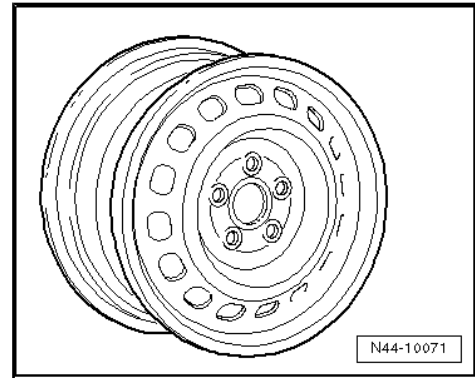
### Winter wheels

#### 8P0 601 027 - Wheel and tyre combination ⇒ [page 228](#)

Size:	6 J x 16
Wheel offset in mm:	50
Wheel load in kg:	600

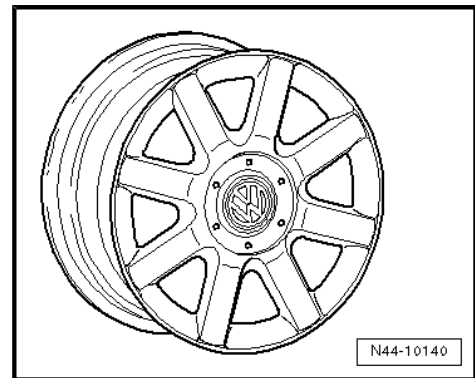
Use the following wheel bolt caps for wheel bolts:

- ◆ 1K0.601.173 (4 per wheel)
- ◆ 1K0.601.173.A (1 per wheel)



#### 1K0 601 025 Q - Wheel and tyre combination ⇒ [page 228](#)

Size:	6 J x 16 EH2 ⇒ <a href="#">page 58</a>
Wheel offset in mm:	50
Wheel load in kg:	615



### 28.4.4 6<sup>1</sup>/<sub>2</sub> J x 16

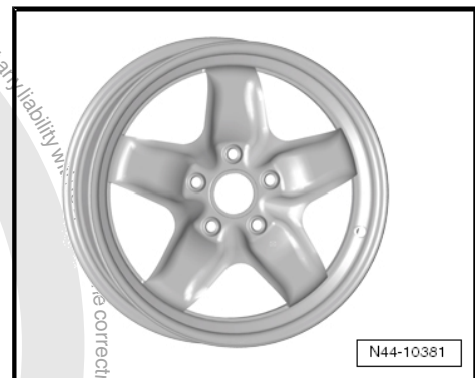


#### Caution

*Observe the allocation of wheels and tyres to the respective engines, which are listed in the overview table ⇒ [page 227](#).*

#### 5K0 601 027 - Wheel and tyre combination ⇒ [page 228](#)

Size:	6 <sup>1</sup> / <sub>2</sub> J x 16
Wheel offset in mm:	50
Wheel load in kg:	615





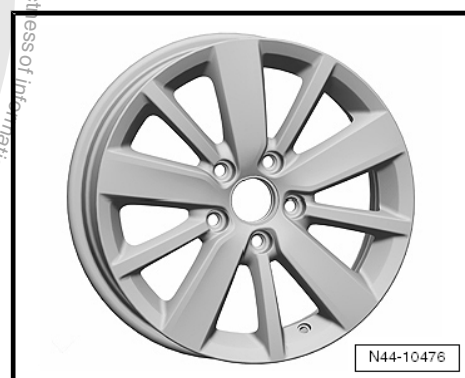
**5K0 601 025 E - Wheel and tyre combination ⇒ page 228**

Size:	6 <sup>1</sup> / <sub>2</sub> J x 16
Wheel offset in mm:	50
Wheel load in kg:	615



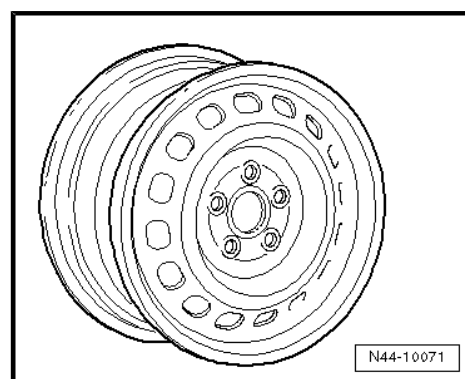
**5K0 601 025 S - Wheel and tyre combination ⇒ page 228**

Size:	6 <sup>1</sup> / <sub>2</sub> J x 16
Wheel offset in mm:	50
Wheel load in kg:	615



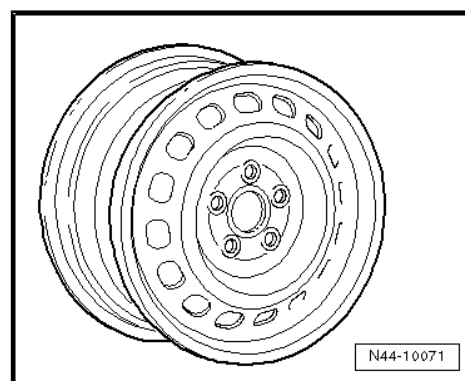
**1K0 601 027 A, 1K0 601 027 AK - Wheel and tyre combination ⇒ page 228**

Size:	6 <sup>1</sup> / <sub>2</sub> J x 16
Wheel offset in mm:	50
Wheel load in kg:	615



**1K0 601 027 J - Wheel and tyre combination ⇒ page 228**

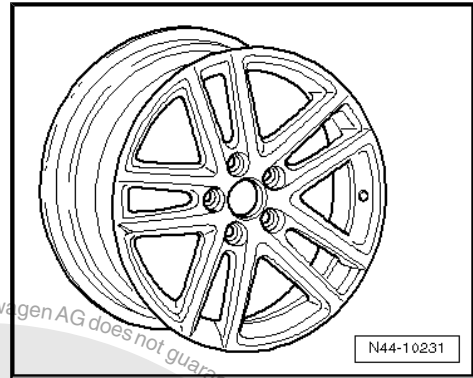
Size:	6 <sup>1</sup> / <sub>2</sub> J x 16
Wheel offset in mm:	50
Wheel load in kg:	615





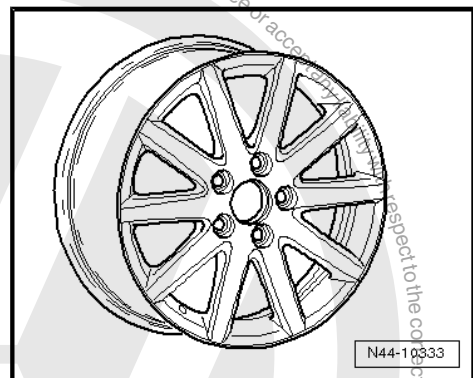
**1K0 601 025 AJ - Wheel and tyre combination ⇒ page 228**

Size:	6 <sup>1</sup> / <sub>2</sub> J x 16
Wheel offset in mm:	50
Wheel load in kg:	615



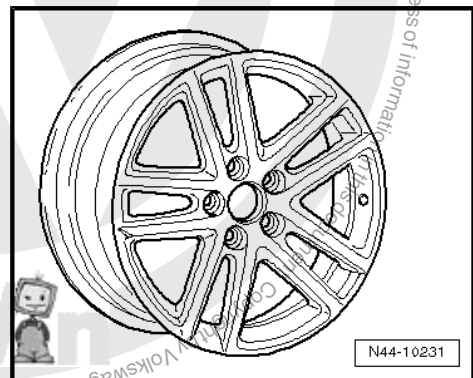
**1K0 601 025 BC - Wheel and tyre combination ⇒ page 228**

Size:	6 <sup>1</sup> / <sub>2</sub> J x 16
Wheel offset in mm:	50
Wheel load in kg:	615



**1K0 601 025 BM - Wheel and tyre combination ⇒ page 228**

Size:	6 <sup>1</sup> / <sub>2</sub> J x 16
Wheel offset in mm:	50
Wheel load in kg:	615



**1K0 601 025 BR - Wheel and tyre combination ⇒ page 228**

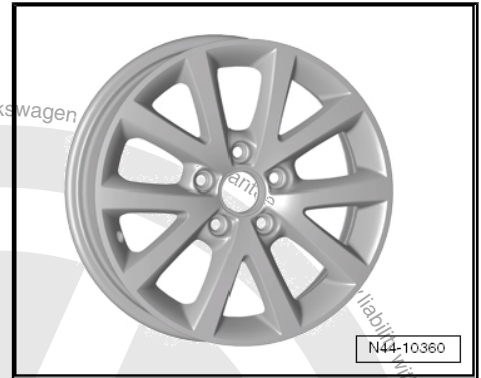
Size:	6 <sup>1</sup> / <sub>2</sub> J x 16
Wheel offset in mm:	50
Wheel load in kg:	615





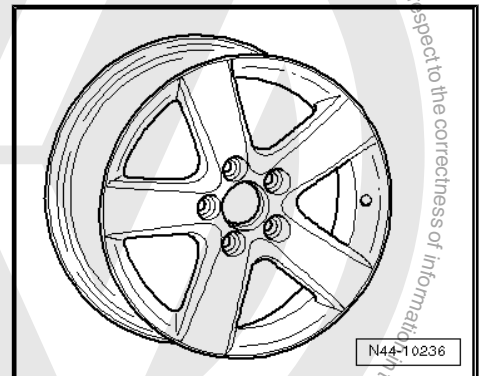
**1K0 601 025 BS, 1K0 601 025 CH - Wheel and tyre combination**  
 ⇒ [page 228](#)

Size:	6 <sup>1</sup> / <sub>2</sub> J x 16
Wheel offset in mm:	50
Wheel load in kg:	615



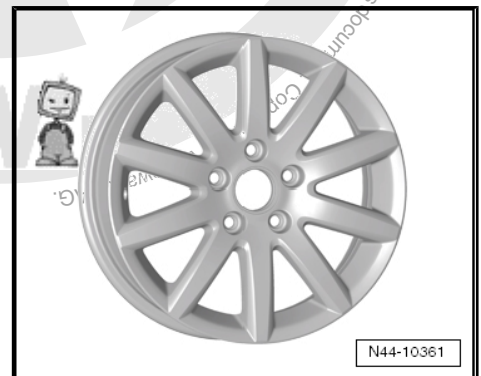
**1K0 601 025 CB - Wheel and tyre combination** ⇒ [page 228](#)

Size:	6 <sup>1</sup> / <sub>2</sub> J x 16
Wheel offset in mm:	50
Wheel load in kg:	615



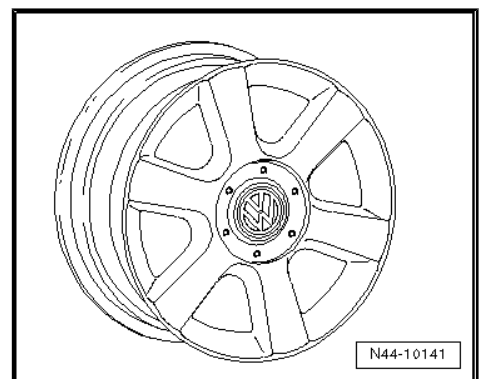
**1K0 601 025 CG - Wheel and tyre combination** ⇒ [page 228](#)

Size:	6 <sup>1</sup> / <sub>2</sub> J x 16
Wheel offset in mm:	50
Wheel load in kg:	615



**1T0 601 025 C - Wheel and tyre combination** ⇒ [page 228](#)

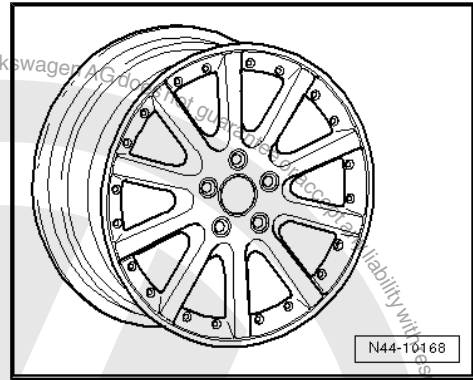
Size:	6 <sup>1</sup> / <sub>2</sub> J x 16
Wheel offset in mm:	50
Wheel load in kg:	615





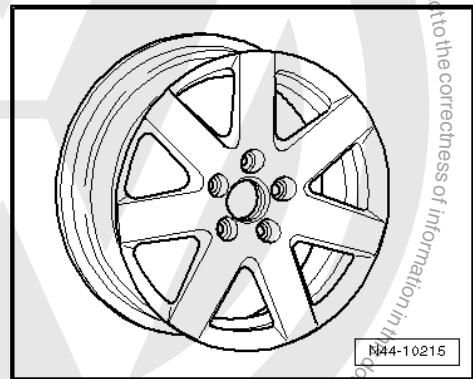
**1K0 601 025 F - Wheel and tyre combination ⇒ page 228**

Size:	6 <sup>1</sup> / <sub>2</sub> J x 16
Wheel offset in mm:	50
Wheel load in kg:	615



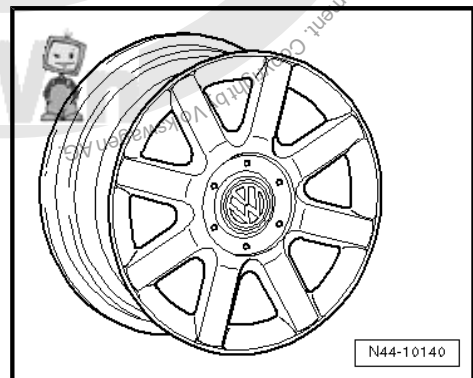
**1K0 601 025 P - Wheel and tyre combination ⇒ page 228**

Size:	6 <sup>1</sup> / <sub>2</sub> J x 16
Wheel offset in mm:	50
Wheel load in kg:	615



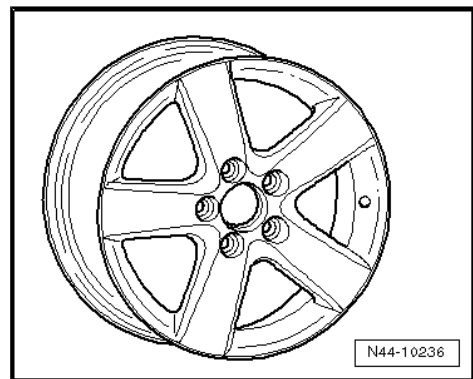
**1K0 601 025 R - Wheel and tyre combination ⇒ page 228**

Size:	6 <sup>1</sup> / <sub>2</sub> J x 16
Wheel offset in mm:	50
Wheel load in kg:	615



**1T0 601 025 G, 1T0 601 025 K - Wheel and tyre combination ⇒ page 228**

Size:	6 <sup>1</sup> / <sub>2</sub> J x 16
Wheel offset in mm:	50
Wheel load in kg:	615

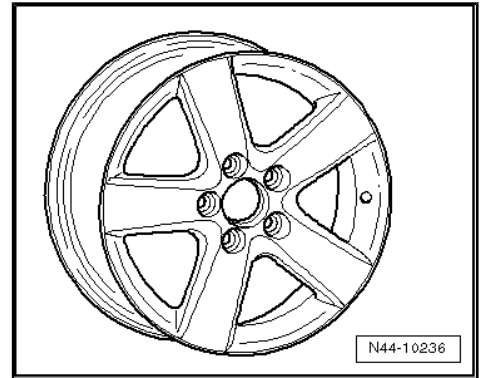






**1T0 601 025 M - Wheel and tyre combination ⇒ page 228**

Size:	6 <sup>1</sup> / <sub>2</sub> J x 16
Wheel offset in mm:	50
Wheel load in kg:	615



**1T0 601 025 R - Wheel and tyre combination ⇒ page 228**

Size:	6 <sup>1</sup> / <sub>2</sub> J x 16
Wheel offset in mm:	50
Wheel load in kg:	615

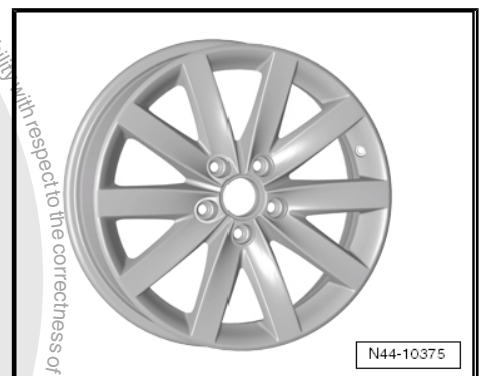


**28.4.5 7 J x 17**

**⚠ Caution**  
*Observe the allocation of wheels and tyres to the respective engines, which are listed in the overview table ⇒ page 227.*

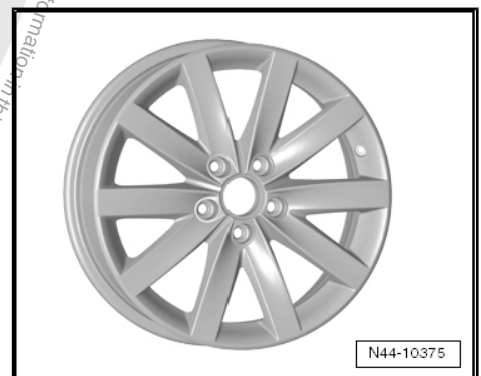
**5K0 601 025 D - Wheel and tyre combination ⇒ page 228**

Size:	7 J x 17
Wheel offset in mm:	54
Wheel load in kg:	615



**5K0 601 025 F - Wheel and tyre combination ⇒ page 228**

Size:	7 J x 17
Wheel offset in mm:	54
Wheel load in kg:	615





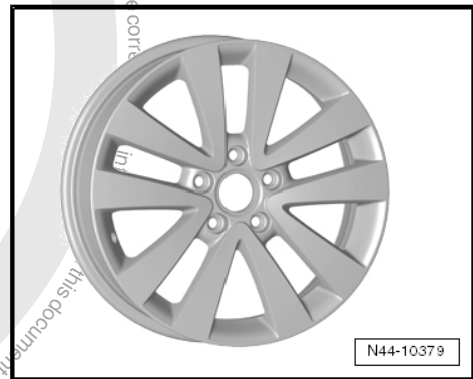
**5K0 601 025 K - Wheel and tyre combination ⇒ [page 228](#)**

Size:	7 J x 17
Wheel offset in mm:	54
Wheel load in kg:	615



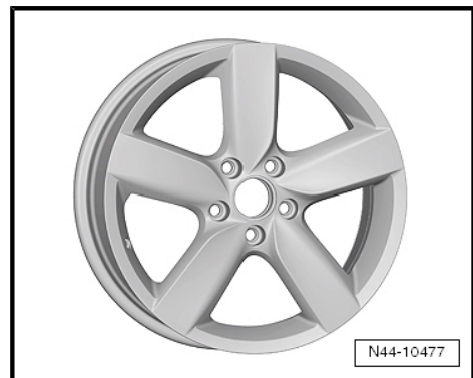
**5K0 601 025 Q, 5K0 601 025 R - Wheel and tyre combination ⇒ [page 228](#)**

Size:	7 J x 17
Wheel offset in mm:	54
Wheel load in kg:	615



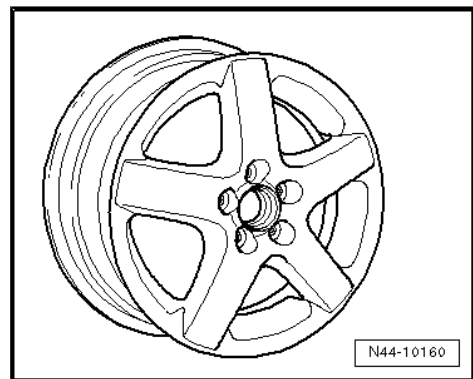
**5K0 601 025 AA - Wheel and tyre combination ⇒ [page 228](#)**

Size:	7 J x 17
Wheel offset in mm:	54
Wheel load in kg:	615



**1K0 601 025 B - Wheel and tyre combination ⇒ [page 228](#)**

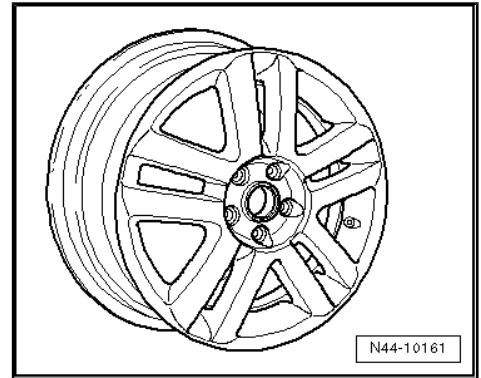
Size:	7 J x 17
Wheel offset in mm:	54
Wheel load in kg:	615





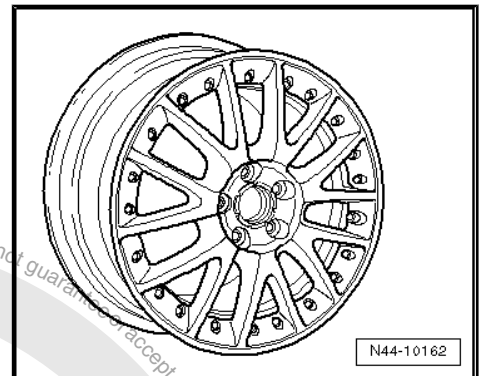
**1K0 601,025 C - Wheel and tyre combination ⇒ page 228**

Size:	7 J x 17
Wheel offset in mm:	54
Wheel load in kg:	615



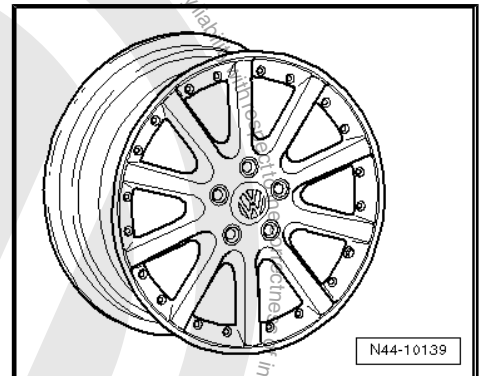
**1K0 601 025 J - Wheel and tyre combination ⇒ page 228**

Size:	7 J x 17
Wheel offset in mm:	54
Wheel load in kg:	615



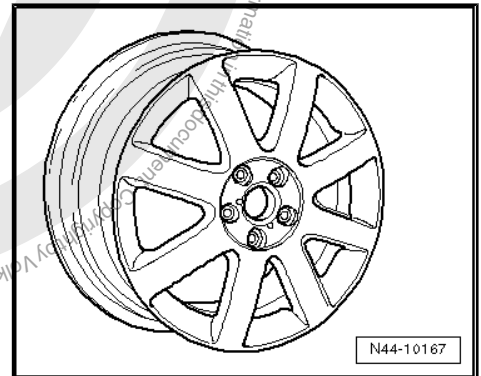
**1K0 601 025 K - Wheel and tyre combination ⇒ page 228**

Size:	7 J x 17
Wheel offset in mm:	54
Wheel load in kg:	615



**1K0 601 025 M - Wheel and tyre combination ⇒ page 228**

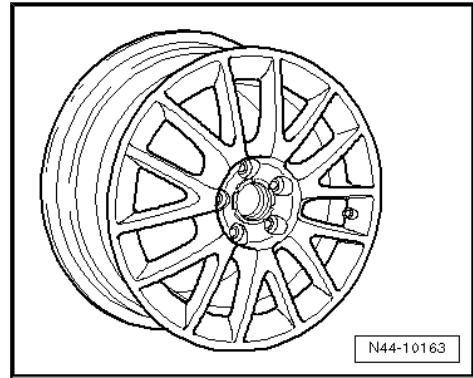
Size:	7 J x 17
Wheel offset in mm:	54
Wheel load in kg:	615





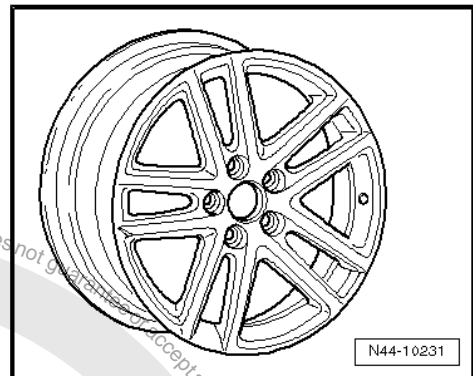
**1K0 601 025 T - Wheel and tyre combination ⇒ page 228**

Size:	7 J x 17
Wheel offset in mm:	54
Wheel load in kg:	615



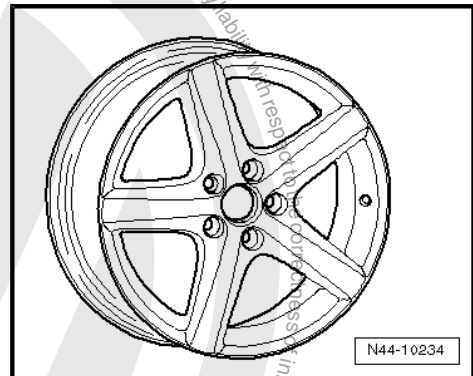
**1K0 601 025 AF - Wheel and tyre combination ⇒ page 228**

Size:	7 J x 17
Wheel offset in mm:	54
Wheel load in kg:	630



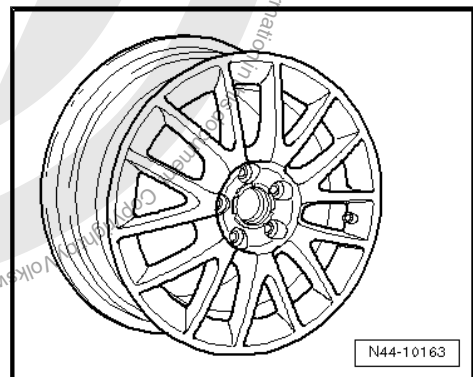
**1K0 601 025 AE - Wheel and tyre combination ⇒ page 228**

Size:	7 J x 17
Wheel offset in mm:	54
Wheel load in kg:	630



**1K0 601 025 AN - Wheel and tyre combination ⇒ page 228**

Size:	7 J x 17
Wheel offset in mm:	54
Wheel load in kg:	615



**28.4.6 7 1/2 J x 17**



**Caution**

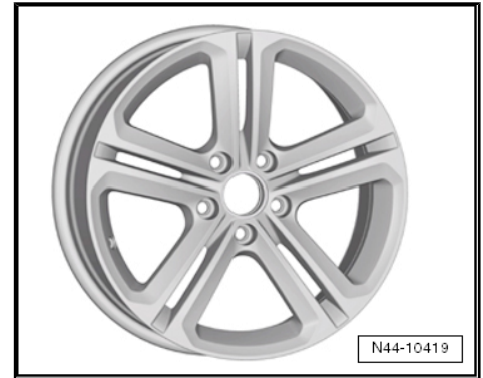
*Observe the allocation of wheels and tyres to the respective engines, which are listed in the overview table ⇒ page 227.*



**5K0 601 025 N - Wheel and tyre combination ⇒ page 232**

Only vehicles with sports running gear

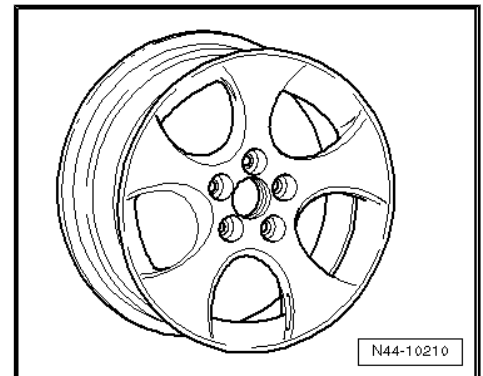
Size:	7 <sup>1</sup> / <sub>2</sub> J x 17
Wheel offset in mm:	51
Wheel load in kg:	630



**1K0 601 025 AC - Wheel and tyre combination ⇒ page 232**

Only vehicles with sports running gear

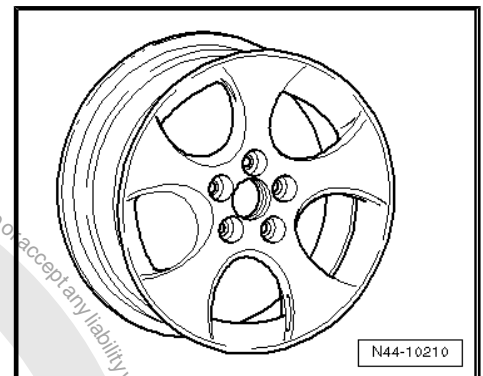
Size:	7 <sup>1</sup> / <sub>2</sub> J x 17
Wheel offset in mm:	51
Wheel load in kg:	615



**1K0 601 025 BB - Wheel and tyre combination ⇒ page 232**

Only vehicles with sports running gear

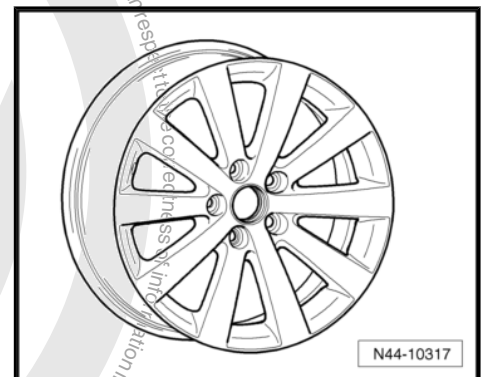
Size:	7 <sup>1</sup> / <sub>2</sub> J x 17
Wheel offset in mm:	51
Wheel load in kg:	615



**1K0 601 025 BK - Wheel and tyre combination ⇒ page 232**

Only vehicles with sports running gear

Size:	7 <sup>1</sup> / <sub>2</sub> J x 17
Wheel offset in mm:	51
Wheel load in kg:	615



**28.4.7 7<sup>1</sup>/<sub>2</sub> J x 18**

**Caution**

*Observe the allocation of wheels and tyres to the respective engines, which are listed in the overview table ⇒ page 227 .*



**Caution**

*7<sup>1</sup>/<sub>2</sub> J x 18 wheels can only be fitted under the following conditions:*

- *Wheel housing extensions (flaps) ⇒ [page 4](#) must be fitted on the rear axle ⇒ Electronic parts catalogue „ETKA“ - with the exception of Germany, where trims may be left off with TÜV examination No. 3417/05.*

**5K0 601 025 H - Wheel and tyre combination ⇒ [page 228](#)**

Only for vehicles with sports running gear and rear axle camber of -1°45'

Size:	7 <sup>1</sup> / <sub>2</sub> J x 18
Wheel offset in mm:	51
Wheel load in kg:	630



**5K0 601 025 L - Wheel and tyre combination ⇒ [page 228](#)**

Only for vehicles with sports running gear and rear axle camber of -1°45'

Size:	7 <sup>1</sup> / <sub>2</sub> J x 18
Wheel offset in mm:	51
Wheel load in kg:	615



**5K0 601 025 P - Wheel and tyre combination ⇒ [page 228](#)**

Only for vehicles with sports running gear and rear axle camber of -1°45'

Size:	7 <sup>1</sup> / <sub>2</sub> J x 18
Wheel offset in mm:	51
Wheel load in kg:	630





**5K0 601 025 AC - Wheel and tyre combination ⇒ page 228**

Only for vehicles with sports running gear and rear axle camber of -1°45'

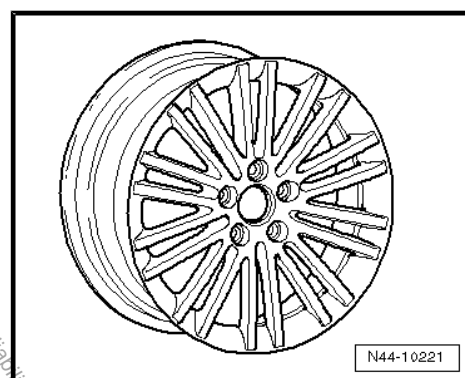
Size:	7 <sup>1</sup> / <sub>2</sub> J x 18
Wheel offset in mm:	51
Wheel load in kg:	630



**1K0 601 025 AD - Wheel and tyre combination ⇒ page 228**

Only for vehicles with sports running gear and rear axle camber of -1°45'

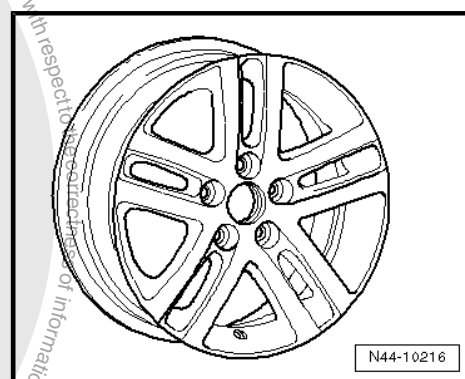
Size:	7 <sup>1</sup> / <sub>2</sub> J x 18
Wheel offset in mm:	51
Wheel load in kg:	630



**1K0 601 025 AG - Wheel and tyre combination ⇒ page 228**

Only for vehicles with sports running gear and rear axle camber of -1°45'

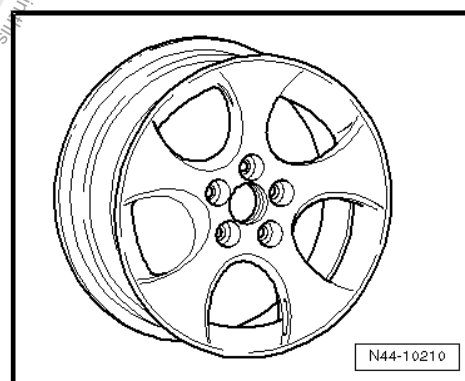
Size:	7 <sup>1</sup> / <sub>2</sub> J x 18
Wheel offset in mm:	51
Wheel load in kg:	630



**1K0 601 025 AH - Wheel and tyre combination ⇒ page 228**

Only for vehicles with sports running gear and rear axle camber of -1°45'

Size:	7 <sup>1</sup> / <sub>2</sub> J x 18
Wheel offset in mm:	51
Wheel load in kg:	615

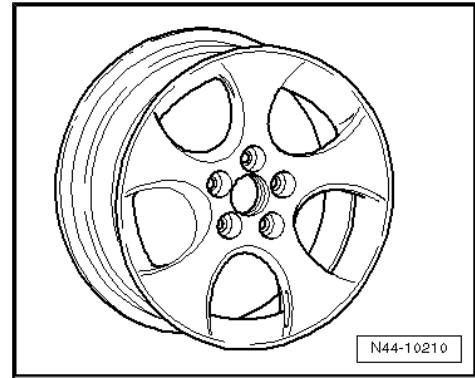




**1K0 601 025 AM - Wheel and tyre combination ⇒ page 228**

Only for vehicles with sports running gear and rear axle camber of  $-1^{\circ}45'$

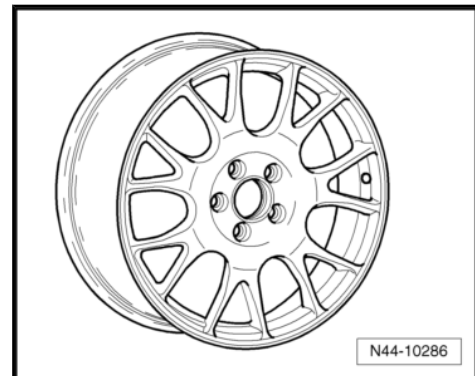
Size:	7 <sup>1</sup> / <sub>2</sub> J x 18
Wheel offset in mm:	51
Wheel load in kg:	615



**1K0 601 025 AT, 1K0 601 025 CC - Wheel and tyre combination ⇒ page 228**

Only for vehicles with sports running gear and rear axle camber of  $-1^{\circ}45'$

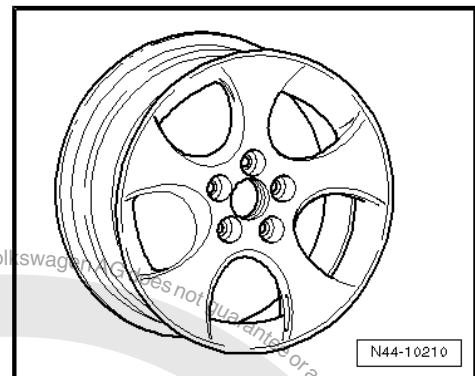
Size:	7 <sup>1</sup> / <sub>2</sub> J x 18
Wheel offset in mm:	51
Wheel load in kg:	615



**1K0 601 025 BA - Wheel and tyre combination ⇒ page 228**

Only for vehicles with sports running gear and rear axle camber of  $-1^{\circ}45'$

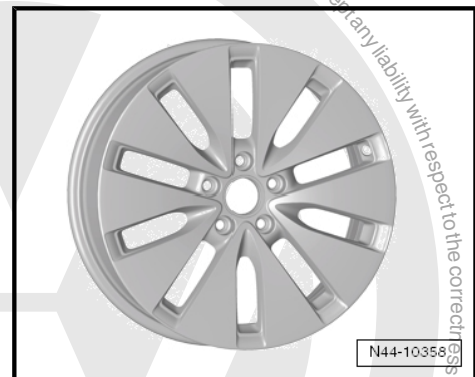
Size:	7 <sup>1</sup> / <sub>2</sub> J x 18
Wheel offset in mm:	51
Wheel load in kg:	615



**1K0 601 025 BE - Wheel and tyre combination ⇒ page 228**

Only for vehicles with sports running gear and rear axle camber of  $-1^{\circ}45'$

Size:	7 <sup>1</sup> / <sub>2</sub> J x 18
Wheel offset in mm:	51
Wheel load in kg:	615



Protected by copyright. Copying for private or commercial purposes, in part or in whole, is not permitted unless authorised by Volkswagen AG. Volkswagen AG does not warrant or accept any liability with respect to the correctness of information in this document. Copyright by Volkswagen AG.

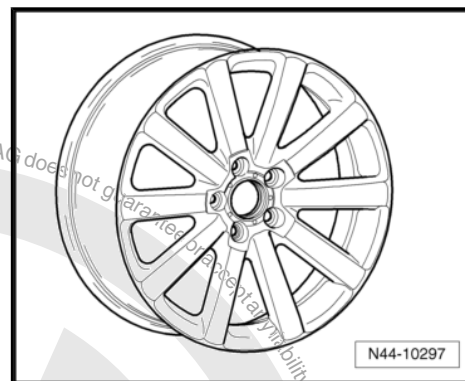




1K0 601 025 BL - Wheel and tyre combination ⇒ [page 228](#)

Only for vehicles with sports running gear and rear axle camber of -1°45'

Size:	7 1/2 J x 18
Wheel offset in mm:	51
Wheel load in kg:	615



Protected by copyright. Copying for private or commercial purposes, in part or in whole, is not permitted unless authorised by Volkswagen AG. Volkswagen AG does not guarantee the correctness of information in this document. Copyright by Volkswagen AG.



## 29 Jetta BlueMotion from Model year 2008

### General

Volkswagen vehicles are built according to the latest findings in safety engineering. To keep it that way, we recommend the use of only genuine Volkswagen spare parts. You can recognise this by the VW Audi logo and by the part number. It has been established that these parts are reliable, safe and suitable.

Despite constant appraisal of the market, we cannot assess other products on these points, even when in isolated cases they have been passed by official inspectors or have been granted official approval. Therefore, we cannot, of course, assume any liability if these products are installed.



#### WARNING

*The products from Volkswagen genuine parts and Votex genuine accessories may differ in fitting requirements, torque specifications and so on.*

*Always follow the respective fitting and operating instructions.*

The wheel and tyre combinations or changes listed in the vehicle tables refer exclusively to Volkswagen Genuine wheels. Approval of wheel and tyre combinations or a change to wheels from the accessories trade is not possible with the certificate statement attached here.



#### WARNING

*The fitting instructions and torque specifications for wheels from Votex genuine accessories may differ from those intended for wheels from Volkswagen genuine parts.*

*Therefore, always observe the torque settings for the wheel bolts as well as the respective fitting and operating instructions.*

### 29.1 Jetta BlueMotion, type 1KM model year 2008 to model year 2011

Appendix to certificate statement 8106803334

The certificate statement can be found on the Volkswagen ServiceNet under Accessories/Tyres, Wheels and Tyres, Wheels and Tyres Guide.

Type Approval No.: e1\*2001/116\*0328\*11 to e1\*2001/116\*0328\*18

#### Overview

Model engine output	Tyres	Tyre size	Wheel rim	Offset in mm	Snow chains	Remarks
1.9l 77 kW TDI diesel engine	Standard tyres	195/65 R 15 91T	6 J x 15 ⇒ <a href="#">page 257</a>	47	Yes	General information on: ◆ Winter tyres ⇒ <a href="#">page 14</a> ◆ Snow chains ⇒ <a href="#">page 17</a>



Model engine output	Tyres	Tyre size	Wheel rim	Off-set in mm	Snow chains	Remarks
	Modification	195/65 R 15 91H/V	6 J x 15 ⇒ <a href="#">page 257</a>	47	Yes	Tyre makes recommended by Volkswagen: ♦ Summer tyres ⇒ <a href="#">page 507</a> ♦ Winter tyres ⇒ <a href="#">page 534</a>
		195/65 R 15 91T/H/V	6 1/2 J x 15 ⇒ <a href="#">page 258</a>	50	Yes	
		205/60 R 15 91T/H/V	6 J x 15 ⇒ <a href="#">page 257</a>	47	Yes	
		205/55 R 16 91T/H/V/ W	6 1/2 J x 16 ⇒ <a href="#">page 260</a>	50	No	
	Winter tyres	195/65 R 15 91Q/T/H	6 J x 15 ⇒ <a href="#">page 257</a>	47	Yes	
		205/55 R 16 91Q/T/H	6 J x 16 ⇒ <a href="#">page 259</a>	50	Yes	

Tyre inflation pressures are located on a sticker in fuel tank flap or in ⇒ Maintenance ; Booklet ; Check tyres: condition, profile, inflation pressure, depth of tread .

## 29.2 Wheel allocation for Jetta BlueMotion, type 1KM model year 2008 to model year 2011

Explanation of information on wheels ⇒ [page 58](#)

Torque settings for wheel bolts ⇒ Running gear, axles, steering;  
Rep. gr. 44; Torque settings for fitting wheels

Pitch circle diameter: 112 mm

Number of wheel bolt holes: 5

### 29.2.1 6 J x 15



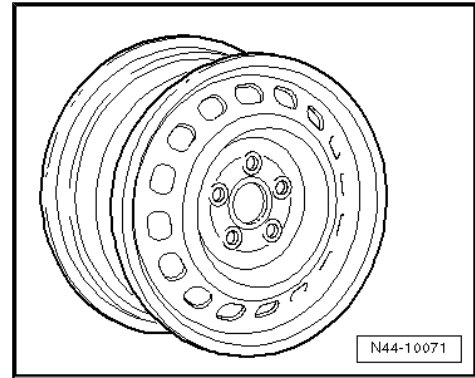
#### Caution

**Observe the allocation of wheels and tyres to the respective engines, which are listed in the overview table ⇒ [page 256](#) .**



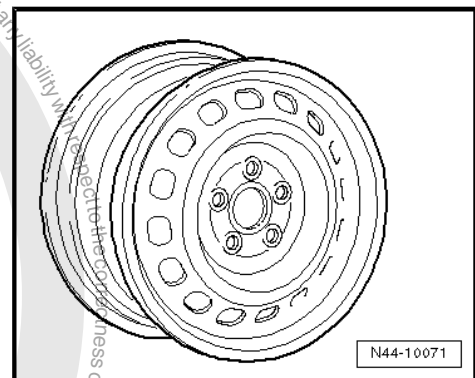
**1K0 601 027 C, 1K0 601 027 H - Wheel and tyre combination**  
⇒ [page 256](#)

Size:	6 J x 15
Wheel offset in mm:	47
Wheel load in kg:	615



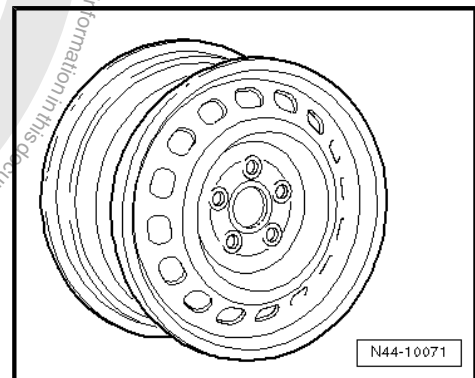
**1K0 601,027 T - Wheel and tyre combination** ⇒ [page 256](#)

Size:	6 J x 15
Wheel offset in mm:	47
Wheel load in kg:	615



**2K0 601 027 - Wheel and tyre combination** ⇒ [page 256](#)

Size:	6 J x 15
Wheel offset in mm:	47
Wheel load in kg:	650



**29.2.2 6<sup>1</sup>/<sub>2</sub> J x 15**

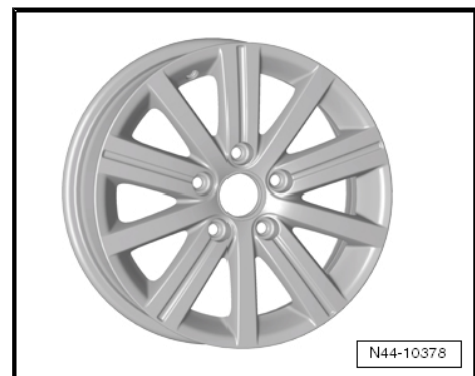


**Caution**

*Observe the allocation of wheels and tyres to the respective engines, which are listed in the overview table ⇒ [page 256](#) .*

**5k0 601 025 J - Wheel and tyre combination** ⇒ [page 257](#)

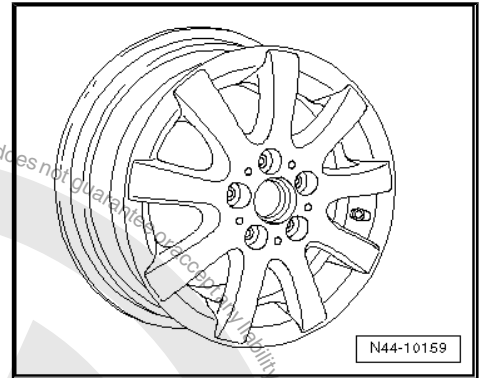
Size:	6 <sup>1</sup> / <sub>2</sub> J x 15
Wheel offset in mm:	50
Wheel load in kg:	600





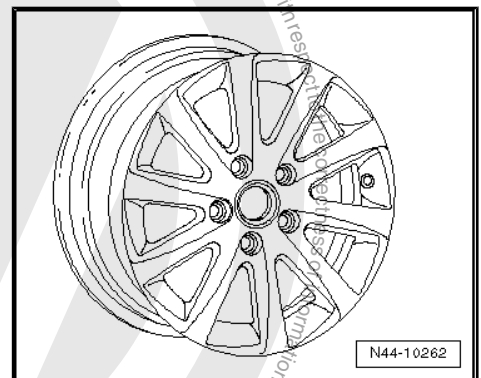
**1K0 601,025 A - Wheel and tyre combination ⇒ page 257**

Size:	6 <sup>1</sup> / <sub>2</sub> J x 15
Wheel offset in mm:	50
Wheel load in kg:	600



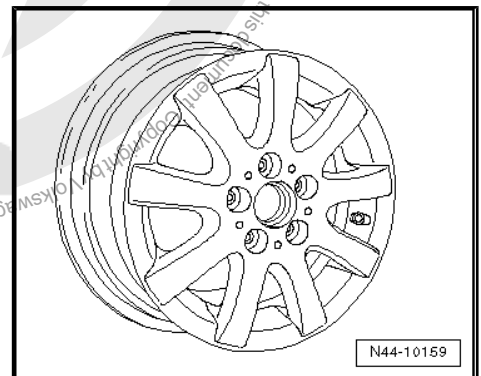
**1K0 601 025 AK - Wheel and tyre combination ⇒ page 257**

Size:	6 <sup>1</sup> / <sub>2</sub> J x 15
Wheel offset in mm:	50
Wheel load in kg:	600



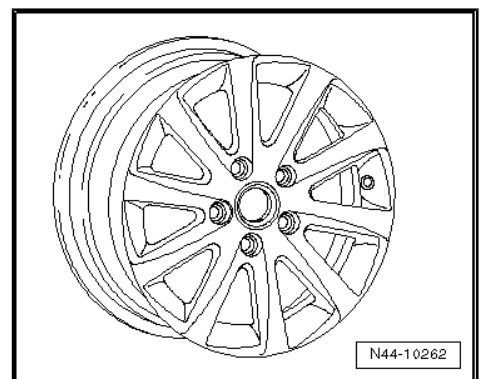
**1K0 601 025 AQ - Wheel and tyre combination ⇒ page 257**

Size:	6 <sup>1</sup> / <sub>2</sub> J x 15
Wheel offset in mm:	50
Wheel load in kg:	600



**1K0 601 025 CA - Wheel and tyre combination ⇒ page 257**

Size:	6 <sup>1</sup> / <sub>2</sub> J x 15
Wheel offset in mm:	50
Wheel load in kg:	600



**29.2.3 6 J x 16**



**Caution**

*Observe the allocation of wheels and tyres to the respective engines, which are listed in the overview table ⇒ page 256 .*



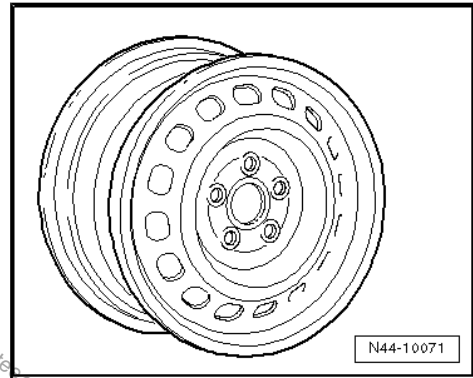
### Winter wheels

#### 8P0 601 027 - Wheel and tyre combination ⇒ [page 257](#)

Size:	6 J x 16
Wheel offset in mm:	50
Wheel load in kg:	600

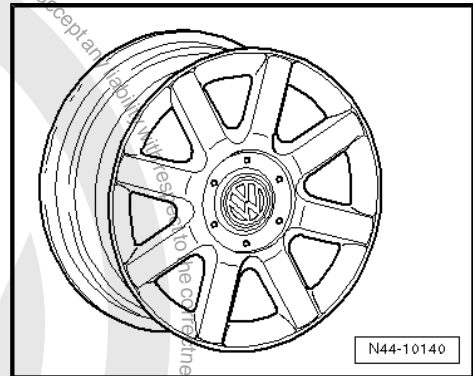
Use the following wheel bolt caps for wheel bolts:

- ◆ 1K0.601.173 (4 per wheel)
- ◆ 1K0.601.173.A (1 per wheel)



#### 1K0 601 025 Q - Wheel and tyre combination ⇒ [page 257](#)

Size:	6 J x 16 EH2 ⇒ <a href="#">page 58</a>
Wheel offset in mm:	50
Wheel load in kg:	615



### 29.2.4 6<sup>1</sup>/<sub>2</sub> J x 16

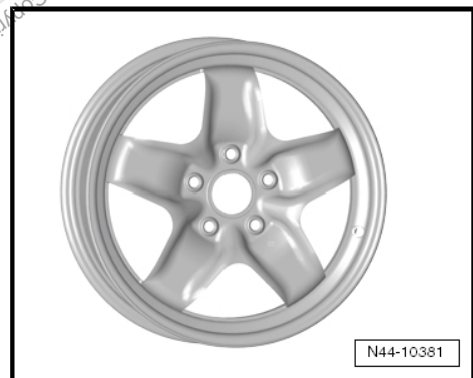


#### Caution

*Observe the allocation of wheels and tyres to the respective engines, which are listed in the overview table ⇒ [page 256](#) .*

#### 5K0 601 027 - Wheel and tyre combination ⇒ [page 257](#)

Size:	6 <sup>1</sup> / <sub>2</sub> J x 16
Wheel offset in mm:	50
Wheel load in kg:	615





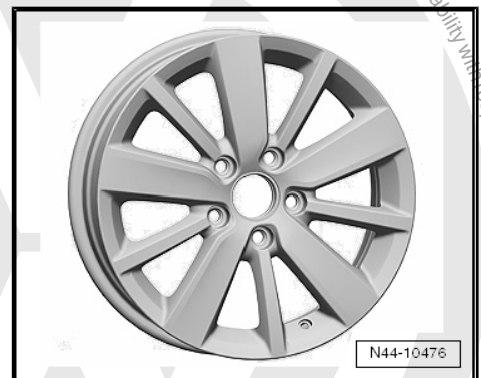
**5K0 601 025 E - Wheel and tyre combination ⇒ page 257**

Size:	6 <sup>1</sup> / <sub>2</sub> J x 16
Wheel offset in mm:	50
Wheel load in kg:	615



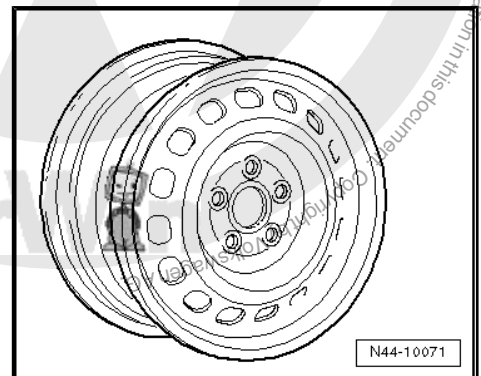
**5K0 601 025 S - Wheel and tyre combination ⇒ page 257**

Size:	6 <sup>1</sup> / <sub>2</sub> J x 16
Wheel offset in mm:	50
Wheel load in kg:	615



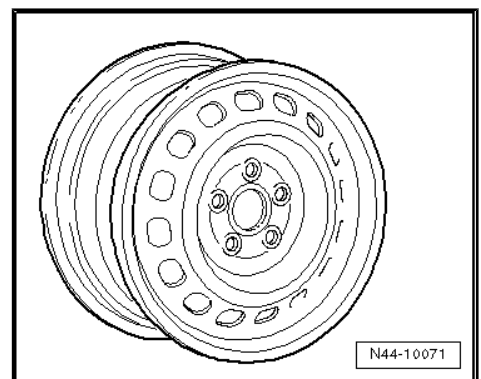
**1K0 601 027 A, 1K0 601 027 AK - Wheel and tyre combination ⇒ page 257**

Size:	6 <sup>1</sup> / <sub>2</sub> J x 16
Wheel offset in mm:	50
Wheel load in kg:	615



**1K0 601 027 J - Wheel and tyre combination ⇒ page 257**

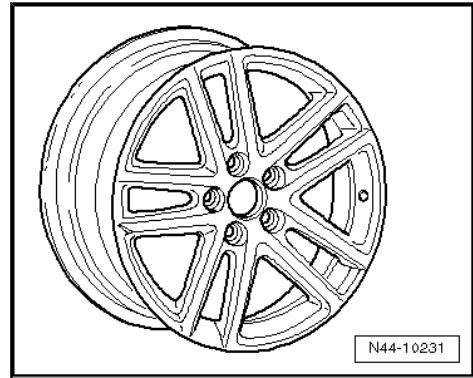
Size:	6 <sup>1</sup> / <sub>2</sub> J x 16
Wheel offset in mm:	50
Wheel load in kg:	615





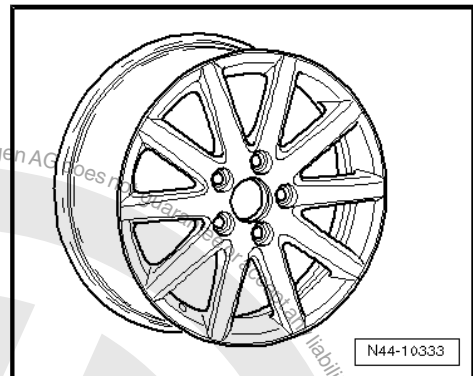
**1K0 601 025 AJ - Wheel and tyre combination ⇒ [page 257](#)**

Size:	6 <sup>1</sup> / <sub>2</sub> J x 16
Wheel offset in mm:	50
Wheel load in kg:	615



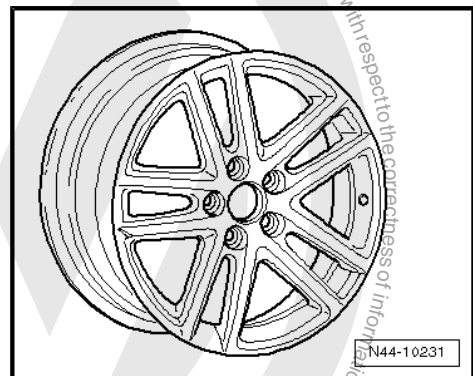
**1K0 601 025 BC - Wheel and tyre combination ⇒ [page 257](#)**

Size:	6 <sup>1</sup> / <sub>2</sub> J x 16
Wheel offset in mm:	50
Wheel load in kg:	615



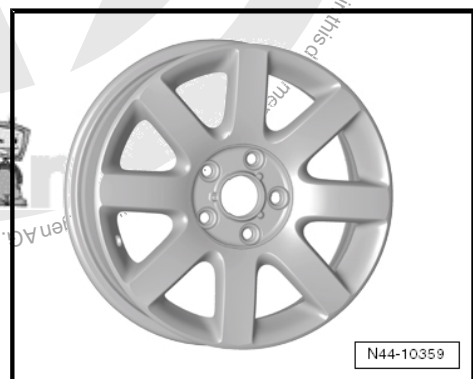
**1K0 601 025 BM - Wheel and tyre combination ⇒ [page 257](#)**

Size:	6 <sup>1</sup> / <sub>2</sub> J x 16
Wheel offset in mm:	50
Wheel load in kg:	615



**1K0 601 025 BR - Wheel and tyre combination ⇒ [page 257](#)**

Size:	6 <sup>1</sup> / <sub>2</sub> J x 16
Wheel offset in mm:	50
Wheel load in kg:	615

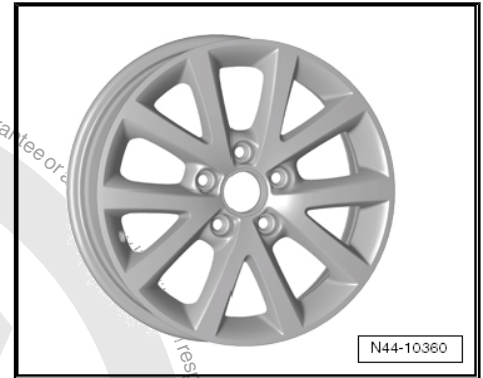






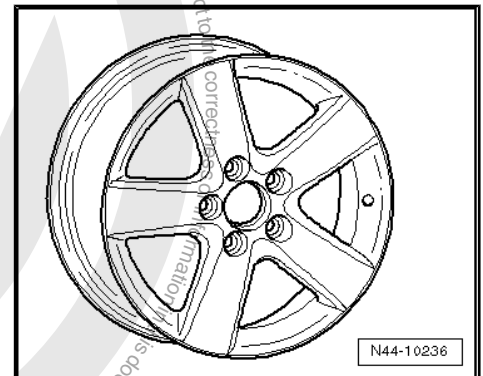
**1K0 601 025 BS, 1K0 601 025 CH - Wheel and tyre combination**  
⇒ [page 257](#)

Size:	6 <sup>1</sup> / <sub>2</sub> J x 16
Wheel offset in mm:	50
Wheel load in kg:	615



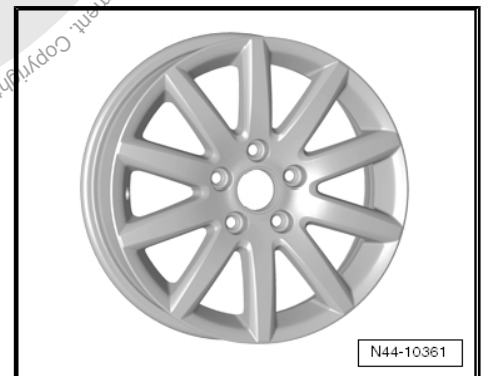
**1K0 601 025 CB - Wheel and tyre combination** ⇒ [page 257](#)

Size:	6 <sup>1</sup> / <sub>2</sub> J x 16
Wheel offset in mm:	50
Wheel load in kg:	615



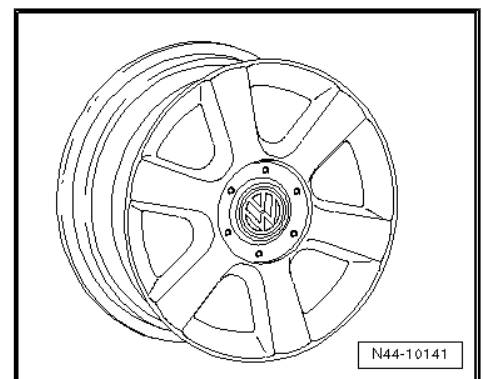
**1K0 601 025 CG - Wheel and tyre combination** ⇒ [page 257](#)

Size:	6 <sup>1</sup> / <sub>2</sub> J x 16
Wheel offset in mm:	50
Wheel load in kg:	615



**1T0 601 025 C - Wheel and tyre combination** ⇒ [page 257](#)

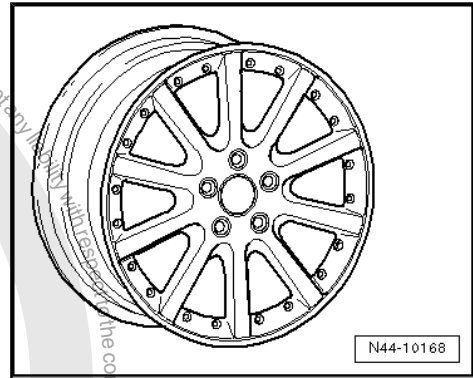
Size:	6 <sup>1</sup> / <sub>2</sub> J x 16
Wheel offset in mm:	50
Wheel load in kg:	615





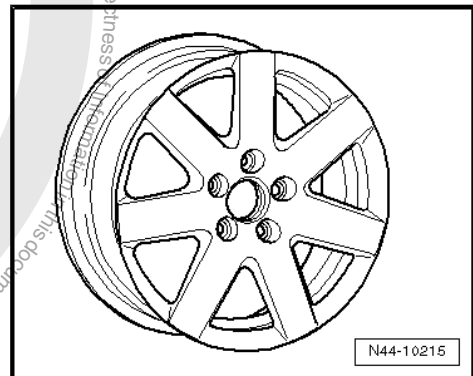
**1K0 601 025 F - Wheel and tyre combination ⇒ [page 257](#)**

Size:	6 <sup>1</sup> / <sub>2</sub> J x 16
Wheel offset in mm:	50
Wheel load in kg:	615



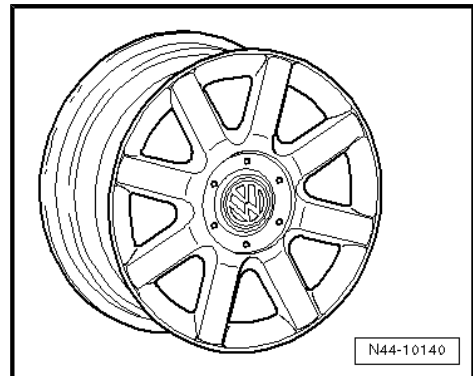
**1K0 601 025 P - Wheel and tyre combination ⇒ [page 257](#)**

Size:	6 <sup>1</sup> / <sub>2</sub> J x 16
Wheel offset in mm:	50
Wheel load in kg:	615



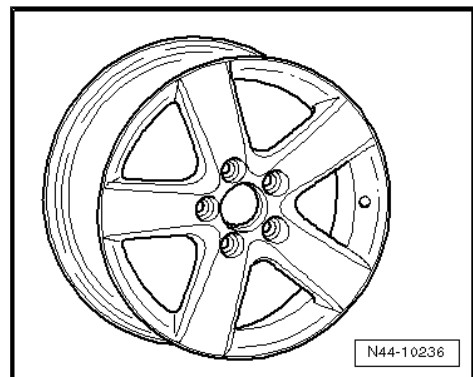
**1K0 601 025 R - Wheel and tyre combination ⇒ [page 257](#)**

Size:	6 <sup>1</sup> / <sub>2</sub> J x 16
Wheel offset in mm:	50
Wheel load in kg:	615



**1T0 601 025 G, 1T0 601 025 K - Wheel and tyre combination  
⇒ [page 257](#)**

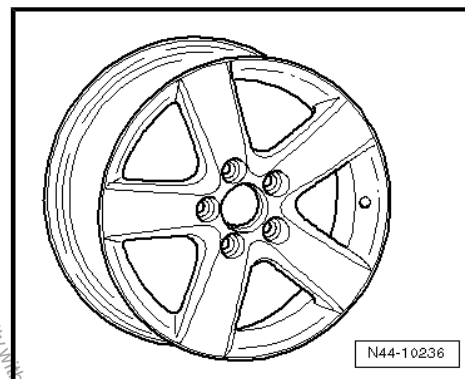
Size:	6 <sup>1</sup> / <sub>2</sub> J x 16
Wheel offset in mm:	50
Wheel load in kg:	615





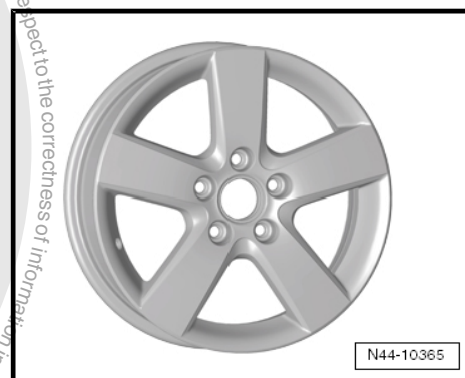
**1T0 601 025 M - Wheel and tyre combination ⇒ [page 257](#)**

Size:	6 <sup>1</sup> / <sub>2</sub> J x 16
Wheel offset in mm:	50
Wheel load in kg:	615



**1T0 601 025 R - Wheel and tyre combination ⇒ [page 257](#)**

Size:	6 <sup>1</sup> / <sub>2</sub> J x 16
Wheel offset in mm:	50
Wheel load in kg:	615



Protected by copyright. Copying for private or commercial purposes, in part or in whole, is not permitted unless authorized by Volkswagen AG. Volkswagen AG does not guarantee or accept any liability with respect to the correctness of information in this document. Copyright by Volkswagen AG.





## 30 New Beetle from model year 1999

### General

Volkswagen vehicles are built according to the latest findings in safety engineering. To keep it that way, we recommend the use of only genuine Volkswagen spare parts. You can recognise this by the VW Audi logo and by the part number. It has been established that these parts are reliable, safe and suitable.

Despite constant appraisal of the market, we cannot assess other products on these points, even when in isolated cases they have been passed by official inspectors or have been granted official approval. Therefore, we cannot, of course, assume any liability if these products are installed.



#### WARNING

*The products from Volkswagen genuine parts and Votex genuine accessories may differ in fitting requirements, torque specifications and so on.*

*Always follow the respective fitting and operating instructions.*

The wheel and tyre combinations or changes listed in the vehicle tables refer exclusively to Volkswagen Genuine wheels. Approval of wheel and tyre combinations or a change to wheels from the accessories trade is not possible with the parts certificate attached here.



#### WARNING

*The fitting instructions and torque specifications for wheels from Votex genuine accessories may differ from those intended for wheels from Volkswagen genuine parts.*

*Therefore, always observe the torque settings for the wheel bolts as well as the respective fitting and operating instructions.*

### 30.1 New Beetle, type 9C model year 1999 to model year 2010

Attachment to parts certificate 3808/09

The parts certificate can be found on the Volkswagen ServiceNet under Accessories/Tyres, Wheels and Tyres, Wheels and Tyres Guide.

Type approval number: e1\*97/27\*0106\*00

Type approval number: e1\*98/14\*0106\*01 to e1\*98/14\*0106\*13

Type approval number: e1\*2001/116\*0106\*14 to e1\*2001/116\*0106\*26

#### Overview

Model engine output	Tyres	Tyre size	Wheel rim	Off-set in mm	Snow chains	Remarks
1.4l 55 kW petrol engine	Standard tyres	195/65 R 15 91T	6 J x 15 ⇒ <a href="#">page 269</a>	38	Yes	General information on: ◆ Winter tyres ⇒ <a href="#">page 14</a> ◆ Snow chains ⇒ <a href="#">page 17</a>



Model engine output	Tyres	Tyre size	Wheel rim	Off-set in mm	Snow chains	Remarks
	Modification	205/55 R 16 91H	6 <sup>1</sup> / <sub>2</sub> J x 16 ⇒ <a href="#">page 272</a>	42	No	Tyre makes recommended by Volkswagen:  ♦ Summer tyres ⇒ <a href="#">page 497</a> ♦ All-season tyres ⇒ <a href="#">page 522</a> ♦ Winter tyres ⇒ <a href="#">page 530</a>
		225/45 R 17 91W	7 J x 17 ⇒ <a href="#">page 277</a>	38	No	
	Winter tyres	195/65 R 15 91Q/T	6 J x 15 ⇒ <a href="#">page 269</a>	38	Yes	
		205/55 R 16 91T/H	5 <sup>1</sup> / <sub>2</sub> J x 16 ⇒ <a href="#">page 271</a>	36	Yes	
1.9l 66 kW TDI	Standard tyres	195/65 R 15 91T	6 J x 15 ⇒ <a href="#">page 269</a>	38	Yes	The 225/45 R 17 tyre may be mounted on the 7 J x 17 or the 7 <sup>1</sup> / <sub>2</sub> J x 17 rim only if the listed conditions ⇒ <a href="#">page 280</a> are fulfilled!
	Modification	205/55 R 16 91H	6 <sup>1</sup> / <sub>2</sub> J x 16 ⇒ <a href="#">page 272</a>	42	No	
		225/45 R 17 91W	7 J x 17 ⇒ <a href="#">page 277</a>	38	No	
		225/45 R 17 91W	7 <sup>1</sup> / <sub>2</sub> J x 17 ⇒ <a href="#">page 280</a>	38	No	
	Winter tyres	195/65 R 15 91Q/T	6 J x 15 ⇒ <a href="#">page 269</a>	38	Yes	
		205/55 R 16 91T/H	5 <sup>1</sup> / <sub>2</sub> J x 16 ⇒ <a href="#">page 271</a>	36	Yes	
1.6l 74 kW; 2.0l 85 kW petrol engines	Standard tyres	195/65 R 15 91H	6 J x 15 ⇒ <a href="#">page 269</a>	38	Yes	The adhesive weights for balancing must be attached to the inner side of the rim of 6 <sup>1</sup> / <sub>2</sub> J x 16 aluminium wheels!
	Modification	205/55 R 16 91H	6 <sup>1</sup> / <sub>2</sub> J x 16 ⇒ <a href="#">page 272</a>	42	No	
		225/45 R 17 91W	7 J x 17 ⇒ <a href="#">page 277</a>	38	No	
		225/45 R 17 91W	7 <sup>1</sup> / <sub>2</sub> J x 17 ⇒ <a href="#">page 280</a>	38	No	



Model engine output	Tyres	Tyre size	Wheel rim	Off-set in mm	Snow chains	Remarks
	Winter tyres	195/65 R 15 91Q/T	6 J x 15 ⇒ <a href="#">page 269</a>	38	Yes	* From type approval number: e1*98/14*0106*04  * From type approval number: e1*98/14*0106*05
		205/55 R 16 91T/H	5 <sup>1</sup> / <sub>2</sub> J x 16 ⇒ <a href="#">page 271</a>	36	Yes	
1.6l 75 kW petrol engine* ⇒ <a href="#">page 268</a>  1.9l 74 kW** ⇒ <a href="#">page 268</a> ; 1.9l 77 kW diesel engine	Standard tyres	195/65 R15 91H	6 J x 15 ⇒ <a href="#">page 269</a>	38	Yes	
	Modification	195/65 R15 91T	6 J x 15 ⇒ <a href="#">page 269</a>	38	Yes	
		205/55 R 16 91H	6 <sup>1</sup> / <sub>2</sub> J x 16 ⇒ <a href="#">page 272</a>	42	No	
		225/45 R 17 91W	7 J x 17 ⇒ <a href="#">page 277</a>	38	No	
		225/45 R 17 91W	7 <sup>1</sup> / <sub>2</sub> J x 17 ⇒ <a href="#">page 280</a>	38	No	
	Winter tyres	195/65 R 15 91Q/T	6 J x 15 ⇒ <a href="#">page 269</a>	38	Yes	
205/55 R 16 91T/H		5 <sup>1</sup> / <sub>2</sub> J x 16 ⇒ <a href="#">page 271</a>	36	Yes		
1.8l 110 kW petrol engine	Standard tyres	195/65 R15 91V	6 J x 15 ⇒ <a href="#">page 269</a>	38	Yes	
	Modification	205/55 R 16 91V	6 <sup>1</sup> / <sub>2</sub> J x 16 ⇒ <a href="#">page 272</a>	42	No	
		225/45 R 17 91W	7 J x 17 ⇒ <a href="#">page 277</a>	38	No	
		225/45 R 17 91W	7 <sup>1</sup> / <sub>2</sub> J x 17 ⇒ <a href="#">page 280</a>	38	No	
	Winter tyres	195/65 R 15 91Q/T	6 J x 15 ⇒ <a href="#">page 269</a>	38	Yes	
		205/55 R 16 91T/H	5 <sup>1</sup> / <sub>2</sub> J x 16 ⇒ <a href="#">page 271</a>	36	Yes	
2.3l 125 kW petrol engine	Standard tyres	205/55 R 16 91W	6 <sup>1</sup> / <sub>2</sub> J x 16 ⇒ <a href="#">page 272</a>	42	No	
	Modification	205/55 R 16 91V	6 <sup>1</sup> / <sub>2</sub> J x 16 ⇒ <a href="#">page 272</a>	42	No	
		225/45 R 17 91W	7 J x 17 ⇒ <a href="#">page 277</a>	38	No	



Model engine output	Tyres	Tyre size	Wheel rim	Off-set in mm	Snow chains	Remarks
		225/45 R 17 91W	7 1/2 J x 17 ⇒ <a href="#">page 280</a>	38	No	*** Snow chains: Only the listed snow chains are permissible! Article No. ⇒ <a href="#">page 269</a>
	Winter tyres	205/55 R 16 91T/H	5 1/2 J x 16 ⇒ <a href="#">page 271</a>	36	Yes*** ⇒ <a href="#">page 269</a>	

Tyre inflation pressures are located on a sticker in fuel tank flap or in ⇒ Maintenance ; Booklet ; Check tyres: condition, profile, inflation pressure, depth of tread .

### Approved snow chains for New Beetle 2.3l 125 kW

The following snow chains are only permissible in combination with the adjacent wheel and tyre combination!

Chain manufacturer Item no.	Accessory part number	Tyre size	Wheel rim	Part no.
Rud 460 22	000 091 386 D	205/55 R 16 91T/H	5 1/2 J x 16 offset 36	1J0 601 025 M 1J0 601 025 AF 1J0 601 025 AP
Ottinger 100 905	-			

## 30.2 Wheel allocation for New Beetle, type 9C model year 1999 to model year 2010

Explanation of information on wheels ⇒ [page 58](#)

Torque settings for wheel bolts ⇒ Running gear, axles, steering; Rep. gr. 44 ; Torque settings for wheel bolts

Pitch circle diameter: 100 mm

Number of wheel bolt holes: 5

### 30.2.1 6 J x 15



#### Caution

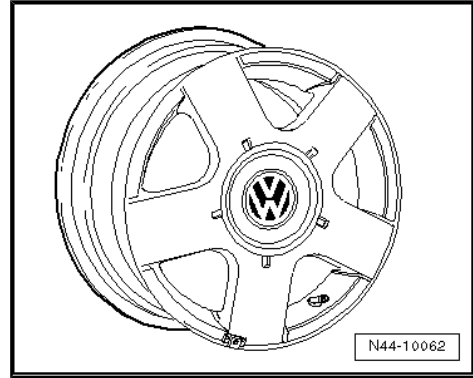
**Observe the allocation of wheels and tyres to the respective engines, which are listed in the overview table ⇒ [page 266](#) .**



**1J0 601 025 B, 1J0 601 025 AA - Wheel and tyre combination**  
⇒ [page 266](#)

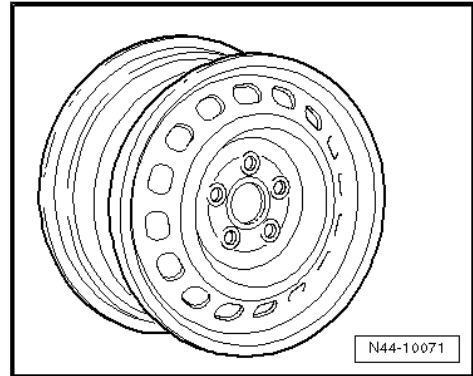
For vehicles with maximum permitted axle load of 1,000 kg

Size:	6 J x 15
Wheel offset in mm:	38
Wheel load in kg:	500



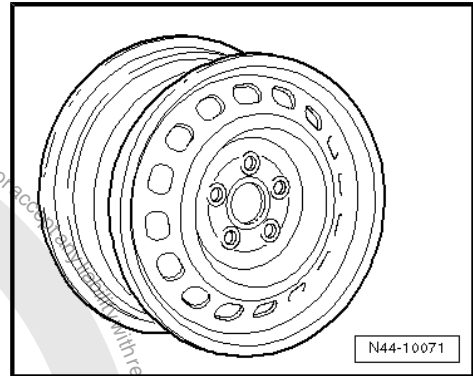
**1J0 601 027 K - Wheel and tyre combination** ⇒ [page 266](#)

Size:	6 J x 15
Wheel offset in mm:	38
Wheel load in kg:	550



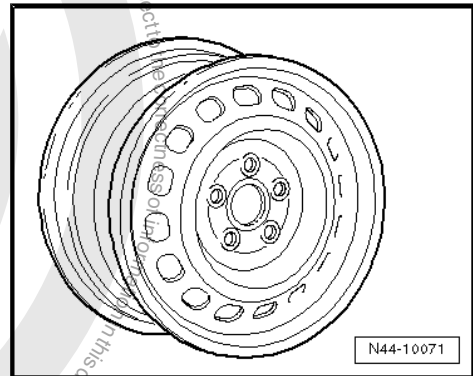
**1J0 601 027 H, 1J0 601 027 Q - Wheel and tyre combination**  
⇒ [page 266](#)

Size:	6 J x 15
Wheel offset in mm:	38
Wheel load in kg:	550



**1J0 601 027 AB - Wheel and tyre combination** ⇒ [page 266](#)

Size:	6 J x 15
Wheel offset in mm:	38
Wheel load in kg:	550

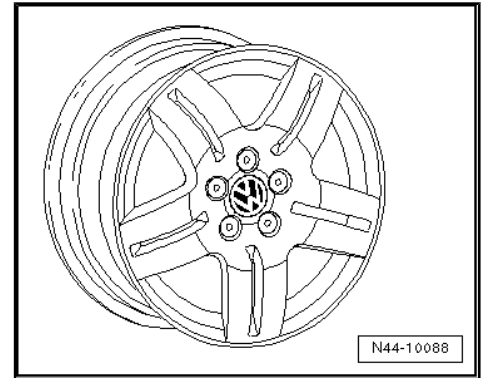






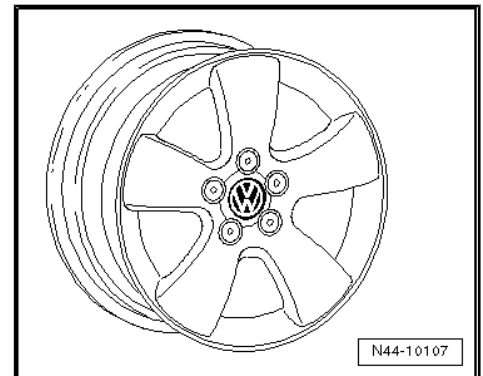
**1J0 601 025 Q - Wheel and tyre combination ⇒ page 266**

Size:	6 J x 15
Wheel offset in mm:	38
Wheel load in kg:	530



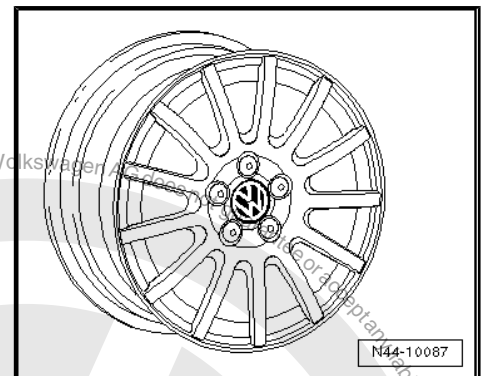
**1C0 601 025 F - Wheel and tyre combination ⇒ page 266**

Size:	6 J x 15
Wheel offset in mm:	38
Wheel load in kg:	550



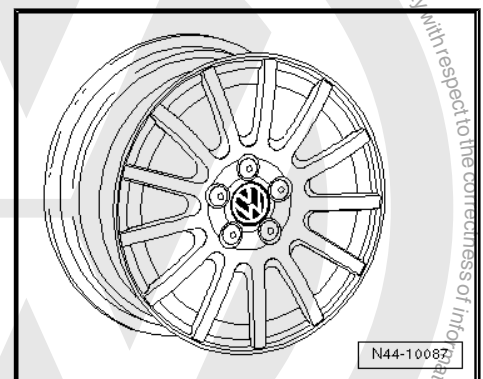
**1J0 601 025 P, 1J0 601 025 AL - Wheel and tyre combination ⇒ page 266**

Size:	6 J x 15
Wheel offset in mm:	38
Wheel load in kg:	550



**1J0 601 025 BD - Wheel and tyre combination ⇒ page 266**

Size:	6 J x 15
Wheel offset in mm:	38
Wheel load in kg:	580



**30.2.2 5 1/2 J x 16**



**Caution**

*Observe the allocation of wheels and tyres to the respective engines, which are listed in the overview table ⇒ page 266 .*

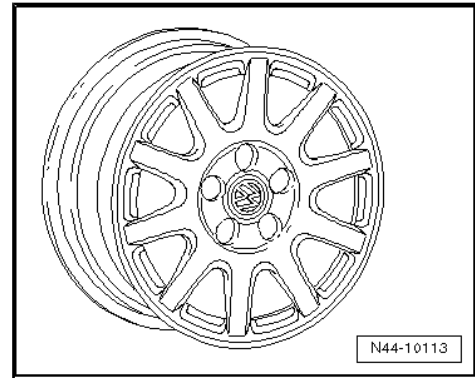




**Winter wheels**

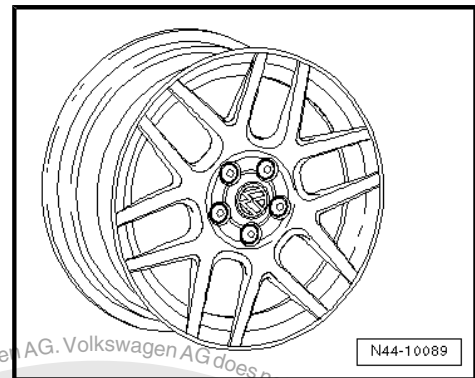
1J0 601 025 M, 1J0 601 025 AF - Wheel and tyre combination  
⇒ [page 267](#)

Size:	5 <sup>1</sup> / <sub>2</sub> J x 16
Wheel offset in mm:	36
Wheel load in kg:	550



1J0 601 025 AP - Wheel and tyre combination ⇒ [page 267](#)

Size:	5 <sup>1</sup> / <sub>2</sub> J x 16
Wheel offset in mm:	36
Wheel load in kg:	550



**30.2.3 6<sup>1</sup>/<sub>2</sub> J x 16**



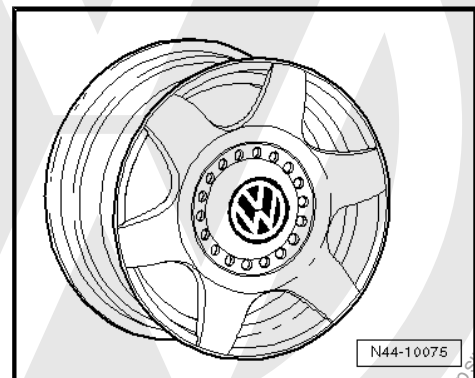
**Caution**

*Observe the allocation of wheels and tyres to the respective engines, which are listed in the overview table ⇒ [page 266](#).*

1C0 601 025 A, 1C0 601 025 D - Wheel and tyre combination  
⇒ [page 267](#)

For vehicles with maximum permitted axle load of 1,000 kg

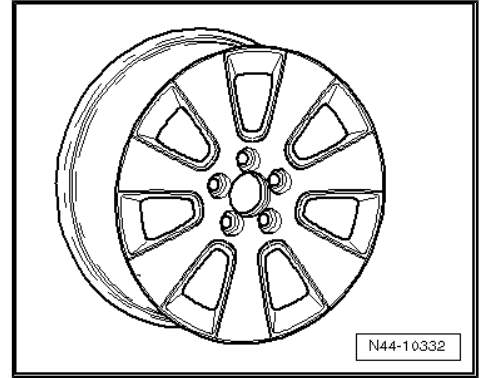
Size:	6 <sup>1</sup> / <sub>2</sub> J x 16
Wheel offset in mm:	42
Wheel load in kg:	500





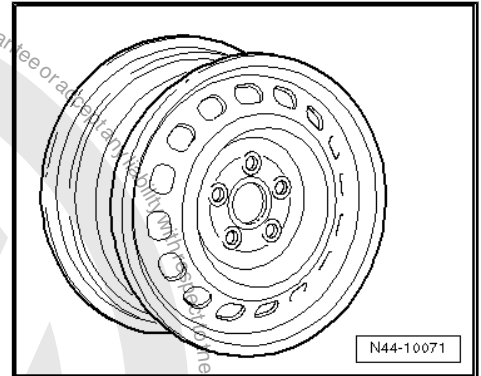
**1C0 601 025 AH - Wheel and tyre combination ⇒ page 267**

Size:	6 <sup>1</sup> / <sub>2</sub> J x 16
Wheel offset in mm:	42
Wheel load in kg:	550



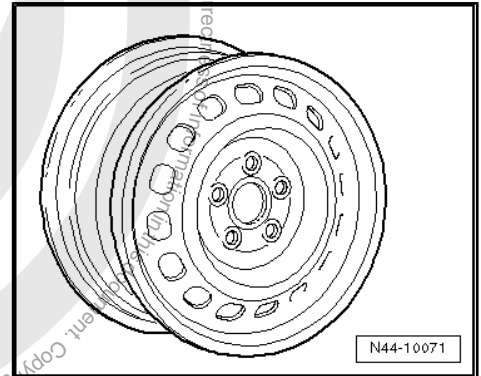
**1J0 601 027 L, 1J0 601 027 R - Wheel and tyre combination ⇒ page 267**

Size:	6 <sup>1</sup> / <sub>2</sub> J x 16
Wheel offset in mm:	42
Wheel load in kg:	550



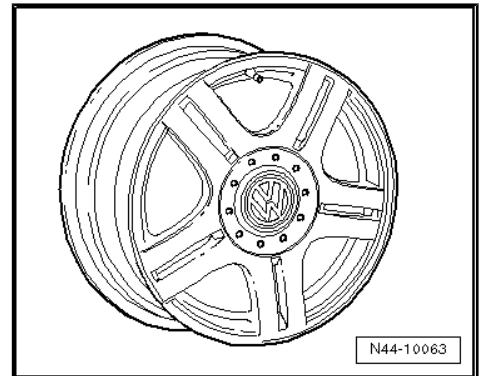
**1J0 601 027 T, 1J0 601 027 AF - Wheel and tyre combination ⇒ page 267**

Size:	6 <sup>1</sup> / <sub>2</sub> J x 16
Wheel offset in mm:	42
Wheel load in kg:	550



**1J0 601 025 F, 1J0 601 025 AC - Wheel and tyre combination ⇒ page 267**

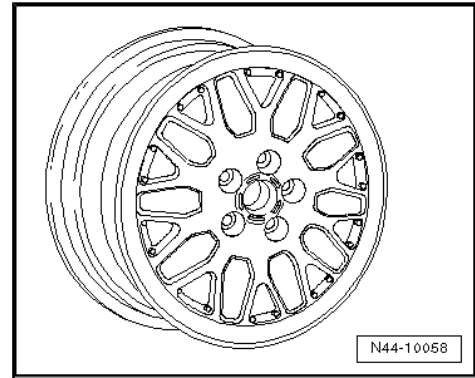
Size:	6 <sup>1</sup> / <sub>2</sub> J x 16
Wheel offset in mm:	42
Wheel load in kg:	530





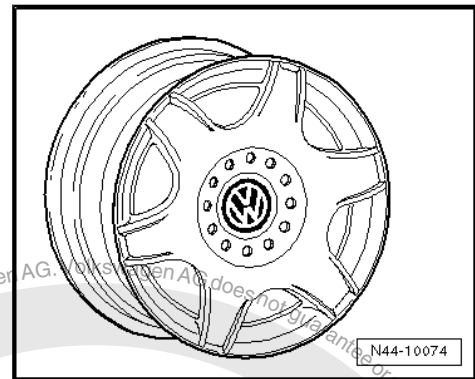
**1J0 601 025 E, 1J0 601 025 AD - Wheel and tyre combination**  
⇒ [page 267](#)

Size:	6 <sup>1</sup> / <sub>2</sub> J x 16
Wheel offset in mm:	42
Wheel load in kg:	530



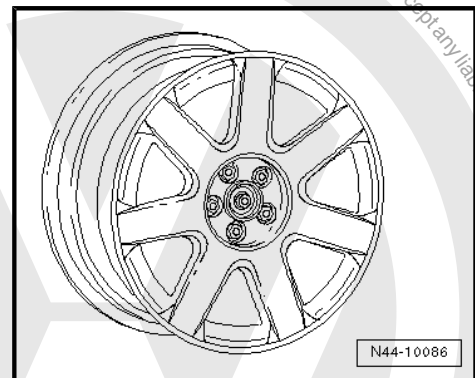
**1J0 601 025 H, 1J0 601 025 AH - Wheel and tyre combination**  
⇒ [page 267](#)

Size:	6 <sup>1</sup> / <sub>2</sub> J x 16
Wheel offset in mm:	42
Wheel load in kg:	530



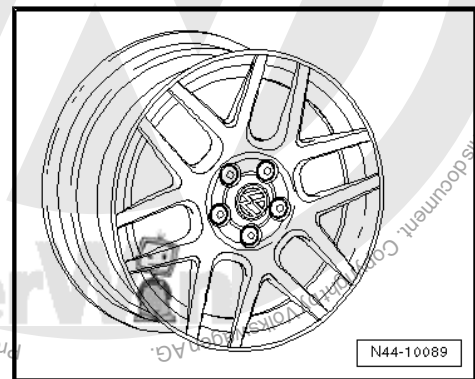
**1J0 601 025 L, 1J0 601 025 AE - Wheel and tyre combination**  
⇒ [page 267](#)

Size:	6 <sup>1</sup> / <sub>2</sub> J x 16
Wheel offset in mm:	42
Wheel load in kg:	550



**1J0 601 025 R, 1J0 601 025 AN - Wheel and tyre combination**  
⇒ [page 267](#)

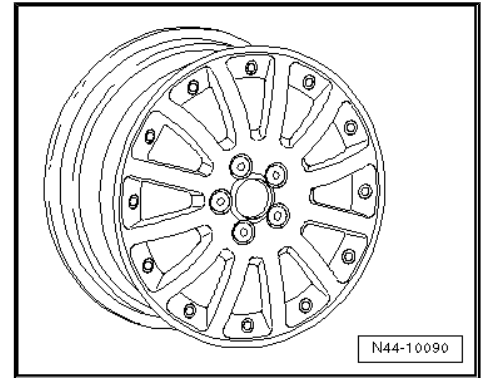
Size:	6 <sup>1</sup> / <sub>2</sub> J x 16
Wheel offset in mm:	42
Wheel load in kg:	550





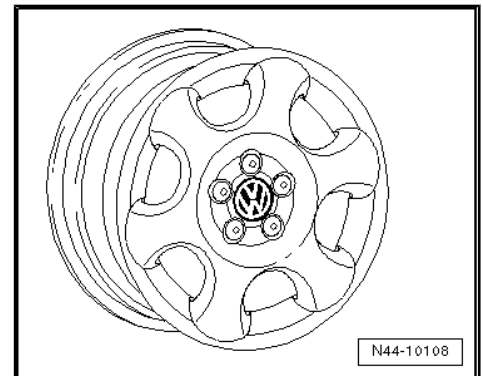
**1J0 601 025 T, 1J0 601 025 AJ - Wheel and tyre combination**  
⇒ [page 267](#)

Size:	6 <sup>1</sup> / <sub>2</sub> J x 16
Wheel offset in mm:	42
Wheel load in kg:	550



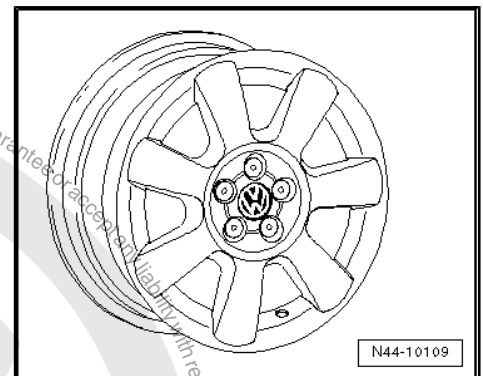
**1C0 601 025 G, 1C0 601 025 AA - Wheel and tyre combination**  
⇒ [page 267](#)

Size:	6 <sup>1</sup> / <sub>2</sub> J x 16
Wheel offset in mm:	42
Wheel load in kg:	550



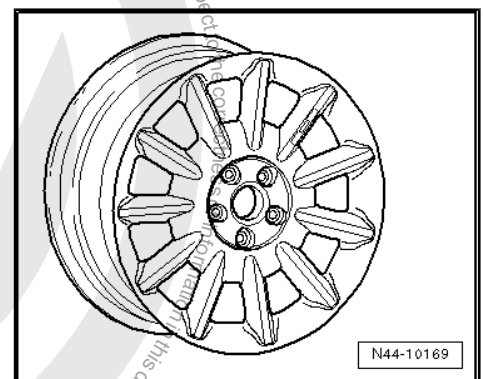
**1C0 601 025 H - Wheel and tyre combination** ⇒ [page 267](#)

Size:	6 <sup>1</sup> / <sub>2</sub> J x 16
Wheel offset in mm:	42
Wheel load in kg:	550



**1C0 601 025 N - Wheel and tyre combination** ⇒ [page 267](#)

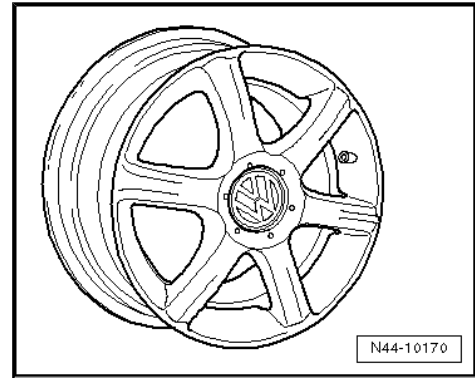
Size:	6 <sup>1</sup> / <sub>2</sub> J x 16
Wheel offset in mm:	42
Wheel load in kg:	550





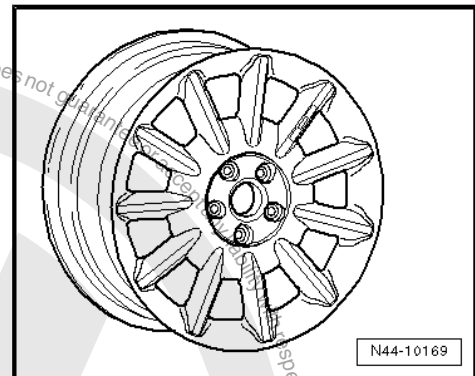
**1C0 601 025 P - Wheel and tyre combination ⇒ page 267**

Size:	6 <sup>1</sup> / <sub>2</sub> J x 16
Wheel offset in mm:	42
Wheel load in kg:	550



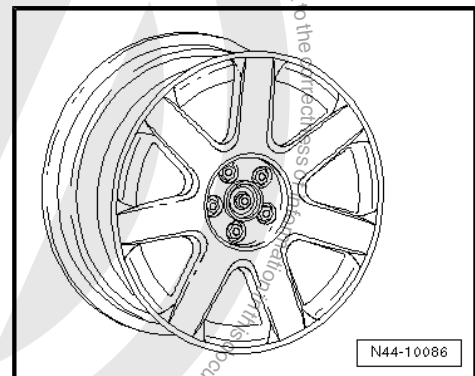
**1C0 601 025 T - Wheel and tyre combination ⇒ page 267**

Size:	6 <sup>1</sup> / <sub>2</sub> J x 16
Wheel offset in mm:	42
Wheel load in kg:	550



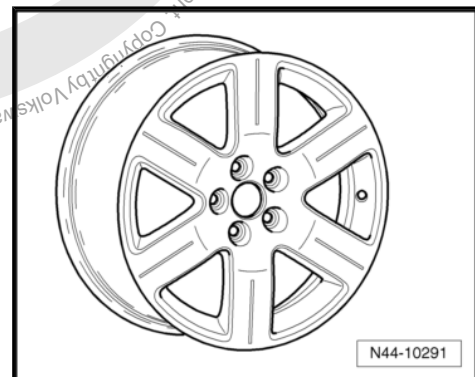
**1C0 601 025 AB - Wheel and tyre combination ⇒ page 267**

Size:	6 <sup>1</sup> / <sub>2</sub> J x 16
Wheel offset in mm:	42
Wheel load in kg:	550



**1C0 601 025 AC, 1C0 601 025 AF - Wheel and tyre combination ⇒ page 267**

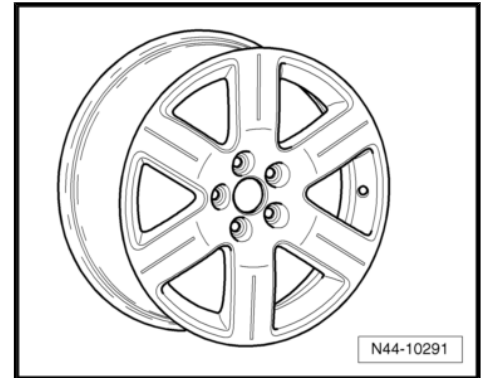
Size:	6 <sup>1</sup> / <sub>2</sub> J x 16
Wheel offset in mm:	42
Wheel load in kg:	550





**1C0 601 025 AJ - Wheel and tyre combination ⇒ page 267**

Size:	6 <sup>1</sup> / <sub>2</sub> J x 16
Wheel offset in mm:	42
Wheel load in kg:	550



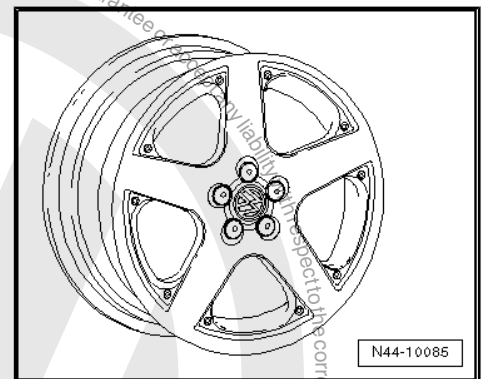
**30.2.4 7 J x 17**

The following wheels are permitted only if the stated conditions  
⇒ page 280 are fulfilled.

	<b>Caution</b>
<i>Observe the allocation of wheels and tyres to the respective engines, which are listed in the overview table ⇒ page 266.</i>	

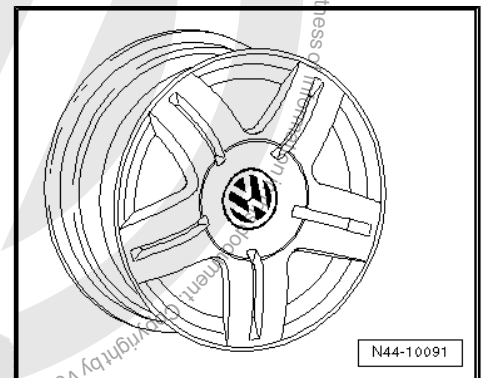
**1J0 601 025 J, 1J0 601 025 S - Wheel and tyre combination ⇒ page 267**

Size:	7 J x 17
Wheel offset in mm:	38
Wheel load in kg:	580



**1J0 601 025 AB - Wheel and tyre combination ⇒ page 267**

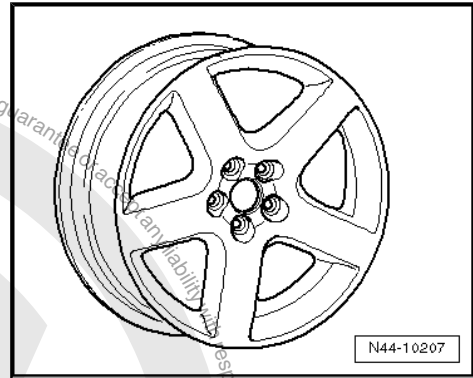
Size:	7 J x 17
Wheel offset in mm:	38
Wheel load in kg:	550





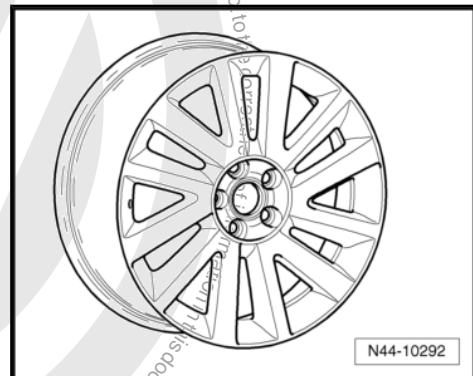
**1C0 601 025 AE - Wheel and tyre combination ⇒ [page 267](#)**

Size:	7 J x 17
Wheel offset in mm:	38
Wheel load in kg:	550



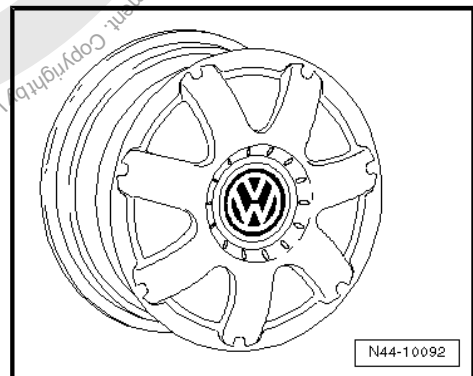
**1C0 601 025 AG - Wheel and tyre combination ⇒ [page 267](#)**

Size:	7 J x 17
Wheel offset in mm:	38
Wheel load in kg:	550



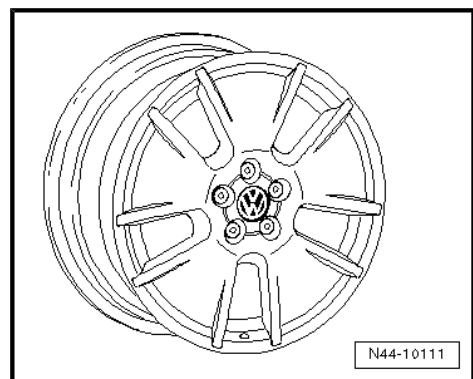
**1C0 601 025 B, 1C0 601 025 E - Wheel and tyre combination ⇒ [page 267](#)**

Size:	7 J x 17
Wheel offset in mm:	38
Wheel load in kg:	550



**1C0 601 025 J - Wheel and tyre combination ⇒ [page 267](#)**

Size:	7 J x 17
Wheel offset in mm:	38
Wheel load in kg:	550



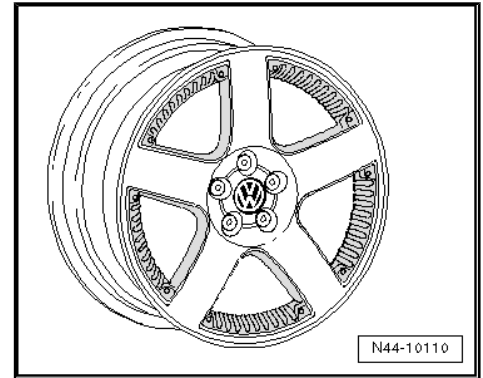




**1C0 601 025 K, 1C0 601 025 Q - Wheel and tyre combination**  
⇒ [page 267](#)

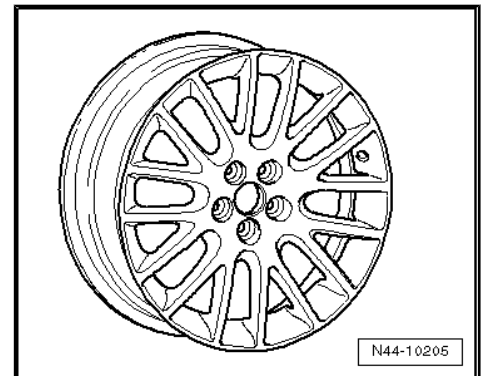
Alloy disc-type wheels with exchangeable trim elements  
⇒ [page 59](#)

Size:	7 J x 17
Wheel offset in mm:	38
Wheel load in kg:	550



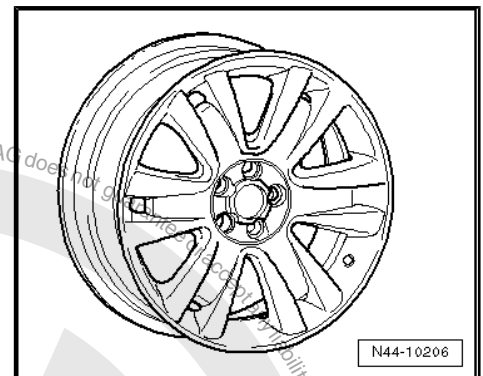
**1J0 601 025 AS - Wheel and tyre combination** ⇒ [page 267](#)

Size:	7 J x 17
Wheel offset in mm:	38
Wheel load in kg:	550



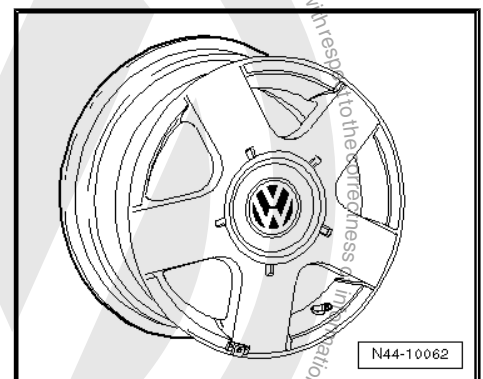
**1C0 601 025 M - Wheel and tyre combination** ⇒ [page 267](#)

Size:	7 J x 17
Wheel offset in mm:	38
Wheel load in kg:	550



**1C0 601 025 R - Wheel and tyre combination** ⇒ [page 267](#)

Size:	7 J x 17
Wheel offset in mm:	38
Wheel load in kg:	550

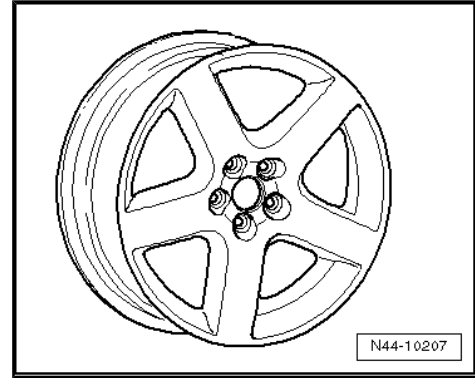


Protected by copyright. Copying for private or commercial purposes, in part or in whole, is not permitted unless authorised by Volkswagen AG. Volkswagen AG does not guarantee the correctness of the information in this document. Copyright by Volkswagen AG.



**1J0 601 025 BE - Wheel and tyre combination ⇒ page 267**

Size:	7 J x 17
Wheel offset in mm:	38
Wheel load in kg:	550



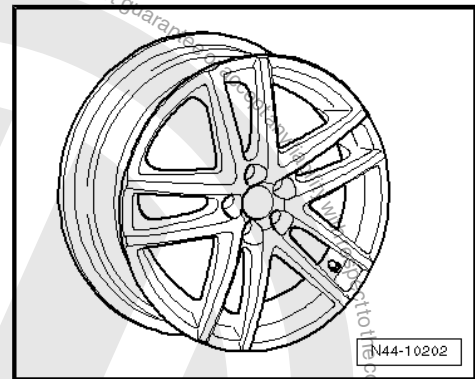
**30.2.5 7 1/2 J x 17**

The following wheels are permitted only if the stated conditions ⇒ page 280 are fulfilled.

	<b>Caution</b>
<i>Observe the allocation of wheels and tyres to the respective engines, which are listed in the overview table ⇒ page 266 .</i>	

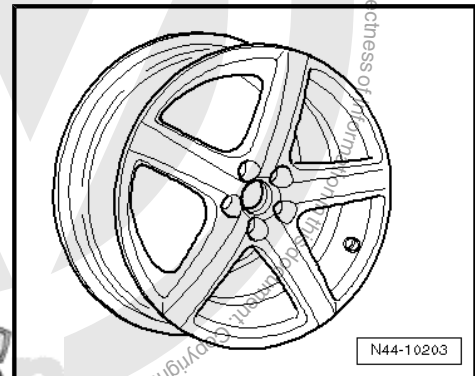
**1J0 601 025 BF - Wheel and tyre combination ⇒ page 267**

Size:	7 1/2 J x 17
Wheel offset in mm:	38
Wheel load in kg:	550



**1J0 601 025 BH - Wheel and tyre combination ⇒ page 267**

Size:	7 1/2 J x 17
Wheel offset in mm:	38
Wheel load in kg:	560



**30.3 Conditions for fitting 17" wheels and tyres**

17" wheels with 225/45 R 17 tyres are possible only:

1. For vehicles from model year 2001.
2. If 17" sports running gear and a steering box with reduced steering arm travel is installed in the vehicle



Allocation of steering box PR No. to engine:	
PR No. of steering box	Engine
QZ 3 <sup>5)</sup>	1.8l; 2.0l; 2.3l petrol engines; 1.9l diesel engines
QZ 4 <sup>5)</sup>	Up to and including 1.6l petrol engines

5) Replacement part numbers → Electronic parts catalogue „ETKA“

3. If tyres with a maximum width of 218 mm are used.

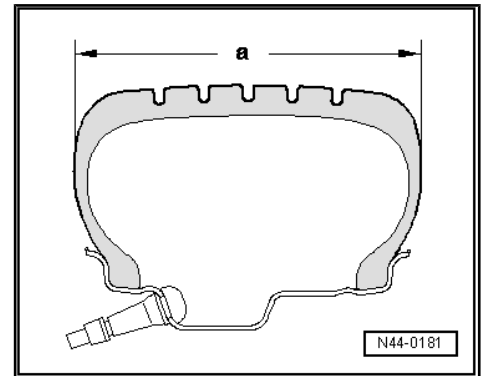
4. If snow chains are not used.

#### Maximum width of 17" tyres

If a vehicle is retrofitted with 17" tyres or if existing 17" tyres are renewed, use only tyres with a maximum width -a- which does not exceed 218 mm during use <sup>6)</sup>.

6) The measured width of the tyre including lettering on 7 J x 17 or 7<sup>1</sup>/<sub>2</sub> J x 17 and at the specified tyre pressure.

If wider tyres are used, under certain circumstances, the tyres may contact the front axle and the bodywork while the car is being driven.





## 31 New Beetle Cabriolet from model year 2003

### General

Volkswagen vehicles are built according to the latest findings in safety engineering. To keep it that way, we recommend the use of only genuine Volkswagen spare parts. You can recognise this by the VW Audi logo and by the part number. It has been established that these parts are reliable, safe and suitable.

Despite constant appraisal of the market, we cannot assess other products on these points, even when in isolated cases they have been passed by official inspectors or have been granted official approval. Therefore, we cannot, of course, assume any liability if these products are installed.



#### WARNING

*The products from Volkswagen genuine parts and Votex genuine accessories may differ in fitting requirements, torque specifications and so on.*

*Always follow the respective fitting and operating instructions.*

The wheel and tyre combinations or changes listed in the vehicle tables refer exclusively to Volkswagen Genuine wheels. Approval of wheel and tyre combinations or a change to wheels from the accessories trade is not possible with the parts certificate attached here.



#### WARNING

*The fitting instructions and torque specifications for wheels from Votex genuine accessories may differ from those intended for wheels from Volkswagen genuine parts.*

*Therefore, always observe the torque settings for the wheel bolts as well as the respective fitting and operating instructions.*

### 31.1 New Beetle Cabriolet, type 1Y model year 2003 to model year 2010

Attachment to parts certificate 3808/09

The parts certificate can be found on the Volkswagen ServiceNet under Accessories/Tyres, Wheels and Tyres, Wheels and Tyres Guide.

Type approval number: e1\*2001/116\*0205\*00 to e1\*2001/116\*0205\*16

#### Overview

Model engine output	Tyres	Tyre size	Wheel rim	Offset in mm	Snow chains	Remarks
1.4l 55 kW petrol engine	Standard tyres	195/65 R 15 91T	6 J x 15 ⇒ <a href="#">page 284</a>	38	Yes	General information on: ♦ Winter tyres ⇒ <a href="#">page 14</a> ♦ Snow chains ⇒ <a href="#">page 17</a>



Model engine output	Tyres	Tyre size	Wheel rim	Off-set in mm	Snow chains	Remarks	
	Modification	205/55 R 16 91H	6 <sup>1</sup> / <sub>2</sub> J x 16 ⇒ <a href="#">page 287</a>	42	No	Tyre makes recommended by Volkswagen: ♦ Summer tyres ⇒ <a href="#">page 497</a> ♦ All-season tyres ⇒ <a href="#">page 522</a> ♦ Winter tyres ⇒ <a href="#">page 530</a>	
		225/45 R 17 91V/W	7 J x 17 ⇒ <a href="#">page 292</a>	38	No		
	Winter tyres	195/65 R 15 91Q/T	6 J x 15 ⇒ <a href="#">page 284</a>	38	Yes		
		205/55 R 16 91T	5 <sup>1</sup> / <sub>2</sub> J x 16 ⇒ <a href="#">page 286</a>	36	Yes		
1.6l 75 kW petrol engine;  1.9l 74 kW; 1.9l 77 kW diesel engine	Standard tyres	195/65 R 15 91T	6 J x 15 ⇒ <a href="#">page 284</a>	38	Yes	The 225/45 R 17 tyre may be mounted on the 7 J x 17 or the 7 <sup>1</sup> / <sub>2</sub> J x 17 rim only if the listed conditions ⇒ <a href="#">page 295</a> are fulfilled!  The adhesive weights for balancing must be attached to the inner side of the rim of 6 <sup>1</sup> / <sub>2</sub> J x 16 aluminium wheels!	
	Modification	205/55 R 16 91H	6 <sup>1</sup> / <sub>2</sub> J x 16 ⇒ <a href="#">page 287</a>	42	No		
		225/45 R 17 91V/W	7 J x 17 ⇒ <a href="#">page 292</a>	38	No		
		225/45 R 17 91V/W	7 <sup>1</sup> / <sub>2</sub> J x 17 ⇒ <a href="#">page 295</a>	38	No		
	Winter tyres	195/65 R 15 91Q/T	6 J x 15 ⇒ <a href="#">page 284</a>	38	Yes		
		205/55 R 16 91T	5 <sup>1</sup> / <sub>2</sub> J x 16 ⇒ <a href="#">page 286</a>	36	Yes		
	2.0l 85 kW petrol engine	Standard tyres	195/65 R 15 91H	6 J x 15 ⇒ <a href="#">page 284</a>	38		Yes
		Modification	205/55 R 16 91H	6 <sup>1</sup> / <sub>2</sub> J x 16 ⇒ <a href="#">page 287</a>	42		No
225/45 R 17 91V/W			7 J x 17 ⇒ <a href="#">page 292</a>	38	No		
225/45 R 17 91V/W			7 <sup>1</sup> / <sub>2</sub> J x 17 ⇒ <a href="#">page 295</a>	38	No		



Model engine output	Tyres	Tyre size	Wheel rim	Off-set in mm	Snow chains	Remarks
	Winter tyres	195/65 R 15 91Q/T	6 J x 15 <a href="#">⇒ page 284</a>	38	Yes	
		205/55 R 16 91T	5 <sup>1</sup> / <sub>2</sub> J x 16 <a href="#">⇒ page 286</a>	36	Yes	
1.8 l 110 kW petrol engine	Standard tyres	195/65 R 15 91V	6 J x 15 <a href="#">⇒ page 284</a>	38	Yes	
	Modification	205/55 R 16 91V	6 <sup>1</sup> / <sub>2</sub> J x 16 <a href="#">⇒ page 287</a>	42	No	
		225/45 R 17 91V/W	7 J x 17 <a href="#">⇒ page 292</a>	38	No	
		225/45 R 17 91V/W	7 <sup>1</sup> / <sub>2</sub> J x 17 <a href="#">⇒ page 295</a>	38	No	
	Winter tyres	195/65 R 15 91Q/T	6 J x 15 <a href="#">⇒ page 284</a>	38	Yes	
		205/55 R 16 91T	5 <sup>1</sup> / <sub>2</sub> J x 16 <a href="#">⇒ page 286</a>	36	Yes	

Tyre inflation pressures are located on a sticker in fuel tank flap or in ⇒ Maintenance ; Booklet ; Check tyres: condition, profile, inflation pressure, depth of tread .

## 31.2 Wheel allocation for New Beetle Cabriolet, type 1Y model year 2003 to model year 2010

Explanation of information on wheels ⇒ [page 58](#)

Torque settings for wheel bolts ⇒ Running gear, axles, steering;  
Rep. gr. 44 ; Torque settings for wheel bolts

Pitch circle diameter: 100 mm

Number of wheel bolt holes: 5

### 31.2.1 6 J x 15



#### Caution

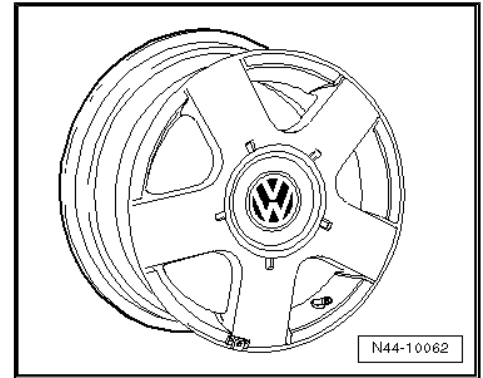
*Observe the allocation of wheels and tyres to the respective engines, which are listed in the overview table ⇒ [page 282](#) .*



**1J0 601 025 B, 1J0 601 025 AA - Wheel and tyre combination**  
 ⇒ [page 282](#)

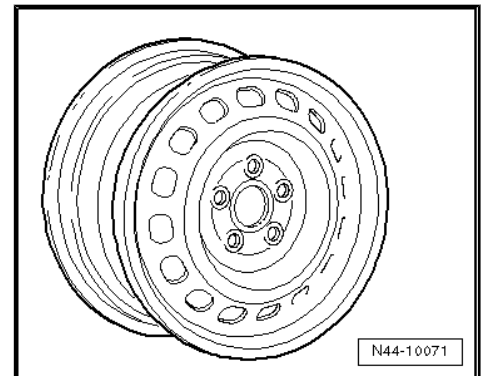
For vehicles with maximum permitted axle load of 1,000 kg

Size:	6 J x 15
Wheel offset in mm:	38
Wheel load in kg:	500



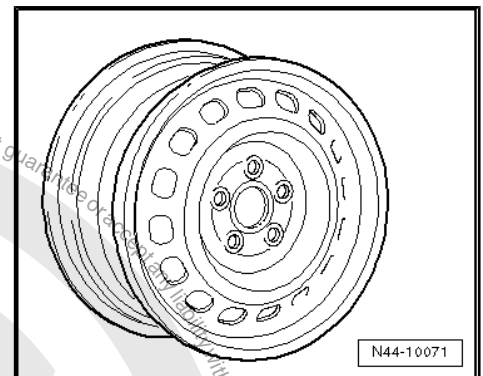
**1J0 601 027 K - Wheel and tyre combination** ⇒ [page 282](#)

Size:	6 J x 15
Wheel offset in mm:	38
Wheel load in kg:	550



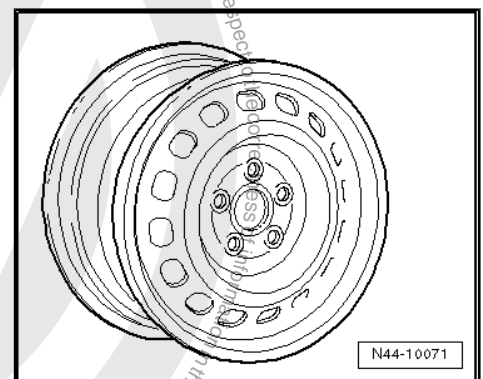
**1J0 601 027 H, 1J0 601 027 Q - Wheel and tyre combination**  
 ⇒ [page 282](#)

Size:	6 J x 15
Wheel offset in mm:	38
Wheel load in kg:	550



**1J0 601,027 AB - Wheel and tyre combination** ⇒ [page 282](#)

Size:	6 J x 15
Wheel offset in mm:	38
Wheel load in kg:	550

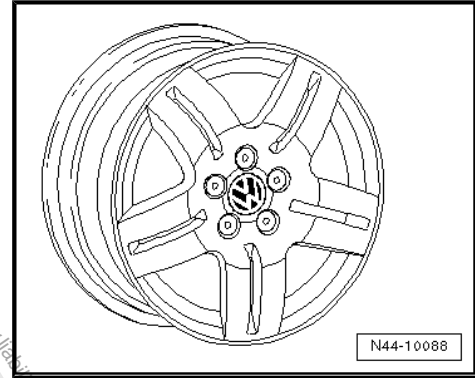


Protected by copyright. Copying for private or commercial purposes without prior written permission is not permitted unless authorised by Volkswagen AG. Volkswagen AG does not guarantee the accuracy of this document. Copyright by Volkswagen AG.



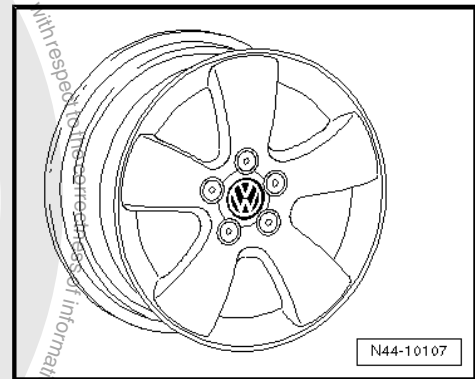
**1J0 601 025 Q - Wheel and tyre combination ⇒ page 282**

Size:	6 J x 15
Wheel offset in mm:	38
Wheel load in kg:	530



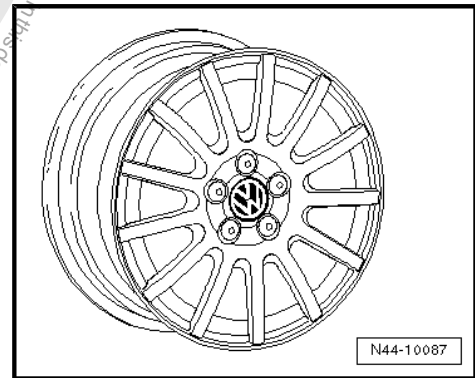
**1C0 601 025 F - Wheel and tyre combination ⇒ page 282**

Size:	6 J x 15
Wheel offset in mm:	38
Wheel load in kg:	550



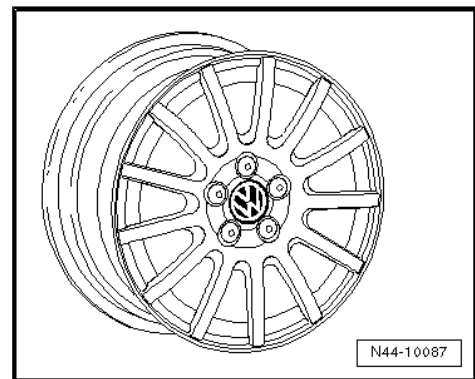
**1J0 601 025 P, 1J0 601 025 AL - Wheel and tyre combination ⇒ page 282**

Size:	6 J x 15
Wheel offset in mm:	38
Wheel load in kg:	550



**1J0 601 025 BD - Wheel and tyre combination ⇒ page 282**

Size:	6 J x 15
Wheel offset in mm:	38
Wheel load in kg:	580



**31.2.2 5 1/2 J x 16**

	<b>Caution</b>
<i>Observe the allocation of wheels and tyres to the respective engines, which are listed in the overview table ⇒ page 282 .</i>	

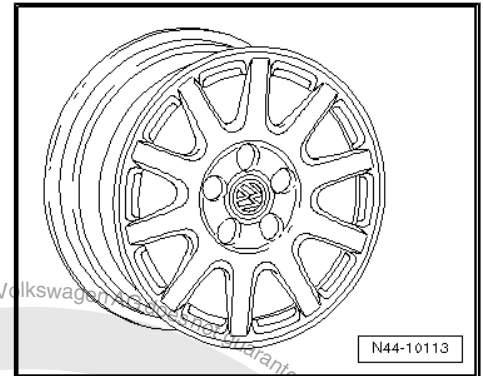




### Winter wheels

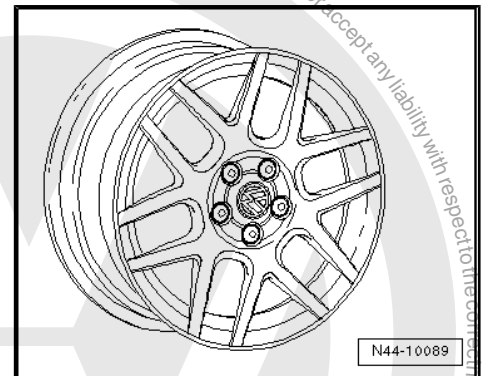
1J0 601 025 M, 1J0 601 025 AF - Wheel and tyre combination  
⇒ [page 283](#)

Size:	5 <sup>1</sup> / <sub>2</sub> J x 16
Wheel offset in mm:	36
Wheel load in kg:	550



1J0 601 025 AP - Wheel and tyre combination ⇒ [page 283](#)

Size:	5 <sup>1</sup> / <sub>2</sub> J x 16
Wheel offset in mm:	36
Wheel load in kg:	550



### 31.2.3 6<sup>1</sup>/<sub>2</sub> J x 16



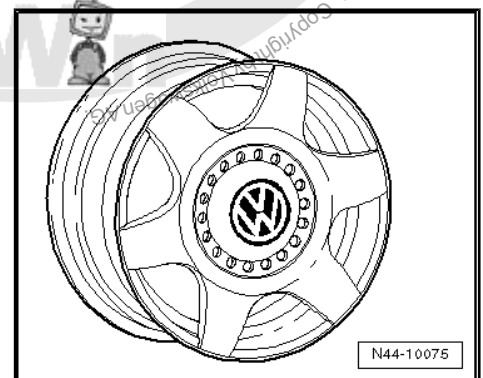
#### Caution

*Observe the allocation of wheels and tyres to the respective engines, which are listed in the overview table ⇒ [page 282](#).*

1C0 601 025 A, 1C0 601 025 D - Wheel and tyre combination  
⇒ [page 283](#)

For vehicles with maximum permitted axle load of 1,000 kg

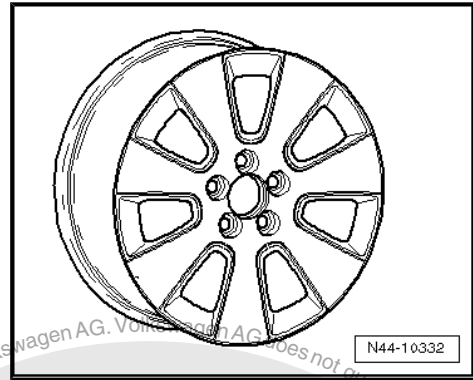
Size:	6 <sup>1</sup> / <sub>2</sub> J x 16
Wheel offset in mm:	42
Wheel load in kg:	500





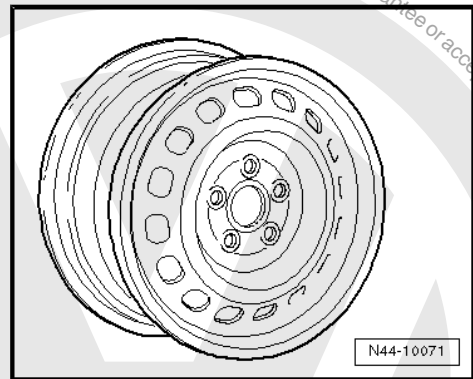
**1C0 601 025 AH - Wheel and tyre combination ⇒ page 283**

Size:	6 <sup>1</sup> / <sub>2</sub> J x 16
Wheel offset in mm:	42
Wheel load in kg:	550



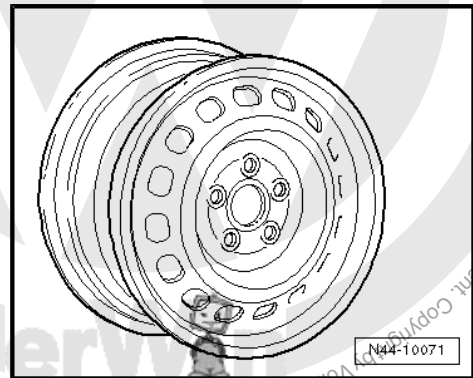
**1J0 601 027 L, 1J0 601 027 R - Wheel and tyre combination ⇒ page 283**

Size:	6 <sup>1</sup> / <sub>2</sub> J x 16
Wheel offset in mm:	42
Wheel load in kg:	550



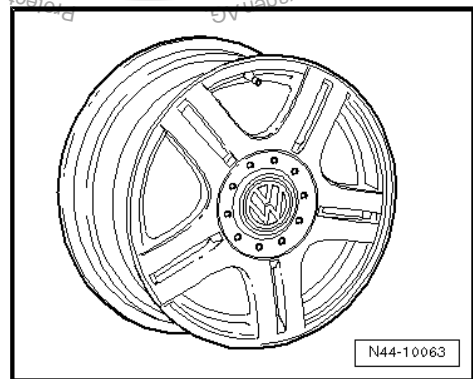
**1J0 601 027 T, 1J0 601 027 AF - Wheel and tyre combination ⇒ page 283**

Size:	6 <sup>1</sup> / <sub>2</sub> J x 16
Wheel offset in mm:	42
Wheel load in kg:	550



**1J0 601 025 F, 1J0 601 025 AC - Wheel and tyre combination ⇒ page 283**

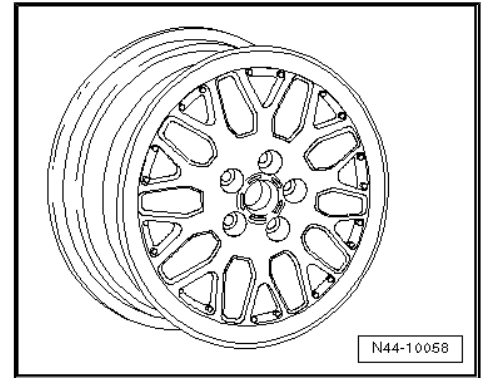
Size:	6 <sup>1</sup> / <sub>2</sub> J x 16
Wheel offset in mm:	42
Wheel load in kg:	530





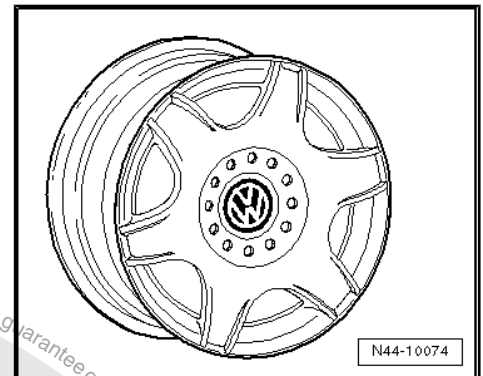
**1J0 601 025 E, 1J0 601 025 AD - Wheel and tyre combination**  
⇒ [page 283](#)

Size:	6 <sup>1</sup> / <sub>2</sub> J x 16
Wheel offset in mm:	42
Wheel load in kg:	530



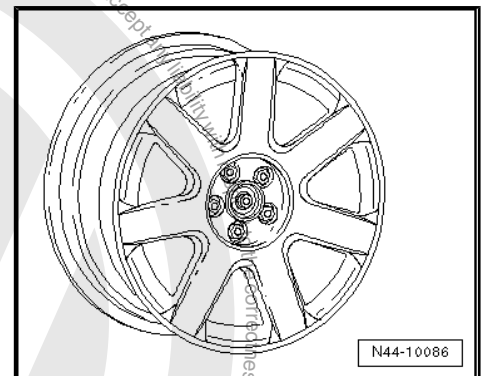
**1J0 601 025 H, 1J0 601 025 AH - Wheel and tyre combination**  
⇒ [page 283](#)

Size:	6 <sup>1</sup> / <sub>2</sub> J x 16
Wheel offset in mm:	42
Wheel load in kg:	530



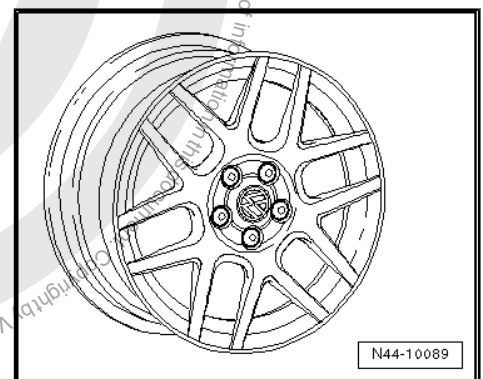
**1J0 601 025 L, 1J0 601 025 AE - Wheel and tyre combination**  
⇒ [page 283](#)

Size:	6 <sup>1</sup> / <sub>2</sub> J x 16
Wheel offset in mm:	42
Wheel load in kg:	550



**1J0 601 025 R, 1J0 601 025 AN - Wheel and tyre combination**  
⇒ [page 283](#)

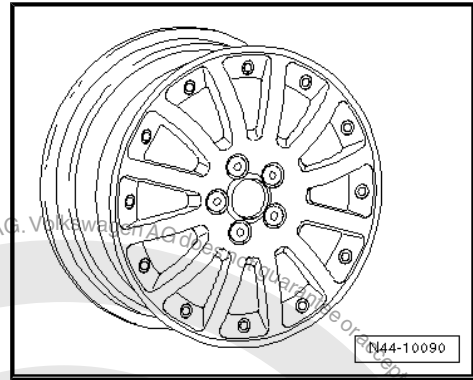
Size:	6 <sup>1</sup> / <sub>2</sub> J x 16
Wheel offset in mm:	42
Wheel load in kg:	550





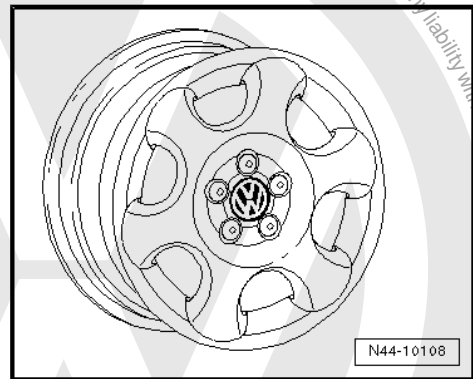
**1J0 601 025 T, 1J0 601 025 AJ - Wheel and tyre combination**  
⇒ [page 283](#)

Size:	6 <sup>1</sup> / <sub>2</sub> J x 16
Wheel offset in mm:	42
Wheel load in kg:	550



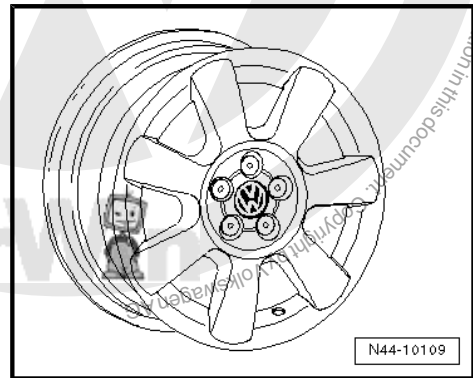
**1C0 601 025 G, 1C0 601 025 AA - Wheel and tyre combination**  
⇒ [page 283](#)

Size:	6 <sup>1</sup> / <sub>2</sub> J x 16
Wheel offset in mm:	42
Wheel load in kg:	550



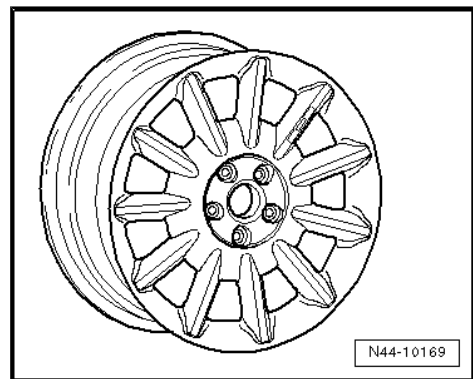
**1C0 601 025 H - Wheel and tyre combination** ⇒ [page 283](#)

Size:	6 <sup>1</sup> / <sub>2</sub> J x 16
Wheel offset in mm:	42
Wheel load in kg:	550



**1C0 601 025 N - Wheel and tyre combination** ⇒ [page 283](#)

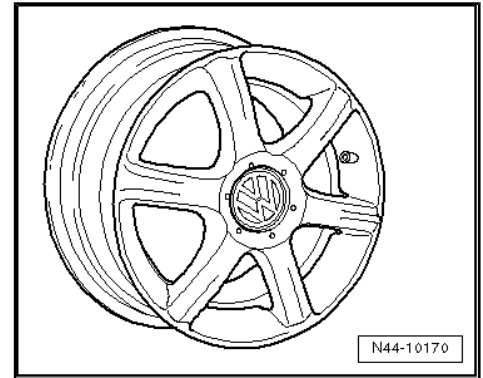
Size:	6 <sup>1</sup> / <sub>2</sub> J x 16
Wheel offset in mm:	42
Wheel load in kg:	550





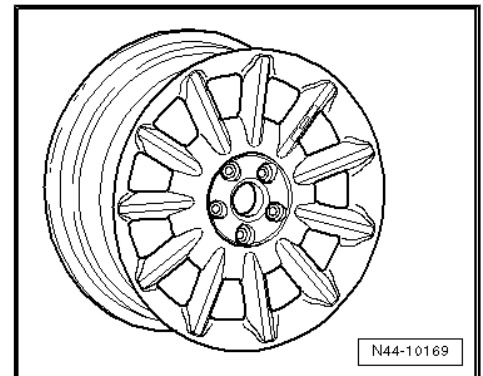
**1C0 601 025 P - Wheel and tyre combination ⇒ page 283**

Size:	6 <sup>1</sup> / <sub>2</sub> J x 16
Wheel offset in mm:	42
Wheel load in kg:	550



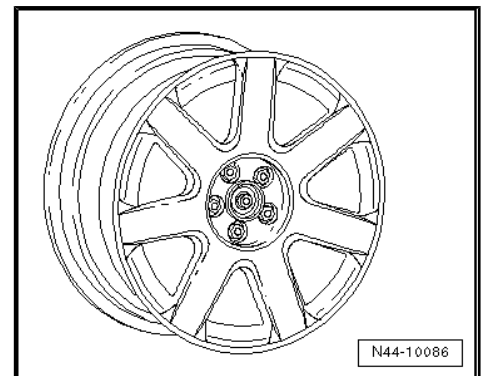
**1C0 601 025 T - Wheel and tyre combination ⇒ page 283**

Size:	6 <sup>1</sup> / <sub>2</sub> J x 16
Wheel offset in mm:	42
Wheel load in kg:	550



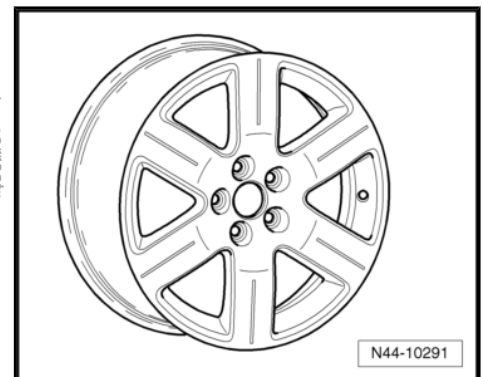
**1C0 601 025 AB - Wheel and tyre combination ⇒ page 283**

Size:	6 <sup>1</sup> / <sub>2</sub> J x 16
Wheel offset in mm:	42
Wheel load in kg:	550



**1C0 601 025 AC, 1C0 601 025 AF - Wheel and tyre combination ⇒ page 283**

Size:	6 <sup>1</sup> / <sub>2</sub> J x 16
Wheel offset in mm:	42
Wheel load in kg:	550

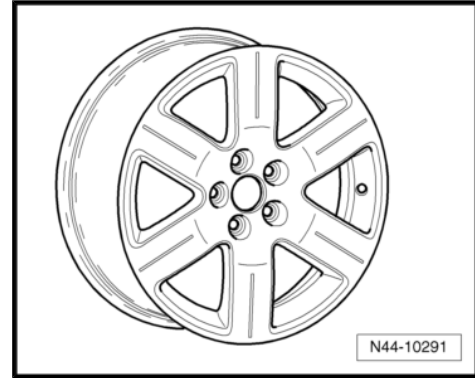


Protected by copyright. Copying for private or commercial purposes, in part or in whole, is not permitted unless authorised by Volkswagen AG. Volkswagen AG does not guarantee or accept any liability with respect to the correctness of information in this document. Copyright by Volkswagen AG.



**1C0 601 025 AJ - Wheel and tyre combination ⇒ page 283**

Size:	6 <sup>1</sup> / <sub>2</sub> J x 16
Wheel offset in mm:	42
Wheel load in kg:	550



**31.2.4 7 J x 17**

The following wheels are permitted only if the stated conditions ⇒ page 295 are fulfilled.

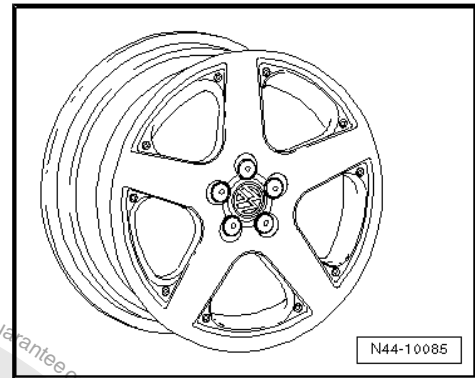


**Caution**

*Observe the allocation of wheels and tyres to the respective engines, which are listed in the overview table ⇒ page 282 .*

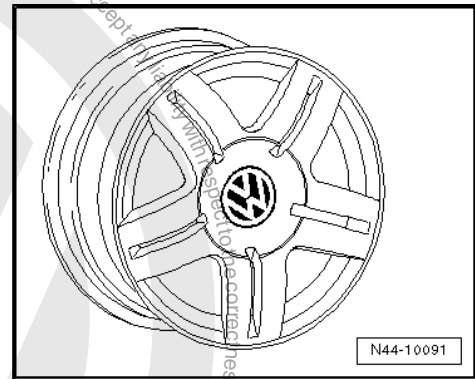
**1J0 601 025 J, 1J0 601 025 S - Wheel and tyre combination ⇒ page 283**

Size:	7 J x 17
Wheel offset in mm:	38
Wheel load in kg:	580



**1J0 601 025 AB - Wheel and tyre combination ⇒ page 283**

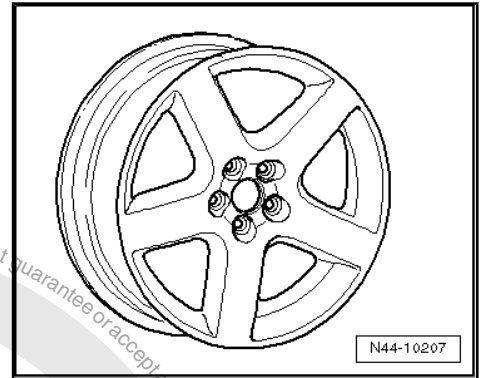
Size:	7 J x 17
Wheel offset in mm:	38
Wheel load in kg:	550





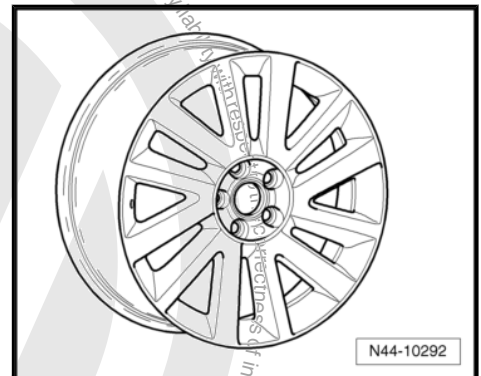
**1C0 601 025 AE - Wheel and tyre combination ⇒ page 283**

Size:	7 J x 17
Wheel offset in mm:	38
Wheel load in kg:	550



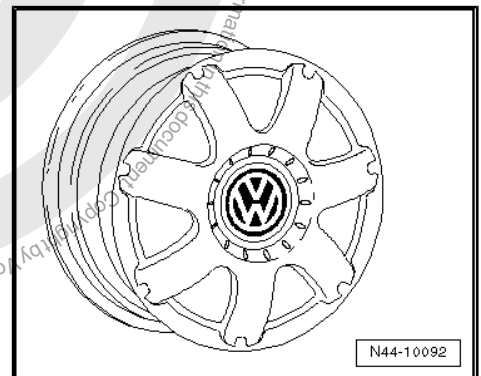
**1C0 601 025 AG - Wheel and tyre combination ⇒ page 283**

Size:	7 J x 17
Wheel offset in mm:	38
Wheel load in kg:	550



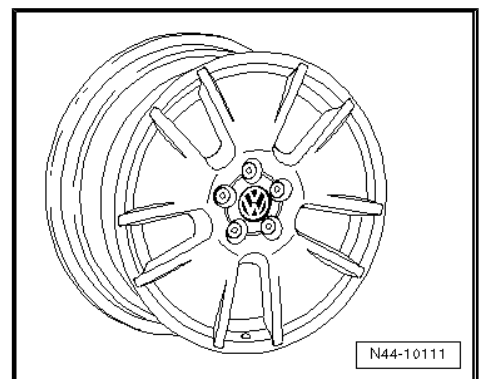
**1C0 601 025 B, 1C0 601 025 E - Wheel and tyre combination ⇒ page 283**

Size:	7 J x 17
Wheel offset in mm:	38
Wheel load in kg:	550



**1C0 601 025 J - Wheel and tyre combination ⇒ page 283**

Size:	7 J x 17
Wheel offset in mm:	38
Wheel load in kg:	550

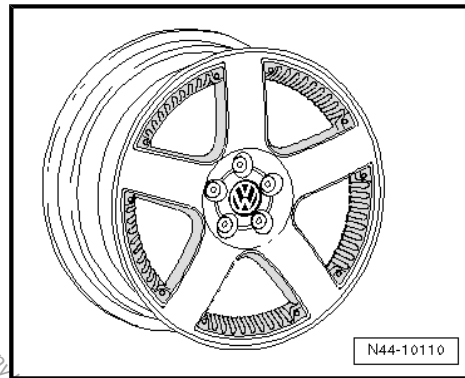




**1C0 601 025 K, 1C0 601 025 Q - Wheel and tyre combination**  
⇒ [page 283](#)

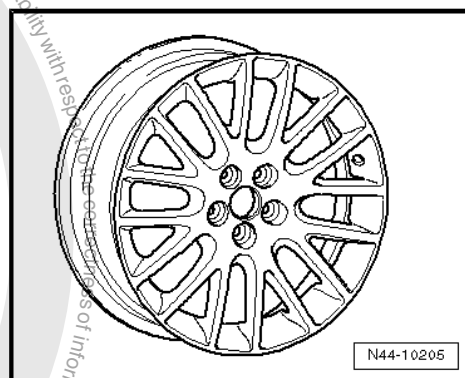
Alloy disc-type wheels with exchangeable trim elements  
⇒ [page 283](#)

Size:	7 J x 17
Wheel offset in mm:	38
Wheel load in kg:	550



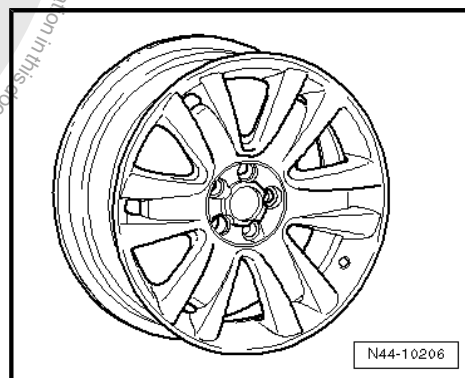
**1J0 601 025 AS - Wheel and tyre combination** ⇒ [page 283](#)

Size:	7 J x 17
Wheel offset in mm:	38
Wheel load in kg:	550



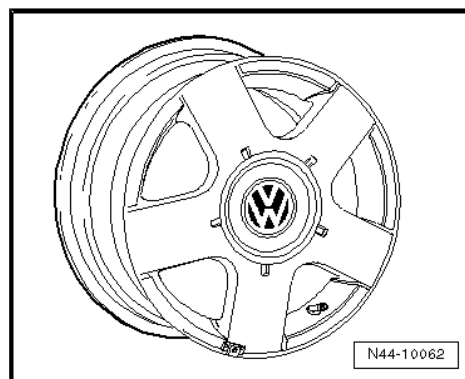
**1C0 601 025 M - Wheel and tyre combination** ⇒ [page 283](#)

Size:	7 J x 17
Wheel offset in mm:	38
Wheel load in kg:	550



**1C0 601 025 R - Wheel and tyre combination** ⇒ [page 283](#)

Size:	7 J x 17
Wheel offset in mm:	38
Wheel load in kg:	550

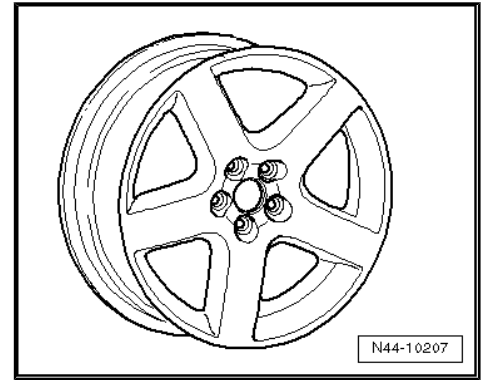






**1J0 601 025 BE - Wheel and tyre combination ⇒ page 283**

Size:	7 J x 17
Wheel offset in mm:	38
Wheel load in kg:	550



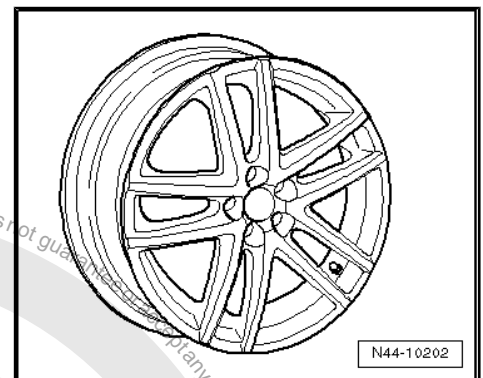
**31.2.5 7<sup>1</sup>/<sub>2</sub> J x 17**

The following wheels are permitted only if the stated conditions ⇒ page 295 are fulfilled.

	<b>Caution</b>
<i>Observe the allocation of wheels and tyres to the respective engines, which are listed in the overview table ⇒ page 282 .</i>	

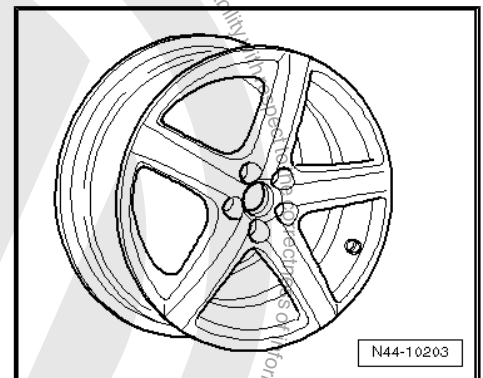
**1J0 601 025 BF - Wheel and tyre combination ⇒ page 283**

Size:	7 <sup>1</sup> / <sub>2</sub> J x 17
Wheel offset in mm:	38
Wheel load in kg:	550



**1J0 601 025 BH - Wheel and tyre combination ⇒ page 283**

Size:	7 <sup>1</sup> / <sub>2</sub> J x 17
Wheel offset in mm:	38
Wheel load in kg:	560



**31.3 Conditions for fitting 17" wheels and tyres**

17" wheels with 225/45 R 17 tyres are possible only:

1. For vehicles from model year 2003.
2. If 17" sports running gear and a steering box with reduced steering arm travel is installed in the vehicle.





Allocation of steering box PR No. to engine:	
PR No. of steering box	Engine
QZ 3 <sup>7)</sup>	1.8l; 2.0l petrol engines; 1.9l diesel engines
QZ 4 <sup>7)</sup>	Up to and including 1.6l petrol engines

7) Replacement part numbers ⇒ Electronic parts catalogue „ETKA“

3. If tyres with a maximum width of 218 mm are used.

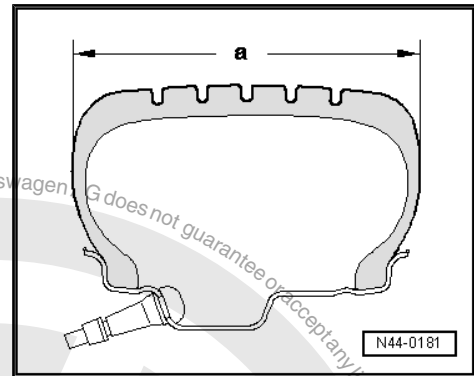
4. If snow chains are not used.

#### Maximum width of 17" tyres

If a vehicle is retrofitted with 17" tyres or if existing 17" tyres are renewed, use only tyres with a maximum width -a- which does not exceed 218 mm during use <sup>8)</sup>.

8) The measured width of the tyre including lettering on 7 J x 17, on 7 1/2 J x 17 and at the specified tyre pressure.

If wider tyres are used, under certain circumstances, the tyres may contact the front axle and the bodywork while the car is being driven.





## 32 Scirocco from model year 2009

### General

Volkswagen vehicles are built according to the latest findings in safety engineering. To keep it that way, we recommend the use of only genuine Volkswagen spare parts. You can recognise this by the VW Audi logo and by the part number. It has been established that these parts are reliable, safe and suitable.

Despite constant appraisal of the market, we cannot assess other products on these points, even when in isolated cases they have been passed by official inspectors or have been granted official approval. Therefore, we cannot, of course, assume any liability if these products are installed.



#### WARNING

*The products from Volkswagen genuine parts and Votex genuine accessories may differ in fitting requirements, torque specifications and so on.*

*Always follow the respective fitting and operating instructions.*

The wheel and tyre combinations or changes listed in the vehicle tables refer exclusively to Volkswagen Genuine wheels. Approval of wheel and tyre combinations or a change to wheels from the accessories trade is not possible with the certificate statement attached here.



#### WARNING

*The fitting instructions and torque specifications for wheels from Votex genuine accessories may differ from those intended for wheels from Volkswagen genuine parts.*

*Therefore, always observe the torque settings for the wheel bolts as well as the respective fitting and operating instructions.*

### 32.1 Scirocco, sales type 137, model year 2009 to model year 2011



#### Caution

*The Scirocco will be listed according to the sales types and not by the type approval model codes.*

*The type approval model code and the associated type approval number are listed as follows.*

#### Scirocco, type approval code 13

Appendix to certificate statement 8106803343

The certificate statement can be found on the Volkswagen ServiceNet under Accessories/Tyres, Wheels and Tyres, Wheels and Tyres Guide.



Type Approval No.: e1\*2001/116\*0471\*00 to  
e1\*2001/116\*0471\*07

Overview

Model engine output	Tyres	Tyre size	Wheel rim	Off-set in mm	Snow chains	Remarks	
1.4l 90 kW petrol engine  2.0l 103 kW TDI diesel engine	Standard tyres	205/50 R 17 89H	7 J x 17 ⇒ <a href="#">page 300</a>	33	No	General information on: ♦ Winter tyres ⇒ <a href="#">page 14</a> ♦ Snow chains ⇒ <a href="#">page 17</a>	
	Modification	225/45 R 17 91H	7 J x 17 ⇒ <a href="#">page 300</a>	33	No	Tyre makes recommended by Volkswagen: ♦ Summer tyres ⇒ <a href="#">page 507</a> ♦ Winter tyres ⇒ <a href="#">page 534</a>	
		225/45 R 17 91H	8 J x 17 ⇒ <a href="#">page 301</a>	41	No		
		235/45 R 17 93H	8 J x 17 ⇒ <a href="#">page 301</a>	41	No		
		235/40 R 18 91H	8 J x 18 ⇒ <a href="#">page 302</a>	41	No		Wheel housing extensions (FLAPS) ⇒ <a href="#">page 4</a> have to be fitted on the rear axle ⇒ Electronic replacement parts catalogue „ETKA“ .
		235/35 R 19 91Y* ⇒ <a href="#">page 298</a>	8 J x 19 ⇒ <a href="#">page 303</a>	41	No		* The 235/35 R 19 91Y and 8 J x 19 offset 41 wheel and tyre combination is permitted only on vehicles with sports running gear or adaptive chassis control (DCC)!
	Winter tyres	205/55 R 16 91T/H/V	6 1/2 J x 16 ⇒ <a href="#">page 300</a>	42	Yes		
		205/50 R 17 89T/H/V	6 1/2 J x 17 ⇒ <a href="#">page 300</a>	39	Yes		
	1.4 l 118 kW; petrol engine  2.0l 125 kW TDI diesel engine	Standard tyres	205/50 R 17 89V	7 J x 17 ⇒ <a href="#">page 300</a>	33	No	* From model year 2010
205/50 R 17 93V* ⇒ <a href="#">page 298</a>			7 J x 17 ⇒ <a href="#">page 300</a>	33	No		
Modification		225/45 R 17 91V	7 J x 17 ⇒ <a href="#">page 300</a>	33	No		
		225/45 R 17 91V	8 J x 17 ⇒ <a href="#">page 301</a>	41	No		
		235/45 R 17 93V	8 J x 17 ⇒ <a href="#">page 301</a>	41	No		



Model engine output	Tyres	Tyre size	Wheel rim	Off-set in mm	Snow chains	Remarks
		235/40 R 18 91V	8 J x 18 ⇒ <a href="#">page 302</a>	41	No	** The 235/35 R 19 91Y and 8 J x 19 offset 41 wheel and tyre combination is permitted only on vehicles with sports running gear or adaptive chassis control (DCC)!
		235/35 R 19 91Y** ⇒ <a href="#">page 299</a>	8 J x 19 ⇒ <a href="#">page 303</a>	41	No	
	Winter tyres	205/55 R 16 91T/H/V	6 1/2 J x 16 ⇒ <a href="#">page 300</a>	42	Yes	
		205/50 R 17 89T/H/V	6 1/2 J x 17 ⇒ <a href="#">page 300</a>	39	Yes	
2.0l 147 kW; 2.0l 155 kW; petrol engine	Standard tyres	225/45 R 17 91W	7 J x 17 ⇒ <a href="#">page 300</a>	33	No	* 235/35 R 19 91Y tyres on 8 J x 19 rims with an offset of 41 are permitted only on vehicles with sports running gear or adaptive chassis control (DCC)!
	Modification	225/45 R 17 91W	8 J x 17 ⇒ <a href="#">page 301</a>	41	No	
		235/45 R 17 93W	8 J x 17 ⇒ <a href="#">page 301</a>	41	No	
		235/40 R 18 91W	8 J x 18 ⇒ <a href="#">page 302</a>	41	No	
		235/35 R 19 91Y* ⇒ <a href="#">page 299</a>	8 J x 19 ⇒ <a href="#">page 303</a>	41	No	
	Winter tyres	205/55 R 16 91T/H/V	6 1/2 J x 16 ⇒ <a href="#">page 300</a>	42	Yes	
		205/50 R 17 89T/H/V	6 1/2 J x 17 ⇒ <a href="#">page 300</a>	39	Yes	

Tyre inflation pressures are located on a sticker in fuel tank flap or in ⇒ Maintenance ; Booklet ; Check tyres: condition, profile, inflation pressure, depth of tread .

## 32.2 Wheel allocation for Scirocco, sales type 137 model year 2009 to model year 2011

Scirocco, type approval code 13

Explanation of information on wheels ⇒ [page 58](#)



Torque settings for wheel bolts => Running gear, axles, steering;  
Rep. gr. 44 ; Torque settings for fitting wheels

Pitch circle diameter: 112 mm  
Number of wheel bolt holes: 5

### 32.2.1 6<sup>1</sup>/<sub>2</sub> J x 16

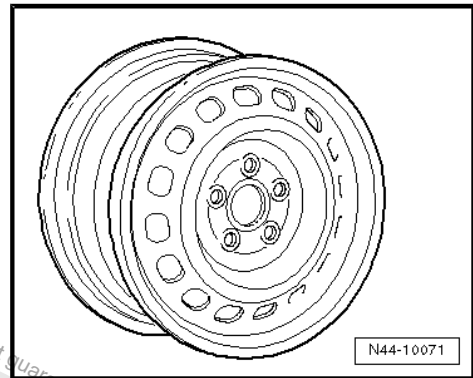


#### Caution

*Observe the allocation of wheels and tyres to the respective engines, which are listed in the overview table => [page 298](#) .*

3C0 601 027 H, 3C0 601 027 AA - Wheel and tyre combination  
=> [page 298](#)

Size:	6 <sup>1</sup> / <sub>2</sub> J x 16
Wheel offset in mm:	42
Wheel load in kg:	650



### 32.2.2 6<sup>1</sup>/<sub>2</sub> J x 17



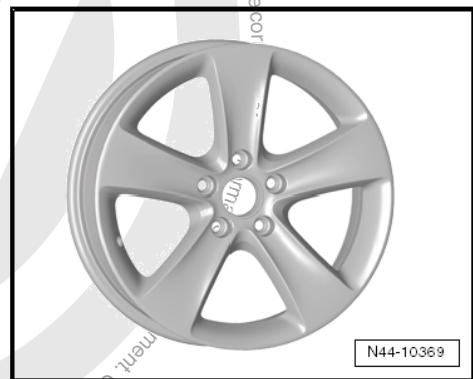
#### Caution

*Observe the allocation of wheels and tyres to the respective engines, which are listed in the overview table => [page 298](#) .*

Winter wheel

3C8 601 025 F- Wheel and tyre combination => [page 298](#)

Size:	6 <sup>1</sup> / <sub>2</sub> J x 17
Wheel offset in mm:	39
Wheel load in kg:	625



### 32.2.3 7 J x 17



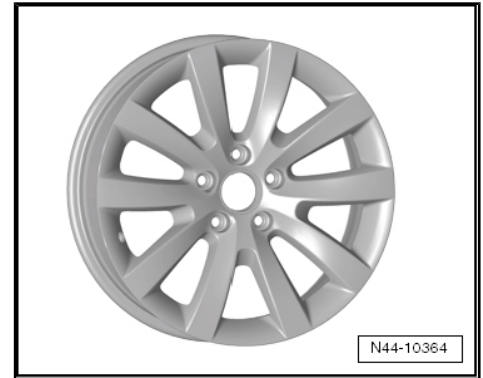
#### Caution

*Observe the allocation of wheels and tyres to the respective engines, which are listed in the overview table => [page 298](#) .*



**1K8 601 025 - Wheel and tyre combination ⇒ page 298**

Size:	7 J x 17
Wheel offset in mm:	33
Wheel load in kg:	615



**32.2.4 8 J x 17**



**Caution**

*Observe the allocation of wheels and tyres to the respective engines, which are listed in the overview table ⇒ page 298 .*

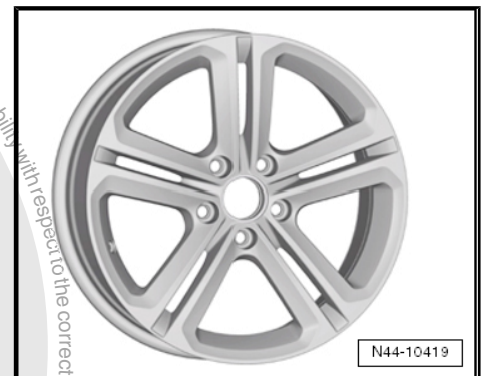
**1K8 601 025 B - Wheel and tyre combination ⇒ page 298**

Size:	8 J x 17
Wheel offset in mm:	41
Wheel load in kg:	615



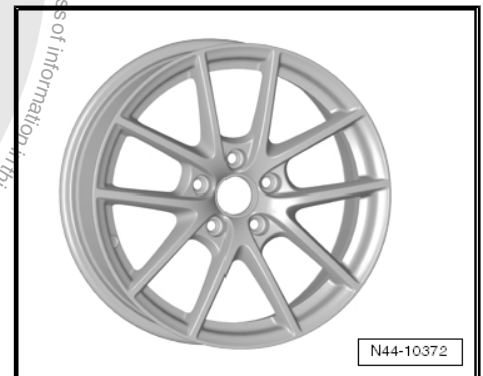
**1K8 601 025 D - Wheel and tyre combination ⇒ page 298**

Size:	8 J x 17
Wheel offset in mm:	41
Wheel load in kg:	650



**3C8 601 025 - Wheel and tyre combination ⇒ page 298**

Size:	8 J x 17
Wheel offset in mm:	41
Wheel load in kg:	625



Protected by copyright. Copying for private purposes, in part or in whole, is prohibited unless authorised by Volkswagen AG. Volkswagen AG does not guarantee or accept any liability with respect to the correctness of information in this document. Copyright by Volkswagen AG.



**3C8 601 025 A - Wheel and tyre combination ⇒ page 298**

Size:	8 J x 17
Wheel offset in mm:	41
Wheel load in kg:	625



**3C8 601 025 K - Wheel and tyre combination ⇒ page 298**

Size:	8 J x 17
Wheel offset in mm:	41
Wheel load in kg:	625



**32.2.5 8 J x 18**

**⚠ Caution**  
*Observe the allocation of wheels and tyres to the respective engines, which are listed in the overview table ⇒ page 298 .*

**1K8 601 025 E - Wheel and tyre combination ⇒ page 298**

Size:	8 J x 18
Wheel offset in mm:	41
Wheel load in kg:	650



**1K8 601 025 F - Wheel and tyre combination ⇒ page 298**

Size:	8 J x 18
Wheel offset in mm:	41
Wheel load in kg:	650

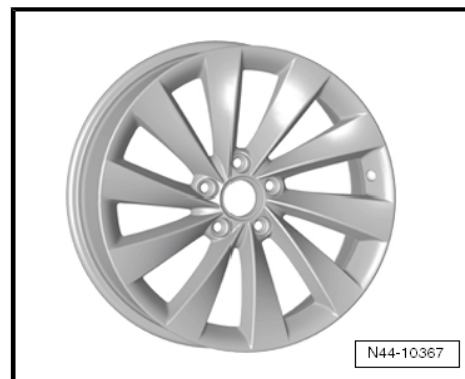






**3C8 601 025 D - Wheel and tyre combination ⇒ page 298**

Size:	8 J x 18
Wheel offset in mm:	41
Wheel load in kg:	625



**3C8 601 025 E - Wheel and tyre combination ⇒ page 298**

Size:	8 J x 18
Wheel offset in mm:	41
Wheel load in kg:	625



**3C8 601 025 G - Wheel and tyre combination ⇒ page 298**

Size:	8 J x 18
Wheel offset in mm:	41
Wheel load in kg:	650



**32.2.6 8 J x 19**



**Caution**

*Observe the allocation of wheels and tyres to the respective engines, which are listed in the overview table ⇒ page 298 .*



**WARNING**

*The 235/35 R 19 91Y and 8 J x 19 offset 41 wheel and tyre combination is permitted only on vehicles with sports running gear or adaptive chassis control (DCC)!*



**1K8 601 025 C - Wheel and tyre combination ⇒ page 298**

Size:	8 J x 19
Wheel offset in mm:	41
Wheel load in kg:	650



**1K8 601 025 G - Wheel and tyre combination ⇒ page 298**

Size:	8 J x 19
Wheel offset in mm:	41
Wheel load in kg:	650





## 33 Scirocco R from model year 2010

### General

Volkswagen vehicles are built according to the latest findings in safety engineering. To keep it that way, we recommend the use of only genuine Volkswagen spare parts. You can recognise this by the VW Audi logo and by the part number. It has been established that these parts are reliable, safe and suitable.

Despite constant appraisal of the market, we cannot assess other products on these points, even when in isolated cases they have been passed by official inspectors or have been granted official approval. Therefore, we cannot, of course, assume any liability if these products are installed.



#### WARNING

*The products from Volkswagen genuine parts and Votex genuine accessories may differ in fitting requirements, torque specifications and so on.*

*Always follow the respective fitting and operating instructions.*

The wheel and tyre combinations or changes listed in the vehicle tables refer exclusively to Volkswagen Genuine wheels. Approval of wheel and tyre combinations or a change to wheels from the accessories trade is not possible with the certificate statement attached here.



#### WARNING

*The fitting instructions and torque specifications for wheels from Votex genuine accessories may differ from those intended for wheels from Volkswagen genuine parts.*

*Therefore, always observe the torque settings for the wheel bolts as well as the respective fitting and operating instructions.*

### 33.1 Scirocco R, sales type 137, model year 2010 to model year 2011



#### Caution

*The Scirocco R will be listed according to the sales types and not by the type approval model codes.*

*The type approval model code and the associated type approval number are listed as follows.*

Scirocco R, type approval code 13

Appendix to certificate statement 8106803343

The certificate statement can be found on the Volkswagen ServiceNet under Accessories/Tyres, Wheels and Tyres, Wheels and Tyres Guide.



Type Approval No.: e1\*2001/116\*0471\*05 to  
e1\*2001/116\*0471\*07

### Overview

Model engine output	Tyres	Tyre size	Wheel rim	Off-set in mm	Snow chains	Remarks
2.0l 188 kW; 2.0l 195 kW; petrol engine	Standard tyres	235/40 R 18 91W	8 J x 18 ⇒ <a href="#">page 309</a>	41	No	General information on: ◆ Winter tyres ⇒ <a href="#">page 14</a> ◆ Snow chains ⇒ <a href="#">page 17</a>
	Modification	225/45 R 17 91W	7 J x 17 ⇒ <a href="#">page 307</a>	33	No	Tyre makes recommended by Volkswagen: ◆ Summer tyres ⇒ <a href="#">page 508</a> ◆ Winter tyres ⇒ <a href="#">page 534</a>
		225/45 R 17 91W	8 J x 17 ⇒ <a href="#">page 307</a>	41	No	
		235/45 R 17 93W	8 J x 17 ⇒ <a href="#">page 307</a>	41	No	
	235/35 R 19 91Y* ⇒ <a href="#">page 306</a>	8 J x 19 ⇒ <a href="#">page 310</a>	41	No	Wheel housing extensions (FLAPS) ⇒ <a href="#">page 4</a> have to be fitted on the rear axle ⇒ Electronic replacement parts catalogue „ETKA“ .	
Winter tyres	205/50 R 17 89T/H/V	6 1/2 J x 17 ⇒ <a href="#">page 307</a>	39	Yes	* 235/35 R 19 91Y tyres on 8 J x 19 rims with an offset of 41 are permitted only on vehicles with sports running gear or adaptive chassis control (DCC)!	

Tyre inflation pressures are located on a sticker in fuel tank flap or in ⇒ Maintenance ; Booklet ; Check tyres: condition, profile, inflation pressure, depth of tread .

## 33.2 Wheel allocation for Scirocco R, sales type 137, model year 2010 to model year 2011

Scirocco, type approval code 13

Explanation of information on wheels ⇒ [page 58](#)

Torque settings for wheel bolts ⇒ Running gear, axles, steering;  
Rep. gr. 44 ; Torque settings for fitting wheels

Pitch circle diameter: 112 mm  
Number of wheel bolt holes: 5



### 33.2.1 6<sup>1</sup>/<sub>2</sub> J x 17



**Caution**

*Observe the allocation of wheels and tyres to the respective engines, which are listed in the overview table ⇒ [page 306](#) .*

**Winter wheel**

**3C8 601 025 F - Wheel and tyre combination ⇒ [page 306](#)**

Size:	6 <sup>1</sup> / <sub>2</sub> J x 17
Wheel offset in mm:	39
Wheel load in kg:	625



### 33.2.2 7 J x 17



**Caution**

*Observe the allocation of wheels and tyres to the respective engines, which are listed in the overview table ⇒ [page 306](#) .*

**1K8 601 025 - Wheel and tyre combination ⇒ [page 306](#)**

Size:	7 J x 17
Wheel offset in mm:	33
Wheel load in kg:	615



### 33.2.3 8 J x 17



**Caution**

*Observe the allocation of wheels and tyres to the respective engines, which are listed in the overview table ⇒ [page 306](#) .*



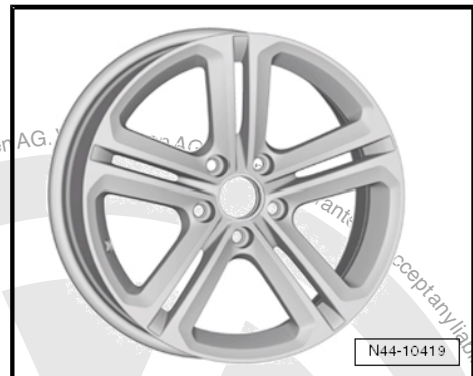
**1K8 601 025 B - Wheel and tyre combination ⇒ page 306**

Size:	8 J x 17
Wheel offset in mm:	41
Wheel load in kg:	615



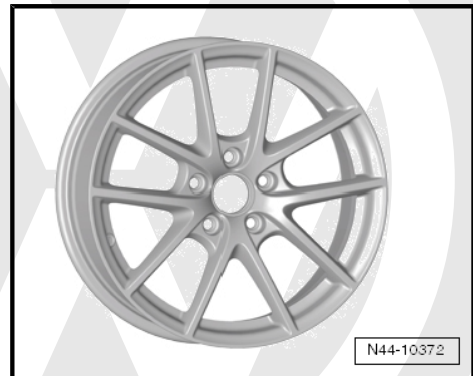
**1K8 601 025 D - Wheel and tyre combination ⇒ page 306**

Size:	8 J x 17
Wheel offset in mm:	41
Wheel load in kg:	650



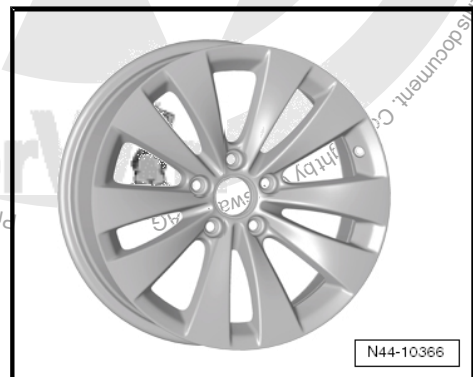
**3C8 601 025 - Wheel and tyre combination ⇒ page 306**

Size:	8 J x 17
Wheel offset in mm:	41
Wheel load in kg:	625



**3C8 601 025 A - Wheel and tyre combination ⇒ page 306**

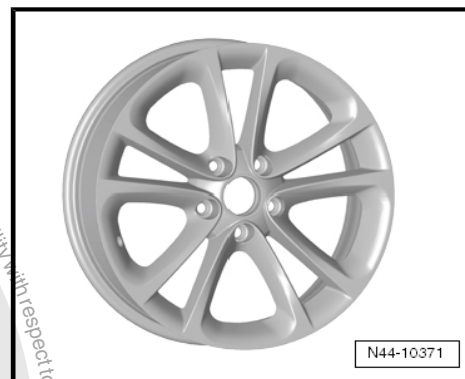
Size:	8 J x 17
Wheel offset in mm:	41
Wheel load in kg:	625





**3C8 601 025 K - Wheel and tyre combination ⇒ page 306**

Size:	8 J x 17
Wheel offset in mm:	41
Wheel load in kg:	625



**33.2.4 8 J x 18**

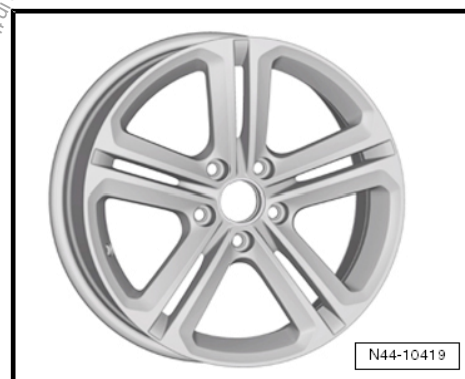


**Caution**

*Observe the allocation of wheels and tyres to the respective engines, which are listed in the overview table ⇒ page 306 .*

**1K8 601 025 E - Wheel and tyre combination ⇒ page 306**

Size:	8 J x 18
Wheel offset in mm:	41
Wheel load in kg:	650



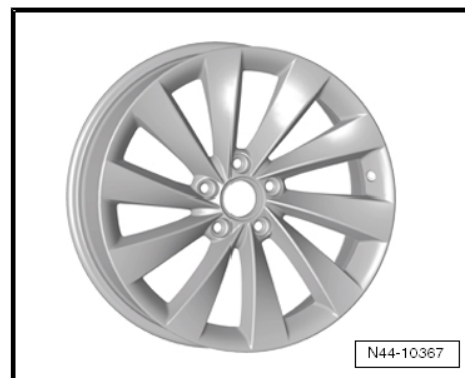
**1K8 601 025 F - Wheel and tyre combination ⇒ page 306**

Size:	8 J x 18
Wheel offset in mm:	41
Wheel load in kg:	650



**3C8 601 025 D - Wheel and tyre combination ⇒ page 306**

Size:	8 J x 18
Wheel offset in mm:	41
Wheel load in kg:	625





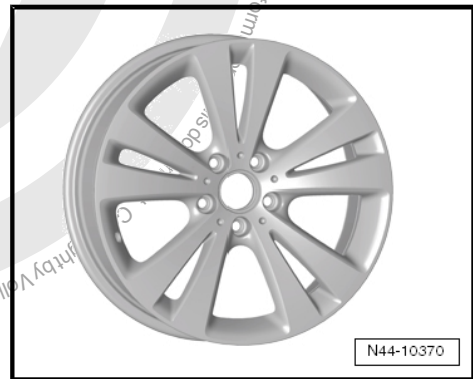
**3C8 601 025 E - Wheel and tyre combination ⇒ page 306**

Size:	8 J x 18
Wheel offset in mm:	41
Wheel load in kg:	625



**3C8 601 025 G - Wheel and tyre combination ⇒ page 306**

Size:	8 J x 18
Wheel offset in mm:	41
Wheel load in kg:	650



**33.2.5 8 J x 19**



**Caution**

*Observe the allocation of wheels and tyres to the respective engines, which are listed in the overview table ⇒ page 298 .*



**WARNING**

*235/35 R 19 91Y tyres on 8 J x 19 rims with an offset of 41 are permitted only on vehicles with sports running gear or adaptive chassis control (DCC)!*

**1K8 601 025 C - Wheel and tyre combination ⇒ page 306**

Size:	8 J x 19
Wheel offset in mm:	41
Wheel load in kg:	650

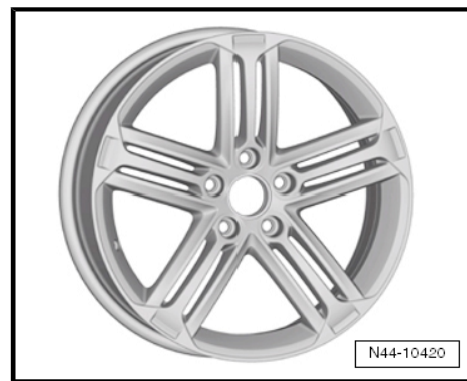






**1K8 601 025 G - Wheel and tyre combination ⇒ [page 306](#)**

Size:	8 J x 19
Wheel offset in mm:	41
Wheel load in kg:	650





## 34 Touran from model year 2003

### General

Volkswagen vehicles are built according to the latest findings in safety engineering. To keep it that way, we recommend the use of only genuine Volkswagen spare parts. You can recognise this by the VW Audi logo and by the part number. It has been established that these parts are reliable, safe and suitable.

Despite constant appraisal of the market, we cannot assess other products on these points, even when in isolated cases they have been passed by official inspectors or have been granted official approval. Therefore, we cannot, of course, assume any liability if these products are installed.



#### WARNING

*The products from Volkswagen genuine parts and Votex genuine accessories may differ in fitting requirements, torque specifications and so on.*

*Always follow the respective fitting and operating instructions.*

The wheel and tyre combinations or changes listed in the vehicle tables refer exclusively to Volkswagen Genuine wheels. Approval of wheel and tyre combinations or a change to wheels from the accessories trade is not possible with the certificate statement attached here.



#### WARNING

*The fitting instructions and torque specifications for wheels from Votex genuine accessories may differ from those intended for wheels from Volkswagen genuine parts.*

*Therefore, always observe the torque settings for the wheel bolts as well as the respective fitting and operating instructions.*

### 34.1 Touran, type 1T model year 2003 to model year 2006

Appendix to certificate statement 8106807107

The certificate statement can be found on the Volkswagen ServiceNet under Accessories/Tyres, Wheels and Tyres, Wheels and Tyres Guide.

Type approval number: e1\*2001/116\*0211\*00 to e1\*2001/116\*0211\*11

#### Overview

Model engine output	Tyres	Tyre size	Wheel rim	Offset in mm	Snow chains	Remarks
1.6l 75 kW petrol engine	Standard tyres	195/65 R 15 91H	6 J x 15 ⇒ <a href="#">page 325</a>	47	Yes	
1.9l 66 kW TDI; 1.9l 74 kW TDI; diesel engine	Modification	195/65 R 15 91T	6 J x 15 ⇒ <a href="#">page 325</a>	47	Yes	General information on: ◆ Winter tyres ⇒ <a href="#">page 14</a> ◆ Snow chains ⇒ <a href="#">page 17</a>



Model engine output	Tyres	Tyre size	Wheel rim	Off-set in mm	Snow chains	Remarks
1.9l 77 kW TDI diesel engine with manual gearbox		195/65 R 15 91T/H/V	6 <sup>1</sup> / <sub>2</sub> J x 15 ⇒ <a href="#">page 326</a>	50	Yes	Tyre makes recommended by Volkswagen:  ◆ Summer tyres ⇒ <a href="#">page 508</a> ◆ All-season tyres ⇒ <a href="#">page 524</a> ◆ Winter tyres ⇒ <a href="#">page 535</a>
		195/65 R 15 91V	6 J x 15 ⇒ <a href="#">page 325</a>	47	Yes	
		205/60 R 15 91T/H/V	6 <sup>1</sup> / <sub>2</sub> J x 15 ⇒ <a href="#">page 326</a>	50	Yes	
		205/55 R 16 91H/V/W	6 J x 16 ⇒ <a href="#">page 327</a>	50	Yes	
		205/55 R 16 91H/V/W	6 <sup>1</sup> / <sub>2</sub> J x 16 ⇒ <a href="#">page 328</a>	50	No	
		225/45 R 17 91H/V/W * ⇒ <a href="#">page 313</a>	7 J x 17 ⇒ <a href="#">page 333</a>	47	No	
	Winter tyres	195/65 R 15 91T/H	6 J x 15 ⇒ <a href="#">page 325</a>	47	Yes	
		205/55 R 16 91T/H	6 J x 16 ⇒ <a href="#">page 327</a>	50	Yes	
1.6l 85 kW petrol engine 2.0 80 kW Eco-Fuel	Standard tyres	195/65 R 15 91H	6 J x 15 ⇒ <a href="#">page 325</a>	47	Yes	
2.0l 100 kW TDI diesel engine with manual gearbox; 2.0l 103 kW TDI diesel engine with manual gearbox	Modification	195/65 R 15 91V	6 J x 15 ⇒ <a href="#">page 325</a>	47	Yes	
		195/65 R 15 91H/V	6 <sup>1</sup> / <sub>2</sub> J x 15 ⇒ <a href="#">page 326</a>	50	Yes	
		205/60 R 15 91H/V	6 <sup>1</sup> / <sub>2</sub> J x 15 ⇒ <a href="#">page 326</a>	50	Yes	
		205/55 R 16 91H/V/W	6 J x 16 ⇒ <a href="#">page 327</a>	50	Yes	
		205/55 R 16 91H/V/W	6 <sup>1</sup> / <sub>2</sub> J x 16 ⇒ <a href="#">page 328</a>	50	No	



Model engine output	Tyres	Tyre size	Wheel rim	Off-set in mm	Snow chains	Remarks
		225/45 R 17 91H/V/W * ⇒ <a href="#">page 313</a>	7 J x 17 ⇒ <a href="#">page 333</a>	47	No	
	Winter tyres	195/65 R 15 91T/H	6 J x 15 ⇒ <a href="#">page 325</a>	47	Yes	
		205/55 R 16 91T/H	6 J x 16 ⇒ <a href="#">page 327</a>	50	Yes	
1.9l 77 kW TDI diesel engine with dual clutch gearbox	Standard tyres	195/65 R 15 95H	6 J x 15 ⇒ <a href="#">page 325</a>	47	Yes	
2.0l 100 kW TDI diesel engine with dual clutch gearbox	Modification	195/65 R 15 95H/V	6 <sup>1</sup> / <sub>2</sub> J x 15 ⇒ <a href="#">page 326</a>	50	Yes	
2.0l 103 kW TDI diesel engine with dual clutch gearbox		205/60 R 15 95H/V	6 <sup>1</sup> / <sub>2</sub> J x 15 ⇒ <a href="#">page 326</a>	50	Yes	
		205/55 R 16 94V	6 J x 16 ⇒ <a href="#">page 327</a>	50	Yes	
		205/55 R 16 94V	6 <sup>1</sup> / <sub>2</sub> J x 16 ⇒ <a href="#">page 328</a>	50	No	
		225/45 R 17 94H/V/W * ⇒ <a href="#">page 313</a>	7 J x 17 ⇒ <a href="#">page 333</a>	47	No	
	Winter tyres	195/65 R 15 95T/H	6 J x 15 ⇒ <a href="#">page 325</a>	47	Yes	
		205/55 R 16 94T/H	6 J x 16 ⇒ <a href="#">page 327</a>	50	Yes	
1.4l 103 kW; 2.0l 110 kW petrol engine	Standard tyres	195/65 R 15 91V	6 J x 15 ⇒ <a href="#">page 325</a>	47	Yes	
	Modification	195/65 R 15 91V	6 <sup>1</sup> / <sub>2</sub> J x 15 ⇒ <a href="#">page 326</a>	50	Yes	
		205/60 R 15 91V	6 <sup>1</sup> / <sub>2</sub> J x 15 ⇒ <a href="#">page 326</a>	50	Yes	
		205/55 R 16 91V/W	6 J x 16 ⇒ <a href="#">page 327</a>	50	Yes	
		205/55 R 16 91V/W	6 <sup>1</sup> / <sub>2</sub> J x 16 ⇒ <a href="#">page 328</a>	50	No	
		225/45 R 17 91V/W ** ⇒ <a href="#">page 315</a>	7 J x 17 ⇒ <a href="#">page 333</a>	47	No	
	Winter tyres	195/65 R 15 91T/H	6 J x 15 ⇒ <a href="#">page 325</a>	47	Yes	



Model engine output	Tyres	Tyre size	Wheel rim	Off-set in mm	Snow chains	Remarks
		205/55 R 16 91T/H	6 J x 16 ⇒ <a href="#">page 327</a>	50	Yes	
2.0l 125 kW TDI diesel engine with manual gearbox	Standard tyres	205/55 R 16 91V	6 J x 16 ⇒ <a href="#">page 327</a>	50	Yes	** 225/45 R 17 91V/W tyres on 7 J x 17 rims with an offset of 47 are permitted only on vehicles with sports running gear and wheel housing extensions (FLAPS).
	Modification	205/55 R 16 91V/W	6 <sup>1</sup> / <sub>2</sub> J x 16 ⇒ <a href="#">page 328</a>	50	No	
		225/45 R 17 91V/W ** ⇒ <a href="#">page 315</a>	7 J x 17 ⇒ <a href="#">page 333</a>	47	No	
	Winter tyres	205/55 R 16 91T/H	6 J x 16 ⇒ <a href="#">page 327</a>	50	Yes	
2.0l 125 kW TDI diesel engine with dual clutch gearbox	Standard tyres	205/55 R 16 94V	6 J x 16 ⇒ <a href="#">page 327</a>	50	Yes	
	Modification	205/55 R 16 94V/W	6 <sup>1</sup> / <sub>2</sub> J x 16 ⇒ <a href="#">page 328</a>	50	No	
		225/45 R 17 94V/W/** ⇒ <a href="#">page 315</a>	7 J x 17 ⇒ <a href="#">page 333</a>	47	No	
	Winter tyres	205/55 R 16 94T/H	6 J x 16 ⇒ <a href="#">page 327</a>	50	Yes	

Tyre inflation pressures are located on a sticker in fuel tank flap or in ⇒ Maintenance ; Booklet ; Check tyres: condition, profile, inflation pressure, depth of tread .

## 34.2 Touran, type 1T model year 2007 to model year 2010

Appendix to certificate statement 8106807107

The certificate statement can be found on the Volkswagen ServiceNet under Accessories/Tyres, Wheels and Tyres, Wheels and Tyres Guide.

Type approval number: e1\*2001/116\*0211\*12 to e1\*2001/116\*0211\*22

### Overview

Model engine output	Tyres	Tyre size	Wheel rim	Off-set in mm	Snow chains	Remarks
2.0l 80 kW Eco-Fuel	Standard tyres	195/65 R 15 91H	6 J x 15 ⇒ <a href="#">page 325</a>	47	Yes	



Model engine output	Tyres	Tyre size	Wheel rim	Off-set in mm	Snow chains	Remarks
1.9l 66 kW TDI diesel engine	Modification	195/65 R 15 91T	6 J x 15 ⇒ <a href="#">page 325</a>	47	Yes	General information on: ◆ Winter tyres ⇒ <a href="#">page 14</a> ◆ Snow chains ⇒ <a href="#">page 17</a>  Tyre makes recommended by Volkswagen: ◆ Summer tyres ⇒ <a href="#">page 508</a> ◆ All-season tyres ⇒ <a href="#">page 524</a> ◆ Winter tyres ⇒ <a href="#">page 535</a>  * 225/45 R 17 91H/V/W tyres on 7 J x 17 rims with an offset of 47 are permitted only on vehicles with sports running gear and wheel housing extensions (FLAPS).
		195/65 R 15 91T/H/V	6 <sup>1</sup> / <sub>2</sub> J x 15 ⇒ <a href="#">page 326</a>	50	Yes	
		195/65 R 15 91V	6 J x 15 ⇒ <a href="#">page 325</a>	47	Yes	
		205/60 R 15 91T/H/V	6 <sup>1</sup> / <sub>2</sub> J x 15 ⇒ <a href="#">page 326</a>	50	Yes	
		205/55 R 16 91T/H/V/W	6 J x 16 ⇒ <a href="#">page 327</a>	50	Yes	
		205/55 R 16 91T/H/V/W	6 <sup>1</sup> / <sub>2</sub> J x 16 ⇒ <a href="#">page 328</a>	50	No	
		225/45 R 17 91T/H/V/W *	7 J x 17 ⇒ <a href="#">page 333</a>	47	No	
	Winter tyres	195/65 R 15 91T/H	6 J x 15 ⇒ <a href="#">page 325</a>	47	Yes	
		205/55 R 16 91T/H	6 J x 16 ⇒ <a href="#">page 327</a>	50	Yes	
1.6l 75 kW 1.6l 85 kW petrol engine; 1.9l 77 kW TDI diesel engine with manual gearbox 2.0l 77 kW TDI diesel engine with manual gearbox	Standard tyres	195/65 R 15 91H	6 J x 15 ⇒ <a href="#">page 325</a>	47	Yes	
	Modification	195/65 R 15 91T	6 J x 15 ⇒ <a href="#">page 325</a>	47	Yes	
		195/65 R 15 91T/H/V	6 <sup>1</sup> / <sub>2</sub> J x 15 ⇒ <a href="#">page 326</a>	50	Yes	
		195/65 R 15 91V	6 J x 15 ⇒ <a href="#">page 325</a>	47	Yes	
		205/60 R 15 91T/H/V	6 <sup>1</sup> / <sub>2</sub> J x 15 ⇒ <a href="#">page 326</a>	50	Yes	



Model engine output	Tyres	Tyre size	Wheel rim	Off-set in mm	Snow chains	Remarks
		205/55 R 16 91T/H/V/W	6 J x 16 ⇒ <a href="#">page 327</a>	50	Yes	* 225/45 R 17 91H/V/W tyres on 7 J x 17 rims with an offset of 47 are permitted only on vehicles with sports running gear and wheel housing extensions (FLAPS). *** 225/40 R 18 92Y tyres on 7 1/2 J x 18 rims with an offset of 49 are permitted only on vehicles with sports running gear, a rear axle camber value of -1°20' and wheel housing extensions (FLAPS) on the rear axle!
		205/55 R 16 91T/H/V/W	6 1/2 J x 16 ⇒ <a href="#">page 328</a>	50	No	
		225/45 R 17 91T/H/V/W * ⇒ <a href="#">page 317</a>	7 J x 17 ⇒ <a href="#">page 333</a>	47	No	
		225/40 R 18 92Y*** ⇒ <a href="#">page 317</a>	7 1/2 J x 18 ⇒ <a href="#">page 334</a>	49	No	
	Winter tyres	195/65 R 15 91T/H	6 J x 15 ⇒ <a href="#">page 325</a>	47	Yes	
		205/55 R 16 91T/H	6 J x 16 ⇒ <a href="#">page 327</a>	50	Yes	
1.4l 110 kW EcoFuel	Standard tyres	205/55 R 16 91H/V/W	6 J x 16 ⇒ <a href="#">page 327</a>	50	Yes	
	Modification	205/55 R 16 91H/V/W	6 1/2 J x 16 ⇒ <a href="#">page 328</a>	50	No	
	Winter tyres	205/55 R 16 91T/H	6 J x 16 ⇒ <a href="#">page 327</a>	50	Yes	
1.4l 103 kW 2.0l 100 kW petrol engine 2.0l 100 kW TDI diesel engine 2.0l 103 kW TDI diesel engine with manual gearbox	Standard tyres	195/65 R 15 91H	6 J x 15 ⇒ <a href="#">page 325</a>	47	Yes	
	Modification	195/65 R 15 91V	6 J x 15 ⇒ <a href="#">page 325</a>	47	Yes	
		195/65 R 15 91H/V	6 1/2 J x 15 ⇒ <a href="#">page 326</a>	50	Yes	
		205/60 R 15 91H/V	6 1/2 J x 15 ⇒ <a href="#">page 326</a>	50	Yes	
		205/55 R 16 91H/V/W	6 J x 16 ⇒ <a href="#">page 327</a>	50	Yes	



Model engine output	Tyres	Tyre size	Wheel rim	Offset in mm	Snow chains	Remarks
		205/55 R 16 91H/V/W	6 <sup>1</sup> / <sub>2</sub> J x 16 ⇒ <a href="#">page 328</a>	50	No	<p>* 225/45 R 17 91H/V/W tyres on 7 J x 17 rims with an offset of 47 are permitted only on vehicles with sports running gear and wheel housing extensions (FLAPS).</p> <p>*** 225/40 R 18 92Y*** tyres on 7<sup>1</sup>/<sub>2</sub> J x 18 rims with an offset of 49 are permitted only on vehicles with sports running gear, a rear axle camber value of -1°20' and wheel housing extensions (FLAPS) on the rear axle!</p>
		225/45 R 17 91H/V/W * ⇒ <a href="#">page 318</a>	7 J x 17 ⇒ <a href="#">page 333</a>	47	No	
		225/40 R 18 92Y*** ⇒ <a href="#">page 318</a>	7 <sup>1</sup> / <sub>2</sub> J x 18 ⇒ <a href="#">page 334</a>	49	No	
	Winter tyres	195/65 R 15 91T/H	6 J x 15 ⇒ <a href="#">page 325</a>	47	Yes	
		205/55 R 16 91T/H	6 J x 16 ⇒ <a href="#">page 327</a>	50	Yes	
1.9l 77 kW TDI diesel engine with dual clutch gearbox 2.0l 77 kW TDI diesel engine with dual clutch gearbox 2.0l 103 kW TDI diesel engine with dual clutch gearbox	Standard tyres	195/65 R 15 95H	6 J x 15 ⇒ <a href="#">page 325</a>	47	Yes	<p>* The 225/45 R 17 94H/V/W tyres on 7 J x 17 wheels with offset 47 is permitted only on vehicles with sports suspension and wheel housing extensions (FLAPS)!</p>
	Modification	195/65 R 15 95H	6 <sup>1</sup> / <sub>2</sub> J x 15 ⇒ <a href="#">page 326</a>	50	Yes	
		205/60 R 15 95H/V	6 <sup>1</sup> / <sub>2</sub> J x 15 ⇒ <a href="#">page 326</a>	50	Yes	
		205/55 R 16 94V	6 J x 16 ⇒ <a href="#">page 327</a>	50	Yes	
		205/55 R 16 94V	6 <sup>1</sup> / <sub>2</sub> J x 16 ⇒ <a href="#">page 328</a>	50	No	
		225/45 R 17 94H/V/W * ⇒ <a href="#">page 318</a>	7 J x 17 ⇒ <a href="#">page 333</a>	47	No	





Model engine output	Tyres	Tyre size	Wheel rim	Off-set in mm	Snow chains	Remarks
		225/40 R 18 92Y*** ⇒ <a href="#">page 319</a>	7 1/2 J x 18 ⇒ <a href="#">page 334</a>	49	No	*** 225/40 R 18 92Y tyres on 7 1/2 J x 18 rims with an offset of 49 are permitted only on vehicles with sports running gear, a rear axle camber value of -1°20' and wheel housing extensions (FLAPS) on the rear axle!
	Winter tyres	195/65 R 15 95T/H	6 J x 15 ⇒ <a href="#">page 325</a>	47	Yes	
		205/55 R 16 94T/H	6 J x 16 ⇒ <a href="#">page 327</a>	50	Yes	
1.4l 125 kW petrol engine	Standard tyres	205/55 R 16 91V	6 J x 16 ⇒ <a href="#">page 327</a>	50	Yes	** 225/45 R 17 91V/W tyres on 7 J x 17 rims with an offset of 47 are permitted only on vehicles with sports running gear and wheel housing extensions (FLAPS). *** 225/40 R 18 92Y tyres on 7 1/2 J x 18 rims with an offset of 49 are permitted only on vehicles with sports running gear, a rear axle camber value of -1°20' and wheel housing extensions (FLAPS) on the rear axle!
2.0l 125 kW TDI diesel engine with manual gearbox	Modification	205/55 R 16 91V/W	6 1/2 J x 16 ⇒ <a href="#">page 328</a>	50	No	
		225/45 R 17 91V/W** ⇒ <a href="#">page 319</a>	7 J x 17 ⇒ <a href="#">page 333</a>	47	No	
		225/40 R 18 92Y*** ⇒ <a href="#">page 319</a>	7 1/2 J x 18 ⇒ <a href="#">page 334</a>	49	No	
	Winter tyres	205/55 R 16 91T/H	6 J x 16 ⇒ <a href="#">page 327</a>	50	Yes	
2.0l 125 kW TDI diesel engine with dual clutch gearbox	Standard tyres	205/55 R 16 94V	6 J x 16 ⇒ <a href="#">page 327</a>	50	Yes	
	Modification	205/55 R 16 94V/W	6 1/2 J x 16 ⇒ <a href="#">page 328</a>	50	No	
		225/45 R 17 94V/W ** ⇒ <a href="#">page 319</a>	7 J x 17 ⇒ <a href="#">page 333</a>	47	No	



Model engine output	Tyres	Tyre size	Wheel rim	Off-set in mm	Snow chains	Remarks
		225/40 R 18 92Y*** ⇒ <a href="#">page 320</a>	7 <sup>1</sup> / <sub>2</sub> J x 18 ⇒ <a href="#">page 334</a>	49	No	*** 225/40 R 18 92Y tyres on 7 <sup>1</sup> / <sub>2</sub> J x 18 rims with an offset of 49 are permitted only on vehicles with sports running gear, a rear axle camber value of -1°20' and wheel housing extensions (FLAPS) on the rear axle!
	Winter tyres	205/55 R 16 94T/H	6 J x 16 ⇒ <a href="#">page 327</a>	50	Yes	

Tyre inflation pressures are located on a sticker in fuel tank flap or in ⇒ Maintenance ; Booklet ; Check tyres: condition, profile, inflation pressure, depth of tread .

### 34.3 Touran, type 1T model year 2011

Appendix to certificate statement 8106807107

The certificate statement can be found on the Volkswagen ServiceNet under Accessories/Tyres, Wheels and Tyres, Wheels and Tyres Guide.

Type Approval No.: e1\*2001/116\*0211\*23

#### Overview

Model engine output	Tyres	Tyre size	Wheel rim	Off-set in mm	Snow chains	Remarks
1.2l 77 kW petrol engine	Standard tyres	195/65 R 15 91T	6 J x 15 ⇒ <a href="#">page 325</a>	47	Yes	
	Modification	195/65 R 15 91H/V	6 J x 15 ⇒ <a href="#">page 325</a>	47	Yes	General information on: ◆ Winter tyres ⇒ <a href="#">page 14</a> ◆ Snow chains ⇒ <a href="#">page 17</a>
		195/65 R 15 91T/H/V	6 <sup>1</sup> / <sub>2</sub> J x 15 ⇒ <a href="#">page 326</a>	50	Yes	Tyre makes recommended by Volkswagen:
		205/60 R 15 91T/H/V	6 <sup>1</sup> / <sub>2</sub> J x 15 ⇒ <a href="#">page 326</a>	50	Yes	◆ Summer tyres ⇒ <a href="#">page 508</a> ◆ All-season tyres ⇒ <a href="#">page 524</a> ◆ Winter tyres ⇒ <a href="#">page 535</a>
		205/55 R 16 91T/H/V/W	6 J x 16 ⇒ <a href="#">page 327</a>	50	Yes	



Model engine output	Tyres	Tyre size	Wheel rim	Off-set in mm	Snow chains	Remarks	
		205/55 R 16 91T/H/V/W	6 <sup>1</sup> / <sub>2</sub> J x 16 ⇒ <a href="#">page 328</a>	50	No	<p>* 225/45 R 17 91H/V/W tyres on 7 J x 17 rims with an offset of 47 are permitted only on vehicles with sports running gear and wheel housing extensions (FLAPS).</p> <p>** 225/40 R 18 92Y tyres on 7<sup>1</sup>/<sub>2</sub> J x 18 rims with an offset of 49 are permitted only on vehicles with sports running gear, a rear axle camber value of -1°20' and wheel housing extensions (FLAPS) on the rear axle!</p>	
		205/50 R 17 93T/H/V	6 J x 17 ⇒ <a href="#">page 332</a>	48.5	No		
		225/45 R 17 91T/H/V/W * ⇒ <a href="#">page 321</a>	7 J x 17 ⇒ <a href="#">page 333</a>	47	No		
		225/40 R 18 92Y** ⇒ <a href="#">page 321</a>	7 <sup>1</sup> / <sub>2</sub> J x 18 ⇒ <a href="#">page 334</a>	49	No		
	Winter tyres	195/65 R 15 91T/H	6 J x 15 ⇒ <a href="#">page 325</a>	47	Yes		
		205/55 R 16 91T/H	6 J x 16 ⇒ <a href="#">page 327</a>	50	Yes		
	1.6l 77 kW TDI diesel engine	Standard tyres	195/65 R 15 95T	6 J x 15 ⇒ <a href="#">page 325</a>	47		Yes
		Modification	195/65 R 15 95H/V	6 J x 15 ⇒ <a href="#">page 325</a>	47		Yes
			195/65 R 15 95T/H/V	6 <sup>1</sup> / <sub>2</sub> J x 15 ⇒ <a href="#">page 326</a>	50		Yes
			205/60 R 15 95T/H/V	6 <sup>1</sup> / <sub>2</sub> J x 15 ⇒ <a href="#">page 326</a>	50		Yes
		205/55 R 16 94T/H/V/W	6 J x 16 ⇒ <a href="#">page 327</a>	50	Yes		
		205/55 R 16 94T/H/V/W	6 <sup>1</sup> / <sub>2</sub> J x 16 ⇒ <a href="#">page 328</a>	50	No		
		205/50 R 17 93T/H/V	6 J x 17 ⇒ <a href="#">page 332</a>	48.5	No		



Model engine output	Tyres	Tyre size	Wheel rim	Off-set in mm	Snow chains	Remarks
		225/45 R 17 94T/H/V/W * ⇒ <a href="#">page 322</a>	7 J x 17 ⇒ <a href="#">page 333</a>	47	No	* 225/45 R 17 94H/V/W tyres on 7 J x 17 rims with an offset of 47 are permitted only on vehicles with sports suspension and wheel housing extensions (FLAPS)!
		225/40 R 18 92Y** ⇒ <a href="#">page 322</a>	7 <sup>1</sup> / <sub>2</sub> J x 18 ⇒ <a href="#">page 334</a>	49	No	** 225/40 R 18 92Y tyres on 7 <sup>1</sup> / <sub>2</sub> J x 18 rims with an offset of 49 are permitted only on vehicles with sports running gear, a rear axle camber value of -1°20' and wheel housing extensions (FLAPS) on the rear axle!
	Winter tyres	195/65 R 15 91T/H	6 J x 15 ⇒ <a href="#">page 325</a>	47	Yes	
		205/55 R 16 91T/H	6 J x 16 ⇒ <a href="#">page 327</a>	50	Yes	
1.4l 103 kW petrol engine	Standard tyres	195/65 R 15 91H	6 J x 15 ⇒ <a href="#">page 325</a>	47	Yes	
	Modification	195/65 R 15 91V	6 J x 15 ⇒ <a href="#">page 325</a>	47	Yes	
		195/65 R 15 91H/V	6 <sup>1</sup> / <sub>2</sub> J x 15 ⇒ <a href="#">page 326</a>	50	Yes	
		205/60 R 15 91H/V	6 <sup>1</sup> / <sub>2</sub> J x 15 ⇒ <a href="#">page 326</a>	50	Yes	
		205/55 R 16 91H/V/W	6 J x 16 ⇒ <a href="#">page 327</a>	50	Yes	
		205/55 R 16 91H/V/W	6 <sup>1</sup> / <sub>2</sub> J x 16 ⇒ <a href="#">page 328</a>	50	No	
		205/50 R 17 93H/V/W	6 J x 17 ⇒ <a href="#">page 332</a>	48.5	No	
		225/45 R 17 91H/V/W * ⇒ <a href="#">page 322</a>	7 J x 17 ⇒ <a href="#">page 333</a>	47	No	* 225/45 R 17 91H/V/W tyres on 7 J x 17 rims with an offset of 47 are permitted only on vehicles with sports running gear and wheel housing extensions (FLAPS).



Model engine output	Tyres	Tyre size	Wheel rim	Off-set in mm	Snow chains	Remarks
		225/40 R 18 92Y** ⇒ <a href="#">page 323</a>	7 1/2 J x 18 ⇒ <a href="#">page 334</a>	49	No	** 225/40 R 18 92Y tyres on 7 1/2 J x 18 rims with an offset of 49 are permitted only on vehicles with sports running gear, a rear axle camber value of -1°20' and wheel housing extensions (FLAPS) on the rear axle!
	Winter tyres	195/65 R 15 91T/H	6 J x 15 ⇒ <a href="#">page 325</a>	47	Yes	
		205/55 R 16 91T/H	6 J x 16 ⇒ <a href="#">page 327</a>	50	Yes	
	Standard tyres	205/55 R 16 91H	6 J x 16 ⇒ <a href="#">page 327</a>	50	Yes	
	Modification	205/55 R 16 91H/V/W	6 J x 16 ⇒ <a href="#">page 327</a>	50	Yes	
2.0l 103 kW TDI diesel engine with manual gearbox		205/55 R 16 91H/V/W	6 1/2 J x 16 ⇒ <a href="#">page 328</a>	50	No	
		205/50 R 17 93H/V/W	6 J x 17 ⇒ <a href="#">page 332</a>	48,5	No	
		225/45 R 17 91H/V/W * ⇒ <a href="#">page 323</a>	7 J x 17 ⇒ <a href="#">page 333</a>	47	No	* 225/45 R 17 94H/V/W tyres on 7 J x 17 rims with an offset of 47 are permitted only on vehicles with sports suspension and wheel housing extensions (FLAPS)!
		225/40 R 18 92Y** ⇒ <a href="#">page 323</a>	7 1/2 J x 18 ⇒ <a href="#">page 334</a>	49	No	** 225/40 R 18 92Y tyres on 7 1/2 J x 18 rims with an offset of 49 are permitted only on vehicles with sports running gear, a rear axle camber value of -1°20' and wheel housing extensions (FLAPS) on the rear axle!
	Winter tyres	205/55 R 16 94T/H	6 J x 16 ⇒ <a href="#">page 327</a>	50	Yes	
2.0l 103 kW TDI diesel engine with dual clutch gearbox	Standard tyres	205/55 R 16 94H	6 J x 16 ⇒ <a href="#">page 327</a>	50	Yes	
	Modification	205/55 R 16 94V/W	6 J x 16 ⇒ <a href="#">page 327</a>	50	Yes	



Model engine output	Tyres	Tyre size	Wheel rim	Off-set in mm	Snow chains	Remarks
		205/55 R 16 94H/V/W	6 <sup>1</sup> / <sub>2</sub> J x 16 ⇒ <a href="#">page 328</a>	50	No	<p>* 225/45 R 17 94H/V/W tyres on 7 J x 17 rims with an offset of 47 are permitted only on vehicles with sports suspension and wheel housing extensions (FLAPS)!</p> <p>** 225/40 R 18 92Y tyres on 7<sup>1</sup>/<sub>2</sub> J x 18 rims with an offset of 49 are permitted only on vehicles with sports running gear, a rear axle camber value of -1°20' and wheel housing extensions (FLAPS) on the rear axle!</p>
		205/50 R 17 93H/V/W	6 J x 17 ⇒ <a href="#">page 332</a>	48.5	No	
		225/45 R 17 94H/V/W * ⇒ <a href="#">page 324</a>	7 J x 17 ⇒ <a href="#">page 333</a>	47	No	
		225/40 R 18 92Y** ⇒ <a href="#">page 324</a>	7 <sup>1</sup> / <sub>2</sub> J x 18 ⇒ <a href="#">page 334</a>	49	No	
	Winter tyres	205/55 R 16 94T/H	6 J x 16 ⇒ <a href="#">page 327</a>	50	Yes	
1.4l 125 kW petrol engine	Standard tyres	205/55 R 16 91V	6 J x 16 ⇒ <a href="#">page 327</a>	50	Yes	<p>** 225/45 R 17 91V/W tyres on 7 J x 17 rims with an offset of 47 are permitted only on vehicles with sports running gear and wheel housing extensions (FLAPS).</p> <p>*** 225/40 R 18 92Y tyres on 7<sup>1</sup>/<sub>2</sub> J x 18 rims with an offset of 49 are permitted only on vehicles with sports running gear, a rear axle camber value of -1°20' and wheel housing extensions (FLAPS) on the rear axle!</p>
	Modification	205/55 R 16 91V/W	6 <sup>1</sup> / <sub>2</sub> J x 16 ⇒ <a href="#">page 328</a>	50	No	
		205/50 R 17 93V/W	6 J x 17 ⇒ <a href="#">page 332</a>	48.5	No	
		225/45 R 17 91V/W ** ⇒ <a href="#">page 324</a>	7 J x 17 ⇒ <a href="#">page 333</a>	47	No	
		225/40 R 18 92Y*** ⇒ <a href="#">page 324</a>	7 <sup>1</sup> / <sub>2</sub> J x 18 ⇒ <a href="#">page 334</a>	49	No	
	Winter tyres	205/55 R 16 91T/H	6 J x 16 ⇒ <a href="#">page 327</a>	50	Yes	



Model engine output	Tyres	Tyre size	Wheel rim	Off-set in mm	Snow chains	Remarks
2.0l 125 kW TDI diesel engine	Standard tyres	205/55 R 16 94V	6 J x 16 ⇒ <a href="#">page 327</a>	50	Yes	
	Modification	205/55 R 16 94V/W	6 1/2 J x 16 ⇒ <a href="#">page 328</a>	50	No	
		205/50 R 17 93V/W	6 J x 17 ⇒ <a href="#">page 332</a>	48.5	No	
		225/45 R 17 94V/W * ⇒ <a href="#">page 325</a>	7 J x 17 ⇒ <a href="#">page 333</a>	47	No	* 225/45 R 17 94V/W tyres on 7 J x 17 rims with an offset of 47 are permitted only on vehicles with sports running gear and wheel housing extensions (flaps).
		225/40 R 18 92Y** ⇒ <a href="#">page 325</a>	7 1/2 J x 18 ⇒ <a href="#">page 334</a>	49	No	** 225/40 R 18 92Y tyres on 7 1/2 J x 18 rims with an offset of 49 are permitted only on vehicles with sports running gear, a rear axle camber value of -1°20' and wheel housing extensions (FLAPS) on the rear axle!
Winter tyres	205/55 R 16 94T/H	6 J x 16 ⇒ <a href="#">page 327</a>	50	Yes		

Tyre inflation pressures are located on a sticker in fuel tank flap or in ⇒ Maintenance ; Booklet ; Check tyres: condition, profile, inflation pressure, depth of tread .

### 34.4 Wheel allocation for Touran, type 1T model year 2003 to model year 2011

Explanation of information on wheels ⇒ [page 58](#)

Torque settings for wheel bolts ⇒ Running gear, axles, steering;  
Rep. gr. 44 ; Torque settings for fitting wheels

Pitch circle diameter:  112 mm

Number of wheel bolt holes: 5

#### 34.4.1 6 J x 15



**Caution**

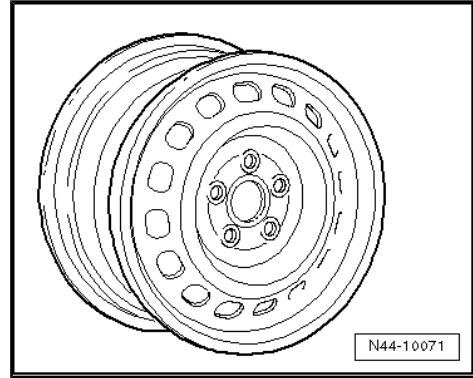
*Observe the allocation of wheels and tyres to the respective engines, which are listed in the overview table ⇒ [page 312](#) .*



**1K0 601 027 C, 1K0 601 027 H - Wheel and tyre combination**  
⇒ [page 312](#)

Only for vehicles to maximum permissible axle load of 1,230 kg

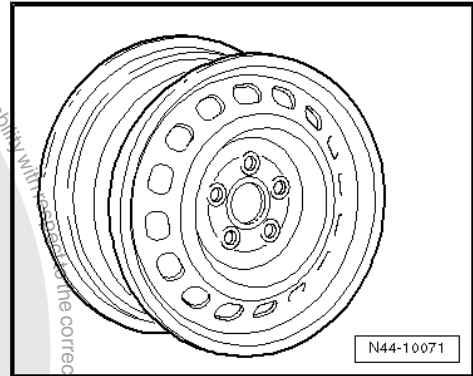
Size:	6 J x 15
Wheel offset in mm:	47
Wheel load in kg:	615



**1K0 601 027 T, 1K0 601 027 AG - Wheel and tyre combination**  
⇒ [page 312](#)

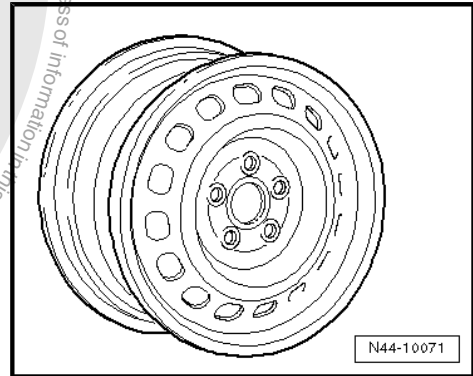
Only for vehicles to maximum permissible axle load of 1,230 kg

Size:	6 J x 15
Wheel offset in mm:	47
Wheel load in kg:	615



**2K0 601 027 - Wheel and tyre combination** ⇒ [page 312](#)

Size:	6 J x 15
Wheel offset in mm:	47
Wheel load in kg:	650



**34.4.2 6<sup>1</sup>/<sub>2</sub> J x 15**



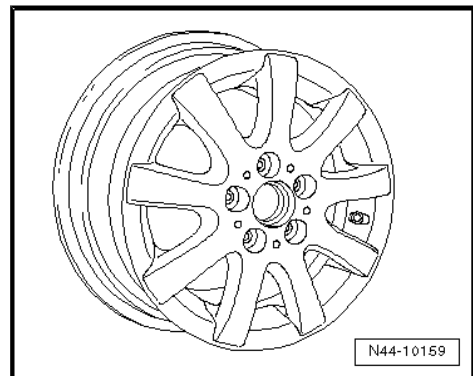
**Caution**

*Observe the allocation of wheels and tyres to the respective engines, which are listed in the overview table ⇒ [page 312](#).*

**1K0 601,025 A - Wheel and tyre combination** ⇒ [page 313](#)

Only for vehicles to maximum permissible axle load of 1,200 kg

Size:	6 <sup>1</sup> / <sub>2</sub> J x 15
Wheel offset in mm:	50
Wheel load in kg:	600



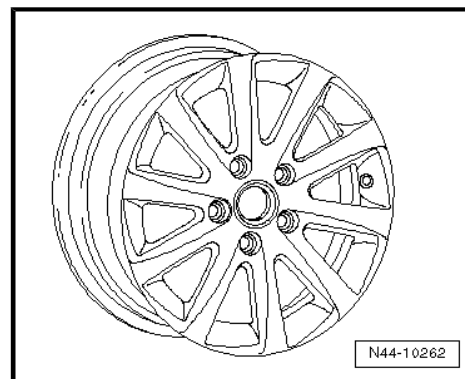




**1K0 601 025 AK - Wheel and tyre combination ⇒ page 313**

Only for vehicles to maximum permissible axle load of 1,200 kg

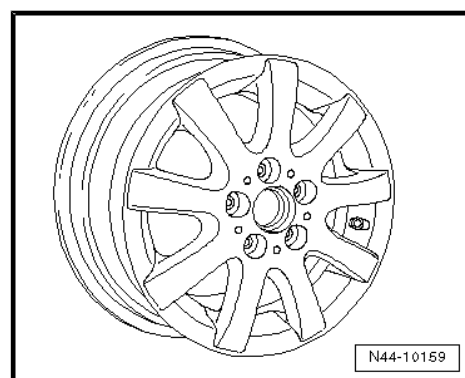
Size:	6 <sup>1</sup> / <sub>2</sub> J x 15
Wheel offset in mm:	50
Wheel load in kg:	600



**1K0 601 025 AQ - Wheel and tyre combination ⇒ page 313**

Only for vehicles to maximum permissible axle load of 1,200 kg

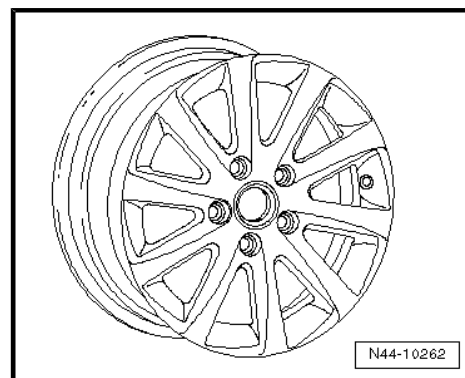
Size:	6 <sup>1</sup> / <sub>2</sub> J x 15
Wheel offset in mm:	50
Wheel load in kg:	600



**1K0 601 025 CA - Wheel and tyre combination ⇒ page 313**

Only for vehicles to maximum permissible axle load of 1,200 kg

Size:	6 <sup>1</sup> / <sub>2</sub> J x 15
Wheel offset in mm:	50
Wheel load in kg:	600



**34.4.3 6 J x 16**



**Caution**

*Observe the allocation of wheels and tyres to the respective engines, which are listed in the overview table ⇒ page 312 .*

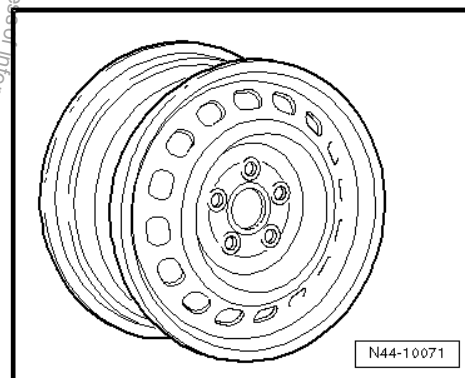
**8P0 601 027 - Wheel and tyre combination ⇒ page 313**

Only for vehicles to maximum permissible axle load of 1,200 kg

Size:	6 J x 16
Wheel offset in mm:	50
Wheel load in kg:	600

Use the following wheel bolt caps for wheel bolts:

- ◆ 1K0.601.173 (4 per wheel)
- ◆ 1K0.601.173.A (1 per wheel)

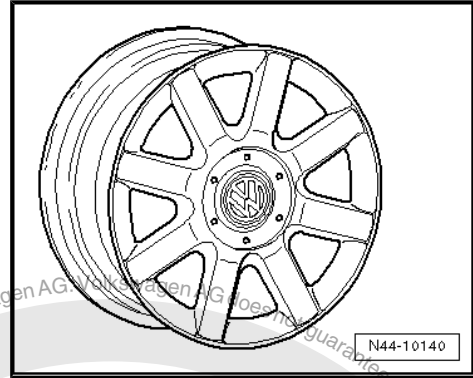




**1K0 601 025 Q - Wheel and tyre combination ⇒ page 313**

Only for vehicles to maximum permissible axle load of 1,230 kg

Size:	6 J x 16 EH2 ⇒ page 58
Wheel offset in mm:	50
Wheel load in kg:	615



**34.4.4 6<sup>1</sup>/<sub>2</sub> J x 16**



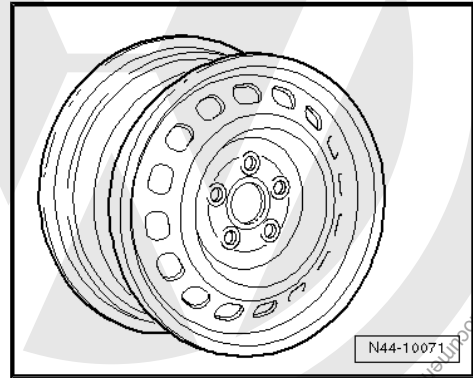
**Caution**

*Observe the allocation of wheels and tyres to the respective engines, which are listed in the overview table ⇒ page 312 .*

**1K0 601 027 A, 1K0 601 027 AH - Wheel and tyre combination ⇒ page 313**

Only for vehicles to maximum permissible axle load of 1,230 kg

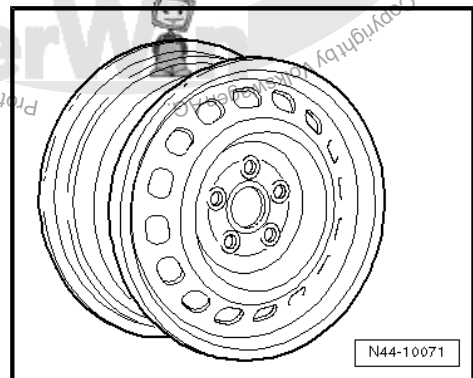
Size:	6 <sup>1</sup> / <sub>2</sub> J x 16
Wheel offset in mm:	50
Wheel load in kg:	615



**1K0 601 027 J - Wheel and tyre combination ⇒ page 313**

Only for vehicles to maximum permissible axle load of 1,230 kg

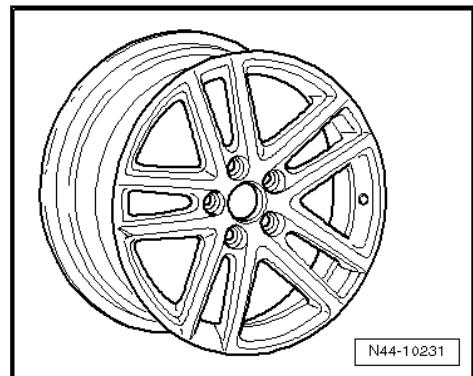
Size:	6 <sup>1</sup> / <sub>2</sub> J x 16
Wheel offset in mm:	50
Wheel load in kg:	615



**1K0 601 025 AJ - Wheel and tyre combination ⇒ page 313**

Only for vehicles to maximum permissible axle load of 1,230 kg

Size:	6 <sup>1</sup> / <sub>2</sub> J x 16
Wheel offset in mm:	50
Wheel load in kg:	615

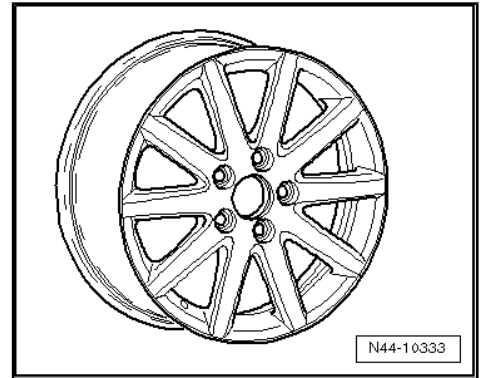




**1K0 601 025 BC - Wheel and tyre combination ⇒ page 313**

Only for vehicles to maximum permissible axle load of 1,230 kg

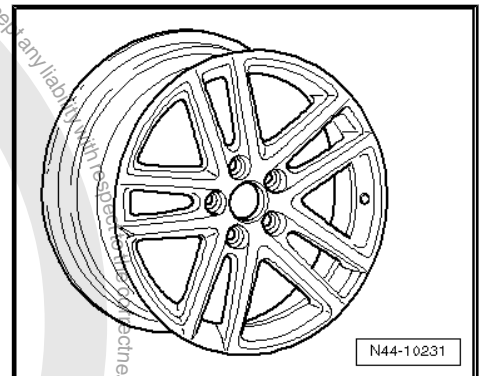
Size:	6 <sup>1</sup> / <sub>2</sub> J x 16
Wheel offset in mm:	50
Wheel load in kg:	615



**1K0 601 025 BM - Wheel and tyre combination ⇒ page 313**

Only for vehicles to maximum permissible axle load of 1,230 kg

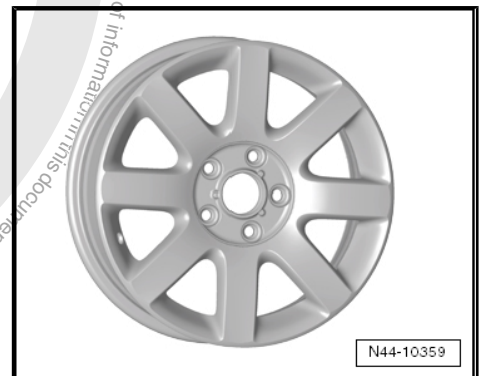
Size:	6 <sup>1</sup> / <sub>2</sub> J x 16
Wheel offset in mm:	50
Wheel load in kg:	615



**1K0 601 025 BR - Wheel and tyre combination ⇒ page 313**

Only for vehicles to maximum permissible axle load of 1,230 kg

Size:	6 <sup>1</sup> / <sub>2</sub> J x 16
Wheel offset in mm:	50
Wheel load in kg:	615



**1K0 601 025 BS - Wheel and tyre combination ⇒ page 313**

Only for vehicles to maximum permissible axle load of 1,230 kg

Size:	6 <sup>1</sup> / <sub>2</sub> J x 16
Wheel offset in mm:	50
Wheel load in kg:	615

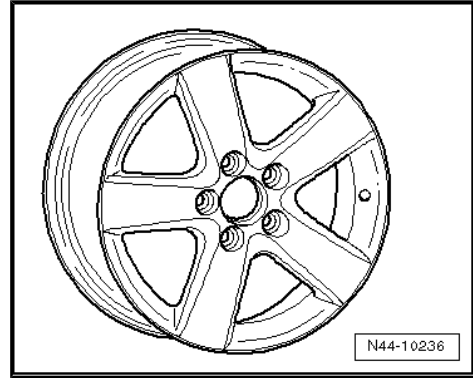




**1K0 601 025 CB - Wheel and tyre combination ⇒ page 313**

Only for vehicles to maximum permissible axle load of 1,230 kg

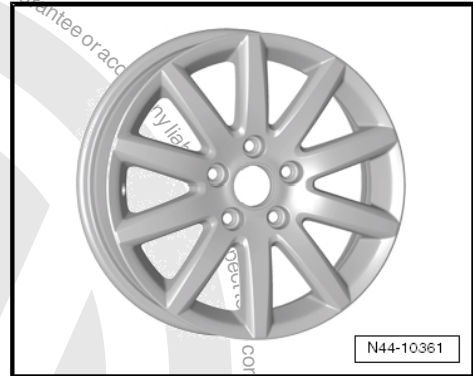
Size:	6 <sup>1</sup> / <sub>2</sub> J x 16
Wheel offset in mm:	50
Wheel load in kg:	615



**1K0 601 025 CG - Wheel and tyre combination ⇒ page 313**

Only for vehicles to maximum permissible axle load of 1,230 kg

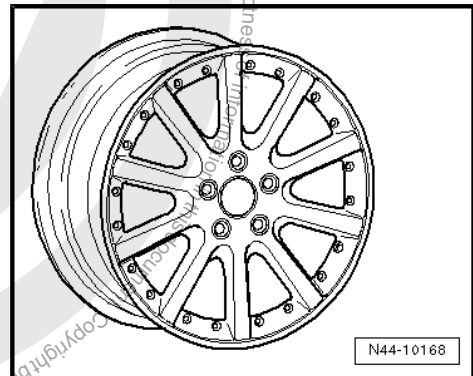
Size:	6 <sup>1</sup> / <sub>2</sub> J x 16
Wheel offset in mm:	50
Wheel load in kg:	615



**1K0 601 025 F - Wheel and tyre combination ⇒ page 313**

Only for vehicles to maximum permissible axle load of 1,230 kg

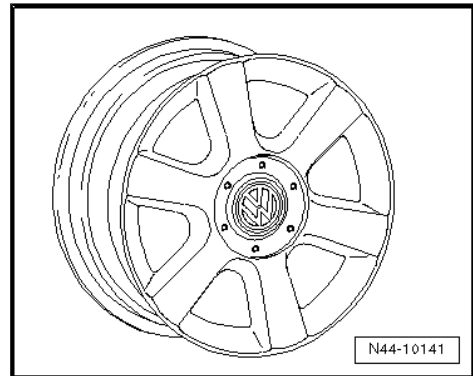
Size:	6 <sup>1</sup> / <sub>2</sub> J x 16
Wheel offset in mm:	50
Wheel load in kg:	615



**1T0 601 025 C - Wheel and tyre combination ⇒ page 313**

Only for vehicles to maximum permissible axle load of 1,230 kg

Size:	6 <sup>1</sup> / <sub>2</sub> J x 16
Wheel offset in mm:	50
Wheel load in kg:	615

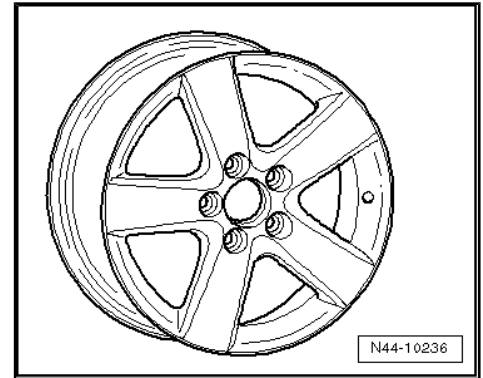




**1T0 601 025 G - Wheel and tyre combination ⇒ page 313**

Only for vehicles to maximum permissible axle load of 1,230 kg

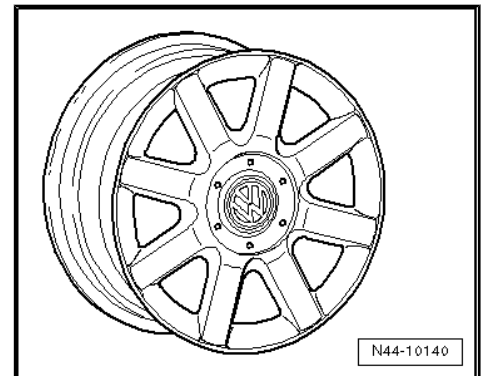
Size:	6 <sup>1</sup> / <sub>2</sub> J x 16
Wheel offset in mm:	50
Wheel load in kg:	615



**1K0 601 025 R - Wheel and tyre combination ⇒ page 313**

Only for vehicles to maximum permissible axle load of 1,230 kg

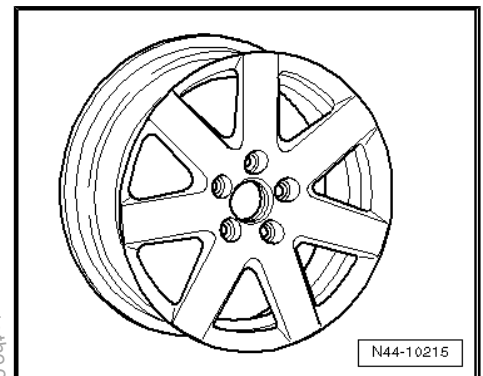
Size:	6 <sup>1</sup> / <sub>2</sub> J x 16
Wheel offset in mm:	50
Wheel load in kg:	615



**1K0 601 025 P - Wheel and tyre combination ⇒ page 313**

Only for vehicles to maximum permissible axle load of 1,230 kg

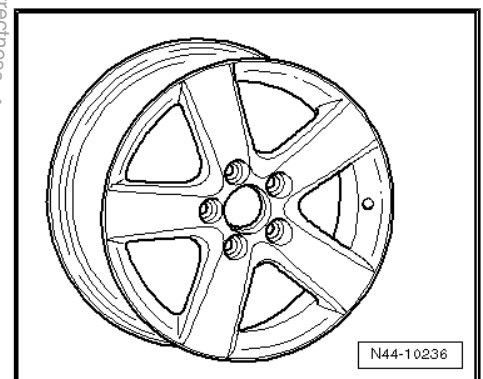
Size:	6 <sup>1</sup> / <sub>2</sub> J x 16
Wheel offset in mm:	50
Wheel load in kg:	615



**1T0 601 025 M - Wheel and tyre combination ⇒ page 313**

Only for vehicles to maximum permissible axle load of 1,230 kg

Size:	6 <sup>1</sup> / <sub>2</sub> J x 16
Wheel offset in mm:	50
Wheel load in kg:	615

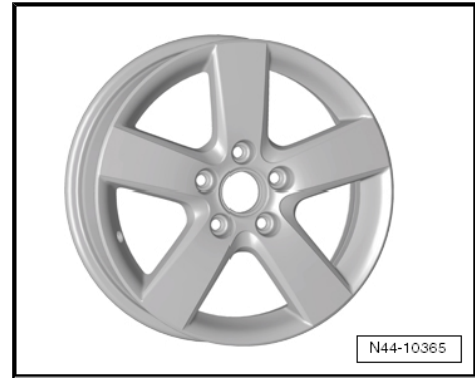




**1T0 601 025 R - Wheel and tyre combination ⇒ page 313**

Only for vehicles to maximum permissible axle load of 1,230 kg

Size:	6 <sup>1</sup> / <sub>2</sub> J x 16
Wheel offset in mm:	50
Wheel load in kg:	615



**1T0 601 025 S - Wheel and tyre combination ⇒ page 313**

Only for vehicles to maximum permissible axle load of 1,230 kg

Size:	6 <sup>1</sup> / <sub>2</sub> J x 16
Wheel offset in mm:	50
Wheel load in kg:	615



**5K0 601 025 E - Wheel and tyre combination ⇒ page 313**

Only for vehicles to maximum permissible axle load of 1,230 kg

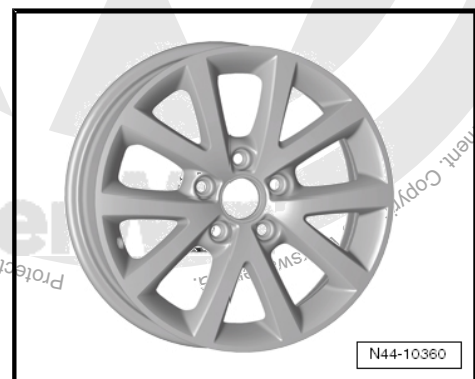
Size:	6 <sup>1</sup> / <sub>2</sub> J x 16
Wheel offset in mm:	50
Wheel load in kg:	615



**1K0 601 025 CJ - Wheel and tyre combination ⇒ page 313**

Only for vehicles to maximum permissible axle load of 1,230 kg

Size:	6 <sup>1</sup> / <sub>2</sub> J x 16
Wheel offset in mm:	50
Wheel load in kg:	615



**34.4.5 6 J x 17**



**Caution**

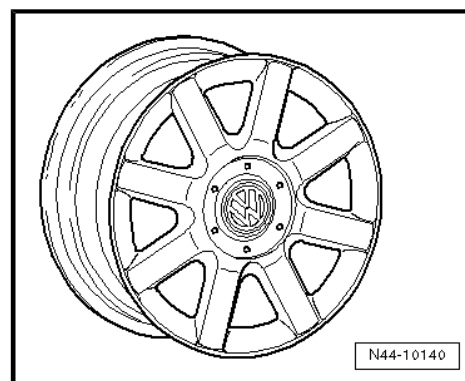
*Observe the allocation of wheels and tyres to the respective engines, which are listed in the overview table ⇒ page 312.*



**1K0 601 025 N - Wheel and tyre combination ⇒ page 321**

Only for vehicles to maximum permissible axle load of 1,230 kg

Size:	6 J x 17
Wheel offset in mm:	48.5
Wheel load in kg:	615



**34.4.6 7 J x 17**



**Caution**

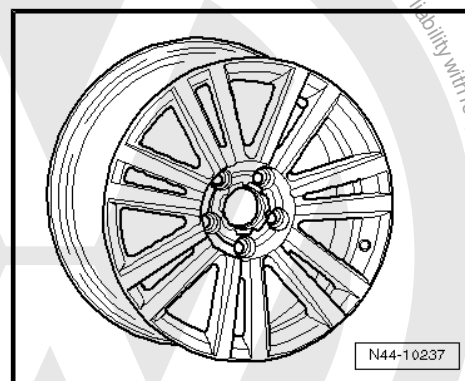
*Observe the allocation of wheels and tyres to the respective engines, which are listed in the overview table ⇒ page 312 .*

**1T0 601 025 F - Wheel and tyre combination ⇒ page 313**

Only on vehicles with sports suspension and wheel housing extensions (FLAPS)

Only for vehicles to maximum permissible axle load of 1,230 kg

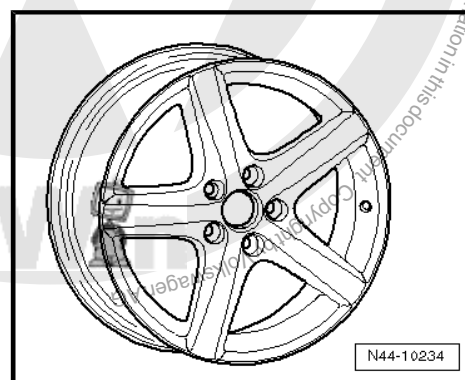
Size:	7 J x 17
Wheel offset in mm:	47
Wheel load in kg:	615



**1T0 601 025 H - Wheel and tyre combination ⇒ page 313**

Only on vehicles with sports suspension and wheel housing extensions (FLAPS)

Size:	7 J x 17
Wheel offset in mm:	47
Wheel load in kg:	630

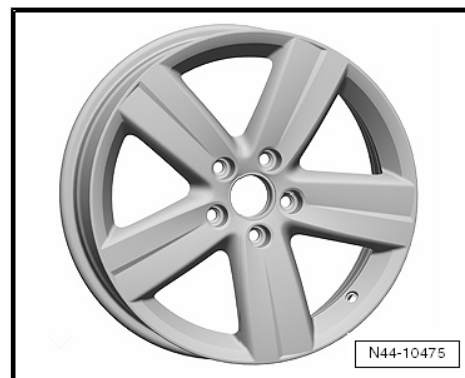


**1T0 601 025 T - Wheel and tyre combination ⇒ page 313**

Only on vehicles with sports suspension and wheel housing extensions (FLAPS)

Only for vehicles to maximum permissible axle load of 1,230 kg

Size:	7 J x 17
Wheel offset in mm:	47
Wheel load in kg:	615





### 34.4.7 7<sup>1</sup>/<sub>2</sub> J x 18



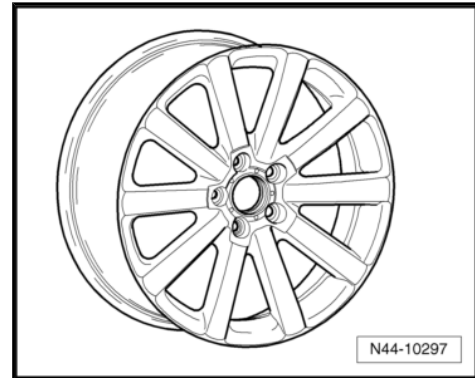
#### Caution

*Observe the allocation of wheels and tyres to the respective engines, which are listed in the overview table ⇒ [page 312](#).*

1T0 601 025 N - Wheel and tyre combination ⇒ [page 317](#)

Only on vehicles with sports suspension, a rear axle camber value of -1°20' and wheel housing extensions (FLAPS) on the rear axle

Size:	7 <sup>1</sup> / <sub>2</sub> J x 18
Wheel offset in mm:	49
Wheel load in kg:	630







## 35 CrossTouran from model year 2008

### General

Volkswagen vehicles are built according to the latest findings in safety engineering. To keep it that way, we recommend the use of only genuine Volkswagen spare parts. You can recognise this by the VW Audi logo and by the part number. It has been established that these parts are reliable, safe and suitable.

Despite constant appraisal of the market, we cannot assess other products on these points, even when in isolated cases they have been passed by official inspectors or have been granted official approval. Therefore, we cannot, of course, assume any liability if these products are installed.



#### WARNING

*The products from Volkswagen genuine parts and Votex genuine accessories may differ in fitting requirements, torque specifications and so on.*

*Always follow the respective fitting and operating instructions.*

The wheel and tyre combinations or changes listed in the vehicle tables refer exclusively to Volkswagen Genuine wheels. Approval of wheel and tyre combinations or a change to wheels from the accessories trade is not possible with the certificate statement attached here.



#### WARNING

*The fitting instructions and torque specifications for wheels from Votex genuine accessories may differ from those intended for wheels from Volkswagen genuine parts.*

*Therefore, always observe the torque settings for the wheel bolts as well as the respective fitting and operating instructions.*

### 35.1 CrossTouran, type 1T model year 2008 to model year 2009



#### Note

- ◆ *Vehicles were also manufactured where the chassis number was marked with model year 2007.*
- ◆ *Please check the type approval number against the respective COC documents for the respective vehicle ⇒ [page 6](#).*

Appendix to certificate statement 8106807107

The certificate statement can be found on the Volkswagen ServiceNet under Accessories/Tyres, Wheels and Tyres, Wheels and Tyres Guide.



Type approval number: e1\*2001/116\*0211\*15 to  
e1\*2001/116\*0211\*19

Overview

Model engine output	Tyres	Tyre size	Wheel rim	Off-set in mm	Snow chains	Remarks
1.6l 75 kW petrol engine	Standard tyres on front axle	215/50 R 17 91T	6 <sup>1</sup> / <sub>2</sub> J x 17 ⇒ <a href="#">page 341</a>	42	No	General information on: ◆ Winter tyres ⇒ <a href="#">page 14</a> ◆ Snow chains ⇒ <a href="#">page 17</a>
1.9l 77 kW TDI diesel engine with manual gearbox;	Standard tyres on rear axle	235/45 R 17 94T	8 J x 17 ⇒ <a href="#">page 342</a>	37	No	
2.0l 77 kW TDI diesel engine with manual gearbox	Modification	No changes are permissible apart from the standard wheel and tyre combinations!				
	Winter tyres	195/65 R 15 91T/H	6 J x 15 ⇒ <a href="#">page 340</a>	47	Yes	◆ Summer tyres ⇒ <a href="#">page 510</a> ◆ Winter tyres ⇒ <a href="#">page 536</a>
		205/55 R 16 91T/H	6 J x 16 ⇒ <a href="#">page 341</a>	50	Yes	
1.9l 77 kW TDI diesel engine with dual clutch gearbox;	Standard tyres on front axle	215/50 R 17 95T	6 <sup>1</sup> / <sub>2</sub> J x 17 ⇒ <a href="#">page 341</a>	42	No	
2.0l 77 kW TDI diesel engine with dual clutch gearbox	Standard tyres on rear axle	235/45 R 17 94T	8 J x 17 ⇒ <a href="#">page 342</a>	37	No	
	Modification	No changes are permissible apart from the standard wheel and tyre combinations!				
	Winter tyres	195/65 R 15 95T/H	6 J x 15 ⇒ <a href="#">page 340</a>	47	Yes	
		205/55 R 16 94T/H	6 J x 16 ⇒ <a href="#">page 341</a>	50	Yes	
2.0l 103 kW TDI diesel engine with dual clutch gearbox	Standard tyres on front axle	215/50 R 17 95H	6 <sup>1</sup> / <sub>2</sub> J x 17 ⇒ <a href="#">page 341</a>	42	No	
	Standard tyres on rear axle	235/45 R 17 94H	8 J x 17 ⇒ <a href="#">page 342</a>	37	No	
	Modification	No changes are permissible apart from the standard wheel and tyre combinations!				
	Winter tyres	195/65 R 15 95T/H	6 J x 15 ⇒ <a href="#">page 340</a>	47	Yes	
		205/55 R 16 94T/H	6 J x 16 ⇒ <a href="#">page 341</a>	50	Yes	



Model engine output	Tyres	Tyre size	Wheel rim	Off-set in mm	Snow chains	Remarks
1.4l 103 kW petrol engine	Standard tyres on front axle	215/50 R 17 91H	6 <sup>1</sup> / <sub>2</sub> J x 17 ⇒ <a href="#">page 341</a>	42	No	
2.0l 103 kW TDI diesel engine with manual gearbox	Standard tyres on rear axle	235/45 R 17 94H	8 J x 17 ⇒ <a href="#">page 342</a>	37	No	
	Modification	No changes are permissible apart from the standard wheel and tyre combinations!				
	Winter tyres	195/65 R 15 91T/H	6 J x 15 ⇒ <a href="#">page 340</a>	47	Yes	
205/55 R 16 91T/H		6 J x 16 ⇒ <a href="#">page 341</a>	50	Yes		
1.4l 125 kW petrol engine	Standard tyres on front axle	215/50 R 17 91V	6 <sup>1</sup> / <sub>2</sub> J x 17 ⇒ <a href="#">page 341</a>	42	No	
2.0l 125 kW TDI diesel engine with manual gearbox	Standard tyres on rear axle	235/45 R 17 94V	8 J x 17 ⇒ <a href="#">page 342</a>	37	No	
	Modification	No changes are permissible apart from the standard wheel and tyre combinations!				
	Winter tyres	205/55 R 16 91T/H	6 J x 16 ⇒ <a href="#">page 341</a>	50	Yes	
2.0l 125 kW TDI diesel engine with dual clutch gearbox	Standard tyres on front axle	215/50 R 17 95V	6 <sup>1</sup> / <sub>2</sub> J x 17 ⇒ <a href="#">page 341</a>	42	No	
	Standard tyres on rear axle	235/45 R 17 94V	8 J x 17 ⇒ <a href="#">page 342</a>	37	No	
	Modification	No changes are permissible apart from the standard wheel and tyre combinations!				
	Winter tyres	205/55 R 16 94T/H	6 J x 16 ⇒ <a href="#">page 341</a>	50	Yes	

Tyre inflation pressures are located on a sticker in fuel tank flap or in ⇒ Maintenance ; Booklet ; Check tyres: condition, profile, inflation pressure, depth of tread .

## 35.2 CrossTouran, type 1T model year 2010 to model year 2011

Appendix to certificate statement 8106807107

The certificate statement can be found on the Volkswagen ServiceNet under Accessories/Tyres, Wheels and Tyres, Wheels and Tyres Guide.



Type approval number: e1\*2001/116\*0211\*20 to  
e1\*2001/116\*0211\*22

Overview

Model engine output	Tyres	Tyre size	Wheel rim	Off-set in mm	Snow chains	Remarks
1.6l 75 kW petrol engine	Standard tyres on front axle	215/50 R 17 91T	6 <sup>1</sup> / <sub>2</sub> J x 17 ⇒ <a href="#">page 341</a>	42	No	General information on: ♦ Winter tyres ⇒ <a href="#">page 14</a> ♦ Snow chains ⇒ <a href="#">page 17</a>
1.9l 77 kW TDI diesel engine with manual gearbox;	Standard tyres on rear axle	235/45 R 17 94T	8 J x 17 ⇒ <a href="#">page 342</a>	37	No	
2.0l 77 kW TDI diesel engine with manual gearbox	Modification	No changes are permissible apart from the standard wheel and tyre combinations!				
	Winter tyres	195/65 R 15 91T/H	6 J x 15 ⇒ <a href="#">page 340</a>	47	Yes	
		205/55 R 16 91T/H	6 J x 16 ⇒ <a href="#">page 341</a>	50	Yes	
1.9l 77 kW TDI diesel engine with dual clutch gearbox;	Standard tyres on front axle	215/50 R 17 95T	6 <sup>1</sup> / <sub>2</sub> J x 17 ⇒ <a href="#">page 341</a>	42	No	
2.0l 77 kW TDI diesel engine with dual clutch gearbox	Standard tyres on rear axle	235/45 R 17 94T	8 J x 17 ⇒ <a href="#">page 342</a>	37	No	
	Modification	No changes are permissible apart from the standard wheel and tyre combinations!				
	Winter tyres	195/65 R 15 95T/H	6 J x 15 ⇒ <a href="#">page 340</a>	47	Yes	
		205/55 R 16 94T/H	6 J x 16 ⇒ <a href="#">page 341</a>	50	Yes	
2.0l 103 kW TDI diesel engine with dual clutch gearbox	Standard tyres on front axle	215/50 R 17 95H	6 <sup>1</sup> / <sub>2</sub> J x 17 ⇒ <a href="#">page 341</a>	42	No	
	Standard tyres on rear axle	235/45 R 17 94H	8 J x 17 ⇒ <a href="#">page 342</a>	37	No	
	Modification	No changes are permissible apart from the standard wheel and tyre combinations!				
	Winter tyres	195/65 R 15 95T/H	6 J x 15 ⇒ <a href="#">page 340</a>	47	Yes	
		205/55 R 16 94T/H	6 J x 16 ⇒ <a href="#">page 341</a>	50	Yes	



Model engine output	Tyres	Tyre size	Wheel rim	Off-set in mm	Snow chains	Remarks	
1.4 l 103 kW; petrol engine  2.0l 103 kW TDI diesel engine with manual gearbox	Standard tyres on front axle	215/50 R 17 91H	6 1/2 J x 17 ⇒ <a href="#">page 341</a>	42	No		
	Standard tyres on rear axle	235/45 R 17 94H	8 J x 17 ⇒ <a href="#">page 342</a>	37	No		
	Modification	No changes are permissible apart from the standard wheel and tyre combinations!					
	Winter tyres	195/65 R 15 91T/H	6 J x 15 ⇒ <a href="#">page 340</a>	47	Yes		
1.4 l 110 kW EcoFuel 1.4 l 125 kW petrol engine	Standard tyres on front axle	215/50 R 17 91H	6 1/2 J x 17 ⇒ <a href="#">page 341</a>	42	No		
	Standard tyres on rear axle	235/45 R 17 94H	8 J x 17 ⇒ <a href="#">page 342</a>	37	No		
	Modification	No changes are permissible apart from the standard wheel and tyre combinations!					
	Winter tyres	205/55 R 16 91T/H	6 J x 16 ⇒ <a href="#">page 341</a>	50	Yes		
2.0l 125 kW TDI diesel engine with manual gearbox	Standard tyres on front axle	215/50 R 17 91V	6 1/2 J x 17 ⇒ <a href="#">page 341</a>	42	No		
	Standard tyres on rear axle	235/45 R 17 94V	8 J x 17 ⇒ <a href="#">page 342</a>	37	No		
	Modification	No changes are permissible apart from the standard wheel and tyre combinations!					
	Winter tyres	205/55 R 16 91T/H	6 J x 16 ⇒ <a href="#">page 341</a>	50	Yes		
2.0l 125 kW TDI diesel engine with dual clutch gearbox	Standard tyres on front axle	215/50 R 17 95V	6 1/2 J x 17 ⇒ <a href="#">page 341</a>	42	No		
	Standard tyres on rear axle	235/45 R 17 94V	8 J x 17 ⇒ <a href="#">page 342</a>	37	No		
	Modification	No changes are permissible apart from the standard wheel and tyre combinations!					
	Winter tyres	205/55 R 16 94T/H	6 J x 16 ⇒ <a href="#">page 341</a>	50	Yes		

Tyre inflation pressures are located on a sticker in fuel tank flap or in ⇒ Maintenance ; Booklet ; Check tyres: condition, profile, inflation pressure, depth of tread .



### 35.3 Wheel allocation for CrossTouran, type 1T model year 2008 to model year 2011

Explanation of information on wheels ⇒ [page 58](#)

Torque settings for wheel bolts ⇒ Running gear, axles, steering;  
Rep. gr. 44 ; Torque settings for fitting wheels

Pitch circle diameter: 112 mm  
Number of wheel bolt holes: 5

#### 35.3.1 6 J x 15



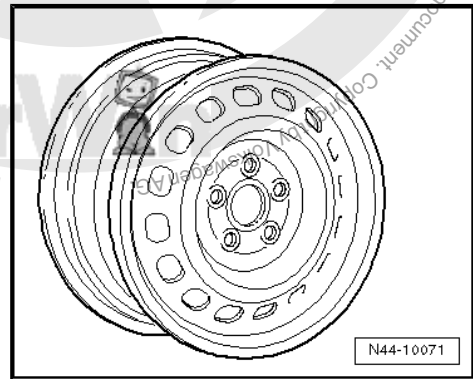
#### Caution

*Observe the allocation of wheels and tyres to the respective engines, which are listed in the overview table ⇒ [page 336](#).*

1K0 601 027 C, 1K0 601 027 H - Wheel and tyre combination  
⇒ [page 336](#)

Only for vehicles to maximum permissible axle load of 1,230 kg

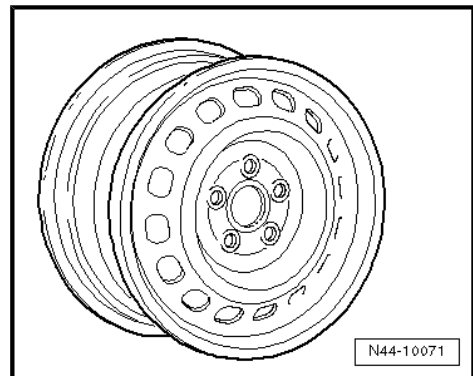
Size:	6 J x 15
Wheel offset in mm:	47
Wheel load in kg:	615



1K0 601 027 T, 1K0 601 027 AG - Wheel and tyre combination  
⇒ [page 336](#)

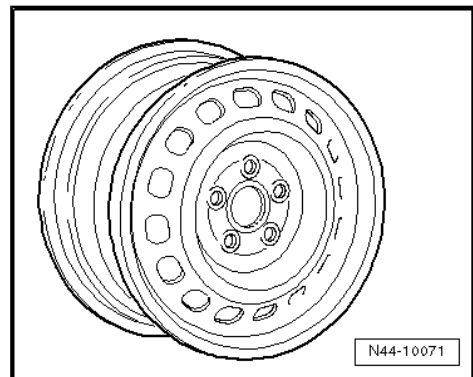
Only for vehicles to maximum permissible axle load of 1,230 kg

Size:	6 J x 15
Wheel offset in mm:	47
Wheel load in kg:	615



2K0 601 027 - Wheel and tyre combination ⇒ [page 336](#)

Size:	6 J x 15
Wheel offset in mm:	47
Wheel load in kg:	650





### 35.3.2 6 J x 16

**Caution**

*Observe the allocation of wheels and tyres to the respective engines, which are listed in the overview table ⇒ [page 336](#).*

8P0 601 027 - Wheel and tyre combination ⇒ [page 336](#)

Only for vehicles to maximum permissible axle load of 1,200 kg

Size:	6 J x 16
Wheel offset in mm:	50
Wheel load in kg:	600

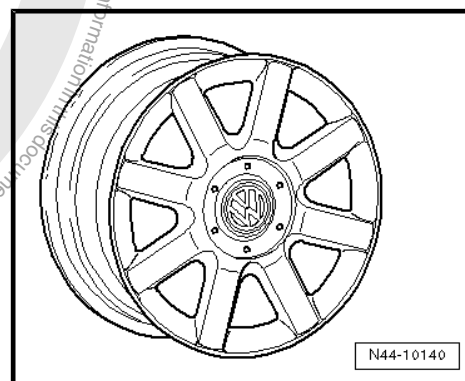
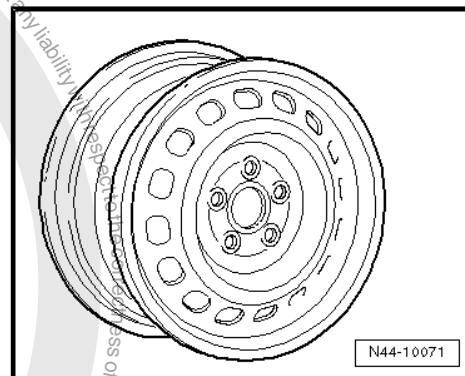
Use the following wheel bolt caps for wheel bolts:

- ◆ 1K0.601.173 (4 per wheel)
- ◆ 1K0.601.173.A (1 per wheel)

1K0 601 025 Q - Wheel and tyre combination ⇒ [page 336](#)

Only for vehicles to maximum permissible axle load of 1,230 kg

Size:	6 J x 16 EH2 ⇒ <a href="#">page 58</a>
Wheel offset in mm:	50
Wheel load in kg:	615



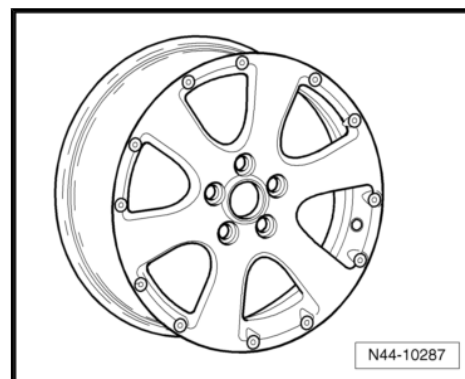
### 35.3.3 6<sup>1</sup>/<sub>2</sub> J x 17

**Caution**

*Observe the allocation of wheels and tyres to the respective engines, which are listed in the overview table ⇒ [page 336](#).*

1T0 601 025 E - Wheel and tyre combination ⇒ [page 336](#)

Size:	6 <sup>1</sup> / <sub>2</sub> J x 17
Wheel offset in mm:	42
Wheel load in kg:	615





### 35.3.4 8 J x 17

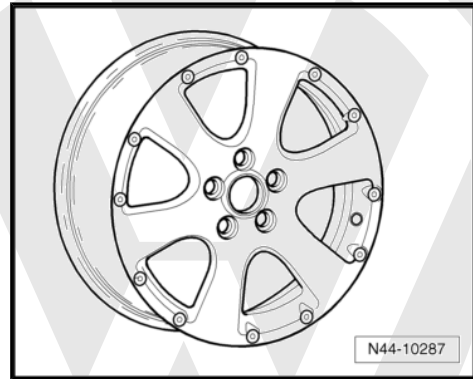


#### Caution

*Observe the allocation of wheels and tyres to the respective engines, which are listed in the overview table ⇒ [page 336](#).*

1T0 601 025 J - Wheel and tyre combination ⇒ [page 336](#)

Size:	8 J x 17
Wheel offset in mm:	37
Wheel load in kg:	615








## 36 Touran BlueMotion from model year 2009

### General

Volkswagen vehicles are built according to the latest findings in safety engineering. To keep it that way, we recommend the use of only genuine Volkswagen spare parts. You can recognise this by the VW Audi logo and by the part number. It has been established that these parts are reliable, safe and suitable.

Despite constant appraisal of the market, we cannot assess other products on these points, even when in isolated cases they have been passed by official inspectors or have been granted official approval. Therefore, we cannot, of course, assume any liability if these products are installed.




**WARNING**

*The products from Volkswagen genuine parts and Votex genuine accessories may differ in fitting requirements, torque specifications and so on.*

*Always follow the respective fitting and operating instructions.*

The wheel and tyre combinations or changes listed in the vehicle tables refer exclusively to Volkswagen Genuine wheels. Approval of wheel and tyre combinations or a change to wheels from the accessories trade is not possible with the certificate statement attached here.



**WARNING**

*The fitting instructions and torque specifications for wheels from Votex genuine accessories may differ from those intended for wheels from Volkswagen genuine parts.*

*Therefore, always observe the torque settings for the wheel bolts as well as the respective fitting and operating instructions.*


### 36.1 Touran BlueMotion, type 1T model year 2009 to model year 2011

Appendix to certificate statement 8106807107

The certificate statement can be found on the Volkswagen ServiceNet under Accessories/Tyres, Wheels and Tyres, Wheels and Tyres Guide.

Type Approval No.: e1\*2001/116\*0211\*18 to  
e1\*2001/116\*0211\*23

#### Overview

Model engine output	Tyres	Tyre size	Wheel rim	Off-set in mm	Snow chains	Remarks
1.6l 77 kW TDI 1.9l 77 kW TDI diesel engine	Standard tyres	195/65 R 15 91T	6 J x 15  page 344	47	Yes	



Model engine output	Tyres	Tyre size	Wheel rim	Off-set in mm	Snow chains	Remarks
1.2l 77 kW petrol engine	Modification	195/65 R 15 91H/V	6 J x 15 ⇒ <a href="#">page 344</a>	47	Yes	General information on: ◆ Winter tyres ⇒ <a href="#">page 14</a> ◆ Snow chains ⇒ <a href="#">page 17</a>
		195/65 R 15 91T/H/V	6 <sup>1</sup> / <sub>2</sub> J x 15 ⇒ <a href="#">page 345</a>	50	Yes	
		205/60 R 15 91T/H/V	6 <sup>1</sup> / <sub>2</sub> J x 15 ⇒ <a href="#">page 345</a>	50	Yes	
		205/55 R 16 91T/H/V	6 J x 16 ⇒ <a href="#">page 346</a>	50	Yes	
		205/55 R 16 91T/H/V	6 <sup>1</sup> / <sub>2</sub> J x 16 ⇒ <a href="#">page 347</a>	50	No	
	Winter tyres	195/65 R 15 91T/H	6 J x 15 ⇒ <a href="#">page 344</a>	47	Yes	
		205/55 R 16 91T/H	6 J x 16 ⇒ <a href="#">page 346</a>	50	Yes	

Tyre inflation pressures are located on a sticker in fuel tank flap or in ⇒ Maintenance ; Booklet ; Check tyres: condition, profile, inflation pressure, depth of tread .

## 36.2 Wheel allocation for Touran BlueMotion, type 1T model year 2009 to model year 2011

Explanation of information on wheels ⇒ [page 58](#)

Torque settings for wheel bolts ⇒ Running gear, axles, steering; Rep. gr. 44 ; Torque settings for fitting wheels

Pitch circle diameter: 112 mm

Number of wheel bolt holes: 5

### 36.2.1 6 J x 15



**Caution**



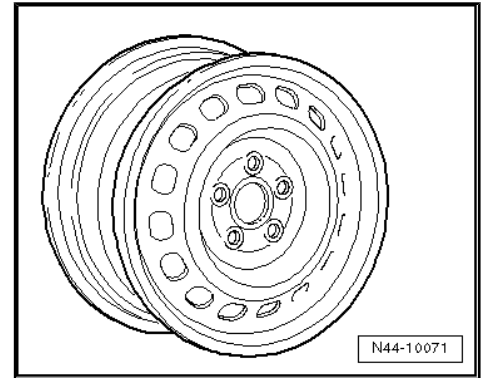
**Observe the allocation of wheels and tyres to the respective engines, which are listed in the overview table ⇒ [page 343](#) .**



**1K0 601 027 C, 1K0 601 027 H - Wheel and tyre combination**  
⇒ [page 343](#)

Only for vehicles to maximum permissible axle load of 1,230 kg

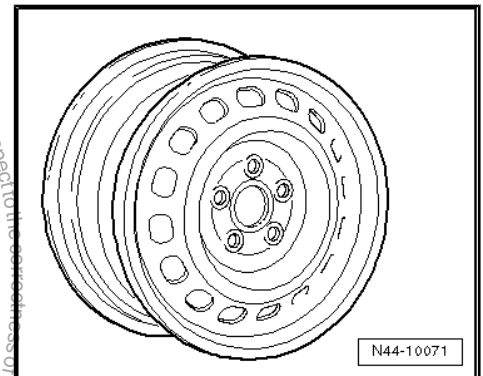
Size:	6 J x 15
Wheel offset in mm:	47
Wheel load in kg:	615



**1K0 601 027 T, 1K0 601 027 AG - Wheel and tyre combination**  
⇒ [page 343](#)

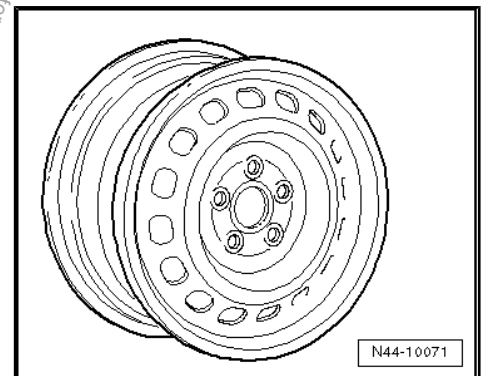
Only for vehicles to maximum permissible axle load of 1,230 kg

Size:	6 J x 15
Wheel offset in mm:	47
Wheel load in kg:	615



**2K0 601 027 - Wheel and tyre combination** ⇒ [page 343](#)

Size:	6 J x 15
Wheel offset in mm:	47
Wheel load in kg:	650



**36.2.2 6<sup>1</sup>/<sub>2</sub> J x 15**



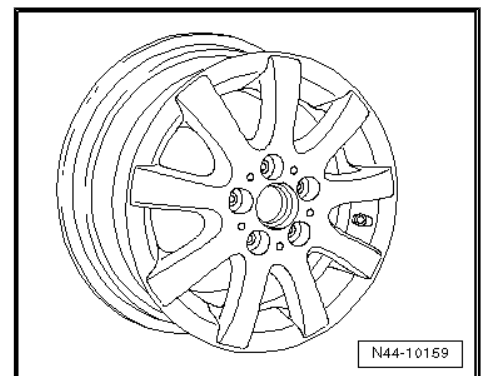
**Caution**

*Observe the allocation of wheels and tyres to the respective engines, which are listed in the overview table ⇒ [page 343](#).*

**1K0 601,025 A - Wheel and tyre combination** ⇒ [page 344](#)

Only for vehicles to maximum permissible axle load of 1,200 kg

Size:	6 <sup>1</sup> / <sub>2</sub> J x 15
Wheel offset in mm:	50
Wheel load in kg:	600

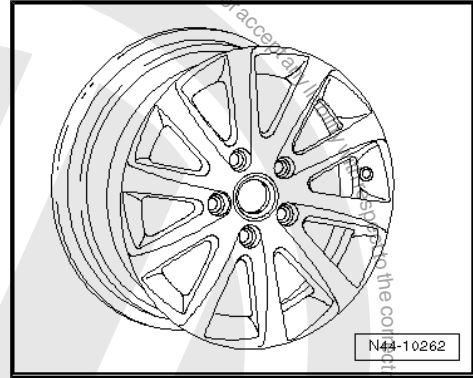




**1K0 601 025 AK - Wheel and tyre combination ⇒ page 344**

Only for vehicles to maximum permissible axle load of 1,200 kg

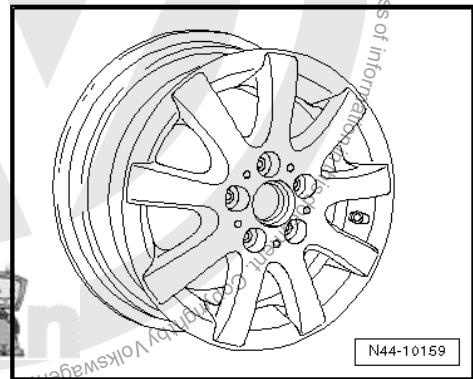
Size:	6 <sup>1</sup> / <sub>2</sub> J x 15
Wheel offset in mm:	50
Wheel load in kg:	600



**1K0 601 025 AQ - Wheel and tyre combination ⇒ page 344**

Only for vehicles to maximum permissible axle load of 1,200 kg

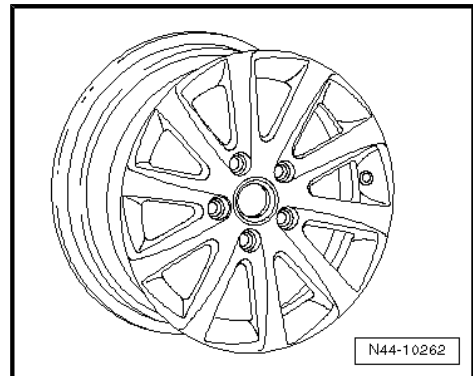
Size:	6 <sup>1</sup> / <sub>2</sub> J x 15
Wheel offset in mm:	50
Wheel load in kg:	600



**1K0 601 025 CA - Wheel and tyre combination ⇒ page 344**

Only for vehicles to maximum permissible axle load of 1,200 kg

Size:	6 <sup>1</sup> / <sub>2</sub> J x 15
Wheel offset in mm:	50
Wheel load in kg:	600



**36.2.3 6 J x 16**



**Caution**

*Observe the allocation of wheels and tyres to the respective engines, which are listed in the overview table ⇒ page 343 .*

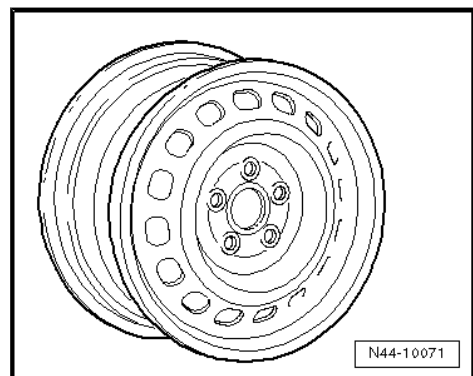
**8P0 601 027 - Wheel and tyre combination ⇒ page 344**

Only for vehicles to maximum permissible axle load of 1,200 kg

Size:	6 J x 16
Wheel offset in mm:	50
Wheel load in kg:	600

Use the following wheel bolt caps for wheel bolts:

- ◆ 1K0.601.173 (4 per wheel)
- ◆ 1K0.601.173.A (1 per wheel)

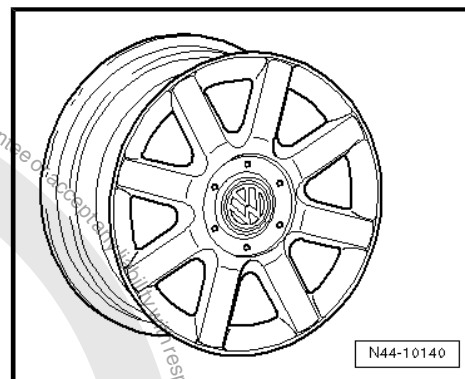




**1K0 601 025 Q - Wheel and tyre combination ⇒ page 344**

Only for vehicles to maximum permissible axle load of 1,230 kg

Size:	6 J x 16 EH2 ⇒ page 58
Wheel offset in mm:	50
Wheel load in kg:	615



**36.2.4 6<sup>1</sup>/<sub>2</sub> J x 16**



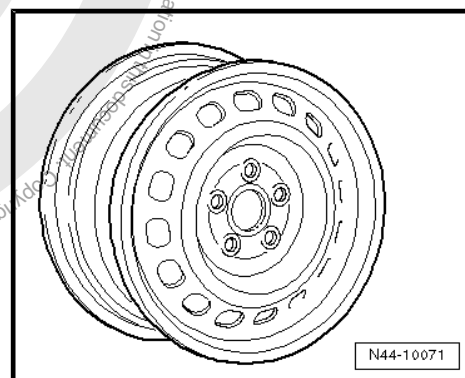
**Caution**

*Observe the allocation of wheels and tyres to the respective engines, which are listed in the overview table ⇒ page 343.*

**1K0 601 027 A, 1K0 601 027 AH - Wheel and tyre combination ⇒ page 344**

Only for vehicles to maximum permissible axle load of 1,230 kg

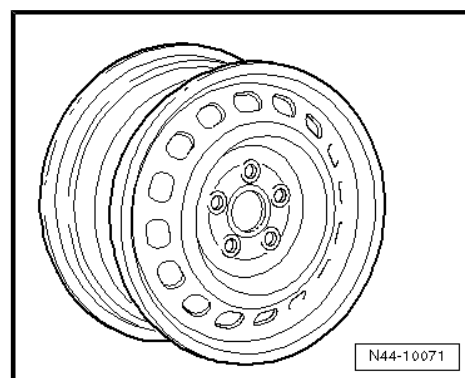
Size:	6 <sup>1</sup> / <sub>2</sub> J x 16
Wheel offset in mm:	50
Wheel load in kg:	615



**1K0 601 027 J - Wheel and tyre combination ⇒ page 344**

Only for vehicles to maximum permissible axle load of 1,230 kg

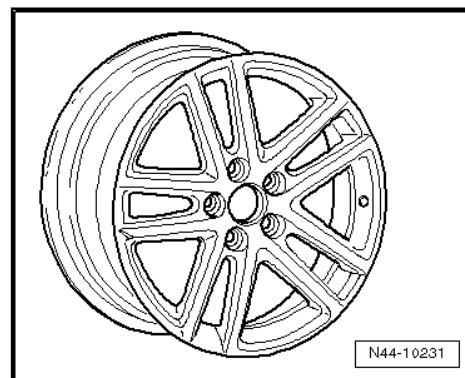
Size:	6 <sup>1</sup> / <sub>2</sub> J x 16
Wheel offset in mm:	50
Wheel load in kg:	615



**1K0 601 025 AJ - Wheel and tyre combination ⇒ page 344**

Only for vehicles to maximum permissible axle load of 1,230 kg

Size:	6 <sup>1</sup> / <sub>2</sub> J x 16
Wheel offset in mm:	50
Wheel load in kg:	615

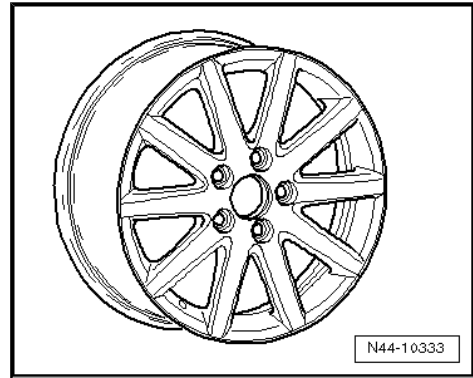




**1K0 601 025 BC - Wheel and tyre combination ⇒ [page 344](#)**

Only for vehicles to maximum permissible axle load of 1,230 kg

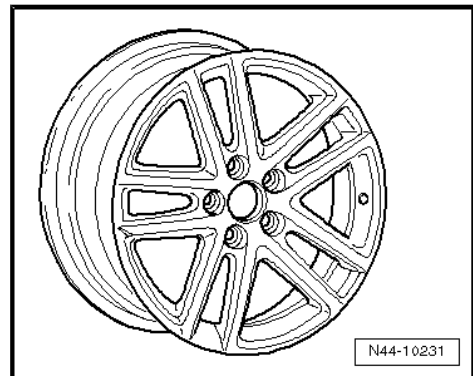
Size:	6 <sup>1</sup> / <sub>2</sub> J x 16
Wheel offset in mm:	50
Wheel load in kg:	615



**1K0 601 025 BM - Wheel and tyre combination ⇒ [page 344](#)**

Only for vehicles to maximum permissible axle load of 1,230 kg

Size:	6 <sup>1</sup> / <sub>2</sub> J x 16
Wheel offset in mm:	50
Wheel load in kg:	615



**1K0 601 025 BR - Wheel and tyre combination ⇒ [page 344](#)**

Only for vehicles to maximum permissible axle load of 1,230 kg

Size:	6 <sup>1</sup> / <sub>2</sub> J x 16
Wheel offset in mm:	50
Wheel load in kg:	615



**1K0 601 025 BS - Wheel and tyre combination ⇒ [page 344](#)**

Only for vehicles to maximum permissible axle load of 1,230 kg

Size:	6 <sup>1</sup> / <sub>2</sub> J x 16
Wheel offset in mm:	50
Wheel load in kg:	615

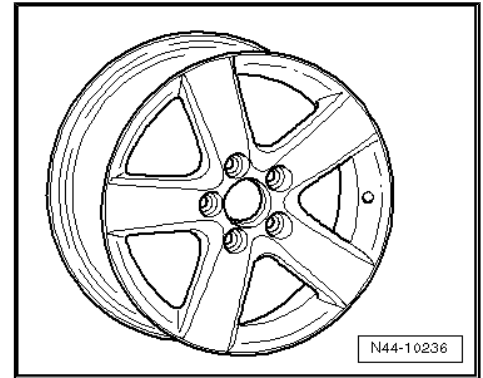




**1K0 601 025 CB - Wheel and tyre combination ⇒ [page 344](#)**

Only for vehicles to maximum permissible axle load of 1,230 kg

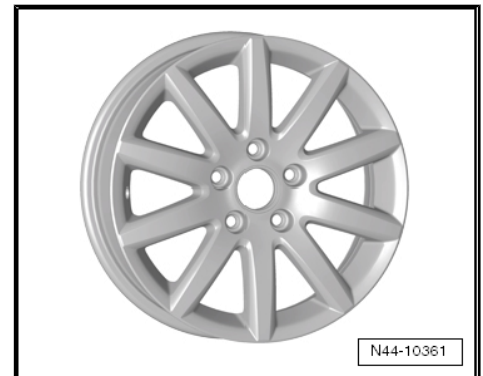
Size:	6 <sup>1</sup> / <sub>2</sub> J x 16
Wheel offset in mm:	50
Wheel load in kg:	615



**1K0 601 025 CG - Wheel and tyre combination ⇒ [page 344](#)**

Only for vehicles to maximum permissible axle load of 1,230 kg

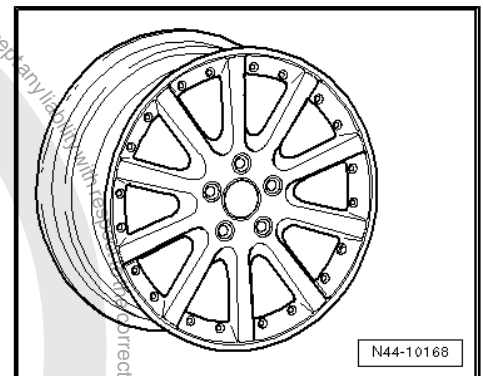
Size:	6 <sup>1</sup> / <sub>2</sub> J x 16
Wheel offset in mm:	50
Wheel load in kg:	615



**1K0 601 025 F - Wheel and tyre combination ⇒ [page 344](#)**

Only for vehicles to maximum permissible axle load of 1,230 kg

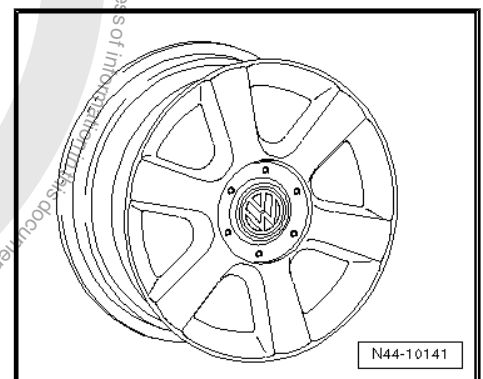
Size:	6 <sup>1</sup> / <sub>2</sub> J x 16
Wheel offset in mm:	50
Wheel load in kg:	615



**1T0 601 025 C - Wheel and tyre combination ⇒ [page 344](#)**

Only for vehicles to maximum permissible axle load of 1,230 kg

Size:	6 <sup>1</sup> / <sub>2</sub> J x 16
Wheel offset in mm:	50
Wheel load in kg:	615

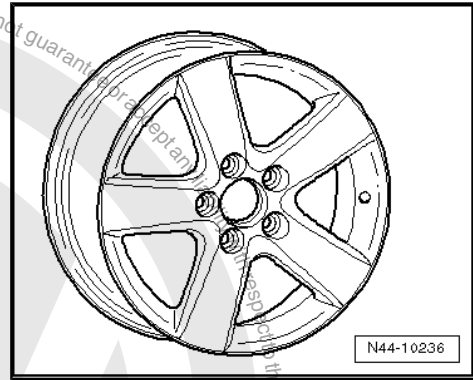




**1T0 601 025 G - Wheel and tyre combination ⇒ page 344**

Only for vehicles to maximum permissible axle load of 1,230 kg

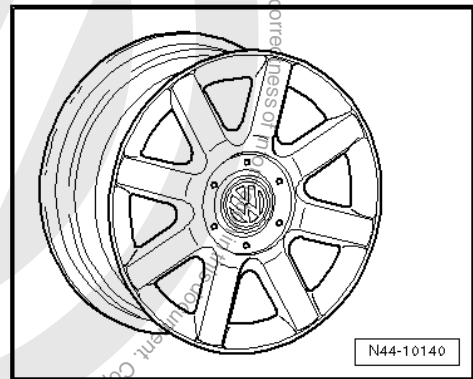
Size:	6 <sup>1</sup> / <sub>2</sub> J x 16
Wheel offset in mm:	50
Wheel load in kg:	615



**1K0 601 025 R - Wheel and tyre combination ⇒ page 344**

Only for vehicles to maximum permissible axle load of 1,230 kg

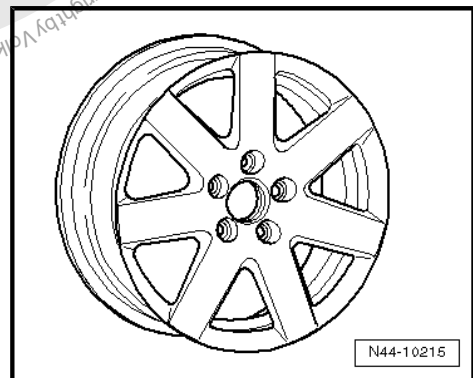
Size:	6 <sup>1</sup> / <sub>2</sub> J x 16
Wheel offset in mm:	50
Wheel load in kg:	615



**1K0 601 025 P - Wheel and tyre combination ⇒ page 344**

Only for vehicles to maximum permissible axle load of 1,230 kg

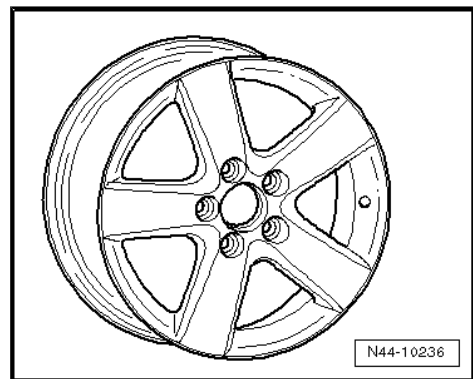
Size:	6 <sup>1</sup> / <sub>2</sub> J x 16
Wheel offset in mm:	50
Wheel load in kg:	615



**1T0 601 025 M - Wheel and tyre combination ⇒ page 344**

Only for vehicles to maximum permissible axle load of 1,230 kg

Size:	6 <sup>1</sup> / <sub>2</sub> J x 16
Wheel offset in mm:	50
Wheel load in kg:	615



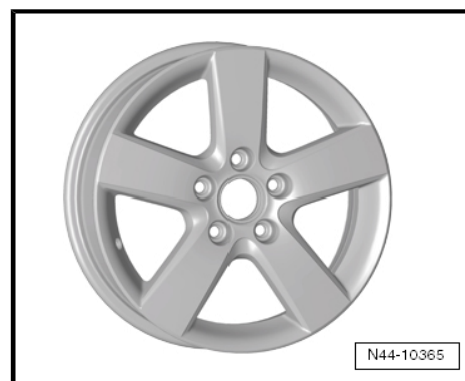




**1T0 601 025 R - Wheel and tyre combination ⇒ page 344**

Only for vehicles to maximum permissible axle load of 1,230 kg

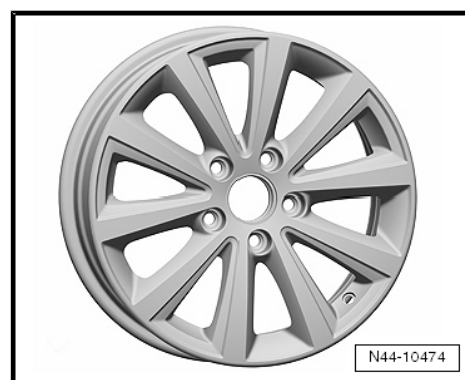
Size:	6 <sup>1</sup> / <sub>2</sub> J x 16
Wheel offset in mm:	50
Wheel load in kg:	615



**1T0 601 025 S - Wheel and tyre combination ⇒ page 344**

Only for vehicles to maximum permissible axle load of 1,230 kg

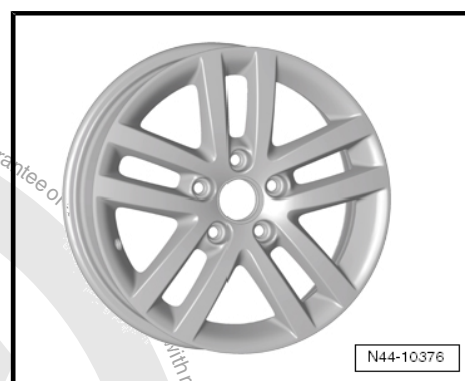
Size:	6 <sup>1</sup> / <sub>2</sub> J x 16
Wheel offset in mm:	50
Wheel load in kg:	615



**5K0 601 025 E - Wheel and tyre combination ⇒ page 344**

Only for vehicles to maximum permissible axle load of 1,230 kg

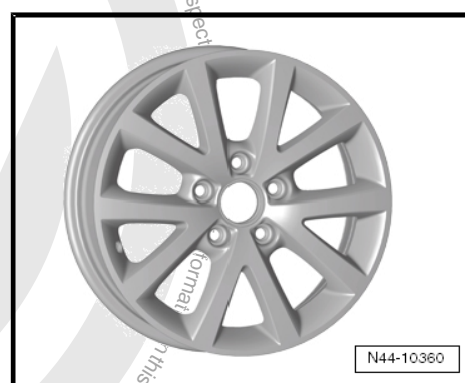
Size:	6 <sup>1</sup> / <sub>2</sub> J x 16
Wheel offset in mm:	50
Wheel load in kg:	615



**1K0 601 025 CJ - Wheel and tyre combination ⇒ page 344**

Only for vehicles to maximum permissible axle load of 1,230 kg

Size:	6 <sup>1</sup> / <sub>2</sub> J x 16
Wheel offset in mm:	50
Wheel load in kg:	615





## 37 Tiguan from model year 2008

### General

Volkswagen vehicles are built according to the latest findings in safety engineering. To keep it that way, we recommend the use of only genuine Volkswagen spare parts. You can recognise this by the VW Audi logo and by the part number. It has been established that these parts are reliable, safe and suitable.

Despite constant appraisal of the market, we cannot assess other products on these points, even when in isolated cases they have been passed by official inspectors or have been granted official approval. Therefore, we cannot, of course, assume any liability if these products are installed.



#### WARNING

*The products from Volkswagen genuine parts and Votex genuine accessories may differ in fitting requirements, torque specifications and so on.*

*Always follow the respective fitting and operating instructions.*

The wheel and tyre combinations or changes listed in the vehicle tables refer exclusively to Volkswagen Genuine wheels. Approval of wheel and tyre combinations or a change to wheels from the accessories trade is not possible with the certificate statement attached here.



#### WARNING

*The fitting instructions and torque specifications for wheels from Votex genuine accessories may differ from those intended for wheels from Volkswagen genuine parts.*

*Therefore, always observe the torque settings for the wheel bolts as well as the respective fitting and operating instructions.*

### 37.1 Tiguan, type 5N model year 2008 to model year 2011

Appendix to certificate statement 8106807159

The certificate statement can be found on the Volkswagen ServiceNet under Accessories/Tyres, Wheels and Tyres, Wheels and Tyres Guide.

Type Approval No.: e1\*2001/116\*0450\*00 to e1\*2001/116\*0450\*09

#### Overview

Model engine output	Tyres	Tyre size	Wheel rim	Offset in mm	Snow chains	Remarks
2.0l 81 kW TDI 2.0l 100 kW TDI 2.0l 103 kW TDI 2.0l 120 kW TDI 2.0l 125 kW TDI diesel engine	Standard tyres	215/65 R 16 98H	6 <sup>1</sup> / <sub>2</sub> J x 16 ⇒ <a href="#">page 353</a>	33	Yes	General information on: ◆ Winter tyres ⇒ <a href="#">page 14</a> ◆ Snow chains ⇒ <a href="#">page 17</a>



Model engine output	Tyres	Tyre size	Wheel rim	Off-set in mm	Snow chains	Remarks
1.4l 110 kW 2.0l 125 kW 2.0l 147 kW petrol engines	Modification	215/60 R 17 96H	6 1/2 J x 17 ⇒ <a href="#">page 354</a>	33	Yes	Tyre makes recommended by Volkswagen: ◆ Summer tyres ⇒ <a href="#">page 511</a> ◆ All-season tyres ⇒ <a href="#">page 524</a> ◆ Winter tyres ⇒ <a href="#">page 536</a>  * The 255/40 R 19 96H and 9 J x 19 offset 33 wheel and tyre combination is permitted only on vehicles with sports running gear and wheel housing extensions.
		235/55 R 17 99H	7 J x 17 ⇒ <a href="#">page 355</a>	43	No	
		235/50 R 18 97H	7 J x 18 ⇒ <a href="#">page 355</a>	43	No	
		255/40 R 19 96H * ⇒ <a href="#">page 353</a>	9 J x 19 ⇒ <a href="#">page 356</a>	33	No	
	Winter tyres	215/65 R 16 98T/H	6 1/2 J x 16 ⇒ <a href="#">page 353</a>	33	Yes	

Tyre inflation pressures are located on a sticker in fuel tank flap or in ⇒ Maintenance ; Booklet ; Check tyres: condition, profile, inflation pressure, depth of tread .

## 37.2 Wheel allocation for Tiguan, type 5N model year 2008 to model year 2011

Explanation of information on wheels ⇒ [page 58](#)

Torque settings for wheel bolts ⇒ Running gear, axles, steering;  
Rep. gr. 44 ; Torque settings for fitting wheels

Pitch circle diameter: 112 mm

Number of wheel bolt holes: 5

### 37.2.1 6 1/2 J x 16



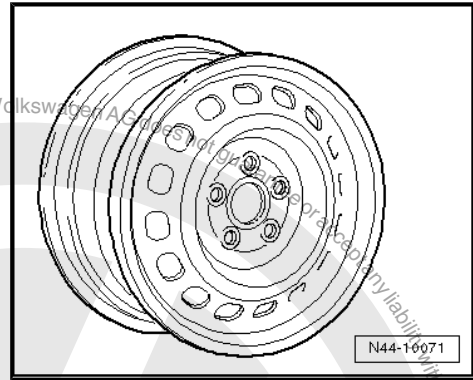
#### Caution

*Observe the allocation of wheels and tyres to the respective engines, which are listed in the overview table ⇒ [page 352](#) .*



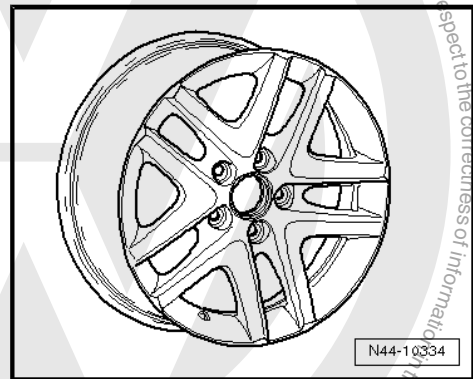
**5N0 601 027 B - Wheel and tyre combination ⇒ page 352**

Size:	6 1/2 J x 16
Wheel offset in mm:	33
Wheel load in kg:	625



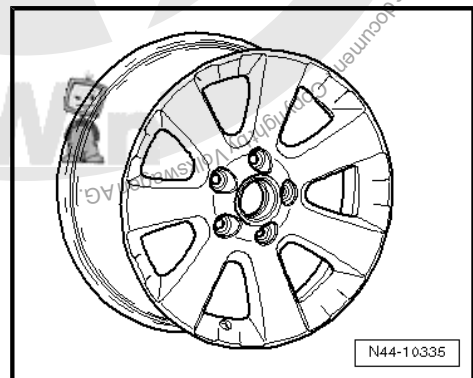
**5N0 601 025 - Wheel and tyre combination ⇒ page 352**

Size:	6 1/2 J x 16
Wheel offset in mm:	33
Wheel load in kg:	625



**5N0 601 025 A - Wheel and tyre combination ⇒ page 352**

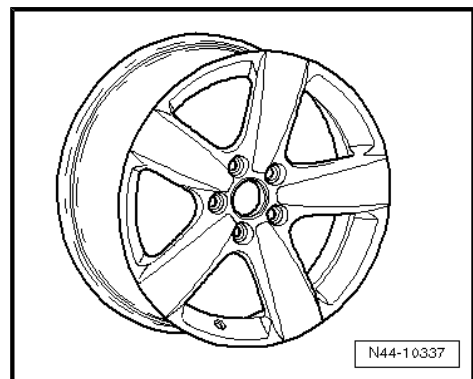
Size:	6 1/2 J x 16
Wheel offset in mm:	33
Wheel load in kg:	625



**37.2.2 6 1/2 J x 17**

**5N0 601 025 L - Wheel and tyre combination ⇒ page 353**

Size:	6 1/2 J x 17
Wheel offset in mm:	33
Wheel load in kg:	625





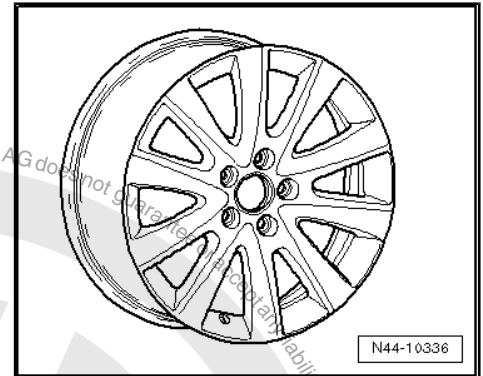
### 37.2.3 7 J x 17

**!** Caution

*Observe the allocation of wheels and tyres to the respective engines, which are listed in the overview table ⇒ [page 352](#) .*

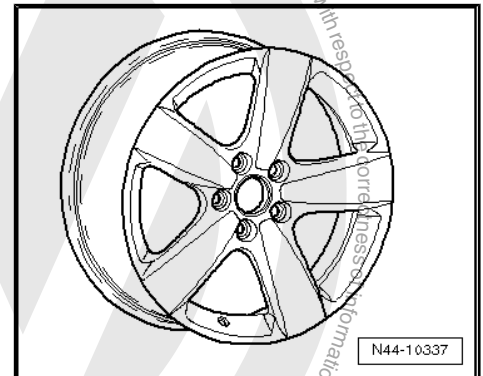
#### 5N0 601,025 B - Wheel and tyre combination ⇒ [page 353](#)

Size:	7 J x 17
Wheel offset in mm:	43
Wheel load in kg:	625



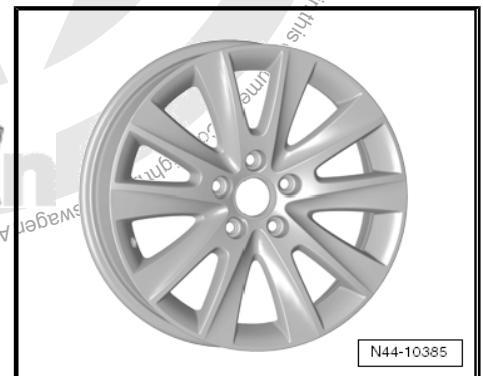
#### 5N0 601 025 C - Wheel and tyre combination ⇒ [page 353](#)

Size:	7 J x 17
Wheel offset in mm:	43
Wheel load in kg:	625



#### 5N0 601 025 M - Wheel and tyre combination ⇒ [page 353](#)

Size:	7 J x 17
Wheel offset in mm:	43
Wheel load in kg:	625



### 37.2.4 7 J x 18

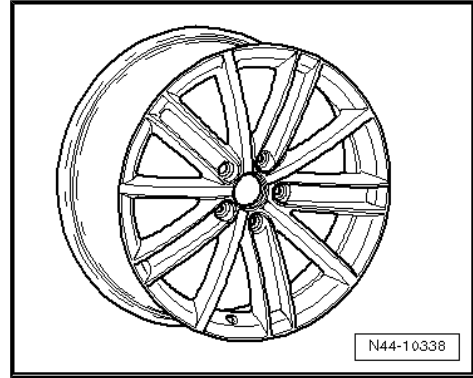
**!** Caution

*Observe the allocation of wheels and tyres to the respective engines, which are listed in the overview table ⇒ [page 352](#) .*



**5N0 601 025 D - Wheel and tyre combination ⇒ page 353**

Size:	7 J x 18
Wheel offset in mm:	43
Wheel load in kg:	625



**5N0 601 025 Q - Wheel and tyre combination ⇒ page 353**

Size:	7 J x 18
Wheel offset in mm:	43
Wheel load in kg:	650



**37.2.5 9 J x 19**

**Caution**

*Observe the allocation of wheels and tyres to the respective engines, which are listed in the overview table ⇒ page 352 .*

**5N0 601 025 G - Wheel and tyre combination ⇒ page 353**

Only for vehicles with sports suspension and wheel housing extensions

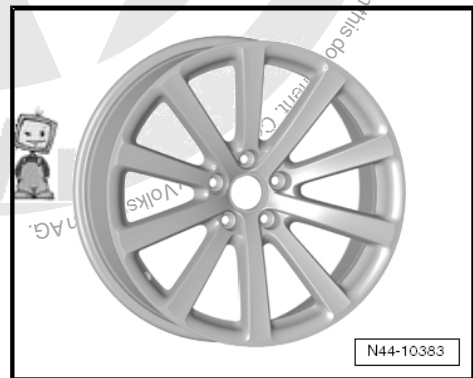
Size:	9 J x 19
Wheel offset in mm:	33
Wheel load in kg:	650



**5N0 601 025 K - Wheel and tyre combination ⇒ page 353**

Only for vehicles with sports suspension and wheel housing extensions

Size:	9 J x 19
Wheel offset in mm:	33
Wheel load in kg:	650






## 38 Eos from model year 2006

### General

Volkswagen vehicles are built according to the latest findings in safety engineering. To keep it that way, we recommend the use of only genuine Volkswagen spare parts. You can recognise this by the VW Audi logo and by the part number. It has been established that these parts are reliable, safe and suitable.

Despite constant appraisal of the market, we cannot assess other products on these points, even when in isolated cases they have been passed by official inspectors or have been granted official approval. Therefore, we cannot, of course, assume any liability if these products are installed.




**WARNING**

*The products from Volkswagen genuine parts and Votex genuine accessories may differ in fitting requirements, torque specifications and so on.*

*Always follow the respective fitting and operating instructions.*

The wheel and tyre combinations or changes listed in the vehicle tables refer exclusively to Volkswagen Genuine wheels. Approval of wheel and tyre combinations or a change to wheels from the accessories trade is not possible with the certificate statement attached here.



**WARNING**

*The fitting instructions and torque specifications for wheels from Votex genuine accessories may differ from those intended for wheels from Volkswagen genuine parts.*

*Therefore, always observe the torque settings for the wheel bolts as well as the respective fitting and operating instructions.*

### 38.1 Eos, type 1F from model year 2006

Attachment to parts certificate 3541/09

The parts certificate can be found on the Volkswagen ServiceNet under Accessories/Tyres, Wheels and Tyres, Wheels and Tyres Guide.

Type approval number: e1\*2001/116\*0349\*00 to e1\*2001/116\*0349\*03

#### Overview

Model engine output	Tyres	Tyre size	Wheel rim	Off-set in mm	Snow chains	Remarks
2.0l 103 kW diesel engine	Standard tyres	215/55 R 16 93V	7 J x 16 ⇒ <a href="#">page 362</a>	45	No	General information on: ◆ Winter tyres ⇒ <a href="#">page 14</a> ◆ Snow chains ⇒ <a href="#">page 17</a>
	Modification	235/45 R 17 94V	7 1/2 J x 17 ⇒ <a href="#">page 364</a>	47	No	Tyre makes recommended by Volkswagen:



Model engine output	Tyres	Tyre size	Wheel rim	Off-set in mm	Snow chains	Remarks
		235/40 R 18 91V* ⇒ <a href="#">page 358</a>	8 J x 18 ⇒ <a href="#">page 366</a>	44	No	<ul style="list-style-type: none"> <li>◆ Summer tyres ⇒ <a href="#">page 511</a></li> <li>◆ All-season tyres ⇒ <a href="#">page 524</a></li> <li>◆ Winter tyres ⇒ <a href="#">page 537</a></li> </ul>
	Winter tyres	205/55 R 16 91T/H	6 <sup>1</sup> / <sub>2</sub> J x 16 ⇒ <a href="#">page 361</a>	42	Yes	
			205/50 R 17 93T/H	6 x 17 ⇒ <a href="#">page 363</a>	45	Yes
1.6l 85 kW; 2.0l 110 kW; petrol engine;	Standard tyres	215/55 R 16 93V	7 J x 16 ⇒ <a href="#">page 362</a>	45	No	
	Modification	235/45 R 17 94V	7 <sup>1</sup> / <sub>2</sub> J x 17 ⇒ <a href="#">page 364</a>	47	No	
		235/40 R 18 91V* ⇒ <a href="#">page 358</a>	8 J x 18 ⇒ <a href="#">page 366</a>	44	No	
	Winter tyres	205/55 R 16 91T/H	6 <sup>1</sup> / <sub>2</sub> J x 16 ⇒ <a href="#">page 361</a>	42	Yes	
		205/50 R 17 89T/H	6 x 17 ⇒ <a href="#">page 363</a>	45	Yes	
2.0l 147 kW petrol engine	Standard tyres	215/55 R 16 93W	7 J x 16 ⇒ <a href="#">page 362</a>	45	No	
	Modification	235/45 R 17 94W	7 <sup>1</sup> / <sub>2</sub> J x 17 ⇒ <a href="#">page 364</a>	47	No	
		235/40 R 18 91W* ⇒ <a href="#">page 358</a>	8 J x 18 ⇒ <a href="#">page 366</a>	44	No	
	Winter tyres	205/55 R 16 91T/H	6 <sup>1</sup> / <sub>2</sub> J x 16 ⇒ <a href="#">page 361</a>	42	Yes	
		205/50 R 17 93T/H	6 x 17 ⇒ <a href="#">page 363</a>	45	Yes	

Tyre inflation pressures are located on a sticker in fuel tank flap or in ⇒ Maintenance ; Booklet ; Check tyres: condition, profile, inflation pressure, depth of tread .

## 38.2 Eos, type 1F model year 2007 to model year 2010

Attachment to parts certificate 3541/09





The parts certificate can be found on the Volkswagen ServiceNet under Accessories/Tyres, Wheels and Tyres, Wheels and Tyres Guide.

Type approval number: e1\*2001/116\*0349\*04 to e1\*2001/116\*0349\*12

### Overview

Model engine output	Tyres	Tyre size	Wheel rim	Off-set in mm	Snow chains	Remarks
2.0l 103 kW diesel engine	Standard tyres	215/55 R 16 93H	7 J x 16 ⇒ <a href="#">page 362</a>	45	No	General information on: ◆ Winter tyres ⇒ <a href="#">page 14</a> ◆ Snow chains ⇒ <a href="#">page 17</a>
	Modification	205/55 R 16 91H	6 <sup>1</sup> / <sub>2</sub> J x 16 ⇒ <a href="#">page 361</a>	42	Yes	Tyre makes recommended by Volkswagen: ◆ Summer tyres ⇒ <a href="#">page 511</a> ◆ All-season tyres ⇒ <a href="#">page 524</a> ◆ Winter tyres ⇒ <a href="#">page 537</a>
		235/45 R 17 94H	7 <sup>1</sup> / <sub>2</sub> J x 17 ⇒ <a href="#">page 364</a>	47	No	
		235/40 R 18 91H* ⇒ <a href="#">page 359</a>	8 J x 18 ⇒ <a href="#">page 366</a>	44	No	
	Winter tyres	205/55 R 16 91T/H	6 <sup>1</sup> / <sub>2</sub> J x 16 ⇒ <a href="#">page 361</a>	42	Yes	
		205/50 R 17 93T/H	6 x 17 ⇒ <a href="#">page 363</a>	45	Yes	
1.4l 90 kW; 1.6l 85 kW petrol engines;	Standard tyres	215/55 R 16 93H	7 J x 16 ⇒ <a href="#">page 362</a>	45	No	* 235/40 R 18 tyres on 8 J x 18 rims with an offset of 44 are only permitted if the specified conditions ⇒ <a href="#">page 366</a> are fulfilled!
	Modification	205/55 R 16 91H	6 <sup>1</sup> / <sub>2</sub> J x 16 ⇒ <a href="#">page 361</a>	42	Yes	
		235/45 R 17 94H	7 <sup>1</sup> / <sub>2</sub> J x 17 ⇒ <a href="#">page 364</a>	47	No	
		235/40 R 18 91H* ⇒ <a href="#">page 359</a>	8 J x 18 ⇒ <a href="#">page 366</a>	44	No	
	Winter tyres	205/55 R 16 91T/H	6 <sup>1</sup> / <sub>2</sub> J x 16 ⇒ <a href="#">page 361</a>	42	Yes	



Model engine output	Tyres	Tyre size	Wheel rim	Off-set in mm	Snow chains	Remarks
		205/50 R 17 89T/H	6 x 17 ⇒ <a href="#">page 363</a>	45	Yes	
2.0l 110 kW 1.4l 118 kW petrol engine	Standard tyres	215/55 R 16 93V	7 J x 16 ⇒ <a href="#">page 362</a>	45	No	* 235/40 R 18 tyres on 8 J x 18 rims with an offset of 44 are only permitted if the specified conditions ⇒ <a href="#">page 366</a> are fulfilled!
	Modification	205/55 R 16 91V	6 <sup>1</sup> / <sub>2</sub> J x 16 ⇒ <a href="#">page 361</a>	42	Yes	
		235/45 R 17 94V	7 <sup>1</sup> / <sub>2</sub> J x 17 ⇒ <a href="#">page 364</a>	47	No	
		235/40 R 18 91V* ⇒ <a href="#">page 360</a>	8 J x 18 ⇒ <a href="#">page 366</a>	44	No	
	Winter tyres	205/55 R 16 91T/H	6 <sup>1</sup> / <sub>2</sub> J x 16 ⇒ <a href="#">page 361</a>	42	Yes	
205/50 R 17 89T/H		6 x 17 ⇒ <a href="#">page 363</a>	45	Yes		
2.0l 147 kW; 2.0l 155 kW petrol engine	Standard tyres	215/55 R 16 93V	7 J x 16 ⇒ <a href="#">page 362</a>	45	No	* 235/40 R 18 tyres on 8 J x 18 rims with an offset of 44 are only permitted if the specified conditions ⇒ <a href="#">page 366</a> are fulfilled!
	Modification	205/55 R 16 91V	6 <sup>1</sup> / <sub>2</sub> J x 16 ⇒ <a href="#">page 361</a>	42	Yes	
		235/45 R 17 94V	7 <sup>1</sup> / <sub>2</sub> J x 17 ⇒ <a href="#">page 364</a>	47	No	
		235/40 R 18 91V* ⇒ <a href="#">page 360</a>	8 J x 18 ⇒ <a href="#">page 366</a>	44	No	
	Winter tyres	205/55 R 16 91T/H	6 <sup>1</sup> / <sub>2</sub> J x 16 ⇒ <a href="#">page 361</a>	42	Yes	
205/50 R 17 93T/H		6 x 17 ⇒ <a href="#">page 363</a>	45	Yes		
3.2l 184 kW petrol engine	Standard tyres	235/45 R 17 94W	7 <sup>1</sup> / <sub>2</sub> J x 17 ⇒ <a href="#">page 364</a>	47	No	** The 16 inch rims do not fit on vehicles with a 17 inch braking system (brake disc diameter: 345 mm)
	Modification	205/55 R 16 91W** ⇒ <a href="#">page 360</a>	6 <sup>1</sup> / <sub>2</sub> J x 16 ⇒ <a href="#">page 361</a>	42	Yes	



Model engine output	Tyres	Tyre size	Wheel rim	Off-set in mm	Snow chains	Remarks
		215/55 R 16 93W** ⇒ <a href="#">page 360</a>	7 J x 16 ⇒ <a href="#">page 362</a>	45	No	* 235/40 R 18 tyres on 8 J x 18 rims with an offset of 44 are only permitted if the specified conditions ⇒ <a href="#">page 366</a> are fulfilled!
		235/40 R 18 95W* ⇒ <a href="#">page 361</a>	8 J x 18 ⇒ <a href="#">page 366</a>	44	No	
	Winter tyres	205/50 R 17 93T/H/V	6 J x 17 ⇒ <a href="#">page 363</a>	45	Yes	
3.6l 191 kW petrol engine	Standard tyres	235/45 R 17 94W	7 <sup>1</sup> / <sub>2</sub> J x 17 ⇒ <a href="#">page 364</a>	47	No	* 235/40 R 18 tyres on 8 J x 18 rims with an offset of 44 are only permitted if the specified conditions ⇒ <a href="#">page 366</a> are fulfilled!
	Modification	235/40 R 18 95W* ⇒ <a href="#">page 361</a>	8 J x 18 ⇒ <a href="#">page 366</a>	44	No	
	Winter tyres	205/50 R 17 93T/H/V	6 J x 17 ⇒ <a href="#">page 363</a>	45	Yes	

Tyre inflation pressures are located on a sticker in fuel tank flap or in ⇒ Maintenance ; Booklet ; Check tyres: condition, profile, inflation pressure, depth of tread .

### 38.3 Wheel allocation for Eos, type 1F model year 2006 to model year 2010


Explanation of information on wheels ⇒ [page 58](#)

Torque settings for wheel bolts ⇒ Running gear, axles, steering;  
Rep. gr. 44 ; Torque settings for fitting wheels

Pitch circle diameter: 112 mm

Number of wheel bolt holes: 5

#### 38.3.1 6<sup>1</sup>/<sub>2</sub> J x 16



**Caution**

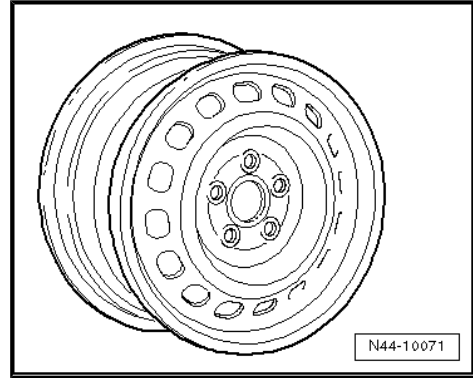
*Observe the allocation of wheels and tyres to the respective engines, which are listed in the overview table ⇒ [page 357](#) .*



**3C0 601 027 H - Wheel and tyre combination ⇒ page 358**

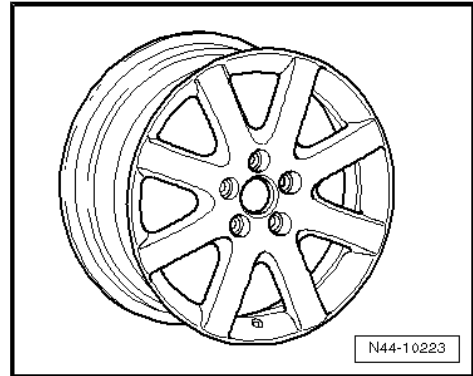
Size:	6 <sup>1</sup> / <sub>2</sub> J x 16
Wheel offset in mm:	42
Wheel load in kg:	650

Winter wheel



**3C0 601 025 F - Wheel and tyre combination ⇒ page 358**

Size:	6 <sup>1</sup> / <sub>2</sub> J x 16
Wheel offset in mm:	42
Wheel load in kg:	650



**38.3.2 7 J x 16**

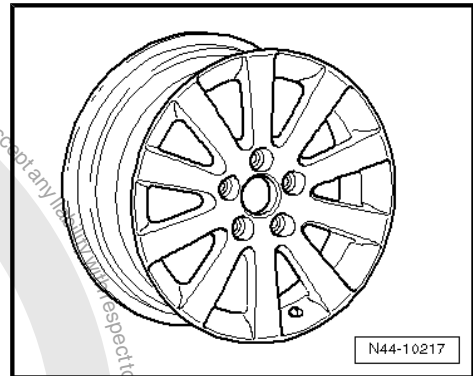


**Caution**

*Observe the allocation of wheels and tyres to the respective engines, which are listed in the overview table ⇒ page 357 .*

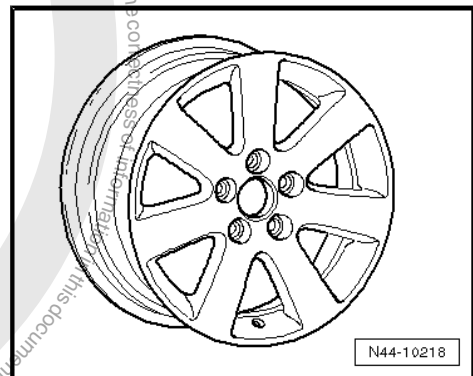
**3C0 601 025 - Wheel and tyre combination ⇒ page 357**

Size:	7 J x 16
Wheel offset in mm:	45
Wheel load in kg:	650



**3C0 601 025 A - Wheel and tyre combination ⇒ page 357**

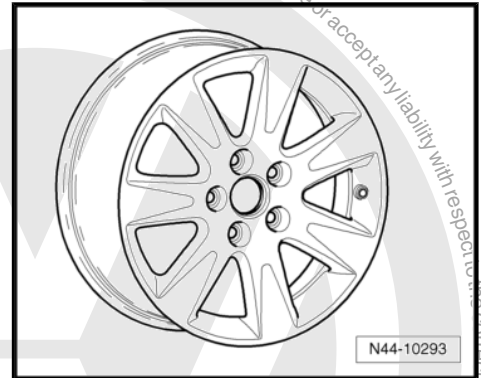
Size:	7 J x 16
Wheel offset in mm:	45
Wheel load in kg:	650





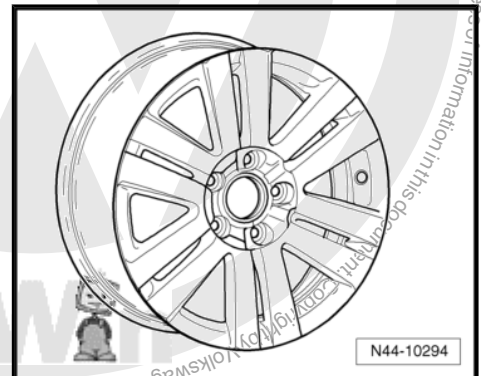
**3C0 601 025 AE - Wheel and tyre combination ⇒ page 357**

Size:	7 J x 16
Wheel offset in mm:	45
Wheel load in kg:	650



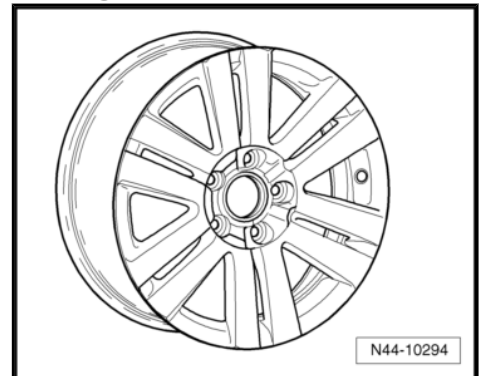
**3C0 601 025 AF - Wheel and tyre combination ⇒ page 357**

Size:	7 J x 16
Wheel offset in mm:	45
Wheel load in kg:	650



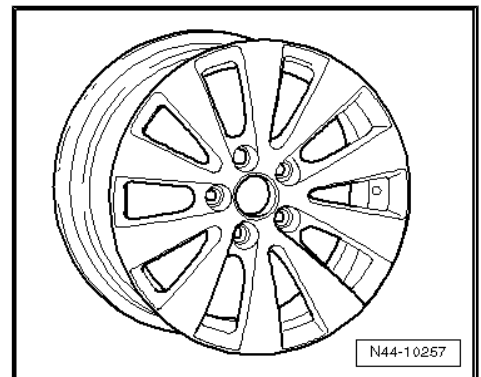
**3C0 601 025 B - Wheel and tyre combination ⇒ page 357**

Size:	7 J x 16
Wheel offset in mm:	45
Wheel load in kg:	650



**3C0 601 025 C - Wheel and tyre combination ⇒ page 357**

Size:	7 J x 16 EH2 ⇒ page 58
Wheel offset in mm:	45
Wheel load in kg:	650



**38.3.3 6 J x 17**

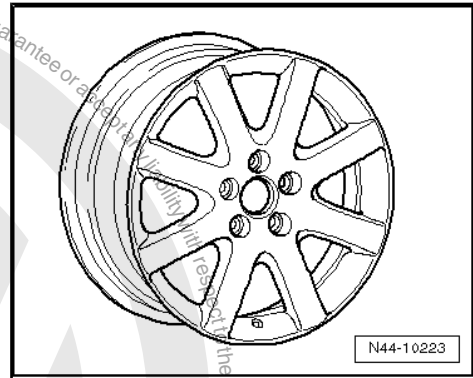
	<p><b>Caution</b></p> <p><i>Observe the allocation of wheels and tyres to the respective engines, which are listed in the overview table ⇒ page 357 .</i></p>
--	---




Winter wheel

3C0 601 025 M - Wheel and tyre combination ⇒ [page 358](#)

Size:	6 J x 17
Wheel offset in mm:	45
Wheel load in kg:	650



38.3.4 7<sup>1</sup>/<sub>2</sub> J x 17

 **Caution**  
*Observe the allocation of wheels and tyres to the respective engines, which are listed in the overview table ⇒ [page 357](#) .*

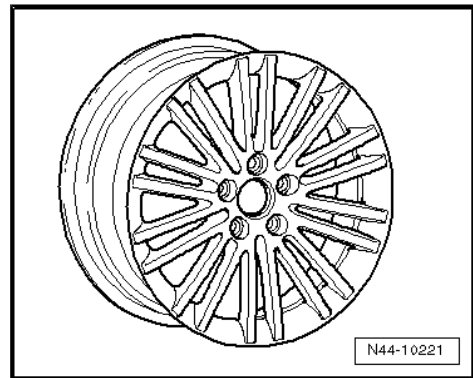
3C0 601 025 BB - Wheel and tyre combination ⇒ [page 357](#)

Size:	7 <sup>1</sup> / <sub>2</sub> J x 17
Wheel offset in mm:	47
Wheel load in kg:	650



3C0 601 025 D - Wheel and tyre combination ⇒ [page 357](#)

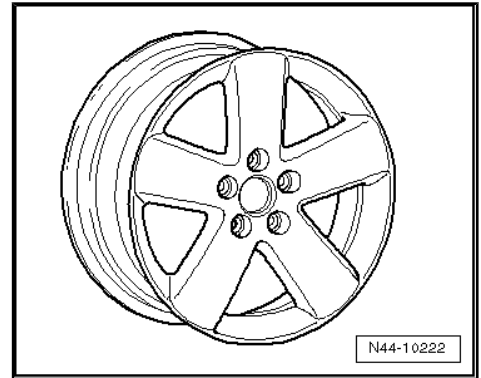
Size:	7 <sup>1</sup> / <sub>2</sub> J x 17
Wheel offset in mm:	47
Wheel load in kg:	650





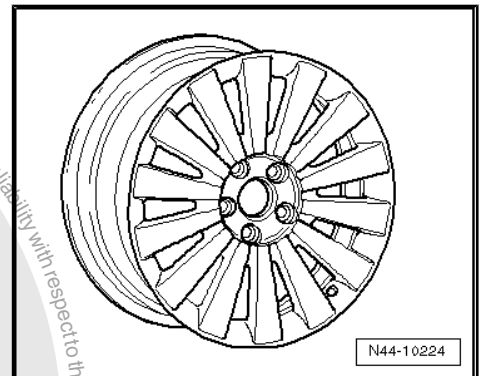
**3C0 601 025 E - Wheel and tyre combination ⇒ page 357**

Size:	7 <sup>1</sup> / <sub>2</sub> J x 17
Wheel offset in mm:	47
Wheel load in kg:	650



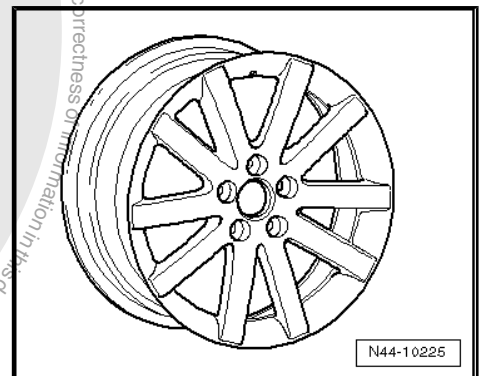
**3C0 601 025 G - Wheel and tyre combination ⇒ page 357**

Size:	7 <sup>1</sup> / <sub>2</sub> J x 17
Wheel offset in mm:	47
Wheel load in kg:	650



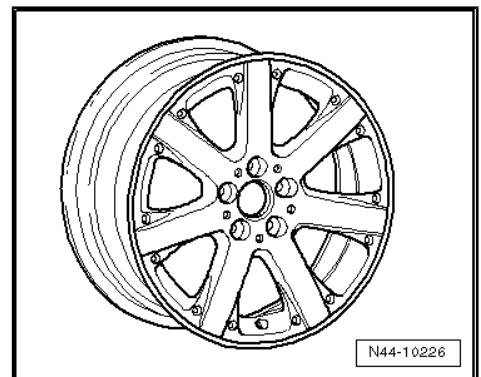
**3C0 601 025 J - Wheel and tyre combination ⇒ page 357**

Size:	7 <sup>1</sup> / <sub>2</sub> J x 17
Wheel offset in mm:	47
Wheel load in kg:	650



**3C0 601 025 K - Wheel and tyre combination ⇒ page 357**

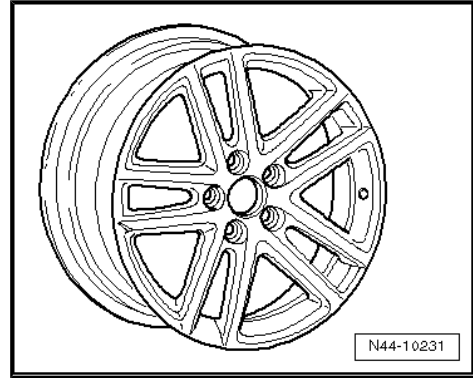
Size:	7 <sup>1</sup> / <sub>2</sub> J x 17
Wheel offset in mm:	47
Wheel load in kg:	650





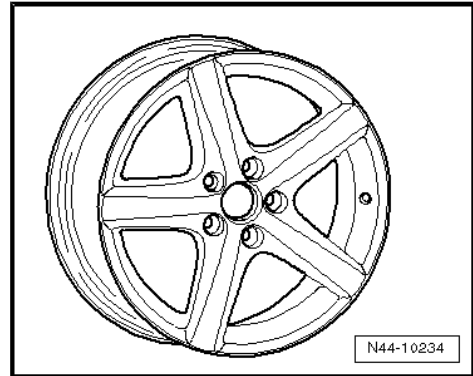
**3C0 601 025 R - Wheel and tyre combination ⇒ page 357**

Size:	7 <sup>1</sup> / <sub>2</sub> J x 17
Wheel offset in mm:	47
Wheel load in kg:	650



**3C0 601 025 S, 3C0 601 025 AQ - Wheel and tyre combination ⇒ page 357**

Size:	7 <sup>1</sup> / <sub>2</sub> J x 17
Wheel offset in mm:	47
Wheel load in kg:	650



**38.3.5 8 J x 18**



**Caution**

*Observe the allocation of wheels and tyres to the respective engines, which are listed in the overview table ⇒ page 357 .*



**Caution**

*8 J x 18 wheels can only be fitted under the following conditions:*

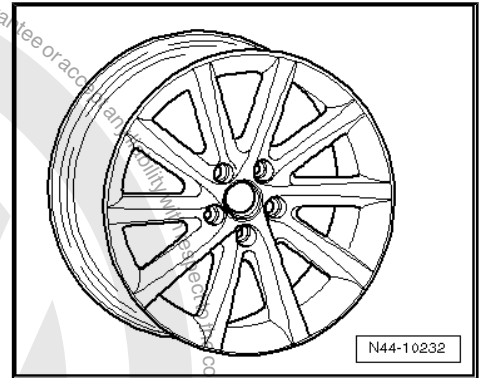
- *Either the standard running gear for 18" wheels (Pr. No. front axle G07; rear axle 1JK) see Service schedule/data sheet must be installed or spring travel limiters with Vortex part number 000.071.501/A must be fitted on front and rear axles. In both cases the rear axle camber must be set to -1°45'.*
- *Additionally wheel housing extensions (flaps) ⇒ page 4 must be fitted ⇒ Electronic parts catalogue „ETKA“ - with the exception of Germany, where trims may be left off with TÜV examination No. 1342/05.*





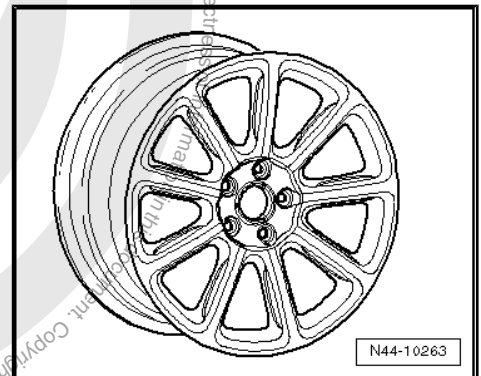
**3C0 601 025 AA, 3C0 601 025 AB - Wheel and tyre combination**  
 ⇒ [page 358](#)

Size:	8 J x 18
Wheel offset in mm:	44
Wheel load in kg:	650



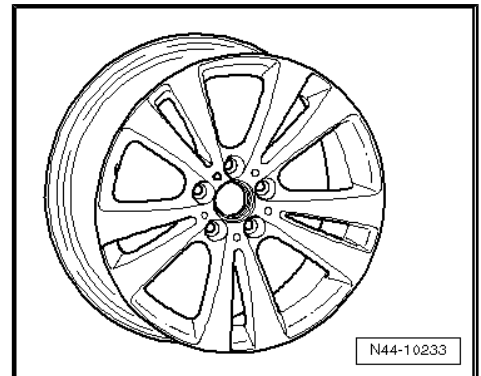
**3C0 601 025 AC - Wheel and tyre combination** ⇒ [page 358](#)

Size:	8 J x 18
Wheel offset in mm:	44
Wheel load in kg:	650



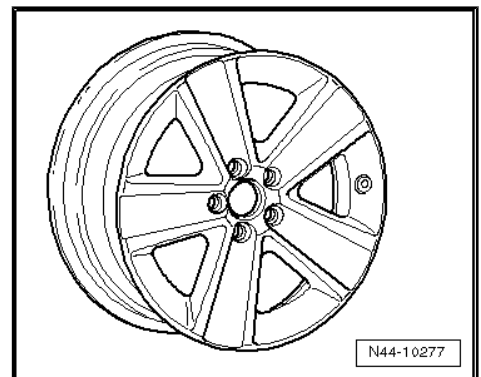
**3C0 601 025 T, 3C0 601 025 AN - Wheel and tyre combination**  
 ⇒ [page 358](#)

Size:	8 J x 18
Wheel offset in mm:	44
Wheel load in kg:	650



**3C0 601 025 AP- Wheel and tyre combination** ⇒ [page 358](#)

Size:	8 J x 18
Wheel offset in mm:	44
Wheel load in kg:	650





## 39 Passat saloon from model year 2006

### General

Volkswagen vehicles are built according to the latest findings in safety engineering. To keep it that way, we recommend the use of only genuine Volkswagen spare parts. You can recognise this by the VW Audi logo and by the part number. It has been established that these parts are reliable, safe and suitable.

Despite constant appraisal of the market, we cannot assess other products on these points, even when in isolated cases they have been passed by official inspectors or have been granted official approval. Therefore, we cannot, of course, assume any liability if these products are installed.



#### WARNING

*The products from Volkswagen genuine parts and Votex genuine accessories may differ in fitting requirements, torque specifications and so on.*

*Always follow the respective fitting and operating instructions.*

The wheel and tyre combinations or changes listed in the vehicle tables refer exclusively to Volkswagen Genuine wheels. Approval of wheel and tyre combinations or a change to wheels from the accessories trade is not possible with the certificate statement attached here.



#### WARNING

*The fitting instructions and torque specifications for wheels from Votex genuine accessories may differ from those intended for wheels from Volkswagen genuine parts.*

*Therefore, always observe the torque settings for the wheel bolts as well as the respective fitting and operating instructions.*

### 39.1 Passat saloon, type 3C model year 2006

Appendix to certificate statement 8106807121

The certificate statement can be found on the Volkswagen ServiceNet under Accessories/Tyres, Wheels and Tyres, Wheels and Tyres Guide.

Type approval number: e1\*2001/116\*0307\*00 to e1\*2001/116\*0307\*09

#### Overview

Model engine output	Tyres	Tyre size	Wheel rim	Offset in mm	Snow chains	Remarks
1.6l 75 kW; 1.6l 85 kW petrol engines;	Standard tyres	205/55 R 16 91H	6 <sup>1</sup> / <sub>2</sub> J x 16 <a href="#">⇒ page 388</a>	42	Yes	
1.9l 77 kW TDI; 2.0l 88 kW TDI; 2.0l 90 kW TDI diesel engines	Modification	215/55 R 16 93H	6 <sup>1</sup> / <sub>2</sub> J x 16 <a href="#">⇒ page 388</a>	42	No	General information on: ◆ Winter tyres <a href="#">⇒ page 14</a> ◆ Snow chains <a href="#">⇒ page 17</a>



Model engine output	Tyres	Tyre size	Wheel rim	Off-set in mm	Snow chains	Remarks
		205/55 R 16 91H	7 J x 16 ⇒ <a href="#">page 389</a>	45	No	Tyre makes recommended by Volkswagen: ♦ Summer tyres ⇒ <a href="#">page 512</a> ♦ All-season tyres ⇒ <a href="#">page 525</a> ♦ Winter tyres ⇒ <a href="#">page 537</a>  * 235/40 R 18 95 Y tyres on 8 J x 18 rims with an offset of 44 are only permitted if the specified conditions ⇒ <a href="#">page 394</a> are fulfilled! ♦ 235/40 R 18 95W tyres on 8 J x 18 rims with an offset of 44 may be used instead of 235/40 R 18 95Y tyres on 8 J x 18 rims with an offset of 44. Observe authorisation by Kraftfahrt-Bundesamt (German road traffic authority) „Authorisation of 95W tyres for Passat“. This is located on the Volkswagen ServiceNet under Accessories/ Tyres, Wheels and Tyres, Wheels and Tyres, Wheels and Tyres Guide.
		215/55 R 16 93H	7 J x 16 ⇒ <a href="#">page 389</a>	45	No	
		235/45 R 17 94V	7 1/2 J x 17 ⇒ <a href="#">page 391</a>	47	No	
		235/40 R 18 95Y* ⇒ <a href="#">page 369</a>	8 J x 18 ⇒ <a href="#">page 394</a>	44	No	
	Winter tyres	205/55 R 16 91H/V	6 1/2 J x 16 ⇒ <a href="#">page 388</a>	42	Yes	
		205/50 R 17 93H/V	6 J x 17 ⇒ <a href="#">page 391</a>	45	Yes	
2.0l 110 kW petrol engine	Standard tyres	205/55 R 16 91V	6 1/2 J x 16 ⇒ <a href="#">page 388</a>	42	Yes	
	Modification	215/55 R 16 93V	6 1/2 J x 16 ⇒ <a href="#">page 388</a>	42	No	
		205/55 R 16 91V	7 J x 16 ⇒ <a href="#">page 389</a>	45	No	
		215/55 R 16 93V	7 J x 16 ⇒ <a href="#">page 389</a>	45	No	



Model engine output	Tyres	Tyre size	Wheel rim	Off-set in mm	Snow chains	Remarks		
		235/45 R 17 94V	7 <sup>1</sup> / <sub>2</sub> J x 17 ⇒ <a href="#">page 391</a>	47	No			
		235/40 R 18 95Y* ⇒ <a href="#">page 369</a>	8 J x 18 ⇒ <a href="#">page 394</a>	44	No			
	Winter tyres	205/55 R 16 91H/V	6 <sup>1</sup> / <sub>2</sub> J x 16 ⇒ <a href="#">page 388</a>	42	Yes			
	205/50 R 17 93H/V	6 J x 17 ⇒ <a href="#">page 391</a>	45	Yes				
2.0l 100 kW TDI 2.0l 103 kW TDI 2.0l 120 kW TDI 2.0l 125 kW TDI diesel engines	Standard tyres	205/55 R 16 94V	6 <sup>1</sup> / <sub>2</sub> J x 16 ⇒ <a href="#">page 388</a>	42	Yes	Vehicles with the 100/103/120/125 kW TDI engine that have the load index LI 94 entered in the vehicle documents (205/55 R16 94V), may also be fitted with winter tyres with load index LI 91 (205/55 R 16 91H). To do this, the „approval certificate and permit for submission to the registration authority“ have to be kept in the vehicle (in Germany) with inspection report no. 1423/07.		
	Modification	215/55 R 16 93V	6 <sup>1</sup> / <sub>2</sub> J x 16 ⇒ <a href="#">page 388</a>	42	No			
		205/55 R 16 94V	7 J x 16 ⇒ <a href="#">page 389</a>	45	No			
		215/55 R 16 93V	7 J x 16 ⇒ <a href="#">page 389</a>	45	No			
		235/45 R 17 94V	7 <sup>1</sup> / <sub>2</sub> J x 17 ⇒ <a href="#">page 391</a>	47	No			
		235/40 R 18 95Y* ⇒ <a href="#">page 369</a>	8 J x 18 ⇒ <a href="#">page 394</a>	44	No			
	Winter tyres	205/55 R 16 91H/V	6 <sup>1</sup> / <sub>2</sub> J x 16 ⇒ <a href="#">page 388</a>	42	Yes			
		205/50 R 17 93H/V	6 J x 17 ⇒ <a href="#">page 391</a>	45	Yes			
	2.0l 147 kW petrol engine	Standard tyres	205/55 R 16 91W	6 <sup>1</sup> / <sub>2</sub> J x 16 ⇒ <a href="#">page 388</a>	42		Yes	
		Modification	215/55 R 16 93W	6 <sup>1</sup> / <sub>2</sub> J x 16 ⇒ <a href="#">page 388</a>	42		No	
215/55 R 16 93W			7 J x 16 ⇒ <a href="#">page 389</a>	45	No			
235/45 R 17 94W			7 <sup>1</sup> / <sub>2</sub> J x 17 ⇒ <a href="#">page 391</a>	47	No			
235/40 R 18 95Y* ⇒ <a href="#">page 369</a>			8 J x 18 ⇒ <a href="#">page 394</a>	44	No			



Model engine output	Tyres	Tyre size	Wheel rim	Off-set in mm	Snow chains	Remarks
	Winter tyres	205/55 R 16 91H/V	6 1/2 J x 16 ⇒ <a href="#">page 388</a>	42	Yes	
		205/50 R 17 93H/V	6 J x 17 ⇒ <a href="#">page 391</a>	45	Yes	
3.2l 184 kW petrol engine	Standard tyres	235/45 R 17 94W	7 1/2 J x 17 ⇒ <a href="#">page 391</a>	47	No	
	Modification	235/40 R 18 95Y* ⇒ <a href="#">page 369</a>	8 J x 18 ⇒ <a href="#">page 394</a>	44	No	
	Winter tyres	205/50 R 17 93H/V	6 J x 17 ⇒ <a href="#">page 391</a>	45	Yes	

Tyre inflation pressures are located on a sticker in fuel tank flap or in ⇒ Maintenance ; Booklet ; Check tyres: condition, profile, inflation pressure, depth of tread .

### 39.2 Passat saloon, type 3C model year 2007 to model year 2008

 **Caution**  
*Observe wheel and tyre combinations for vehicles as of type approval number: e1\*2001/116\*0307\*13 ⇒ [page 375](#) .*

Appendix to certificate statement 8106807121

The certificate statement can be found on the Volkswagen ServiceNet under Accessories/Tyres, Wheels and Tyres, Wheels and Tyres Guide.

**Type approval number: e1\*2001/116\*0307\*10 to e1\*2001/116\*0307\*12**

#### Overview

Model engine output	Tyres	Tyre size	Wheel rim	Off-set in mm	Snow chains	Remarks
1.6l 75 kW; 1.6l 85 kW petrol engines;  1.9l 77 kW TDI; diesel engines	Standard tyres	205/55 R 16 91H	6 1/2 J x 16 ⇒ <a href="#">page 388</a>	42	Yes	General information on: ◆ Winter tyres ⇒ <a href="#">page 14</a> ◆ Snow chains ⇒ <a href="#">page 17</a>  Tyre makes recommended by Volkswagen:
	Modification	215/55 R 16 93H/V	6 1/2 J x 16 ⇒ <a href="#">page 388</a>	42	No	
		205/55 R 16 91H/V	7 J x 16 ⇒ <a href="#">page 389</a>	45	No	



Model engine output	Tyres	Tyre size	Wheel rim	Off-set in mm	Snow chains	Remarks
		215/55 R 16 93H/V ⇒ <a href="#">page 389</a>	7 J x 16	45	No	<ul style="list-style-type: none"> <li>◆ Summer tyres ⇒ <a href="#">page 512</a></li> <li>◆ All-season tyres ⇒ <a href="#">page 525</a></li> <li>◆ Winter tyres ⇒ <a href="#">page 537</a></li> </ul> <p>* 235/40 R 18 95 Y tyres on 8 J x 18 rims with an offset of 44 are only permitted if the specified conditions ⇒ <a href="#">page 394</a> are fulfilled!</p> <ul style="list-style-type: none"> <li>◆ 235/40 R 18 95W tyres on 8 J x 18 rims with an offset of 44 may be used instead of 235/40 R 18 95Y tyres on 8 J x 18 rims with an offset of 44. Observe authorisation by Kraftfahrt-Bundesamt (German road traffic authority) „Authorisation of 95W tyres for Passat“. This is located on the Volkswagen ServiceNet under Accessories/ Tyres, Wheels and Tyres, Wheels and Tyres Guide.</li> </ul>
		235/45 R 17 94H/V ⇒ <a href="#">page 391</a>	7 1/2 J x 17	47	No	
		235/40 R 18 95Y* ⇒ <a href="#">page 372</a>	8 J x 18 ⇒ <a href="#">page 394</a>	44	No	
	Winter tyres	205/55 R 16 91H/V ⇒ <a href="#">page 388</a>	6 1/2 J x 16	42	Yes	
		205/50 R 17 93H/V ⇒ <a href="#">page 391</a>	6 J x 17	45	Yes	
2.0l 110 kW petrol engine	Standard tyres	205/55 R 16 91V	6 1/2 J x 16 ⇒ <a href="#">page 388</a>	42	Yes	
	Modification	215/55 R 16 93V	6 1/2 J x 16 ⇒ <a href="#">page 388</a>	42	No	
		205/55 R 16 91V	7 J x 16 ⇒ <a href="#">page 389</a>	45	No	
		215/55 R 16 93V	7 J x 16 ⇒ <a href="#">page 389</a>	45	No	
		235/45 R 17 94V	7 1/2 J x 17 ⇒ <a href="#">page 391</a>	47	No	



Model engine output	Tyres	Tyre size	Wheel rim	Off-set in mm	Snow chains	Remarks	
		235/40 R 18 95Y* ⇒ <a href="#">page 372</a>	8 J x 18 ⇒ <a href="#">page 394</a>	44	No		
	Winter tyres	205/55 R 16 91H/V	6 1/2 J x 16 ⇒ <a href="#">page 388</a>	42	Yes		
		205/50 R 17 93H/V	6 J x 17 ⇒ <a href="#">page 391</a>	45	Yes		
2.0l 100 kW TDI diesel engine with automatic/direct shift gearbox	Standard tyres	205/55 R 16 94H	6 1/2 J x 16 ⇒ <a href="#">page 388</a>	42	Yes	Vehicles with the 100/103 kW TDI engine that have the load index LI 94 entered in the vehicle documents (205/55 R16 94V), may also be fitted with winter tyres with load index LI 91 (205/55 R 16 91H). To do this, the „approval certificate and permit for submission to the registration authority“ have to be kept in the vehicle (in Germany) with inspection report no. 1423/07.	
2.0l 103 kW TDI diesel engine 4MOTION	Modification	215/55 R 16 93H/V	6 1/2 J x 16 ⇒ <a href="#">page 388</a>	42	No		
2.0l 103 kW TDI diesel engine with automatic/direct shift gearbox and front-wheel drive		205/55 R 16 94H/V	7 J x 16 ⇒ <a href="#">page 389</a>	45	No		
		215/55 R 16 93H/V	7 J x 16 ⇒ <a href="#">page 389</a>	45	No		
		235/45 R 17 94H/V	7 1/2 J x 17 ⇒ <a href="#">page 391</a>	47	No		
		235/40 R 18 95Y* ⇒ <a href="#">page 372</a>	8 J x 18 ⇒ <a href="#">page 394</a>	44	No		
	Winter tyres	205/55 R 16 91H/V	6 1/2 J x 16 ⇒ <a href="#">page 388</a>	42	Yes		
		205/50 R 17 93H/V	6 J x 17 ⇒ <a href="#">page 391</a>	45	Yes		
2.0l 100 kW TDI diesel engine with manual gearbox	Standard tyres	205/55 R 16 94V	6 1/2 J x 16 ⇒ <a href="#">page 388</a>	42	Yes		Vehicles with the 100/103/120/125 kW TDI engine that have the load index LI 94 entered in the vehicle documents (205/55 R16 94V), may also be fitted with winter tyres with load index LI 91 (205/55 R 16 91H). To do this, the „approval certificate and permit for submission to the registration authority“ have to be kept in the vehicle (in Germany) with inspection report no. 1423/07.
2.0l 103 kW TDI diesel engine with manual gearbox and front-wheel drive	Modification	215/55 R 16 93V	6 1/2 J x 16 ⇒ <a href="#">page 388</a>	42	No		
2.0l 120 kW TDI 2.0l 125 kW TDI diesel engines		205/55 R 16 94V	7 J x 16 ⇒ <a href="#">page 389</a>	45	No		
		215/55 R 16 93V	7 J x 16 ⇒ <a href="#">page 389</a>	45	No		



Model engine output	Tyres	Tyre size	Wheel rim	Off-set in mm	Snow chains	Remarks
		235/45 R 17 94V	7 <sup>1</sup> / <sub>2</sub> J x 17 ⇒ <a href="#">page 391</a>	47	No	
		235/40 R 18 95Y* ⇒ <a href="#">page 372</a>	8 J x 18 ⇒ <a href="#">page 394</a>	44	No	
	Winter tyres	205/55 R 16 91H/V	6 <sup>1</sup> / <sub>2</sub> J x 16 ⇒ <a href="#">page 388</a>	42	Yes	
		205/50 R 17 93H/V	6 J x 17 ⇒ <a href="#">page 391</a>	45	Yes	
2.0l 147 kW petrol engine	Standard tyres	205/55 R 16 91W	6 <sup>1</sup> / <sub>2</sub> J x 16 ⇒ <a href="#">page 388</a>	42	Yes	
	Modification	215/55 R 16 93W	6 <sup>1</sup> / <sub>2</sub> J x 16 ⇒ <a href="#">page 388</a>	42	No	
		215/55 R 16 93W	7 J x 16 ⇒ <a href="#">page 389</a>	45	No	
		235/45 R 17 94W	7 <sup>1</sup> / <sub>2</sub> J x 17 ⇒ <a href="#">page 391</a>	47	No	
		235/40 R 18 95Y* ⇒ <a href="#">page 372</a>	8 J x 18 ⇒ <a href="#">page 394</a>	44	No	
	Winter tyres	205/55 R 16 91H/V	6 <sup>1</sup> / <sub>2</sub> J x 16 ⇒ <a href="#">page 388</a>	42	Yes	
		205/50 R 17 93H/V	6 J x 17 ⇒ <a href="#">page 391</a>	45	Yes	
3.2l 184 kW petrol engine	Standard tyres	235/45 R 17 94W	7 <sup>1</sup> / <sub>2</sub> J x 17 ⇒ <a href="#">page 391</a>	47	No	
	Modification	235/40 R 18 95Y* ⇒ <a href="#">page 372</a>	8 J x 18 ⇒ <a href="#">page 394</a>	44	No	
	Winter tyres	205/50 R 17 93H/V	6 J x 17 ⇒ <a href="#">page 391</a>	45	Yes	

Tyre inflation pressures are located on a sticker in fuel tank flap or in ⇒ Maintenance ; Booklet ; Check tyres: condition, profile, inflation pressure, depth of tread .

Appendix to certificate statement 8106807121

The certificate statement can be found on the Volkswagen ServiceNet under Accessories/Tyres, Wheels and Tyres, Wheels and Tyres Guide.





Type approval number: e1\*2001/116\*0307\*13 to  
e1\*2001/116\*0307\*14

Overview

Model engine output	Tyres	Tyre size	Wheel rim	Off-set in mm	Snow chains	Remarks
1.6l 75 kW; 1.6l 85 kW 1.4l 90 kW petrol engines; 1.9l 77 kW TDI; diesel engines	Standard tyres	205/55 R 16 91H	6 <sup>1</sup> / <sub>2</sub> J x 16 ⇒ <a href="#">page 388</a>	42	Yes	General information on: ♦ Winter tyres ⇒ <a href="#">page 14</a> ♦ Snow chains ⇒ <a href="#">page 17</a> Tyre makes recommended by Volkswagen: ♦ Summer tyres ⇒ <a href="#">page 512</a> ♦ All-season tyres ⇒ <a href="#">page 525</a> ♦ Winter tyres ⇒ <a href="#">page 537</a>
	Modification	215/55 R 16 93H/V	6 <sup>1</sup> / <sub>2</sub> J x 16 ⇒ <a href="#">page 388</a>	42	No	
		205/55 R 16 91H/V	7 J x 16 ⇒ <a href="#">page 389</a>	45	No	
		215/55 R 16 93H/V	7 J x 16 ⇒ <a href="#">page 389</a>	45	No	
		235/45 R 17 94H/V	7 <sup>1</sup> / <sub>2</sub> J x 17 ⇒ <a href="#">page 391</a>	47	No	



Model engine output	Tyres	Tyre size	Wheel rim	Off-set in mm	Snow chains	Remarks
		235/40 R 18 95Y* ⇒ <a href="#">page 376</a>	8 J x 18 ⇒ <a href="#">page 394</a>	44	No	<p>◆ *</p> <p>235/40 R 18 95 Y tyres on 8 J x 18 rims with an offset of 44 are only permitted if the specified conditions ⇒ <a href="#">page 394</a> are fulfilled!</p> <p>◆ 235/40 R 18 95W tyres on 8 J x 18 rims with an offset of 44 may be used instead of 235/40 R 18 95Y tyres on 8 J x 18 rims with an offset of 44. Observe authorisation by Kraftfahrt-Bundesamt (German road traffic authority) „Authorisation of 95W tyres for Passat“. This is located on the Volkswagen ServiceNet under Accessories/ Tyres, Wheels and Tyres, Wheels and Tyres Guide.</p>
	Winter tyres	205/55 R 16 91H/V	6 <sup>1</sup> / <sub>2</sub> J x 16 ⇒ <a href="#">page 388</a>	42	Yes	
		205/50 R 17 93H/V	6 J x 17 ⇒ <a href="#">page 391</a>	45	Yes	
1.8l 118 kW 2.0l 110 kW petrol engine	Standard tyres	205/55 R 16 91V	6 <sup>1</sup> / <sub>2</sub> J x 16 ⇒ <a href="#">page 388</a>	42	Yes	
	Modification	215/55 R 16 93V	6 <sup>1</sup> / <sub>2</sub> J x 16 ⇒ <a href="#">page 388</a>	42	No	
		205/55 R 16 91V	7 J x 16 ⇒ <a href="#">page 389</a>	45	No	
		215/55 R 16 93V	7 J x 16 ⇒ <a href="#">page 389</a>	45	No	
		235/45 R 17 94V	7 <sup>1</sup> / <sub>2</sub> J x 17 ⇒ <a href="#">page 391</a>	47	No	
		235/40 R 18 95Y* ⇒ <a href="#">page 376</a>	8 J x 18 ⇒ <a href="#">page 394</a>	44	No	
	Winter tyres	205/55 R 16 91H/V	6 <sup>1</sup> / <sub>2</sub> J x 16 ⇒ <a href="#">page 388</a>	42	Yes	
		205/50 R 17 93H/V	6 J x 17 ⇒ <a href="#">page 391</a>	45	Yes	



Model engine output	Tyres	Tyre size	Wheel rim	Off-set in mm	Snow chains	Remarks
2.0l 100 kW TDI diesel engine with automatic/direct shift gearbox 2.0l 103 kW TDI diesel engine 4MOTION 2.0l 103 kW TDI diesel engine with automatic/direct shift gearbox and front-wheel drive	Standard tyres	205/55 R 16 91H	6 <sup>1</sup> / <sub>2</sub> J x 16 ⇒ <a href="#">page 388</a>	42	Yes	
	Modification	215/55 R 16 93H/V	6 <sup>1</sup> / <sub>2</sub> J x 16 ⇒ <a href="#">page 388</a>	42	No	
		205/55 R 16 91H/V	7 J x 16 ⇒ <a href="#">page 389</a>	45	No	
		215/55 R 16 93H/V	7 J x 16 ⇒ <a href="#">page 389</a>	45	No	
		235/45 R 17 94H/V	7 <sup>1</sup> / <sub>2</sub> J x 17 ⇒ <a href="#">page 391</a>	47	No	
		235/40 R 18 95Y* ⇒ <a href="#">page 376</a>	8 J x 18 ⇒ <a href="#">page 394</a>	44	No	
	Winter tyres	205/55 R 16 91H/V	6 <sup>1</sup> / <sub>2</sub> J x 16 ⇒ <a href="#">page 388</a>	42	Yes	
		205/50 R 17 93H/V	6 J x 17 ⇒ <a href="#">page 391</a>	45	Yes	
	2.0l 100 kW TDI diesel engine with manual gearbox 2.0l 103 kW TDI diesel engine with manual gearbox and front-wheel drive 2.0l 120 kW TDI 2.0l 125 kW TDI diesel engines	Standard tyres	205/55 R 16 91V	6 <sup>1</sup> / <sub>2</sub> J x 16 ⇒ <a href="#">page 388</a>	42	Yes
Modification		215/55 R 16 93V	6 <sup>1</sup> / <sub>2</sub> J x 16 ⇒ <a href="#">page 388</a>	42	No	
		205/55 R 16 91V	7 J x 16 ⇒ <a href="#">page 389</a>	45	No	
		215/55 R 16 93V	7 J x 16 ⇒ <a href="#">page 389</a>	45	No	
		235/45 R 17 94V	7 <sup>1</sup> / <sub>2</sub> J x 17 ⇒ <a href="#">page 391</a>	47	No	
		235/40 R 18 95Y* ⇒ <a href="#">page 376</a>	8 J x 18 ⇒ <a href="#">page 394</a>	44	No	
Winter tyres		205/55 R 16 91H/V	6 <sup>1</sup> / <sub>2</sub> J x 16 ⇒ <a href="#">page 388</a>	42	Yes	
		205/50 R 17 93H/V	6 J x 17 ⇒ <a href="#">page 391</a>	45	Yes	



Model engine output	Tyres	Tyre size	Wheel rim	Off-set in mm	Snow chains	Remarks
2.0l 147 kW petrol engine	Standard tyres	205/55 R 16 91W	6 <sup>1</sup> / <sub>2</sub> J x 16 ⇒ <a href="#">page 388</a>	42	Yes	
	Modification	215/55 R 16 93W	6 <sup>1</sup> / <sub>2</sub> J x 16 ⇒ <a href="#">page 388</a>	42	No	
		215/55 R 16 93W	7 J x 16 ⇒ <a href="#">page 389</a>	45	No	
		235/45 R 17 94W	7 <sup>1</sup> / <sub>2</sub> J x 17 ⇒ <a href="#">page 391</a>	47	No	
		235/40 R 18 95Y* ⇒ <a href="#">page 376</a>	8 J x 18 ⇒ <a href="#">page 394</a>	44	No	
	Winter tyres	205/55 R 16 91H/V	6 <sup>1</sup> / <sub>2</sub> J x 16 ⇒ <a href="#">page 388</a>	42	Yes	
		205/50 R 17 93H/V	6 J x 17 ⇒ <a href="#">page 391</a>	45	Yes	
3.2l 184 kW petrol engine	Standard tyres	235/45 R 17 94W	7 <sup>1</sup> / <sub>2</sub> J x 17 ⇒ <a href="#">page 391</a>	47	No	
	Modification	235/40 R 18 95Y* ⇒ <a href="#">page 376</a>	8 J x 18 ⇒ <a href="#">page 394</a>	44	No	
	Winter tyres	205/50 R 17 93H/V	6 J x 17 ⇒ <a href="#">page 391</a>	45	Yes	

Tyre inflation pressures are located on a sticker in fuel tank flap or in ⇒ Maintenance ; Booklet ; Check tyres: condition, profile, inflation pressure, depth of tread .

### 39.3 Passat saloon, type 3C model year 2009



#### Caution

Observe wheel and tyre combinations for vehicles as of type approval number: e1\*2001/116\*0307\*19 ⇒ [page 382](#) .

Appendix to certificate statement 8106807121

The certificate statement can be found on the Volkswagen ServiceNet under Accessories/Tyres, Wheels and Tyres, Wheels and Tyres Guide.



Type approval number: e1\*2001/116\*0307\*15 to e1\*2001/116\*0307\*18

Overview

Model engine output	Tyres	Tyre size	Wheel rim	Off-set in mm	Snow chains	Remarks
1.6l 75 kW; 1.6l 85 kW 1.4l 90 kW petrol engines; 1.9l 77 kW TDI; 2.0l 81 kW TDI; 2.0l 100 kW TDI 2.0l 103 kW TDI diesel engines	Standard tyres	205/55 R 16 91H	6 <sup>1</sup> / <sub>2</sub> J x 16 ⇒ <a href="#">page 388</a>	42	Yes	General information on: ♦ Winter tyres ⇒ <a href="#">page 14</a> ♦ Snow chains ⇒ <a href="#">page 17</a> Tyre makes recommended by Volkswagen: ♦ Summer tyres ⇒ <a href="#">page 512</a> ♦ All-season tyres ⇒ <a href="#">page 525</a> ♦ Winter tyres ⇒ <a href="#">page 537</a>
	Modification	215/55 R 16 93H/V	6 <sup>1</sup> / <sub>2</sub> J x 16 ⇒ <a href="#">page 388</a>	42	No	
		205/55 R 16 91H/V	7 J x 16 ⇒ <a href="#">page 389</a>	45	No	
		215/55 R 16 93H/V	7 J x 16 ⇒ <a href="#">page 389</a>	45	No	
		235/45 R 17 94H/V	7 <sup>1</sup> / <sub>2</sub> J x 17 ⇒ <a href="#">page 391</a>	47	No	



Model engine output	Tyres	Tyre size	Wheel rim	Off-set in mm	Snow chains	Remarks
		235/40 R 18 95Y* ⇒ <a href="#">page 380</a>	8 J x 18 ⇒ <a href="#">page 394</a>	44	No	<p>◆ *</p> <p>235/40 R 18 95 Y tyres on 8 J x 18 rims with an offset of 44 are only permitted if the specified conditions ⇒ <a href="#">page 394</a> are fulfilled!</p> <p>◆ 235/40 R 18 95W tyres on 8 J x 18 rims with an offset of 44 may be used instead of 235/40 R 18 95Y tyres on 8 J x 18 rims with an offset of 44. Observe authorisation by Kraftfahrt-Bundesamt (German road traffic authority) „Authorisation of 95W tyres for Passat“. This is located on the Volkswagen ServiceNet under Accessories/ Tyres, Wheels and Tyres, Wheels and Tyres Guide.</p>
	Winter tyres	205/55 R 16 91H/V	6 <sup>1</sup> / <sub>2</sub> J x 16 ⇒ <a href="#">page 388</a>	42	Yes	
		205/50 R 17 93H/V	6 J x 17 ⇒ <a href="#">page 391</a>	45	Yes	
2.0l 105 kW TDI diesel engine	Standard tyres	205/55 R 16 91H	6 <sup>1</sup> / <sub>2</sub> J x 16 ⇒ <a href="#">page 388</a>	42	Yes	
	Modification	205/55 R 16 91H/V	7 J x 16 ⇒ <a href="#">page 389</a>	45	No	
		205/50 R 17 93H/V	6 J x 17 ⇒ <a href="#">page 391</a>	45	Yes	
		235/45 R 17 94H/V	7 <sup>1</sup> / <sub>2</sub> J x 17 ⇒ <a href="#">page 391</a>	47	No	
		235/40 R 18 95Y* ⇒ <a href="#">page 380</a>	8 J x 18 ⇒ <a href="#">page 394</a>	44	No	
	Winter tyres	205/55 R 16 91H/V	6 <sup>1</sup> / <sub>2</sub> J x 16 ⇒ <a href="#">page 388</a>	42	Yes	
		205/50 R 17 93H/V	6 J x 17 ⇒ <a href="#">page 391</a>	45	Yes	
1.4l 110 kW EcoFuel	Standard tyres	205/55 R 16 91V	6 <sup>1</sup> / <sub>2</sub> J x 16 ⇒ <a href="#">page 388</a>	42	Yes	



Model engine output	Tyres	Tyre size	Wheel rim	Off-set in mm	Snow chains	Remarks
	Modification	205/55 R 16 91V	7 J x 16 ⇒ <a href="#">page 389</a>	45	No	
		205/50 R 17 93V	6 J x 17 ⇒ <a href="#">page 391</a>	45	Yes	
		235/45 R 17 94V	7 1/2 J x 17 ⇒ <a href="#">page 391</a>	47	No	
	Winter tyres	205/55 R 16 91H/V	6 1/2 J x 16 ⇒ <a href="#">page 388</a>	42	Yes	
		205/50 R 17 93H/V	6 J x 17 ⇒ <a href="#">page 391</a>	45	Yes	
1.8l 118 kW 2.0l 110 kW petrol engine  2.0l 120 kW TDI 2.0l 125 kW TDI diesel engines	Standard tyres	205/55 R 16 91V	6 1/2 J x 16 ⇒ <a href="#">page 388</a>	42	Yes	
	Modification	215/55 R 16 93V	6 1/2 J x 16 ⇒ <a href="#">page 388</a>	42	No	
		205/55 R 16 91V	7 J x 16 ⇒ <a href="#">page 389</a>	45	No	
		215/55 R 16 93V	7 J x 16 ⇒ <a href="#">page 389</a>	45	No	
		235/45 R 17 94V	7 1/2 J x 17 ⇒ <a href="#">page 391</a>	47	No	
		235/40 R 18 95Y* ⇒ <a href="#">page 380</a>	8 J x 18 ⇒ <a href="#">page 394</a>	44	No	
	Winter tyres	205/55 R 16 91H/V	6 1/2 J x 16 ⇒ <a href="#">page 388</a>	42	Yes	
		205/50 R 17 93H/V	6 J x 17 ⇒ <a href="#">page 391</a>	45	Yes	
	2.0l 147 kW petrol engine	Standard tyres	205/55 R 16 91V	6 1/2 J x 16 ⇒ <a href="#">page 388</a>	42	Yes
		Modification	215/55 R 16 93W	6 1/2 J x 16 ⇒ <a href="#">page 388</a>	42	No
			205/55 R 16 91V	7 J x 16 ⇒ <a href="#">page 389</a>	45	No
			215/55 R 16 93W	7 J x 16 ⇒ <a href="#">page 389</a>	45	No
235/45 R 17 94W			7 1/2 J x 17 ⇒ <a href="#">page 391</a>	47	No	



Model engine output	Tyres	Tyre size	Wheel rim	Off-set in mm	Snow chains	Remarks
		235/40 R 18 95Y* ⇒ <a href="#">page 380</a>	8 J x 18 ⇒ <a href="#">page 394</a>	44	No	
	Winter tyres	205/55 R 16 91H/V	6 <sup>1</sup> / <sub>2</sub> J x 16 ⇒ <a href="#">page 388</a>	42	Yes	
		205/50 R 17 93H/V	6 J x 17 ⇒ <a href="#">page 391</a>	45	Yes	
3.2l 184 kW petrol engine	Standard tyres	235/45 R 17 94W	7 <sup>1</sup> / <sub>2</sub> J x 17 ⇒ <a href="#">page 391</a>	47	No	
	Modification	235/40 R 18 95Y* ⇒ <a href="#">page 380</a>	8 J x 18 ⇒ <a href="#">page 394</a>	44	No	
	Winter tyres	205/50 R 17 93H/V	6 J x 17 ⇒ <a href="#">page 391</a>	45	Yes	

Tyre inflation pressures are located on a sticker in fuel tank flap or in ⇒ Maintenance ; Booklet ; Check tyres: condition, profile, inflation pressure, depth of tread .

#### Appendix to certificate statement 8106807121

The certificate statement can be found on the Volkswagen ServiceNet under Accessories/Tyres, Wheels and Tyres, Wheels and Tyres Guide.

Type approval number: e1\*2001/116\*0307\*19

#### Overview

Model engine output	Tyres	Tyre size	Wheel rim	Off-set in mm	Snow chains	Remarks
1.6l 75 kW; 1.4l 90 kW petrol engines;  2.0l 81 kW TDI; 2.0l 100 kW TDI; 2.0l 103 kW TDI diesel engines	Standard tyres	205/55 R 16 91H	6 <sup>1</sup> / <sub>2</sub> J x 16 ⇒ <a href="#">page 388</a>	42	Yes	General information on: ♦ Winter tyres ⇒ <a href="#">page 14</a>  ♦ Snow chains ⇒ <a href="#">page 17</a>  Tyre makes recommended by Volkswagen: ♦ Summer tyres ⇒ <a href="#">page 512</a> ♦ All-season tyres ⇒ <a href="#">page 525</a> ♦ Winter tyres ⇒ <a href="#">page 537</a>
	Modification	215/55 R 16 93H/V	6 <sup>1</sup> / <sub>2</sub> J x 16 ⇒ <a href="#">page 388</a>	42	No	
		205/55 R 16 91H/V	7 J x 16 ⇒ <a href="#">page 389</a>	45	No	
		215/55 R 16 93H/V	7 J x 16 ⇒ <a href="#">page 389</a>	45	No	





Model engine output	Tyres	Tyre size	Wheel rim	Off-set in mm	Snow chains	Remarks
		235/45 R 17 94H/V	7 1/2 J x 17 ⇒ <a href="#">page 391</a>	47	No	<p>◆ *</p> <p>235/40 R 18 95 Y tyres on 8 J x 18 rims with an offset of 44 are only permitted if the specified conditions ⇒ <a href="#">page 394</a> are fulfilled!</p> <p>◆ 235/40 R 18 95W tyres on 8 J x 18 rims with an offset of 44 may be used instead of 235/40 R 18 95Y tyres on 8 J x 18 rims with an offset of 44. Observe authorisation by Kraftfahrt-Bundesamt (German road traffic authority) „Authorisation of 95W tyres for Passat“. This is located on the Volkswagen ServiceNet under Accessories/ Tyres, Wheels and Tyres, Wheels and Tyres Guide.</p>
		235/40 R 18 95Y* ⇒ <a href="#">page 383</a>	8 J x 18 ⇒ <a href="#">page 394</a>	44	No	
	Winter tyres	205/55 R 16 91H/V	6 1/2 J x 16 ⇒ <a href="#">page 388</a>	42	Yes	
		205/50 R 17 93H/V	6 J x 17 ⇒ <a href="#">page 391</a>	45	Yes	
2.0l 105 kW TDI diesel engine	Standard tyres	205/55 R 16 91H	6 1/2 J x 16 ⇒ <a href="#">page 388</a>	42	Yes	
	Modification	205/55 R 16 91H/V	7 J x 16 ⇒ <a href="#">page 389</a>	45	No	
		205/50 R 17 93H/V	6 J x 17 ⇒ <a href="#">page 391</a>	45	Yes	
		235/45 R 17 94H/V	7 1/2 J x 17 ⇒ <a href="#">page 391</a>	47	No	
		235/40 R 18 95Y* ⇒ <a href="#">page 383</a>	8 J x 18 ⇒ <a href="#">page 394</a>	44	No	
		205/55 R 16 91H/V	6 1/2 J x 16 ⇒ <a href="#">page 388</a>	42	Yes	
	Winter tyres	205/50 R 17 93H/V	6 J x 17 ⇒ <a href="#">page 391</a>	45	Yes	



Model engine output	Tyres	Tyre size	Wheel rim	Off-set in mm	Snow chains	Remarks	
1.4l 110 kW EcoFuel	Standard tyres	205/55 R 16 91H	6 <sup>1</sup> / <sub>2</sub> J x 16 ⇒ <a href="#">page 388</a>	42	Yes		
	Modification	205/55 R 16 91H	7 J x 16 ⇒ <a href="#">page 389</a>	45	No		
		205/50 R 17 93H	6 J x 17 ⇒ <a href="#">page 391</a>	45	Yes		
		235/45 R 17 94H/V	7 <sup>1</sup> / <sub>2</sub> J x 17 ⇒ <a href="#">page 391</a>	47	No		
	Winter tyres	205/55 R 16 91H/V	6 <sup>1</sup> / <sub>2</sub> J x 16 ⇒ <a href="#">page 388</a>	42	Yes		
		205/50 R 17 93H/V	6 J x 17 ⇒ <a href="#">page 391</a>	45	Yes		
1.8l 118 kW 2.0l 110 kW petrol engine  2.0l 125 kW TDI diesel engines	Standard tyres	205/55 R 16 91V	6 <sup>1</sup> / <sub>2</sub> J x 16 ⇒ <a href="#">page 388</a>	42	Yes		
	Modification	215/55 R 16 93V	6 <sup>1</sup> / <sub>2</sub> J x 16 ⇒ <a href="#">page 388</a>	42	No		
		205/55 R 16 91V	7 J x 16 ⇒ <a href="#">page 389</a>	45	No		
		215/55 R 16 93V	7 J x 16 ⇒ <a href="#">page 389</a>	45	No		
		235/45 R 17 94V	7 <sup>1</sup> / <sub>2</sub> J x 17 ⇒ <a href="#">page 391</a>	47	No		
		235/40 R 18 95Y* ⇒ <a href="#">page 383</a>	8 J x 18 ⇒ <a href="#">page 394</a>	44	No		
	Winter tyres	205/55 R 16 91H/V	6 <sup>1</sup> / <sub>2</sub> J x 16 ⇒ <a href="#">page 388</a>	42	Yes		
		205/50 R 17 93H/V	6 J x 17 ⇒ <a href="#">page 391</a>	45	Yes		
	2.0l 147 kW petrol engine	Standard tyres	205/55 R 16 91V	6 <sup>1</sup> / <sub>2</sub> J x 16 ⇒ <a href="#">page 388</a>	42	Yes	
		Modification	215/55 R 16 93W	6 <sup>1</sup> / <sub>2</sub> J x 16 ⇒ <a href="#">page 388</a>	42	No	
205/55 R 16 91V			7 J x 16 ⇒ <a href="#">page 389</a>	45	No		
215/55 R 16 93W			7 J x 16 ⇒ <a href="#">page 389</a>	45	No		



Model engine output	Tyres	Tyre size	Wheel rim	Off-set in mm	Snow chains	Remarks
		235/45 R 17 94W	7 <sup>1</sup> / <sub>2</sub> J x 17 ⇒ <a href="#">page 391</a>	47	No	
		235/40 R 18 95Y* ⇒ <a href="#">page 383</a>	8 J x 18 ⇒ <a href="#">page 394</a>	44	No	
	Winter tyres	205/55 R 16 91H/V	6 <sup>1</sup> / <sub>2</sub> J x 16 ⇒ <a href="#">page 388</a>	42	Yes	
		205/50 R 17 93H/V	6 J x 17 ⇒ <a href="#">page 391</a>	45	Yes	
3.2l 184 kW petrol engine	Standard tyres	235/45 R 17 94W	7 <sup>1</sup> / <sub>2</sub> J x 17 ⇒ <a href="#">page 391</a>	47	No	
	Modification	235/40 R 18 95Y* ⇒ <a href="#">page 383</a>	8 J x 18 ⇒ <a href="#">page 394</a>	44	No	
	Winter tyres	205/50 R 17 93H/V	6 J x 17 ⇒ <a href="#">page 391</a>	45	Yes	

Tyre inflation pressures are located on a sticker in fuel tank flap or in ⇒ Maintenance ; Booklet ; Check tyres: condition, profile, inflation pressure, depth of tread .

### 39.4 Passat saloon, type 3C model year 2010 to model year 2011

Appendix to certificate statement 8106807121

The certificate statement can be found on the Volkswagen ServiceNet under Accessories/Tyres, Wheels and Tyres, Wheels and Tyres Guide.

Type Approval No.: e1\*2001/116\*0307\*20 to e1\*2001/116\*0307\*23

#### Overview

Model engine output	Tyres	Tyre size	Wheel rim	Off-set in mm	Snow chains	Remarks
1.6l 75 kW; 1.4l 90 kW petrol engines;  2.0l 81 kW TDI; 2.0l 100 kW TDI; 2.0l 103 kW TDI diesel engines	Standard tyres	205/55 R 16 91H	6 <sup>1</sup> / <sub>2</sub> J x 16 ⇒ <a href="#">page 388</a>	42	Yes	General information on: ◆ Winter tyres ⇒ <a href="#">page 14</a> ◆ Snow chains ⇒ <a href="#">page 17</a>  Tyre makes recommended by Volkswagen:
	Modification	215/55 R 16 93H/V	6 <sup>1</sup> / <sub>2</sub> J x 16 ⇒ <a href="#">page 388</a>	42	No	
		205/55 R 16 91H/V	7 J x 16 ⇒ <a href="#">page 389</a>	45	No	



Model engine output	Tyres	Tyre size	Wheel rim	Off-set in mm	Snow chains	Remarks
		215/55 R 16 93H/V	7 J x 16 ⇒ <a href="#">page 389</a>	45	No	<ul style="list-style-type: none"> <li>◆ Summer tyres ⇒ <a href="#">page 512</a></li> <li>◆ All-season tyres ⇒ <a href="#">page 525</a></li> <li>◆ Winter tyres ⇒ <a href="#">page 537</a></li> </ul>
		235/45 R 17 94H/V	7 <sup>1</sup> / <sub>2</sub> J x 17 ⇒ <a href="#">page 391</a>	47	No	
		235/40 R 18 95W* ⇒ <a href="#">page 386</a>	8 J x 18 ⇒ <a href="#">page 394</a>	44	No	
	Winter tyres	205/55 R 16 91H/V	6 <sup>1</sup> / <sub>2</sub> J x 16 ⇒ <a href="#">page 388</a>	42	Yes	<p>* 235/40 R 18 95W tyres on 8 J x 18 rims with an offset of 44 are only permitted if the specified conditions ⇒ <a href="#">page 394</a> are fulfilled!</p>
		205/50 R 17 93H/V	6 J x 17 ⇒ <a href="#">page 391</a>	45	Yes	
2.0l 105 kW TDI diesel engine	Standard tyres	205/55 R 16 91H	6 <sup>1</sup> / <sub>2</sub> J x 16 ⇒ <a href="#">page 388</a>	42	Yes	
	Modification	205/55 R 16 91H/V	7 J x 16 ⇒ <a href="#">page 389</a>	45	No	
		205/50 R 17 93H/V	6 J x 17 ⇒ <a href="#">page 391</a>	45	Yes	
		235/45 R 17 94H/V	7 <sup>1</sup> / <sub>2</sub> J x 17 ⇒ <a href="#">page 391</a>	47	No	
		235/40 R 18 95W* ⇒ <a href="#">page 386</a>	8 J x 18 ⇒ <a href="#">page 394</a>	44	No	
Winter tyres	205/55 R 16 91H/V	6 <sup>1</sup> / <sub>2</sub> J x 16 ⇒ <a href="#">page 388</a>	42	Yes		
	205/50 R 17 93H/V	6 J x 17 ⇒ <a href="#">page 391</a>	45	Yes		
1.4l 110 kW EcoFuel	Standard tyres	205/55 R 16 91H	6 <sup>1</sup> / <sub>2</sub> J x 16 ⇒ <a href="#">page 388</a>	42	Yes	
	Modification	205/55 R 16 91H	7 J x 16 ⇒ <a href="#">page 389</a>	45	No	



Model engine output	Tyres	Tyre size	Wheel rim	Off-set in mm	Snow chains	Remarks
		205/50 R 17 93H	6 J x 17 ⇒ <a href="#">page 391</a>	45	Yes	
		235/45 R 17 94H/V	7 1/2 J x 17 ⇒ <a href="#">page 391</a>	47	No	
	Winter tyres	205/55 R 16 91H/V	6 1/2 J x 16 ⇒ <a href="#">page 388</a>	42	Yes	
		205/50 R 17 93H/V	6 J x 17 ⇒ <a href="#">page 391</a>	45	Yes	
1.8l 118 kW 2.0l 110 kW petrol engine  2.0l 125 kW TDI diesel engines	Standard tyres	205/55 R 16 91V	6 1/2 J x 16 ⇒ <a href="#">page 388</a>	42	Yes	
	Modification	215/55 R 16 93V	6 1/2 J x 16 ⇒ <a href="#">page 388</a>	42	No	
		205/55 R 16 91V	7 J x 16 ⇒ <a href="#">page 389</a>	45	No	
		215/55 R 16 93V	7 J x 16 ⇒ <a href="#">page 389</a>	45	No	
		235/45 R 17 94V	7 1/2 J x 17 ⇒ <a href="#">page 391</a>	47	No	
		235/40 R 18 95W* ⇒ <a href="#">page 387</a>	8 J x 18 ⇒ <a href="#">page 394</a>	44	No	
	Winter tyres	205/55 R 16 91H/V	6 1/2 J x 16 ⇒ <a href="#">page 388</a>	42	Yes	
		205/50 R 17 93H/V	6 J x 17 ⇒ <a href="#">page 391</a>	45	Yes	
2.0l 147 kW petrol engine	Standard tyres	205/55 R 16 91V	6 1/2 J x 16 ⇒ <a href="#">page 388</a>	42	Yes	
	Modification	215/55 R 16 93W	6 1/2 J x 16 ⇒ <a href="#">page 388</a>	42	No	
		205/55 R 16 91V	7 J x 16 ⇒ <a href="#">page 389</a>	45	No	
		215/55 R 16 93W	7 J x 16 ⇒ <a href="#">page 389</a>	45	No	
		235/45 R 17 94W	7 1/2 J x 17 ⇒ <a href="#">page 391</a>	47	No	

\* 235/40 R 18 95W  
tyres on 8 J x 18 rims  
with an offset of 44  
are only permitted  
if the specified con-  
ditions ⇒ [page 394](#)  
are fulfilled!



Model engine output	Tyres	Tyre size	Wheel rim	Off-set in mm	Snow chains	Remarks
		235/40 R 18 95W* ⇒ <a href="#">page 388</a>	8 J x 18 ⇒ <a href="#">page 394</a>	44	No	* 235/40 R 18 95W tyres on 8 J x 18 rims with an offset of 44 are only permitted if the specified conditions ⇒ <a href="#">page 394</a> are fulfilled!
	Winter tyres	205/55 R 16 91H/V	6 <sup>1</sup> / <sub>2</sub> J x 16 ⇒ <a href="#">page 388</a>	42	Yes	
		205/50 R 17 93H/V	6 J x 17 ⇒ <a href="#">page 391</a>	45	Yes	
3.2l 184 kW petrol engine	Standard tyres	235/45 R 17 94W	7 <sup>1</sup> / <sub>2</sub> J x 17 ⇒ <a href="#">page 391</a>	47	No	* 235/40 R 18 95W tyres on 8 J x 18 rims with an offset of 44 are only permitted if the specified conditions ⇒ <a href="#">page 394</a> are fulfilled!
	Modification	235/40 R 18 95W* ⇒ <a href="#">page 388</a>	8 J x 18 ⇒ <a href="#">page 394</a>	44	No	
	Winter tyres	205/50 R 17 93H/V	6 J x 17 ⇒ <a href="#">page 391</a>	45	Yes	

Tyre inflation pressures are located on a sticker in fuel tank flap or in ⇒ Maintenance ; Booklet ; Check tyres: condition, profile, inflation pressure, depth of tread .

### 39.5 Wheel allocation for Passat saloon, type 3C model year 2006 to model year 2011

Explanation of information on wheels ⇒ [page 58](#)

Torque settings for wheel bolts ⇒ Running gear, axles, steering;  
Rep. gr. 44 ; Torque settings for fitting wheels

Pitch circle diameter: 112 mm

Number of wheel bolt holes: 5

#### 39.5.1 6<sup>1</sup>/<sub>2</sub> J x 16



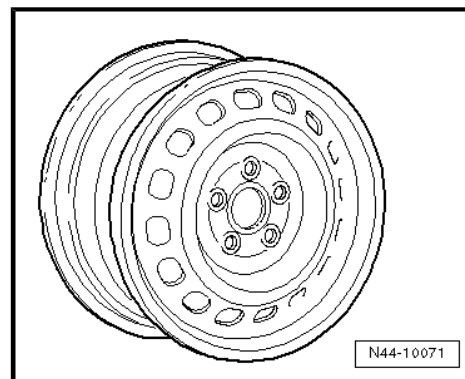
#### Caution

*Observe the allocation of wheels and tyres to the respective engines, which are listed in the overview table ⇒ [page 368](#) .*



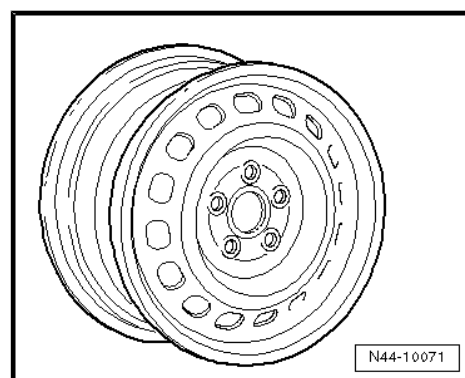
**3C0 601 027 H - Wheel and tyre combination ⇒ page 368**

Size:	6 <sup>1</sup> / <sub>2</sub> J x 16
Wheel offset in mm:	42
Wheel load in kg:	650



**3C0 601,027 AA - Wheel and tyre combination ⇒ page 368**

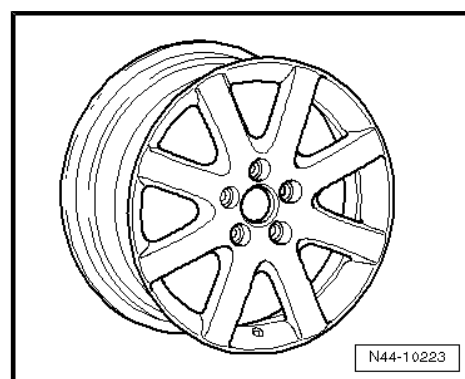
Size:	6 <sup>1</sup> / <sub>2</sub> J x 16
Wheel offset in mm:	42
Wheel load in kg:	650



**Winter wheel**

**3C0 601 025 F - Wheel and tyre combination ⇒ page 369**

Size:	6 <sup>1</sup> / <sub>2</sub> J x 16
Wheel offset in mm:	42
Wheel load in kg:	650



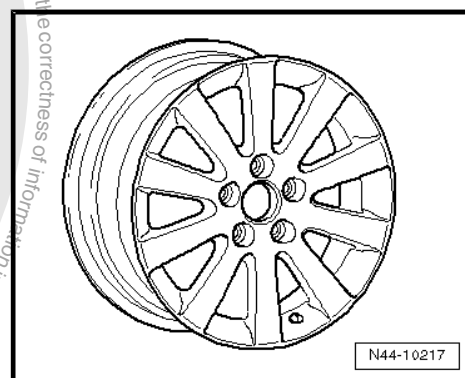
**39.5.2 7 J x 16**

**Caution**

*Observe the allocation of wheels and tyres to the respective engines, which are listed in the overview table ⇒ [page 368](#) .*

**3C0 601 025, 3C0 601 025 AD - Wheel and tyre combination ⇒ page 369**

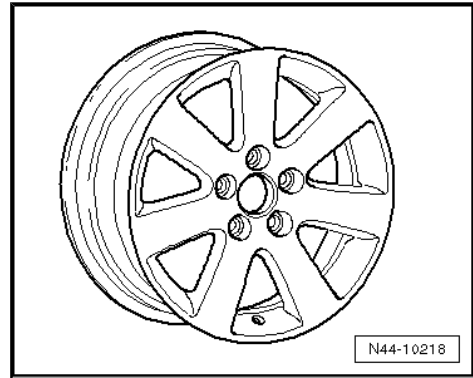
Size:	7 J x 16
Wheel offset in mm:	45
Wheel load in kg:	650





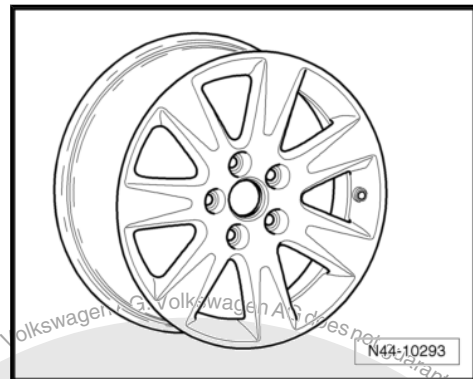
**3C0 601 025 A - Wheel and tyre combination ⇒ page 369**

Size:	7 J x 16
Wheel offset in mm:	45
Wheel load in kg:	650



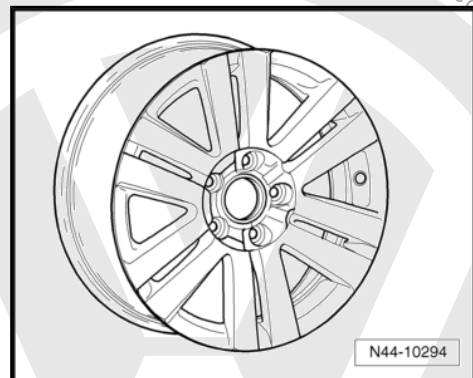
**3C0 601 025 AE - Wheel and tyre combination ⇒ page 369**

Size:	7 J x 16
Wheel offset in mm:	45
Wheel load in kg:	650



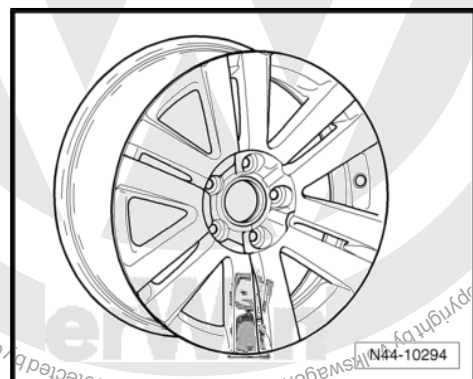
**3C0 601 025 AF - Wheel and tyre combination ⇒ page 369**

Size:	7 J x 16
Wheel offset in mm:	45
Wheel load in kg:	650



**3C0 601 025 B - Wheel and tyre combination ⇒ page 369**

Size:	7 J x 16
Wheel offset in mm:	45
Wheel load in kg:	650

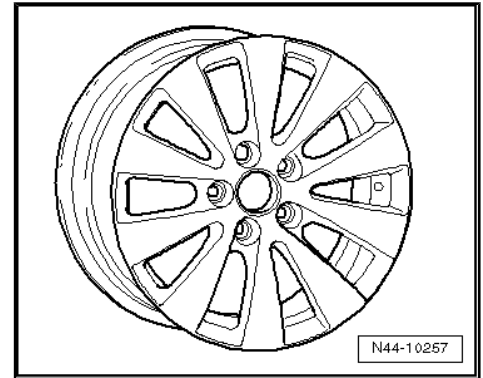






**3C0 601 025 C - Wheel and tyre combination ⇒ page 369**

Size:	7 J x 16 EH2 ⇒ page 58
Wheel offset in mm:	45
Wheel load in kg:	650



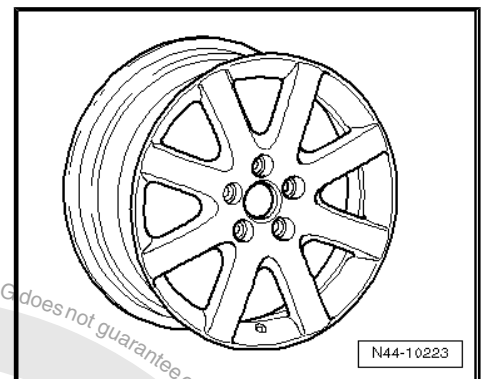
**39.5.3 6 J x 17**

**⚠ Caution**  
*Observe the allocation of wheels and tyres to the respective engines, which are listed in the overview table ⇒ page 368 .*

**Winter wheel**

**3C0 601 025 M - Wheel and tyre combination ⇒ page 369**

Size:	6 J x 17
Wheel offset in mm:	45
Wheel load in kg:	650

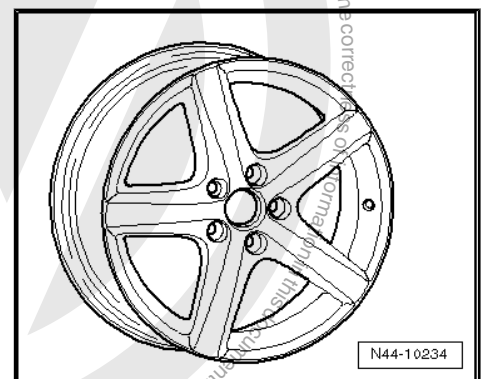


**39.5.4 7 1/2 J x 17**

**⚠ Caution**  
*Observe the allocation of wheels and tyres to the respective engines, which are listed in the overview table ⇒ page 368 .*

**3C0 601 025 AQ - Wheel and tyre combination ⇒ page 369**

Size:	7 1/2 J x 17
Wheel offset in mm:	47
Wheel load in kg:	650





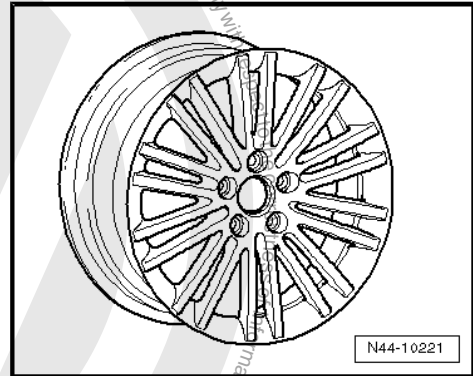
**3C0 601 025 BB - Wheel and tyre combination ⇒ page 369**

Size:	7 <sup>1</sup> / <sub>2</sub> J x 17
Wheel offset in mm:	47
Wheel load in kg:	650



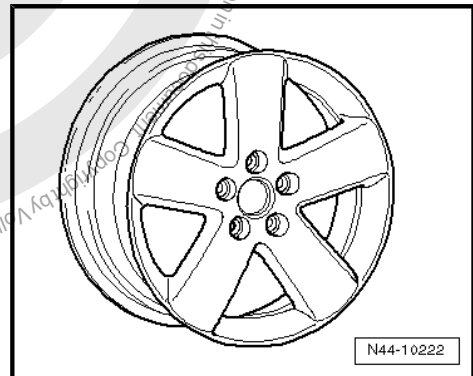
**3C0 601 025 D - Wheel and tyre combination ⇒ page 369**

Size:	7 <sup>1</sup> / <sub>2</sub> J x 17
Wheel offset in mm:	47
Wheel load in kg:	650



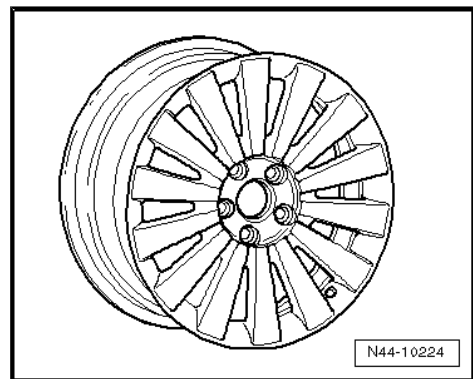
**3C0 601 025 E - Wheel and tyre combination ⇒ page 369**

Size:	7 <sup>1</sup> / <sub>2</sub> J x 17
Wheel offset in mm:	47
Wheel load in kg:	650



**3C0 601 025 G - Wheel and tyre combination ⇒ page 369**

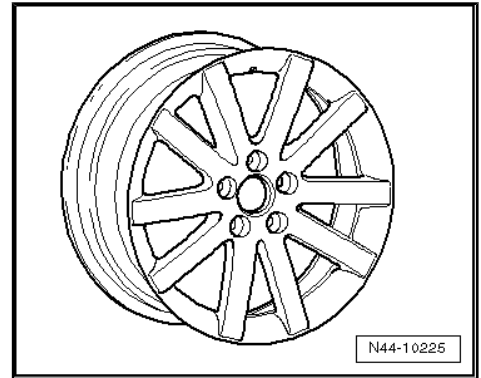
Size:	7 <sup>1</sup> / <sub>2</sub> J x 17
Wheel offset in mm:	47
Wheel load in kg:	650





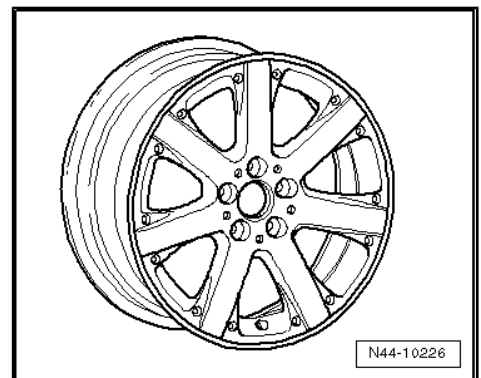
**3C0 601 025 J - Wheel and tyre combination ⇒ page 369**

Size:	7 <sup>1</sup> / <sub>2</sub> J x 17
Wheel offset in mm:	47
Wheel load in kg:	650



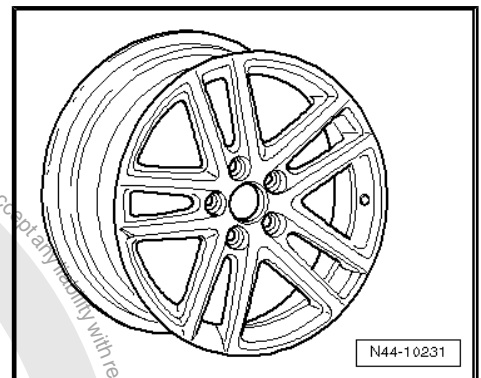
**3C0 601 025 K - Wheel and tyre combination ⇒ page 369**

Size:	7 <sup>1</sup> / <sub>2</sub> J x 17
Wheel offset in mm:	47
Wheel load in kg:	650



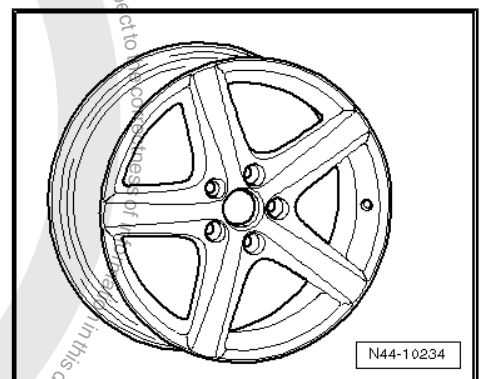
**3C0 601 025 R - Wheel and tyre combination ⇒ page 369**

Size:	7 <sup>1</sup> / <sub>2</sub> J x 17
Wheel offset in mm:	47
Wheel load in kg:	650



**3C0 601 025 S - Wheel and tyre combination ⇒ page 369**

Size:	7 <sup>1</sup> / <sub>2</sub> J x 17
Wheel offset in mm:	47
Wheel load in kg:	650

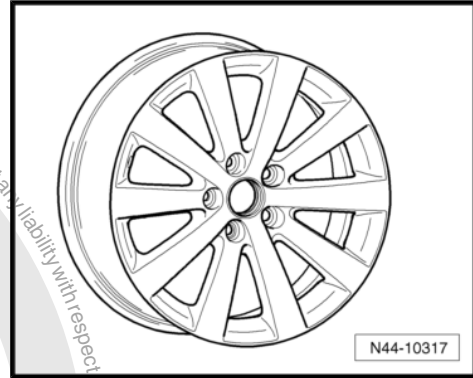


Protected by copyright. Copying for private or commercial purposes in part or in whole, is not permitted unless authorised by Volkswagen AG. Volkswagen AG does not guarantee or accept any liability with respect to the correctness of the information in this document. Copyright by Volkswagen AG.



**3C0 601 025 AJ - Wheel and tyre combination ⇒ page 369**

Size:	7 <sup>1</sup> / <sub>2</sub> J x 17
Wheel offset in mm:	47
Wheel load in kg:	650



**39.5.5 8 J x 18**



**Caution**

**Observe the allocation of wheels and tyres to the respective engines, which are listed in the overview table ⇒ page 368 .**



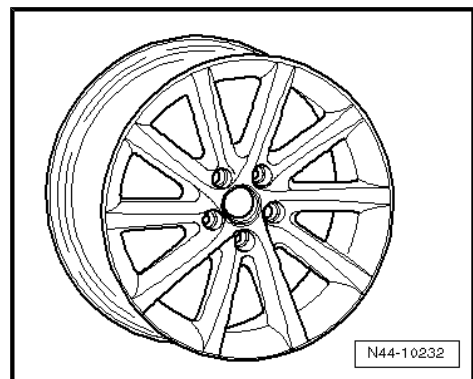
**Caution**

**8 J x 18 wheels can only be fitted under the following conditions:**

- **The vehicle must have either a sports running gear with approx. 15 mm lowered suspension equipped with spring travel limiters or spring travel limiters with Vortex part number 000.071.501/A must be fitted on front and rear axles. In both cases the rear axle camber must be set to -1°45'.**
- **Widened wheel housings (FLAPS) ⇒ page 4 must additionally be installed ⇒ Electronic Parts Catalogue „ETKA“, with the exception of Germany - here, the widened wheel housings (FLAPS) can be omitted with TÜV certificate No. 2174/05.**

**3C0 601 025 AA - Wheel and tyre combination ⇒ page 369**

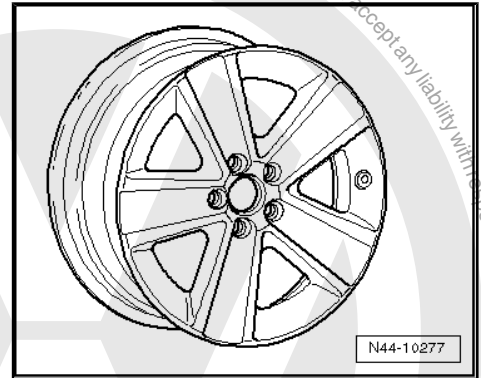
Size:	8 J x 18
Wheel offset in mm:	44
Wheel load in kg:	650





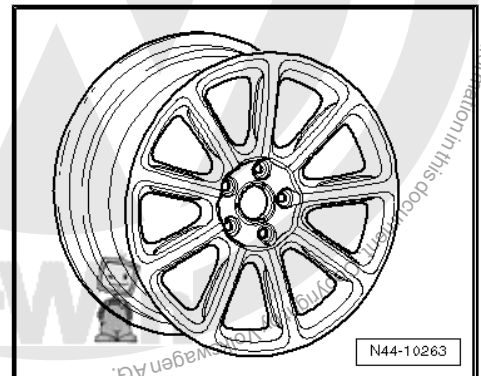
**3C0 601 025 AB, 3C0 601 025 AP - Wheel and tyre combination**  
⇒ [page 369](#)

Size:	8 J x 18
Wheel offset in mm:	44
Wheel load in kg:	650



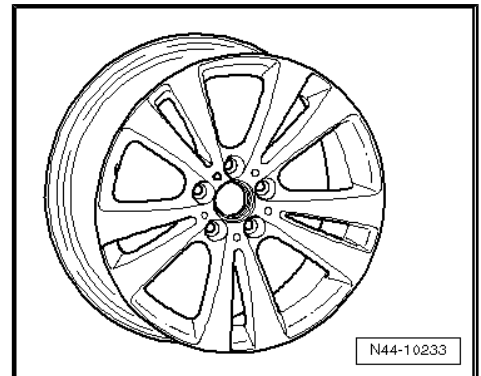
**3C0 601 025 AC - Wheel and tyre combination** ⇒ [page 369](#)

Size:	8 J x 18
Wheel offset in mm:	44
Wheel load in kg:	650



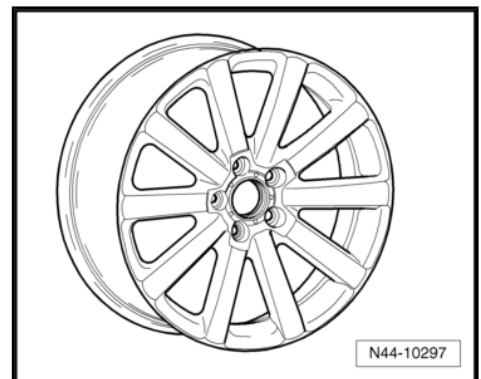
**3C0 601 025 T, 3C0 601 025 AN - Wheel and tyre combination**  
⇒ [page 369](#)

Size:	8 J x 18
Wheel offset in mm:	44
Wheel load in kg:	650



**3C0 601 025 AG - Wheel and tyre combination** ⇒ [page 369](#)

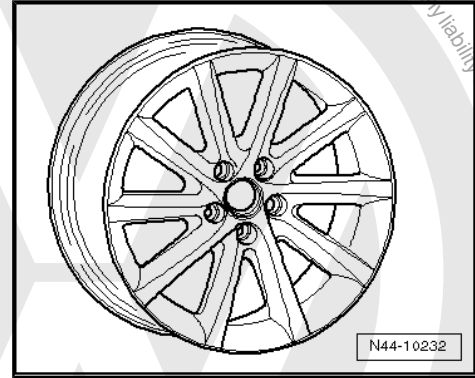
Size:	8 J x 18
Wheel offset in mm:	44
Wheel load in kg:	650





**3C0 601 025 BA - Wheel and tyre combination ⇒ [page 369](#)**

Size:	8 J x 18
Wheel offset in mm:	44
Wheel load in kg:	650



Protected by copyright. Copying for private or commercial purposes, in part or in whole, is not permitted. Volkswagen AG does not guarantee or accept any liability with respect to the correctness of information in this document. Copyright by Volkswagen AG.






## 40 Passat saloon BlueMotion from model year 2008

### General

Volkswagen vehicles are built according to the latest findings in safety engineering. To keep it that way, we recommend the use of only genuine Volkswagen spare parts. You can recognise this by the VW Audi logo and by the part number. It has been established that these parts are reliable, safe and suitable.

Despite constant appraisal of the market, we cannot assess other products on these points, even when in isolated cases they have been passed by official inspectors or have been granted official approval. Therefore, we cannot, of course, assume any liability if these products are installed.




**WARNING**

*The products from Volkswagen genuine parts and Votex genuine accessories may differ in fitting requirements, torque specifications and so on.*

*Always follow the respective fitting and operating instructions.*

The wheel and tyre combinations or changes listed in the vehicle tables refer exclusively to Volkswagen Genuine wheels. Approval of wheel and tyre combinations or a change to wheels from the accessories trade is not possible with the certificate statement attached here.



**WARNING**

*The fitting instructions and torque specifications for wheels from Votex genuine accessories may differ from those intended for wheels from Volkswagen genuine parts.*

*Therefore, always observe the torque settings for the wheel bolts as well as the respective fitting and operating instructions.*

### 40.1 Passat saloon BlueMotion, type 3C model year 2008 to model year 2009

Appendix to certificate statement 8106807121

The certificate statement can be found on the Volkswagen ServiceNet under Accessories/Tyres, Wheels and Tyres, Wheels and Tyres Guide.

Type approval number: e1\*2001/116\*0307\*13 to e1\*2001/116\*0307\*19

#### Overview

Model engine output	Tyres	Tyre size	Wheel rim	Off-set in mm	Snow chains	Remarks
1.9l 77 kW TDI; diesel engine	Standard tyres	205/55 R 16 91H	6 <sup>1</sup> / <sub>2</sub> J x 16 ⇒ <a href="#">page 400</a>	42	Yes	General information on: ◆ Winter tyres ⇒ <a href="#">page 14</a> ◆ Snow chains ⇒ <a href="#">page 17</a>



Model engine output	Tyres	Tyre size	Wheel rim	Off-set in mm	Snow chains	Remarks	
	Modification	205/55 R 16 91H/V	7 J x 16 ⇒ <a href="#">page 400</a>	45	No	Tyre makes recommended by Volkswagen: ♦ Summer tyres ⇒ <a href="#">page 513</a> ♦ All-season tyres ⇒ <a href="#">page 525</a> ♦ Winter tyres ⇒ <a href="#">page 537</a>	
	Winter tyres	205/55 R 16 91H/V	6 <sup>1</sup> / <sub>2</sub> J x 16 ⇒ <a href="#">page 400</a>	42	Yes		
2.0l 81 kW TDI diesel engine	Standard tyres	205/55 R 16 91H	6 <sup>1</sup> / <sub>2</sub> J x 16 ⇒ <a href="#">page 400</a>	42	Yes	♦ * 235/40 R 18 95 Y tyres on 8 J x 18 rims with an offset of 44 are only per- mitted if the specified conditions ⇒ <a href="#">page 405</a> are fulfilled! ♦ 235/40 R 18 95W tyres on 8 J x 18 rims with an offset of 44 may be used instead of 235/40 R 18 95Y tyres on 8 J x 18 rims with an offset of 44. Observe authorisation by Kraftfahrt-Bunde- samtes (German road traffic au- thority) „Authori- sation of 95W tyres for Passat“. This is located on the Volkswagen ServiceNet under Accessories/ Tyres, Wheels and Tyres, Wheels and Tyres Guide.	
		Modification	205/55 R 16 91H/V	7 J x 16 ⇒ <a href="#">page 400</a>	45		No
			205/50 R 17 93H/V	6 J x 17 ⇒ <a href="#">page 401</a>	45		Yes
			235/45 R 17 94H/V	7 <sup>1</sup> / <sub>2</sub> J x 17 ⇒ <a href="#">page 402</a>	47		No
			235/40 R 18 95Y* ⇒ <a href="#">page 398</a>	8 J x 18 ⇒ <a href="#">page 404</a>	44		No
	Winter tyres		205/55 R 16 91H/V	6 <sup>1</sup> / <sub>2</sub> J x 16 ⇒ <a href="#">page 400</a>	42		Yes
		205/50 R 17 93H/V	6 J x 17 ⇒ <a href="#">page 401</a>	45	Yes		

Tyre inflation pressures are located on a sticker in fuel tank flap or in ⇒ Maintenance ; Booklet ; Check tyres: condition, profile, inflation pressure, depth of tread .





## 40.2 Passat saloon BlueMotion, type 3C model year 2010 to model year 2011

Appendix to certificate statement 8106807121

The certificate statement can be found on the Volkswagen ServiceNet under Accessories/Tyres, Wheels and Tyres, Wheels and Tyres Guide.

Type Approval No.: e1\*2001/116\*0307\*20 to e1\*2001/116\*0307\*23

### Overview

Model engine output	Tyres	Tyre size	Wheel rim	Off-set in mm	Snow chains	Remarks
1.4l 90 kW petrol engine  1.6l 77 kW TDI; 2.0l 81 kW TDI; 2.0l 103 kW TDI diesel engine	Standard tyres	205/55 R 16 91H	6 <sup>1</sup> / <sub>2</sub> J x 16 ⇒ <a href="#">page 400</a>	42	Yes	General information on: ◆ Winter tyres ⇒ <a href="#">page 14</a> ◆ Snow chains ⇒ <a href="#">page 17</a>
	Modification	205/55 R 16 91H/V	7 J x 16 ⇒ <a href="#">page 400</a>	45	No	Tyre makes recommended by Volkswagen:  ◆ Summer tyres ⇒ <a href="#">page 513</a> ◆ All-season tyres ⇒ <a href="#">page 525</a> ◆ Winter tyres ⇒ <a href="#">page 537</a>
		205/50 R 17 93H/V	6 J x 17 ⇒ <a href="#">page 401</a>	45	Yes	
		235/45 R 17 94H/V	7 <sup>1</sup> / <sub>2</sub> J x 17 ⇒ <a href="#">page 402</a>	47	No	
		235/40 R 18 95W* ⇒ <a href="#">page 399</a>	8 J x 18 ⇒ <a href="#">page 404</a>	44	No	
	Winter tyres	205/55 R 16 91H/V	6 <sup>1</sup> / <sub>2</sub> J x 16 ⇒ <a href="#">page 400</a>	42	Yes	◆ * 235/40 R 18 95 Y tyres on 8 J x 18 rims with an offset of 44 are only permitted if the specified conditions ⇒ <a href="#">page 405</a> are fulfilled!
		205/50 R 17 93H/V	6 J x 17 ⇒ <a href="#">page 401</a>	45	Yes	

Tyre inflation pressures are located on a sticker in fuel tank flap or in ⇒ Maintenance ; Booklet ; Check tyres: condition, profile, inflation pressure, depth of tread .

## 40.3 Wheel allocation for Passat saloon BlueMotion, type 3C model year 2008 to model year 2011

Explanation of information on wheels ⇒ [page 58](#)

Torque settings for wheel bolts ⇒ Running gear, axles, steering;  
Rep. gr. 44 ; Torque settings for fitting wheels



Pitch circle diameter: 112 mm  
Number of wheel bolt holes: 5

### 40.3.1 6<sup>1</sup>/<sub>2</sub> J x 16

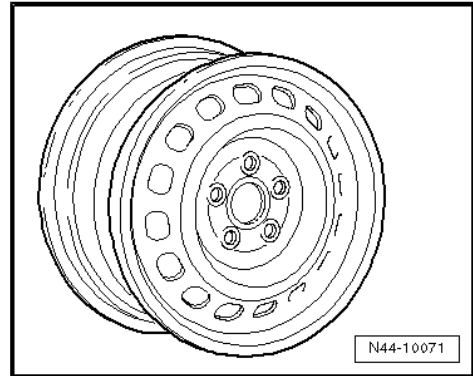


#### Caution

*Observe the allocation of wheels and tyres to the respective engines, which are listed in the overview table ⇒ [page 397](#).*

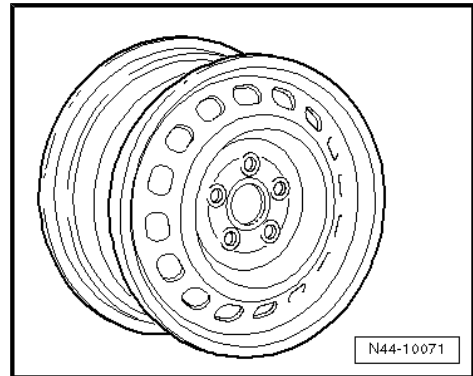
#### 3C0 601 027 H - Wheel and tyre combination ⇒ [page 397](#)

Size:	6 <sup>1</sup> / <sub>2</sub> J x 16
Wheel offset in mm:	42
Wheel load in kg:	650



#### 3C0 601,027 AA - Wheel and tyre combination ⇒ [page 397](#)

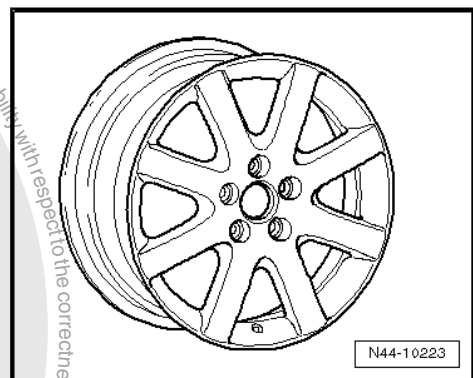
Size:	6 <sup>1</sup> / <sub>2</sub> J x 16
Wheel offset in mm:	42
Wheel load in kg:	650



#### Winter wheel

#### 3C0 601 025 F - Wheel and tyre combination ⇒ [page 397](#)

Size:	6 <sup>1</sup> / <sub>2</sub> J x 16
Wheel offset in mm:	42
Wheel load in kg:	650



### 40.3.2 7 J x 16



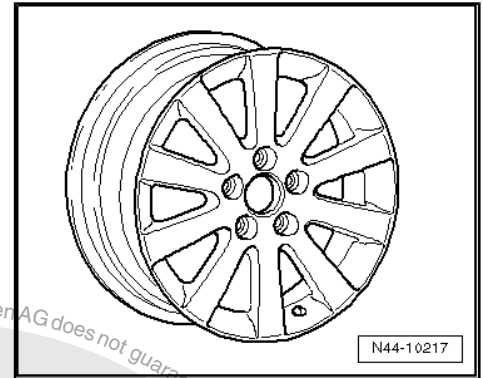
#### Caution

*Observe the allocation of wheels and tyres to the respective engines, which are listed in the overview table ⇒ [page 397](#).*



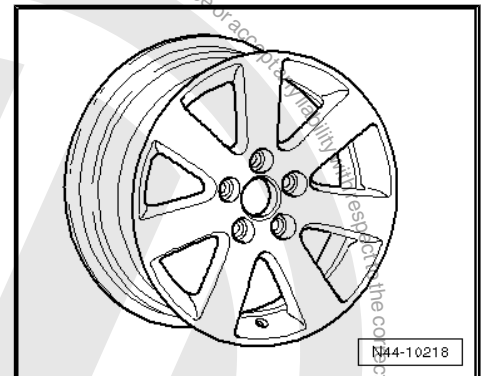
**3C0 601 025, 3C0 601 025 AD - Wheel and tyre combination**  
⇒ [page 398](#)

Size:	7 J x 16
Wheel offset in mm:	45
Wheel load in kg:	650



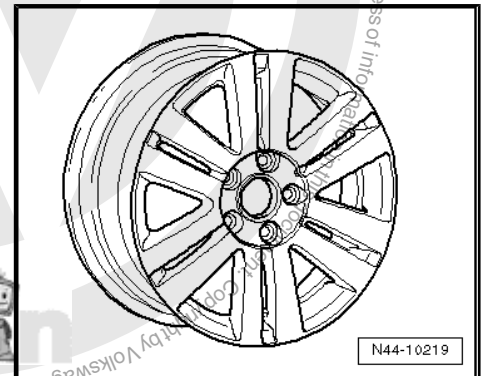
**3C0 601 025 A - Wheel and tyre combination** ⇒ [page 398](#)

Size:	7 J x 16
Wheel offset in mm:	45
Wheel load in kg:	650



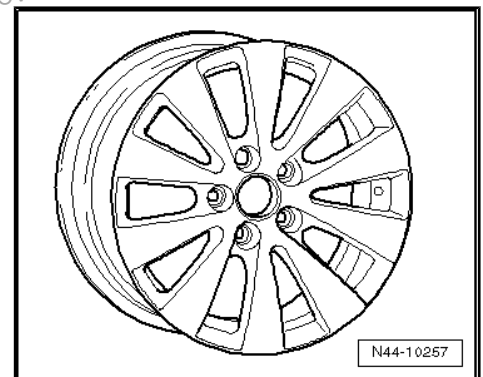
**3C0 601 025 B - Wheel and tyre combination** ⇒ [page 398](#)

Size:	7 J x 16
Wheel offset in mm:	45
Wheel load in kg:	650



**3C0 601 025 C - Wheel and tyre combination** ⇒ [page 398](#)

Size:	7 J x 16 EH2 ⇒ <a href="#">page 58</a>
Wheel offset in mm:	45
Wheel load in kg:	650



**40.3.3 6 J x 17**



**Caution**

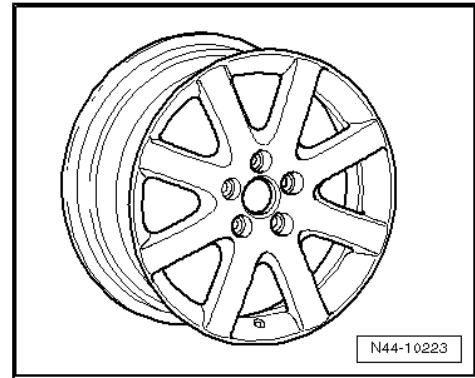
*Observe the allocation of wheels and tyres to the respective engines, which are listed in the overview table ⇒ [page 397](#).*



## Winter wheel

### 3C0 601 025 M - Wheel and tyre combination ⇒ [page 398](#)

Size:	6 J x 17
Wheel offset in mm:	45
Wheel load in kg:	650



### 40.3.4 7<sup>1</sup>/<sub>2</sub> J x 17

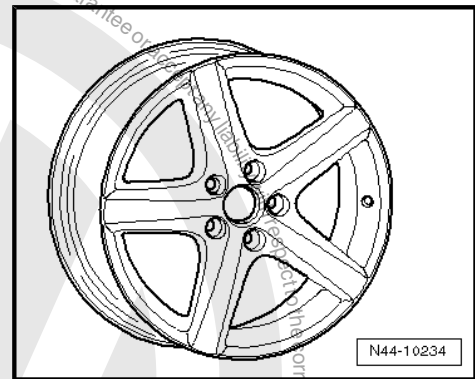


#### Caution

Observe the allocation of wheels and tyres to the respective engines, which are listed in the overview table ⇒ [page 397](#)

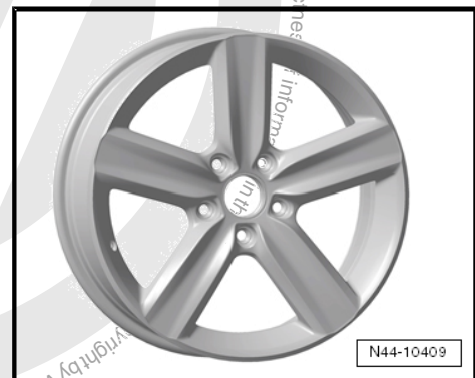
### 3C0 601 025 AQ - Wheel and tyre combination ⇒ [page 398](#)

Size:	7 <sup>1</sup> / <sub>2</sub> J x 17
Wheel offset in mm:	47
Wheel load in kg:	650



### 3C0 601 025 BB - Wheel and tyre combination ⇒ [page 398](#)

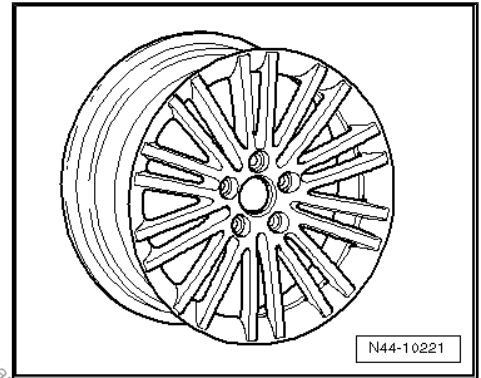
Size:	7 <sup>1</sup> / <sub>2</sub> J x 17
Wheel offset in mm:	47
Wheel load in kg:	650





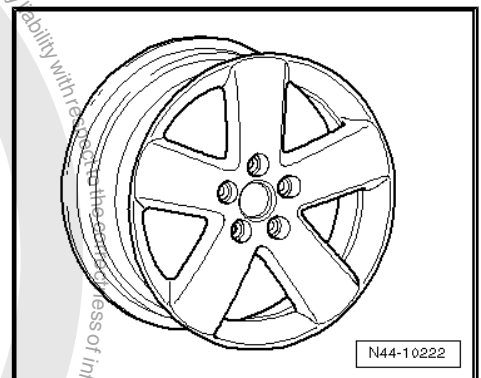
**3C0 601 025 D - Wheel and tyre combination ⇒ page 398**

Size:	7 <sup>1</sup> / <sub>2</sub> J x 17
Wheel offset in mm:	47
Wheel load in kg:	650



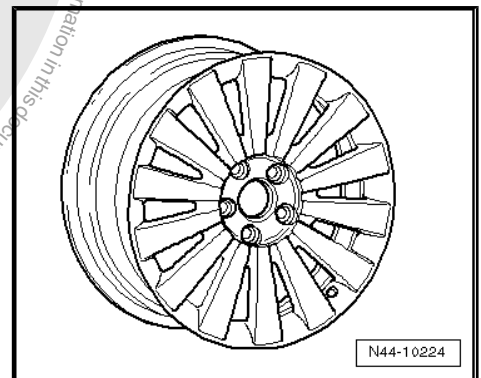
**3C0 601 025 E - Wheel and tyre combination ⇒ page 398**

Size:	7 <sup>1</sup> / <sub>2</sub> J x 17
Wheel offset in mm:	47
Wheel load in kg:	650



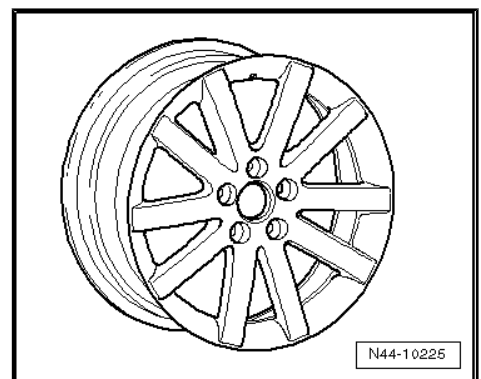
**3C0 601 025 G - Wheel and tyre combination ⇒ page 398**

Size:	7 <sup>1</sup> / <sub>2</sub> J x 17
Wheel offset in mm:	47
Wheel load in kg:	650



**3C0 601 025 J - Wheel and tyre combination ⇒ page 398**

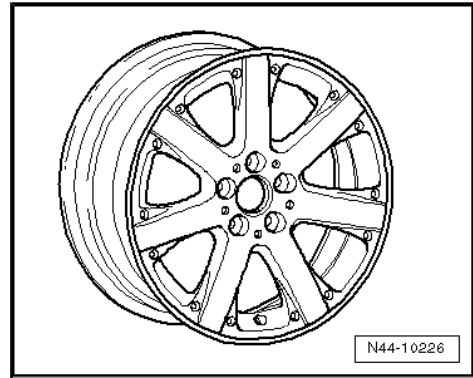
Size:	7 <sup>1</sup> / <sub>2</sub> J x 17
Wheel offset in mm:	47
Wheel load in kg:	650





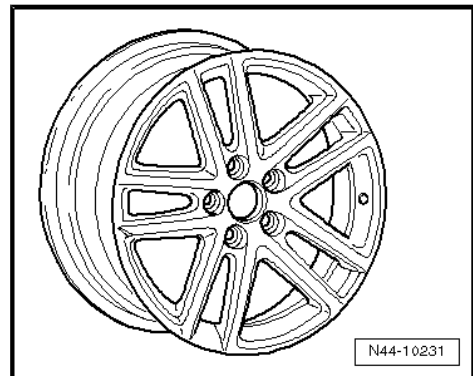
**3C0 601 025 K - Wheel and tyre combination ⇒ page 398**

Size:	7 <sup>1</sup> / <sub>2</sub> J x 17
Wheel offset in mm:	47
Wheel load in kg:	650



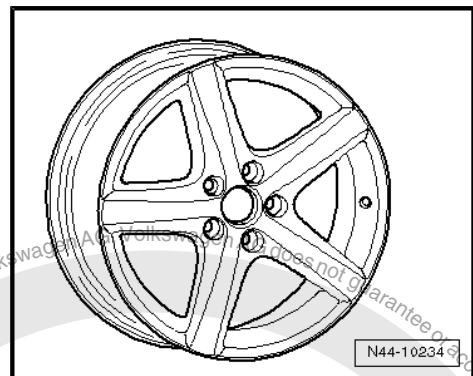
**3C0 601 025 R - Wheel and tyre combination ⇒ page 398**

Size:	7 <sup>1</sup> / <sub>2</sub> J x 17
Wheel offset in mm:	47
Wheel load in kg:	650



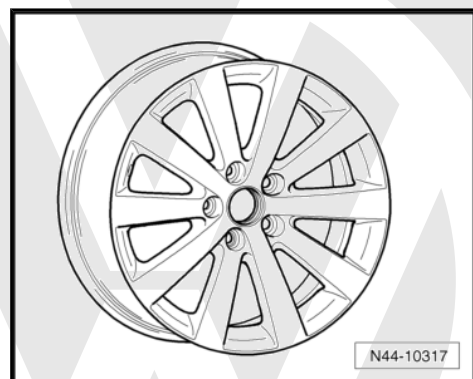
**3C0 601 025 S - Wheel and tyre combination ⇒ page 398**

Size:	7 <sup>1</sup> / <sub>2</sub> J x 17
Wheel offset in mm:	47
Wheel load in kg:	650



**3C0 601 025 AJ - Wheel and tyre combination ⇒ page 398**

Size:	7 <sup>1</sup> / <sub>2</sub> J x 17
Wheel offset in mm:	47
Wheel load in kg:	650



**40.3.5 8 J x 18**



**Caution**

*Observe the allocation of wheels and tyres to the respective engines, which are listed in the overview table ⇒ page 397.*



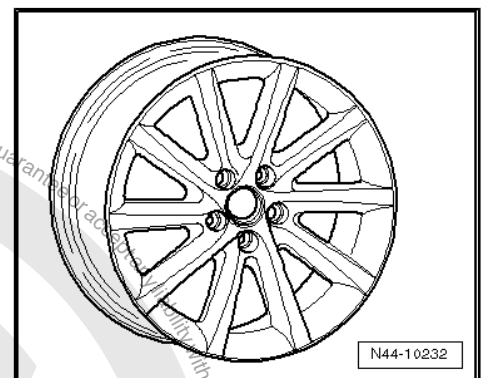
**Caution**

**8 J x 18 wheels can only be fitted under the following conditions:**

- *The vehicle must have either a sports running gear with approx. 15 mm lowered suspension equipped with spring travel limiters or spring travel limiters with Votex part number 000.071.501/A must be fitted on front and rear axles. In both cases the rear axle camber must be set to -1°45'.*
- *Widened wheel housings (FLAPS) ⇒ [page 4](#) must additionally be installed ⇒ Electronic Parts Catalogue „ETKA“, with the exception of Germany - here, the widened wheel housings (FLAPS) can be omitted with TÜV certificate No. 2174/05.*

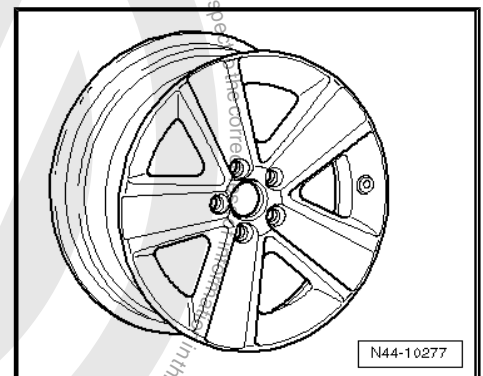
**3C0 601 025 AA - Wheel and tyre combination ⇒ [page 398](#)**

Size:	8 J x 18
Wheel offset in mm:	44
Wheel load in kg:	650



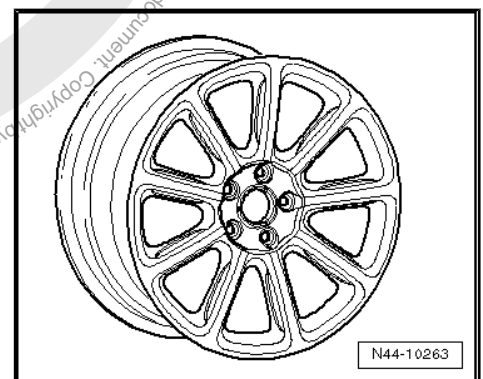
**3C0 601 025 AB, 3C0 601 025 AP - Wheel and tyre combination ⇒ [page 398](#)**

Size:	8 J x 18
Wheel offset in mm:	44
Wheel load in kg:	650



**3C0 601 025 AC - Wheel and tyre combination ⇒ [page 398](#)**

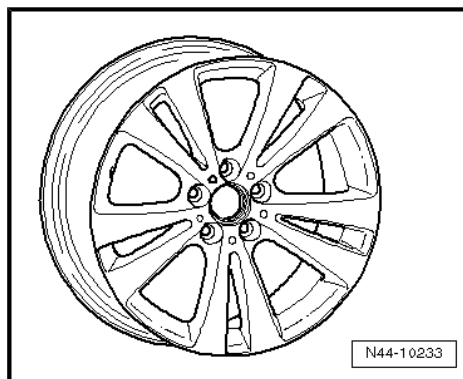
Size:	8 J x 18
Wheel offset in mm:	44
Wheel load in kg:	650





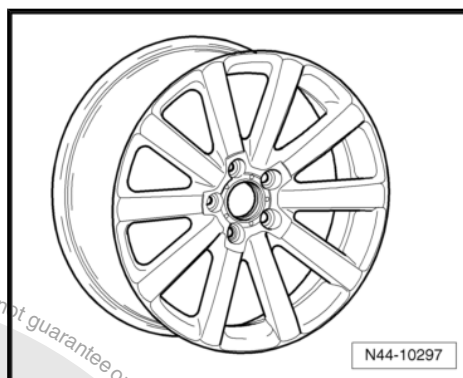
**3C0 601 025 T, 3C0 601 025 AN - Wheel and tyre combination**  
⇒ [page 398](#)

Size:	8 J x 18
Wheel offset in mm:	44
Wheel load in kg:	650



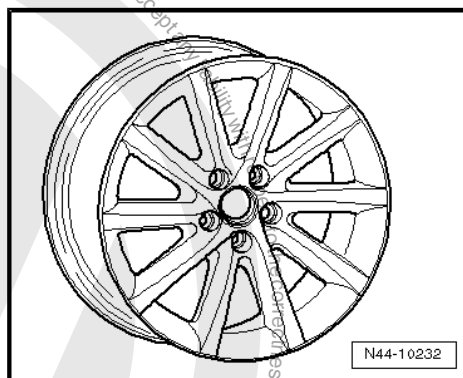
**3C0 601 025 AG - Wheel and tyre combination** ⇒ [page 398](#)

Size:	8 J x 18
Wheel offset in mm:	44
Wheel load in kg:	650



**3C0 601 025 BA - Wheel and tyre combination** ⇒ [page 398](#)

Size:	8 J x 18
Wheel offset in mm:	44
Wheel load in kg:	650








## 41 Passat Variant from model year 2006

### General

Volkswagen vehicles are built according to the latest findings in safety engineering. To keep it that way, we recommend the use of only genuine Volkswagen spare parts. You can recognise this by the VW/Audi logo and by the part number. It has been established that these parts are reliable, safe and suitable.

Despite constant appraisal of the market, we cannot assess other products on these points, even when in isolated cases they have been passed by official inspectors or have been granted official approval. Therefore, we cannot, of course, assume any liability if these products are installed.




**WARNING**

*The products from Volkswagen genuine parts and Votex genuine accessories may differ in fitting requirements, torque specifications and so on.*

*Always follow the respective fitting and operating instructions.*

The wheel and tyre combinations or changes listed in the vehicle tables refer exclusively to Volkswagen Genuine wheels. Approval of wheel and tyre combinations or a change to wheels from the accessories trade is not possible with the certificate statement attached here.



**WARNING**

*The fitting instructions and torque specifications for wheels from Votex genuine accessories may differ from those intended for wheels from Volkswagen genuine parts.*

*Therefore, always observe the torque settings for the wheel bolts as well as the respective fitting and operating instructions.*

### 41.1 Passat Variant, type 3C model year 2006

Appendix to certificate statement 8106807121

The certificate statement can be found on the Volkswagen ServiceNet under Accessories/Tyres, Wheels and Tyres, Wheels and Tyres Guide.

Type Approval No.: e1\*2001/116\*0307\*00 to e1\*2001/116\*0307\*09

#### Overview

Model engine output	Tyres	Tyre size	Wheel rim	Off-set in mm	Snow chains	Remarks
1.6l 75 kW; 1.6l 85 kW petrol engines;	Standard tyres	205/55 R 16 91H	6 1/2 J x 16 ⇒ <a href="#">page 426</a>	42	Yes	General information on: ◆ Winter tyres ⇒ <a href="#">page 14</a> ◆ Snow chains ⇒ <a href="#">page 17</a>
1.9l 77 kW TDI; 2.0l 88 kW TDI; 2.0l 90 kW TDI diesel engines	Modification	215/55 R 16 93H	6 1/2 J x 16 ⇒ <a href="#">page 426</a>	42	No	



Model engine output	Tyres	Tyre size	Wheel rim	Off-set in mm	Snow chains	Remarks
		205/55 R 16 91H	7 J x 16 ⇒ <a href="#">page 427</a>	45	No	<p>Tyre makes recommended by Volkswagen:</p> <ul style="list-style-type: none"> <li>◆ Summer tyres ⇒ <a href="#">page 514</a></li> <li>◆ All-season tyres ⇒ <a href="#">page 525</a></li> <li>◆ Winter tyres ⇒ <a href="#">page 538</a></li> </ul> <p>* 235/40 R 18 95 Y tyres on 8 J x 18 rims with an offset of 44 are only permitted if the specified conditions ⇒ <a href="#">page 432</a> are fulfilled!</p> <ul style="list-style-type: none"> <li>◆ 235/40 R 18 95W tyres on 8 J x 18 rims with an offset of 44 may be used instead of 235/40 R 18 95Y tyres on 8 J x 18 rims with an offset of 44. Observe authorisation by Kraftfahrt-Bundesamt (German road traffic authority) „Authorisation of 95W tyres for Passat“. This is located on the Volkswagen ServiceNet under Accessories/ Tyres, Wheels and Tyres, Wheels and Tyres Guide.</li> </ul>
		215/55 R 16 93H	7 J x 16 ⇒ <a href="#">page 427</a>	45	No	
		235/45 R 17 94V	7 <sup>1</sup> / <sub>2</sub> J x 17 ⇒ <a href="#">page 429</a>	47	No	
		235/40 R 18 95Y* ⇒ <a href="#">page 408</a>	8 J x 18 ⇒ <a href="#">page 431</a>	44	No	
	Winter tyres	205/55 R 16 91H/V	6 <sup>1</sup> / <sub>2</sub> J x 16 ⇒ <a href="#">page 426</a>	42	Yes	
	205/50 R 17 93H/V	6 J x 17 ⇒ <a href="#">page 428</a>	45	Yes		
2.0l 110 kW petrol engine	Standard tyres	205/55 R 16 91V	6 <sup>1</sup> / <sub>2</sub> J x 16 ⇒ <a href="#">page 426</a>	42	Yes	
	Modification	215/55 R 16 93V	6 <sup>1</sup> / <sub>2</sub> J x 16 ⇒ <a href="#">page 426</a>	42	No	
		205/55 R 16 91V	7 J x 16 ⇒ <a href="#">page 427</a>	45	No	
		215/55 R 16 93V	7 J x 16 ⇒ <a href="#">page 427</a>	45	No	



Model engine output	Tyres	Tyre size	Wheel rim	Off-set in mm	Snow chains	Remarks
		235/45 R 17 94V	7 <sup>1</sup> / <sub>2</sub> J x 17 ⇒ <a href="#">page 429</a>	47	No	
		235/40 R 18 95Y* ⇒ <a href="#">page 408</a>	8 J x 18 ⇒ <a href="#">page 431</a>	44	No	
	Winter tyres	205/55 R 16 91H/V	6 <sup>1</sup> / <sub>2</sub> J x 16 ⇒ <a href="#">page 426</a>	42	Yes	
		205/50 R 17 93H/V	6 J x 17 ⇒ <a href="#">page 428</a>	45	Yes	
2.0l 100 kW TDI 2.0l 103 kW TDI 2.0l 120 kW TDI 2.0l 125 kW TDI diesel engines	Standard tyres	205/55 R 16 94V	6 <sup>1</sup> / <sub>2</sub> J x 16 ⇒ <a href="#">page 426</a>	42	Yes	Vehicles with the 100/103/120/125 kW TDI engine that have the load index LI 94 entered in the vehicle documents (205/55 R16 94V), may also be fitted with winter tyres with load index LI 91 (205/55 R 16 91H). To do this, the „approval certificate and permit for submission to the registration authority“ have to be kept in the vehicle (in Germany) with inspection report no. 1423/07.
	Modification	215/55 R 16 93V	6 <sup>1</sup> / <sub>2</sub> J x 16 ⇒ <a href="#">page 426</a>	42	No	
		205/55 R 16 94V	7 J x 16 ⇒ <a href="#">page 427</a>	45	No	
	Winter tyres	215/55 R 16 93V	7 J x 16 ⇒ <a href="#">page 427</a>	45	No	
		235/45 R 17 94V	7 <sup>1</sup> / <sub>2</sub> J x 17 ⇒ <a href="#">page 429</a>	47	No	
		235/40 R 18 95Y* ⇒ <a href="#">page 408</a>	8 J x 18 ⇒ <a href="#">page 431</a>	44	No	
		205/55 R 16 91H/V	6 <sup>1</sup> / <sub>2</sub> J x 16 ⇒ <a href="#">page 426</a>	42	Yes	
		205/50 R 17 93H/V	6 J x 17 ⇒ <a href="#">page 428</a>	45	Yes	
2.0l 147 kW petrol engine	Standard tyres	205/55 R 16 91W	6 <sup>1</sup> / <sub>2</sub> J x 16 ⇒ <a href="#">page 426</a>	42	Yes	
	Modification	215/55 R 16 93W	6 <sup>1</sup> / <sub>2</sub> J x 16 ⇒ <a href="#">page 426</a>	42	No	
		215/55 R 16 93W	7 J x 16 ⇒ <a href="#">page 427</a>	45	No	
		235/45 R 17 94W	7 <sup>1</sup> / <sub>2</sub> J x 17 ⇒ <a href="#">page 429</a>	47	No	
		235/40 R 18 95Y* ⇒ <a href="#">page 408</a>	8 J x 18 ⇒ <a href="#">page 431</a>	44	No	



Model engine output	Tyres	Tyre size	Wheel rim	Off-set in mm	Snow chains	Remarks
	Winter tyres	205/55 R 16 91H/V	6 <sup>1</sup> / <sub>2</sub> J x 16 ⇒ <a href="#">page 426</a>	42	Yes	
		205/50 R 17 93H/V	6 J x 17 ⇒ <a href="#">page 428</a>	45	Yes	
3.2l 184 kW petrol engine	Standard tyres	235/45 R 17 94W	7 <sup>1</sup> / <sub>2</sub> J x 17 ⇒ <a href="#">page 429</a>	47	No	
	Modification	235/40 R 18 95Y* ⇒ <a href="#">page 408</a>	8 J x 18 ⇒ <a href="#">page 431</a>	44	No	
	Winter tyres	205/50 R 17 93H/V	6 J x 17 ⇒ <a href="#">page 428</a>	45	Yes	

Tyre inflation pressures are located on a sticker in fuel tank flap or in ⇒ Maintenance ; Booklet ; Check tyres: condition, profile, inflation pressure, depth of tread .

## 41.2 Passat Variant, type 3C model year 2007 to model year 2008



### Caution

Observe wheel and tyre combinations for vehicles as of type approval number: e1\*2001/116\*0307\*13 ⇒ [page 414](#) .

Appendix to certificate statement 8106807121

The certificate statement can be found on the Volkswagen ServiceNet under Accessories/Tyres, Wheels and Tyres, Wheels and Tyres Guide.

Type Approval No.: e1\*2001/116\*0307\*10 to e1\*2001/116\*0307\*12

### Overview

Model engine output	Tyres	Tyre size	Wheel rim	Off-set in mm	Snow chains	Remarks
1.6l 75 kW; 1.6l 85 kW petrol engines;  1.9l 77 kW TDI; diesel engines	Standard tyres	205/55 R 16 91H	6 <sup>1</sup> / <sub>2</sub> J x 16 ⇒ <a href="#">page 426</a>	42	Yes	General information on: ◆ Winter tyres ⇒ <a href="#">page 14</a> ◆ Snow chains ⇒ <a href="#">page 17</a>
	Modification	215/55 R 16 93H/V	6 <sup>1</sup> / <sub>2</sub> J x 16 ⇒ <a href="#">page 426</a>	42	No	
2.0l 110 kW petrol engine, 4MOTION		205/55 R 16 91H/V	7 J x 16 ⇒ <a href="#">page 427</a>	45	No	



Model engine output	Tyres	Tyre size	Wheel rim	Off-set in mm	Snow chains	Remarks
2.0l 110 kW petrol engine with automatic gear-box		215/55 R 16 93H/V	7 J x 16 ⇒ <a href="#">page 427</a>	45	No	<ul style="list-style-type: none"> <li>◆ Summer tyres ⇒ <a href="#">page 512</a></li> <li>◆ All-season tyres ⇒ <a href="#">page 525</a></li> <li>◆ Winter tyres ⇒ <a href="#">page 537</a></li> </ul>
		235/45 R 17 94H/V	7 1/2 J x 17 ⇒ <a href="#">page 429</a>	47	No	
		235/40 R 18 95Y* ⇒ <a href="#">page 411</a>	8 J x 18 ⇒ <a href="#">page 431</a>	44	No	
	Winter tyres	205/55 R 16 91H/V	6 1/2 J x 16 ⇒ <a href="#">page 426</a>	42	Yes	<ul style="list-style-type: none"> <li>◆ * 235/40 R 18 95 Y tyres on 8 J x 18 rims with an offset of 44 are only permitted if the specified conditions ⇒ <a href="#">page 432</a> are fulfilled!</li> <li>◆ 235/40 R 18 95W tyres on 8 J x 18 rims with an offset of 44 may be used instead of 235/40 R 18 95Y tyres on 8 J x 18 rims with an offset of 44. Observe authorisation by Kraftfahrt-Bundesamt (German road traffic authority) „Authorisation of 95W tyres for Passat“. This is located on the Volkswagen ServiceNet under Accessories/ Tyres, Wheels and Tyres, Wheels and Tyres Guide.</li> </ul>
		205/50 R 17 93H/V	6 J x 17 ⇒ <a href="#">page 428</a>	45	Yes	
2.0l, 110 kW petrol engine with manual gearbox	Standard tyres	205/55 R 16 91V	6 1/2 J x 16 ⇒ <a href="#">page 426</a>	42	Yes	
	Modification	215/55 R 16 93V	6 1/2 J x 16 ⇒ <a href="#">page 426</a>	42	No	
		205/55 R 16 91V	7 J x 16 ⇒ <a href="#">page 427</a>	45	No	
		215/55 R 16 93V	7 J x 16 ⇒ <a href="#">page 427</a>	45	No	
		235/45 R 17 94V	7 1/2 J x 17 ⇒ <a href="#">page 429</a>	47	No	



Model engine output	Tyres	Tyre size	Wheel rim	Off-set in mm	Snow chains	Remarks
		235/40 R 18 95Y* ⇒ <a href="#">page 411</a>	8 J x 18 ⇒ <a href="#">page 431</a>	44	No	
	Winter tyres	205/55 R 16 91H/V	6 <sup>1</sup> / <sub>2</sub> J x 16 ⇒ <a href="#">page 426</a>	42	Yes	
		205/50 R 17 93H/V	6 J x 17 ⇒ <a href="#">page 428</a>	45	Yes	
2.0l 100 kW TDI diesel engine	Standard tyres	205/55 R 16 94H	6 <sup>1</sup> / <sub>2</sub> J x 16 ⇒ <a href="#">page 426</a>	42	Yes	Vehicles with the 100/103 kW TDI engine that have the load index LI 94 entered in the vehicle documents (205/55 R16 94V), may also be fitted with winter tyres with load index LI 91 (205/55 R 16 91H). To do this, the „approval certificate and permit for submission to the registration authority“ have to be kept in the vehicle (in Germany) with inspection report no. 1423/07.
2.0l 103 kW TDI diesel engine	Modification	215/55 R 16 93H/V	6 <sup>1</sup> / <sub>2</sub> J x 16 ⇒ <a href="#">page 426</a>	42	No	
		205/55 R 16 94H/V	7 J x 16 ⇒ <a href="#">page 427</a>	45	No	
		215/55 R 16 93H/V	7 J x 16 ⇒ <a href="#">page 427</a>	45	No	
		235/45 R 17 94H/V	7 <sup>1</sup> / <sub>2</sub> J x 17 ⇒ <a href="#">page 429</a>	47	No	
		235/40 R 18 95Y* ⇒ <a href="#">page 411</a>	8 J x 18 ⇒ <a href="#">page 431</a>	44	No	
	Winter tyres	205/55 R 16 91H/V	6 <sup>1</sup> / <sub>2</sub> J x 16 ⇒ <a href="#">page 426</a>	42	Yes	
		205/50 R 17 93H/V	6 J x 17 ⇒ <a href="#">page 428</a>	45	Yes	
2.0l 120 kW TDI 2.0l 125 kW TDI diesel engines	Standard tyres	205/55 R 16 94V	6 <sup>1</sup> / <sub>2</sub> J x 16 ⇒ <a href="#">page 426</a>	42	Yes	Vehicles with the 120/125 kW TDI engine that have the load index LI 94 entered in the vehicle documents (205/55 R16 94V), may also be fitted with winter tyres with load index LI 91 (205/55 R 16 91H). To do this, the „approval certificate and permit for submission to the registration authority“ have to be kept in the vehicle (in Germany) with inspection report no. 1423/07.
	Modification	215/55 R 16 93V	6 <sup>1</sup> / <sub>2</sub> J x 16 ⇒ <a href="#">page 426</a>	42	No	
		205/55 R 16 94V	7 J x 16 ⇒ <a href="#">page 427</a>	45	No	
		215/55 R 16 93V	7 J x 16 ⇒ <a href="#">page 427</a>	45	No	
		235/45 R 17 94V	7 <sup>1</sup> / <sub>2</sub> J x 17 ⇒ <a href="#">page 429</a>	47	No	



Model engine output	Tyres	Tyre size	Wheel rim	Off-set in mm	Snow chains	Remarks
		235/40 R 18 95Y* ⇒ <a href="#">page 411</a>	8 J x 18 ⇒ <a href="#">page 431</a>	44	No	
	Winter tyres	205/55 R 16 91H/V	6 <sup>1</sup> / <sub>2</sub> J x 16 ⇒ <a href="#">page 426</a>	42	Yes	
		205/50 R 17 93H/V	6 J x 17 ⇒ <a href="#">page 428</a>	45	Yes	
2.0l 147 kW petrol engine	Standard tyres	205/55 R 16 91W	6 <sup>1</sup> / <sub>2</sub> J x 16 ⇒ <a href="#">page 426</a>	42	Yes	
	Modification	215/55 R 16 93W	6 <sup>1</sup> / <sub>2</sub> J x 16 ⇒ <a href="#">page 426</a>	42	No	
		215/55 R 16 93W	7 J x 16 ⇒ <a href="#">page 427</a>	45	No	
		235/45 R 17 94W	7 <sup>1</sup> / <sub>2</sub> J x 17 ⇒ <a href="#">page 429</a>	47	No	
		235/40 R 18 95Y* ⇒ <a href="#">page 411</a>	8 J x 18 ⇒ <a href="#">page 431</a>	44	No	
	Winter tyres	205/55 R 16 91H/V	6 <sup>1</sup> / <sub>2</sub> J x 16 ⇒ <a href="#">page 426</a>	42	Yes	
		205/50 R 17 93H/V	6 J x 17 ⇒ <a href="#">page 428</a>	45	Yes	
3.2l 184 kW petrol engine	Standard tyres	235/45 R 17 94W	7 <sup>1</sup> / <sub>2</sub> J x 17 ⇒ <a href="#">page 429</a>	47	No	
	Modification	235/40 R 18 95Y* ⇒ <a href="#">page 411</a>	8 J x 18 ⇒ <a href="#">page 431</a>	44	No	
	Winter tyres	205/50 R 17 93H/V	6 J x 17 ⇒ <a href="#">page 428</a>	45	Yes	

Tyre inflation pressures are located on a sticker in fuel tank flap or in ⇒ Maintenance ; Booklet ; Check tyres: condition, profile, inflation pressure, depth of tread .

Appendix to certificate statement 8106807121

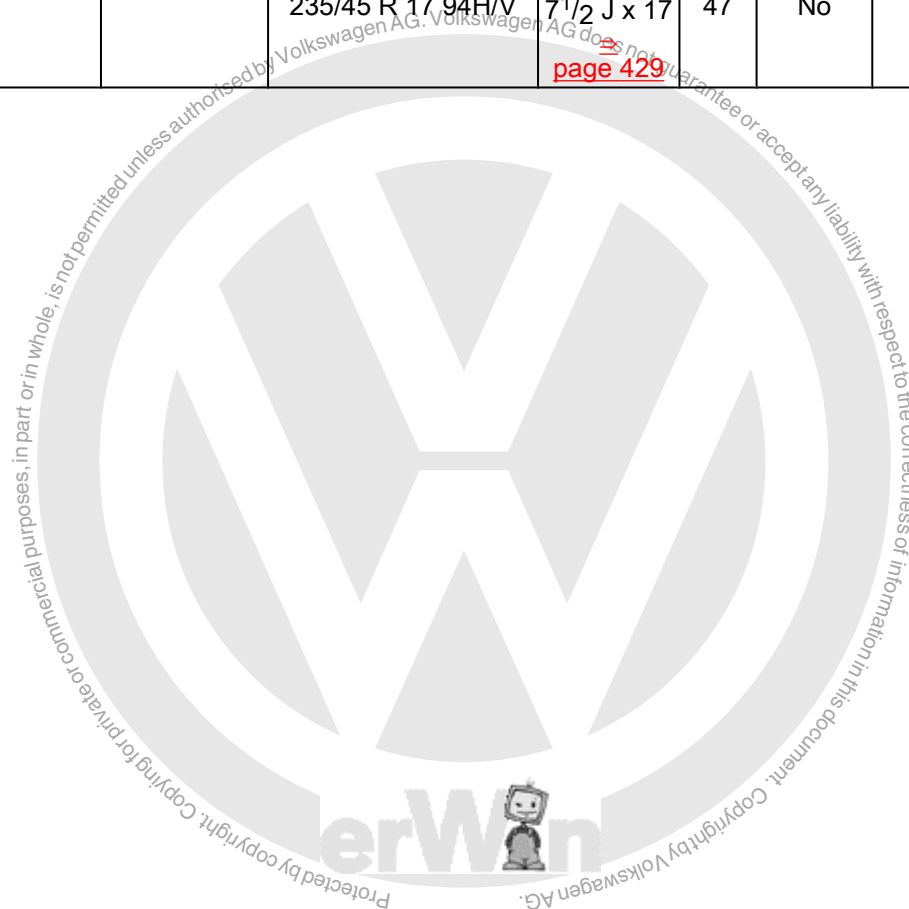
The certificate statement can be found on the Volkswagen ServiceNet under Accessories/Tyres, Wheels and Tyres, Wheels and Tyres Guide.



Type Approval No.: e1\*2001/116\*0307\*13 to  
e1\*2001/116\*0307\*14

Overview

Model engine output	Tyres	Tyre size	Wheel rim	Off-set in mm	Snow chains	Remarks
1.6l 75 kW; 1.6l 85 kW 1.4l 90 kW petrol engines;  1.9l 77 kW TDI; 2.0l 100 kW TDI; 2.0l 103 kW TDI; diesel engines  2.0l 110 kW petrol engine, 4MOTION  2.0l 110 kW petrol engine with automatic gear- box	Standard tyres	205/55 R 16 91H	6 <sup>1</sup> / <sub>2</sub> J x 16 ⇒ <a href="#">page 426</a>	42	Yes	General information on: ♦ Winter tyres ⇒ <a href="#">page 14</a>  ♦ Snow chains ⇒ <a href="#">page 17</a>  Tyre makes recom- mended by Volkswa- gen: ♦ Summer tyres ⇒ <a href="#">page 512</a> ♦ All-season tyres ⇒ <a href="#">page 525</a> ♦ Winter tyres ⇒ <a href="#">page 537</a>
	Modification	215/55 R 16 93H/V	6 <sup>1</sup> / <sub>2</sub> J x 16 ⇒ <a href="#">page 426</a>	42	No	
		205/55 R 16 91H/V	7 J x 16 ⇒ <a href="#">page 427</a>	45	No	
		215/55 R 16 93H/V	7 J x 16 ⇒ <a href="#">page 427</a>	45	No	
		235/45 R 17 94H/V	7 <sup>1</sup> / <sub>2</sub> J x 17 ⇒ <a href="#">page 429</a>	47	No	








Model engine output	Tyres	Tyre size	Wheel rim	Off-set in mm	Snow chains	Remarks
		235/40 R 18 95Y* ⇒ <a href="#">page 415</a>	8 J x 18 ⇒ <a href="#">page 431</a>	44	No	<ul style="list-style-type: none"> <li>◆ * 235/40 R 18 95 Y tyres on 8 J x 18 rims with an offset of 44 are only permitted if the specified conditions ⇒ <a href="#">page 432</a> are fulfilled!</li> <li>◆ 235/40 R 18 95W tyres on 8 J x 18 rims with an offset of 44 may be used instead of 235/40 R 18 95Y tyres on 8 J x 18 rims with an offset of 44. Observe authorisation by Kraftfahrt-Bundesamt (German road traffic authority) „Authorisation of 95W tyres for Passat“. This is located on the Volkswagen ServiceNet under Accessories/ Tyres, Wheels and Tyres, Wheels and Tyres Guide.</li> </ul>
	Winter tyres	205/55 R 16 91H/V	6 1/2 J x 16 ⇒ <a href="#">page 426</a>	42	Yes	
		205/50 R 17 93H/V	6 J x 17 ⇒ <a href="#">page 428</a>	45	Yes	
2.0l, 110 kW petrol engine with manual gearbox	Standard tyres	205/55 R 16 91V	6 1/2 J x 16 ⇒ <a href="#">page 426</a>	42	Yes	
1.8 l 118 kW petrol engine	Modification	215/55 R 16 93V	6 1/2 J x 16 ⇒ <a href="#">page 426</a>	42	No	
2.0l 120 kW TDI 2.0l 125 kW TDI diesel engines		205/55 R 16 91V	7 J x 16 ⇒ <a href="#">page 427</a>	45	No	
		215/55 R 16 93V	7 J x 16 ⇒ <a href="#">page 427</a>	45	No	
		235/45 R 17 94V	7 1/2 J x 17 ⇒ <a href="#">page 429</a>	47	No	
		235/40 R 18 95Y* ⇒ <a href="#">page 415</a>	8 J x 18 ⇒ <a href="#">page 431</a>	44	No	
Winter tyres		205/55 R 16 91H/V	6 1/2 J x 16 ⇒ <a href="#">page 426</a>	42	Yes	
	205/50 R 17 93H/V	6 J x 17 ⇒ <a href="#">page 428</a>	45	Yes		



Model engine output	Tyres	Tyre size	Wheel rim	Off-set in mm	Snow chains	Remarks
2.0l 147 kW petrol engine	Standard tyres	205/55 R 16 91W	6 1/2 J x 16 ⇒ <a href="#">page 426</a>	42	Yes	
	Modification	215/55 R 16 93W	6 1/2 J x 16 ⇒ <a href="#">page 426</a>	42	No	
		215/55 R 16 93W	7 J x 16 ⇒ <a href="#">page 427</a>	45	No	
		235/45 R 17 94W	7 1/2 J x 17 ⇒ <a href="#">page 429</a>	47	No	
		235/40 R 18 95Y* ⇒ <a href="#">page 415</a>	8 J x 18 ⇒ <a href="#">page 431</a>	44	No	
	Winter tyres	205/55 R 16 91H/V	6 1/2 J x 16 ⇒ <a href="#">page 426</a>	42	Yes	
		205/50 R 17 93H/V	6 J x 17 ⇒ <a href="#">page 428</a>	45	Yes	
3.2l 184 kW petrol engine	Standard tyres	235/45 R 17 94W	7 1/2 J x 17 ⇒ <a href="#">page 429</a>	47	No	
	Modification	235/40 R 18 95Y* ⇒ <a href="#">page 415</a>	8 J x 18 ⇒ <a href="#">page 431</a>	44	No	
	Winter tyres	205/50 R 17 93H/V	6 J x 17 ⇒ <a href="#">page 428</a>	45	Yes	

Tyre inflation pressures are located on a sticker in fuel tank flap or in ⇒ Maintenance ; Booklet ; Check tyres: condition, profile, inflation pressure, depth of tread .

### 41.3 Passat Variant, type 3C model year 2009

	<p><b>Caution</b></p> <p><i>Observe wheel and tyre combinations for vehicles as of type approval number: e1*2001/116*0307*19 ⇒ <a href="#">page 420</a> .</i></p>
---	---

Appendix to certificate statement 8106807121

The certificate statement can be found on the Volkswagen ServiceNet under Accessories/Tyres, Wheels and Tyres, Wheels and Tyres Guide.



Type Approval No.: e1\*2001/116\*0307\*15 to  
e1\*2001/116\*0307\*18

Overview

Model engine output	Tyres	Tyre size	Wheel rim	Off-set in mm	Snow chains	Remarks
1.6l 75 kW; 1.6l 85 kW 1.4l 90 kW petrol engines;  1.9l 77 kW TDI; 2.0l 81 kW TDI; 2.0l 100 kW TDI; 2.0l 103 kW TDI diesel engines  2.0l 110 kW petrol engine, 4MOTION  2.0l 110 kW petrol engine with automatic gear- box	Standard tyres	205/55 R 16 91H	6 <sup>1</sup> / <sub>2</sub> J x 16 ⇒ <a href="#">page 426</a>	42	Yes	General information on: ♦ Winter tyres ⇒ <a href="#">page 14</a> ♦ Snow chains ⇒ <a href="#">page 17</a>  Tyre makes recom- mended by Volkswa- gen: ♦ Summer tyres ⇒ <a href="#">page 512</a> ♦ All-season tyres ⇒ <a href="#">page 525</a> ♦ Winter tyres ⇒ <a href="#">page 537</a>
	Modification	215/55 R 16 93H/V	6 <sup>1</sup> / <sub>2</sub> J x 16 ⇒ <a href="#">page 426</a>	42	No	
		205/55 R 16 91H/V	7 J x 16 ⇒ <a href="#">page 427</a>	45	No	
		215/55 R 16 93H/V	7 J x 16 ⇒ <a href="#">page 427</a>	45	No	
		235/45 R 17 94H/V	7 <sup>1</sup> / <sub>2</sub> J x 17 ⇒ <a href="#">page 429</a>	47	No	



Model engine output	Tyres	Tyre size	Wheel rim	Off-set in mm	Snow chains	Remarks
		235/40 R 18 95Y* ⇒ <a href="#">page 418</a>	8 J x 18 ⇒ <a href="#">page 431</a>	44	No	<ul style="list-style-type: none"> <li>◆ * 235/40 R 18 95 Y tyres on 8 J x 18 rims with an offset of 44 are only per- mitted if the specified conditions ⇒ <a href="#">page 432</a> are fulfilled!</li> <li>◆ 235/40 R 18 95W tyres on 8 J x 18 rims with an offset of 44 may be used instead of 235/40 R 18 95Y tyres on 8 J x 18 rims with an offset of 44. Observe authorisation by Kraftfahrt-Bunde- samtes (German road traffic au- thority) „Authori- sation of 95W tyres for Passat“. This is located on the Volkswagen ServiceNet under Accessories/ Tyres, Wheels and Tyres, Wheels and Tyres Guide.</li> </ul>
	Winter tyres	205/55 R 16 91H/V	6 <sup>1</sup> / <sub>2</sub> J x 16 ⇒ <a href="#">page 426</a>	42	Yes	
		205/50 R 17 93H/V	6 J x 17 ⇒ <a href="#">page 428</a>	45	Yes	
2.0l 105 kW TDI diesel engine	Standard tyres	205/55 R 16 91H	6 <sup>1</sup> / <sub>2</sub> J x 16 ⇒ <a href="#">page 426</a>	42	Yes	
	Modification	205/55 R 16 91H/V	7 J x 16 ⇒ <a href="#">page 427</a>	45	No	
		205/50 R 17 93H/V	6 J x 17 ⇒ <a href="#">page 428</a>	45	Yes	
		235/45 R 17 94H/V	7 <sup>1</sup> / <sub>2</sub> J x 17 ⇒ <a href="#">page 429</a>	47	No	
		235/40 R 18 95Y* ⇒ <a href="#">page 418</a>	8 J x 18 ⇒ <a href="#">page 431</a>	44	No	
	Winter tyres	205/55 R 16 91H/V	6 <sup>1</sup> / <sub>2</sub> J x 16 ⇒ <a href="#">page 426</a>	42	Yes	
		205/50 R 17 93H/V	6 J x 17 ⇒ <a href="#">page 428</a>	45	Yes	
1.4l 110 kW EcoFuel	Standard tyres	205/55 R 16 91V	6 <sup>1</sup> / <sub>2</sub> J x 16 ⇒ <a href="#">page 426</a>	42	Yes	



Model engine output	Tyres	Tyre size	Wheel rim	Off-set in mm	Snow chains	Remarks	
	Modification	205/55 R 16 91V	7 J x 16 ⇒ <a href="#">page 427</a>	45	No		
		205/50 R 17 93V	6 J x 17 ⇒ <a href="#">page 428</a>	45	Yes		
		235/45 R 17 94V	7 1/2 J x 17 ⇒ <a href="#">page 429</a>	47	No		
	Winter tyres	205/55 R 16 91H/V	6 1/2 J x 16 ⇒ <a href="#">page 426</a>	42	Yes		
		205/50 R 17 93H/V	6 J x 17 ⇒ <a href="#">page 428</a>	45	Yes		
		205/55 R 16 91V	6 1/2 J x 16 ⇒ <a href="#">page 426</a>	42	Yes		
2.0l, 110 kW petrol engine with manual gearbox  1.8 l 118 kW petrol engine  2.0l 120 kW TDI 2.0l 125 kW TDI diesel engines	Standard tyres	215/55 R 16 93V	6 1/2 J x 16 ⇒ <a href="#">page 426</a>	42	No		
		205/55 R 16 91V	7 J x 16 ⇒ <a href="#">page 427</a>	45	No		
		215/55 R 16 93V	7 J x 16 ⇒ <a href="#">page 427</a>	45	No		
		235/45 R 17 94V	7 1/2 J x 17 ⇒ <a href="#">page 429</a>	47	No		
		235/40 R 18 95Y* ⇒ <a href="#">page 418</a>	8 J x 18 ⇒ <a href="#">page 431</a>	44	No		
		Winter tyres	205/55 R 16 91H/V	6 1/2 J x 16 ⇒ <a href="#">page 426</a>	42	Yes	
			205/50 R 17 93H/V	6 J x 17 ⇒ <a href="#">page 428</a>	45	Yes	
		2.0l 147 kW petrol engine	Standard tyres	215/55 R 16 93W	6 1/2 J x 16 ⇒ <a href="#">page 426</a>	42	No
				205/55 R 16 91V	7 J x 16 ⇒ <a href="#">page 427</a>	45	No
				215/55 R 16 93W	7 J x 16 ⇒ <a href="#">page 427</a>	45	No
235/45 R 17 94W	7 1/2 J x 17 ⇒ <a href="#">page 429</a>			47	No		
Modification	205/55 R 16 91V			7 J x 16 ⇒ <a href="#">page 427</a>	45	No	
	215/55 R 16 93W			7 J x 16 ⇒ <a href="#">page 427</a>	45	No	



Model engine output	Tyres	Tyre size	Wheel rim	Off-set in mm	Snow chains	Remarks
		235/40 R 18 95Y* ⇒ <a href="#">page 418</a>	8 J x 18 ⇒ <a href="#">page 431</a>	44	No	
	Winter tyres	205/55 R 16 91H/V	6 <sup>1</sup> / <sub>2</sub> J x 16 ⇒ <a href="#">page 426</a>	42	Yes	
		205/50 R 17 93H/V	6 J x 17 ⇒ <a href="#">page 428</a>	45	Yes	
3.2l 184 kW petrol engine	Standard tyres	235/45 R 17 94W	7 <sup>1</sup> / <sub>2</sub> J x 17 ⇒ <a href="#">page 429</a>	47	No	
	Modification	235/40 R 18 95Y* ⇒ <a href="#">page 418</a>	8 J x 18 ⇒ <a href="#">page 431</a>	44	No	
	Winter tyres	205/50 R 17 93H/V	6 J x 17 ⇒ <a href="#">page 428</a>	45	Yes	

Tyre inflation pressures are located on a sticker in fuel tank flap or in ⇒ Maintenance ; Booklet ; Check tyres: condition, profile, inflation pressure, depth of tread .

#### Appendix to certificate statement 8106807121

The certificate statement can be found on the Volkswagen ServiceNet under Accessories/Tyres, Wheels and Tyres, Wheels and Tyres Guide.

**Type Approval No.: e1\*2001/116\*0307\*19**

#### Overview

Model engine output	Tyres	Tyre size	Wheel rim	Off-set in mm	Snow chains	Remarks
1.6l 75 kW; 1.4l 90 kW petrol engines;	Standard tyres	205/55 R 16 91H	6 <sup>1</sup> / <sub>2</sub> J x 16 ⇒ <a href="#">page 426</a>	42	Yes	
	Modification	215/55 R 16 93H/V	6 <sup>1</sup> / <sub>2</sub> J x 16 ⇒ <a href="#">page 426</a>	42	No	General information on: ◆ Winter tyres ⇒ <a href="#">page 14</a> ◆ Snow chains ⇒ <a href="#">page 17</a>
2.0l 81 kW TDI; 2.0l 100 kW TDI; 2.0l 103 kW TDI diesel engines		205/55 R 16 91H/V	7 J x 16 ⇒ <a href="#">page 427</a>	45	No	Tyre makes recommended by Volkswagen: ◆ Summer tyres ⇒ <a href="#">page 512</a> ◆ All-season tyres ⇒ <a href="#">page 525</a> ◆ Winter tyres ⇒ <a href="#">page 537</a>
		215/55 R 16 93H/V	7 J x 16 ⇒ <a href="#">page 427</a>	45	No	
2.0l 110 kW petrol engine, 4MOTION						



Model engine output	Tyres	Tyre size	Wheel rim	Off-set in mm	Snow chains	Remarks	
		235/45 R 17 94H/V	7½ J x 17 ⇒ <a href="#">page 429</a>	47	No	<ul style="list-style-type: none"> <li>◆ * 235/40 R 18 95 Y tyres on 8 J x 18 rims with an offset of 44 are only permitted if the specified conditions ⇒ <a href="#">page 432</a> are fulfilled!</li> <li>◆ 235/40 R 18 95W tyres on 8 J x 18 rims with an offset of 44 may be used instead of 235/40 R 18 95Y tyres on 8 J x 18 rims with an offset of 44. Observe authorisation by Kraftfahrt-Bundesamt (German road traffic authority) „Authorisation of 95W tyres for Passat“. This is located on the Volkswagen ServiceNet under Accessories/ Tyres, Wheels and Tyres, Wheels and Tyres Guide.</li> </ul>	
		235/40 R 18 95Y* ⇒ <a href="#">page 421</a>	8 J x 18 ⇒ <a href="#">page 431</a>	44	No		
	Winter tyres	205/55 R 16 91H/V	6½ J x 16 ⇒ <a href="#">page 426</a>	42	Yes		
		205/50 R 17 93H/V	6 J x 17 ⇒ <a href="#">page 428</a>	45	Yes		
	2.0l 105 kW TDI diesel engine	Standard tyres	205/55 R 16 91H	6½ J x 16 ⇒ <a href="#">page 426</a>	42		Yes
		Modification	205/55 R 16 91H/V	7 J x 16 ⇒ <a href="#">page 427</a>	45		No
			205/50 R 17 93H/V	6 J x 17 ⇒ <a href="#">page 428</a>	45		Yes
		Winter tyres	205/55 R 16 91H/V	6½ J x 16 ⇒ <a href="#">page 426</a>	42		Yes
		205/50 R 17 93H/V	6 J x 17 ⇒ <a href="#">page 428</a>	45	Yes		



Model engine output	Tyres	Tyre size	Wheel rim	Off-set in mm	Snow chains	Remarks	
1.4l 110 kW EcoFuel	Standard tyres	205/55 R 16 91H	6 <sup>1</sup> / <sub>2</sub> J x 16 ⇒ <a href="#">page 426</a>	42	Yes		
	Modification	205/55 R 16 91H	7 J x 16 ⇒ <a href="#">page 427</a>	45	No		
		205/50 R 17 93H	6 J x 17 ⇒ <a href="#">page 428</a>	45	Yes		
		235/45 R 17 94H/V	7 <sup>1</sup> / <sub>2</sub> J x 17 ⇒ <a href="#">page 429</a>	47	No		
	Winter tyres	205/55 R 16 91H/V	6 <sup>1</sup> / <sub>2</sub> J x 16 ⇒ <a href="#">page 426</a>	42	Yes		
		205/50 R 17 93H/V	6 J x 17 ⇒ <a href="#">page 428</a>	45	Yes		
1.8l 118 kW petrol engine 2.0l 125 kW TDI diesel engines	Standard tyres	205/55 R 16 91V	6 <sup>1</sup> / <sub>2</sub> J x 16 ⇒ <a href="#">page 426</a>	42	Yes		
	Modification	215/55 R 16 93V	6 <sup>1</sup> / <sub>2</sub> J x 16 ⇒ <a href="#">page 426</a>	42	No		
		205/55 R 16 91V	7 J x 16 ⇒ <a href="#">page 427</a>	45	No		
		215/55 R 16 93V	7 J x 16 ⇒ <a href="#">page 427</a>	45	No		
		235/45 R 17 94V	7 <sup>1</sup> / <sub>2</sub> J x 17 ⇒ <a href="#">page 429</a>	47	No		
		235/40 R 18 95Y* ⇒ <a href="#">page 421</a>	8 J x 18 ⇒ <a href="#">page 431</a>	44	No		
	Winter tyres	205/55 R 16 91H/V	6 <sup>1</sup> / <sub>2</sub> J x 16 ⇒ <a href="#">page 426</a>	42	Yes		
		205/50 R 17 93H/V	6 J x 17 ⇒ <a href="#">page 428</a>	45	Yes		
	2.0l 147 kW petrol engine	Standard tyres	205/55 R 16 91V	6 <sup>1</sup> / <sub>2</sub> J x 16 ⇒ <a href="#">page 426</a>	42	Yes	
		Modification	215/55 R 16 93W	6 <sup>1</sup> / <sub>2</sub> J x 16 ⇒ <a href="#">page 426</a>	42	No	
205/55 R 16 91V			7 J x 16 ⇒ <a href="#">page 427</a>	45	No		
215/55 R 16 93W			7 J x 16 ⇒ <a href="#">page 427</a>	45	No		





Model engine output	Tyres	Tyre size	Wheel rim	Off-set in mm	Snow chains	Remarks
		235/45 R 17 94W	7 <sup>1</sup> / <sub>2</sub> J x 17 ⇒ <a href="#">page 429</a>	47	No	
		235/40 R 18 95Y* ⇒ <a href="#">page 421</a>	8 J x 18 ⇒ <a href="#">page 431</a>	44	No	
	Winter tyres	205/55 R 16 91H/V	6 <sup>1</sup> / <sub>2</sub> J x 16 ⇒ <a href="#">page 426</a>	42	Yes	
		205/50 R 17 93H/V	6 J x 17 ⇒ <a href="#">page 428</a>	45	Yes	
3.2l 184 kW petrol engine	Standard tyres	235/45 R 17 94W	7 <sup>1</sup> / <sub>2</sub> J x 17 ⇒ <a href="#">page 429</a>	47	No	
	Modification	235/40 R 18 95Y* ⇒ <a href="#">page 421</a>	8 J x 18 ⇒ <a href="#">page 431</a>	44	No	
	Winter tyres	205/50 R 17 93H/V	6 J x 17 ⇒ <a href="#">page 428</a>	45	Yes	

Tyre inflation pressures are located on a sticker in fuel tank flap or in ⇒ Maintenance ; Booklet ; Check tyres: condition, profile, inflation pressure, depth of tread .

#### 41.4 Passat Variant, type 3C model year 2010 to model year 2011

Appendix to certificate statement 8106807121

The certificate statement can be found on the Volkswagen ServiceNet under Accessories/Tyres, Wheels and Tyres, Wheels and Tyres Guide.

Type Approval No.: e1\*2001/116\*0307\*20 to e1\*2001/116\*0307\*23

##### Overview

Model engine output	Tyres	Tyre size	Wheel rim	Off-set in mm	Snow chains	Remarks
1.6l 75 kW; 1.4l 90 kW petrol engines;  2.0l 81 kW TDI; 2.0l 100 kW TDI; 2.0l 103 kW TDI diesel engines	Standard tyres	205/55 R 16 91H	6 <sup>1</sup> / <sub>2</sub> J x 16 ⇒ <a href="#">page 426</a>	42	Yes	General information on: ◆ Winter tyres ⇒ <a href="#">page 14</a> ◆ Snow chains ⇒ <a href="#">page 17</a>
	Modification	215/55 R 16 93H/V	6 <sup>1</sup> / <sub>2</sub> J x 16 ⇒ <a href="#">page 426</a>	42	No	
2.0l 110 kW petrol engine, 4MOTION		205/55 R 16 91H/V	7 J x 16 ⇒ <a href="#">page 427</a>	45	No	



Model engine output	Tyres	Tyre size	Wheel rim	Off-set in mm	Snow chains	Remarks
		215/55 R 16 93H/V	7 J x 16 ⇒ <a href="#">page 427</a>	45	No	<ul style="list-style-type: none"> <li>◆ Summer tyres ⇒ <a href="#">page 512</a></li> <li>◆ All-season tyres ⇒ <a href="#">page 525</a></li> <li>◆ Winter tyres ⇒ <a href="#">page 537</a></li> </ul> <p>* 235/40 R 18 95W tyres on 8 J x 18 rims with an offset of 44 are only permitted if the specified conditions ⇒ <a href="#">page 432</a> are fulfilled!</p>
		235/45 R 17 94H/V	7 <sup>1</sup> / <sub>2</sub> J x 17 ⇒ <a href="#">page 429</a>	47	No	
		235/40 R 18 95W* ⇒ <a href="#">page 424</a>	8 J x 18 ⇒ <a href="#">page 431</a>	44	No	
	Winter tyres	205/55 R 16 91H/V	6 <sup>1</sup> / <sub>2</sub> J x 16 ⇒ <a href="#">page 426</a>	42	Yes	
		205/50 R 17 93H/V	6 J x 17 ⇒ <a href="#">page 428</a>	45	Yes	
2.0l 105 kW TDI diesel engine	Standard tyres	205/55 R 16 91H	6 <sup>1</sup> / <sub>2</sub> J x 16 ⇒ <a href="#">page 426</a>	42	Yes	<p>* 235/40 R 18 95W tyres on 8 J x 18 rims with an offset of 44 are only permitted if the specified conditions ⇒ <a href="#">page 432</a> are fulfilled!</p>
	Modification	205/55 R 16 91H/V	7 J x 16 ⇒ <a href="#">page 427</a>	45	No	
		205/50 R 17 93H/V	6 J x 17 ⇒ <a href="#">page 428</a>	45	Yes	
		235/45 R 17 94H/V	7 <sup>1</sup> / <sub>2</sub> J x 17 ⇒ <a href="#">page 429</a>	47	No	
		235/40 R 18 95W* ⇒ <a href="#">page 424</a>	8 J x 18 ⇒ <a href="#">page 431</a>	44	No	
	Winter tyres	205/55 R 16 91H/V	6 <sup>1</sup> / <sub>2</sub> J x 16 ⇒ <a href="#">page 426</a>	42	Yes	
205/50 R 17 93H/V		6 J x 17 ⇒ <a href="#">page 428</a>	45	Yes		
1.4l 110 kW EcoFuel	Standard tyres	205/55 R 16 91H	6 <sup>1</sup> / <sub>2</sub> J x 16 ⇒ <a href="#">page 426</a>	42	Yes	
	Modification	205/55 R 16 91H/V	7 J x 16 ⇒ <a href="#">page 427</a>	45	No	



Model engine output	Tyres	Tyre size	Wheel rim	Off-set in mm	Snow chains	Remarks
		205/50 R 17 93H/V	6 J x 17 ⇒ <a href="#">page 428</a>	45	Yes	
		235/45 R 17 94H/V	7 1/2 J x 17 ⇒ <a href="#">page 429</a>	47	No	
	Winter tyres	205/55 R 16 91H/V	6 1/2 J x 16 ⇒ <a href="#">page 426</a>	42	Yes	
		205/50 R 17 93H/V	6 J x 17 ⇒ <a href="#">page 428</a>	45	Yes	
1.8 l 118 kW petrol engine	Standard tyres	205/55 R 16 91V	6 1/2 J x 16 ⇒ <a href="#">page 426</a>	42	Yes	* 235/40 R 18 95W tyres on 8 J x 18 rims with an offset of 44 are only permitted if the specified conditions ⇒ <a href="#">page 432</a> are fulfilled!
2.0l 125 kW TDI diesel engines	Modification	215/55 R 16 93V	6 1/2 J x 16 ⇒ <a href="#">page 426</a>	42	No	
		205/55 R 16 91V	7 J x 16 ⇒ <a href="#">page 427</a>	45	No	
		215/55 R 16 93V	7 J x 16 ⇒ <a href="#">page 427</a>	45	No	
		235/45 R 17 94V	7 1/2 J x 17 ⇒ <a href="#">page 429</a>	47	No	
	235/40 R 18 95W* ⇒ <a href="#">page 425</a>	8 J x 18 ⇒ <a href="#">page 431</a>	44	No		
Winter tyres	205/55 R 16 91H/V	6 1/2 J x 16 ⇒ <a href="#">page 426</a>	42	Yes		
	205/50 R 17 93H/V	6 J x 17 ⇒ <a href="#">page 428</a>	45	Yes		
2.0l 147 kW petrol engine	Standard tyres	205/55 R 16 91V	6 1/2 J x 16 ⇒ <a href="#">page 426</a>	42	Yes	
Modification	215/55 R 16 93W	6 1/2 J x 16 ⇒ <a href="#">page 426</a>	42	No		
	205/55 R 16 91V	7 J x 16 ⇒ <a href="#">page 427</a>	45	No		
	215/55 R 16 93W	7 J x 16 ⇒ <a href="#">page 427</a>	45	No		
	235/45 R 17 94W	7 1/2 J x 17 ⇒ <a href="#">page 429</a>	47	No		



Model engine output	Tyres	Tyre size	Wheel rim	Off-set in mm	Snow chains	Remarks
		235/40 R 18 95W* ⇒ <a href="#">page 426</a>	8 J x 18 ⇒ <a href="#">page 431</a>	44	No	* 235/40 R 18 95W tyres on 8 J x 18 rims with an offset of 44 are only permitted if the specified conditions ⇒ <a href="#">page 432</a> are fulfilled!
	Winter tyres	205/55 R 16 91H/V	6 <sup>1</sup> / <sub>2</sub> J x 16 ⇒ <a href="#">page 426</a>	42	Yes	
		205/50 R 17 93H/V	6 J x 17 ⇒ <a href="#">page 428</a>	45	Yes	
3.2l 184 kW petrol engine	Standard tyres	235/45 R 17 94W	7 <sup>1</sup> / <sub>2</sub> J x 17 ⇒ <a href="#">page 429</a>	47	No	* 235/40 R 18 95W tyres on 8 J x 18 rims with an offset of 44 are only permitted if the specified conditions ⇒ <a href="#">page 432</a> are fulfilled!
	Modification	235/40 R 18 95W* ⇒ <a href="#">page 426</a>	8 J x 18 ⇒ <a href="#">page 431</a>	44	No	
	Winter tyres	205/50 R 17 93H/V	6 J x 17 ⇒ <a href="#">page 428</a>	45	Yes	

Tyre inflation pressures are located on a sticker in fuel tank flap or in ⇒ Maintenance ; Booklet ; Check tyres: condition, profile, inflation pressure, depth of tread .

## 41.5 Wheel allocation for Passat Variant, type 3C model year 2006 to model year 2011

Explanation of information on wheels ⇒ [page 58](#)

Torque settings for wheel bolts ⇒ Running gear, axles, steering; Rep. gr. 44 ; Torque settings for fitting wheels

Pitch circle diameter: 112 mm

Number of wheel bolt holes: 5

### 41.5.1 6<sup>1</sup>/<sub>2</sub> J x 16



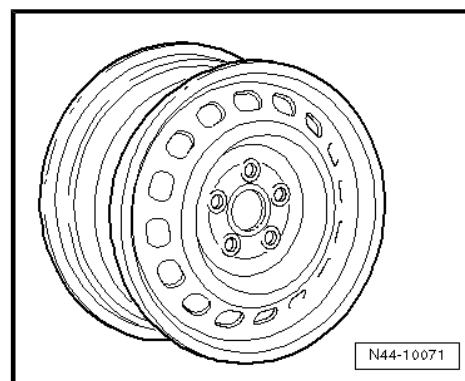
Caution

*Observe the allocation of wheels and tyres to the respective engines, which are listed in the overview table ⇒ [page 410](#) .*



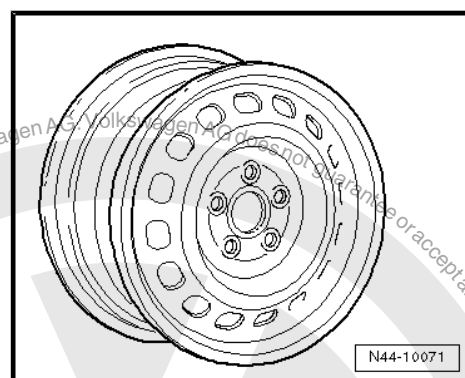
**3C0 601 027 H - Wheel and tyre combination ⇒ page 410**

Size:	6 <sup>1</sup> / <sub>2</sub> J x 16
Wheel offset in mm:	42
Wheel load in kg:	650



**3C0 601,027 AA - Wheel and tyre combination ⇒ page 410**

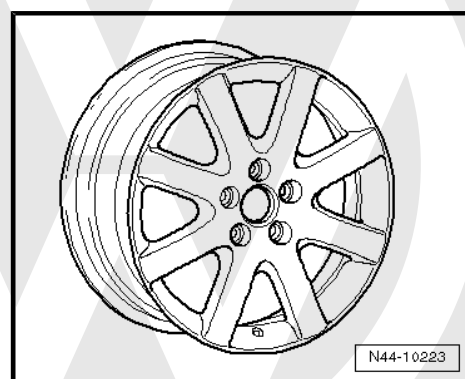
Size:	6 <sup>1</sup> / <sub>2</sub> J x 16
Wheel offset in mm:	42
Wheel load in kg:	650



**Winter wheel**

**3C0 601 025 F - Wheel and tyre combination ⇒ page 410**

Size:	6 <sup>1</sup> / <sub>2</sub> J x 16
Wheel offset in mm:	42
Wheel load in kg:	650



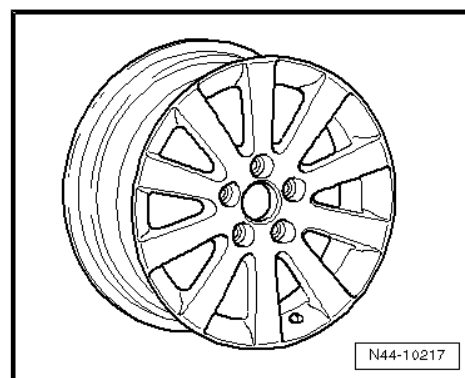
**41.5.2 7 J x 16**

**Caution**

*Observe the allocation of wheels and tyres to the respective engines, which are listed in the overview table ⇒ page 410 .*

**3C0 601 025, 3C0 601 025 AD - Wheel and tyre combination ⇒ page 410**

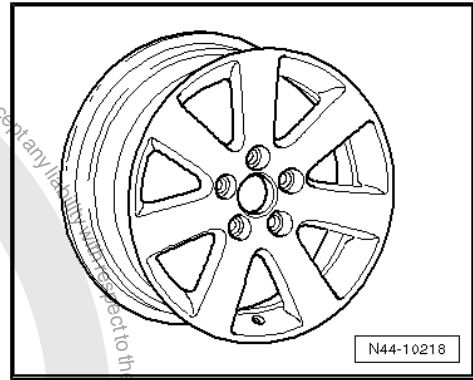
Size:	7 J x 16
Wheel offset in mm:	45
Wheel load in kg:	650





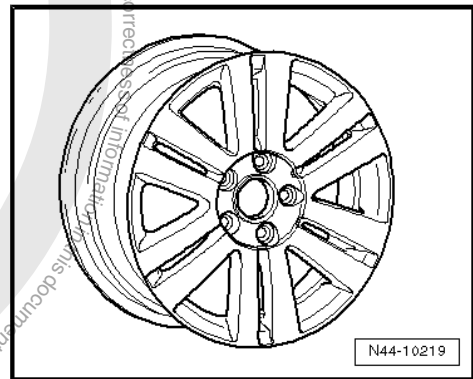
**3C0 601 025 A - Wheel and tyre combination ⇒ page 410**

Size:	7 J x 16
Wheel offset in mm:	45
Wheel load in kg:	650



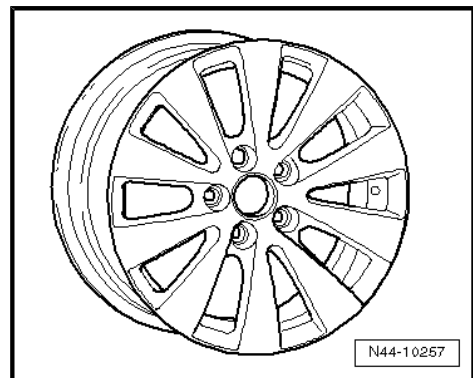
**3C0 601 025 B - Wheel and tyre combination ⇒ page 410**

Size:	7 J x 16
Wheel offset in mm:	45
Wheel load in kg:	650



**3C0 601 025 C - Wheel and tyre combination ⇒ page 410**

Size:	7 J x 16 EH2 ⇒ page 58
Wheel offset in mm:	45
Wheel load in kg:	650



**41.5.3 6 J x 17**



**Caution**

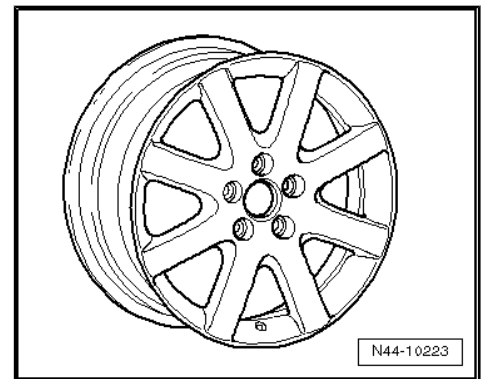
*Observe the allocation of wheels and tyres to the respective engines, which are listed in the overview table ⇒ page 410 .*



**Winter wheel**

**3C0 601 025 M - Wheel and tyre combination ⇒ page 411**

Size:	6 J x 17
Wheel offset in mm:	45
Wheel load in kg:	650

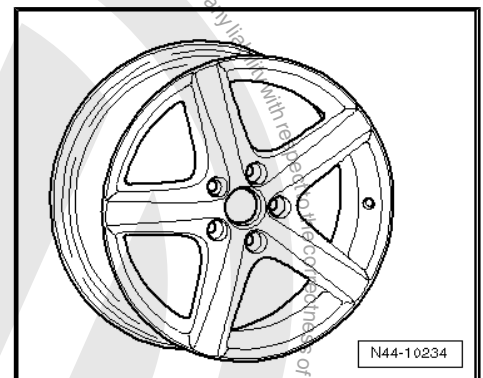


**41.5.4 7<sup>1</sup>/<sub>2</sub> J x 17**

	<b>Caution</b>
<i>Observe the allocation of wheels and tyres to the respective engines, which are listed in the overview table ⇒ page 410 .</i>	

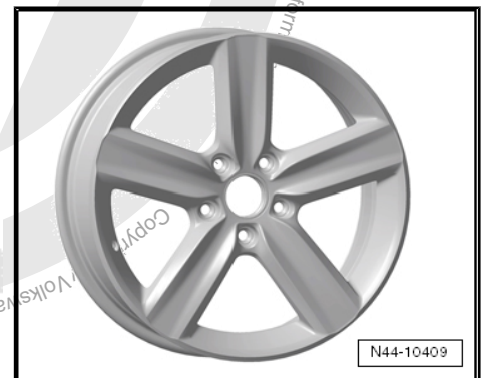
**3C0 601 025 AQ - Wheel and tyre combination ⇒ page 411**

Size:	7 <sup>1</sup> / <sub>2</sub> J x 17
Wheel offset in mm:	47
Wheel load in kg:	650



**3C0 601 025 BB - Wheel and tyre combination ⇒ page 411**

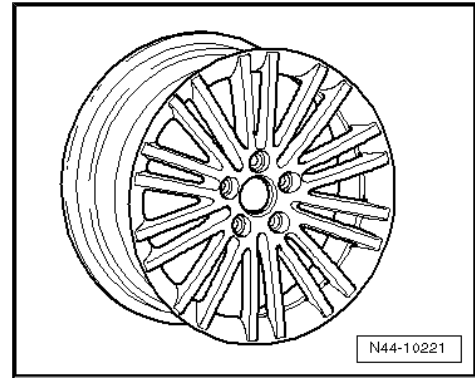
Size:	7 <sup>1</sup> / <sub>2</sub> J x 17
Wheel offset in mm:	47
Wheel load in kg:	650





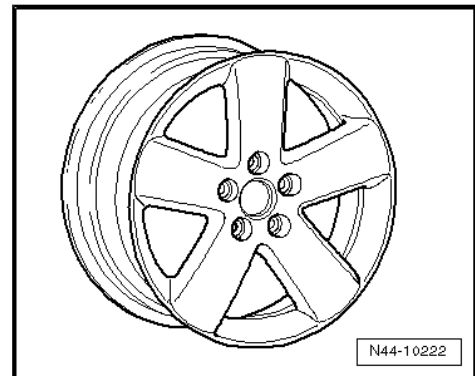
**3C0 601 025 D - Wheel and tyre combination ⇒ page 411**

Size:	7 <sup>1</sup> / <sub>2</sub> J x 17
Wheel offset in mm:	47
Wheel load in kg:	650



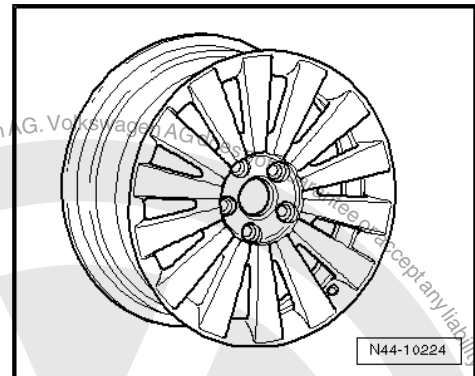
**3C0 601 025 E - Wheel and tyre combination ⇒ page 411**

Size:	7 <sup>1</sup> / <sub>2</sub> J x 17
Wheel offset in mm:	47
Wheel load in kg:	650



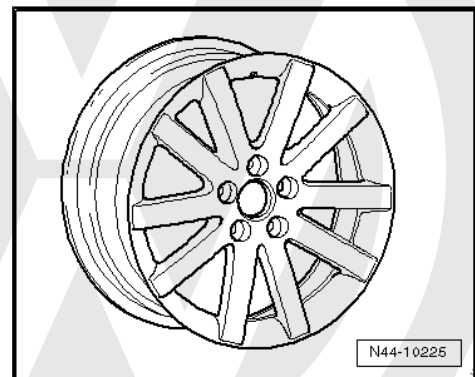
**3C0 601 025 G - Wheel and tyre combination ⇒ page 411**

Size:	7 <sup>1</sup> / <sub>2</sub> J x 17
Wheel offset in mm:	47
Wheel load in kg:	650



**3C0 601 025 J - Wheel and tyre combination ⇒ page 411**

Size:	7 <sup>1</sup> / <sub>2</sub> J x 17
Wheel offset in mm:	47
Wheel load in kg:	650

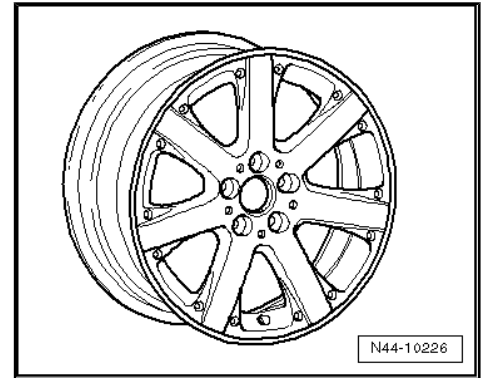






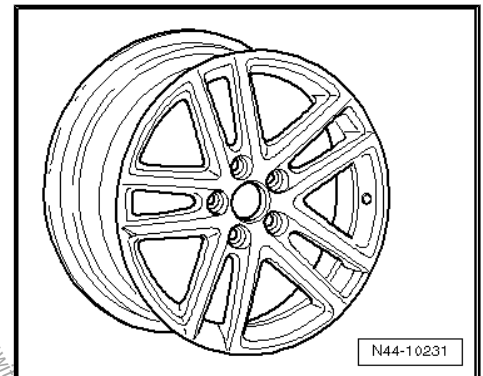
**3C0 601 025 K - Wheel and tyre combination ⇒ page 411**

Size:	7 <sup>1</sup> / <sub>2</sub> J x 17
Wheel offset in mm:	47
Wheel load in kg:	650



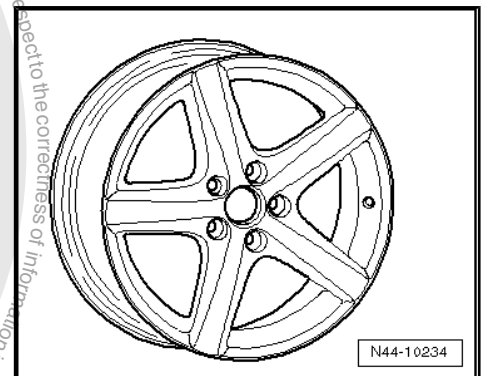
**3C0 601 025 R - Wheel and tyre combination ⇒ page 411**

Size:	7 <sup>1</sup> / <sub>2</sub> J x 17
Wheel offset in mm:	47
Wheel load in kg:	650



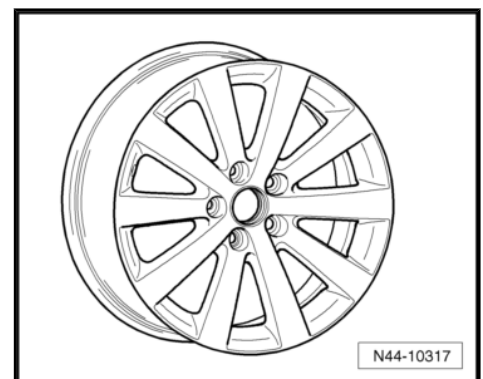
**3C0 601 025 S - Wheel and tyre combination ⇒ page 411**

Size:	7 <sup>1</sup> / <sub>2</sub> J x 17
Wheel offset in mm:	47
Wheel load in kg:	650



**3C0 601 025 AJ - Wheel and tyre combination ⇒ page 411**

Size:	7 <sup>1</sup> / <sub>2</sub> J x 17
Wheel offset in mm:	47
Wheel load in kg:	650



**41.5.5 8 J x 18**

	<p><b>Caution</b></p> <p><i>Observe the allocation of wheels and tyres to the respective engines, which are listed in the overview table ⇒ page 410 .</i></p>
--	---



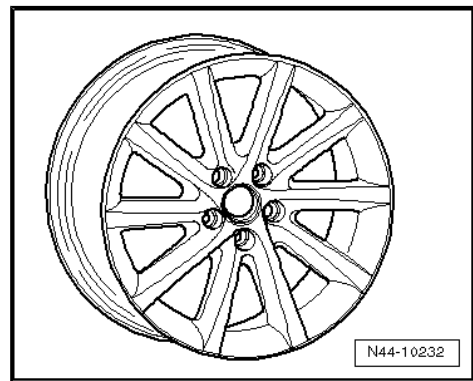
**Caution**

*8 J x 18 wheels can only be fitted under the following conditions:*

- *The vehicle must have either a sports running gear with approx. 15 mm lowered suspension equipped with spring travel limiters or spring travel limiters with Vortex part number 000.071.501/A must be fitted on front and rear axles. In both cases the rear axle camber must be set to -1°45'.*
- *Widened wheel housings (FLAPS) ⇒ [page 4](#) must additionally be installed ⇒ Electronic Parts Catalogue „ETKA“, with the exception of Germany - here, the widened wheel housings (FLAPS) can be omitted with TÜV certificate No. 2174/05.*

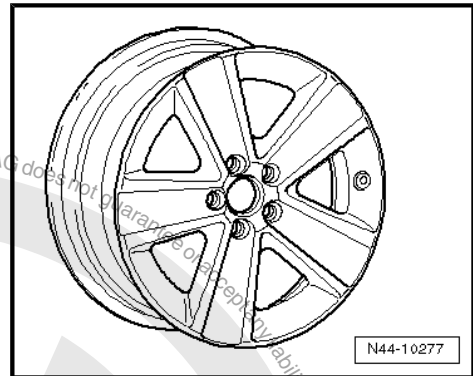
**3C0 601 025 AA - Wheel and tyre combination ⇒ [page 411](#)**

Size:	8 J x 18
Wheel offset in mm:	44
Wheel load in kg:	650



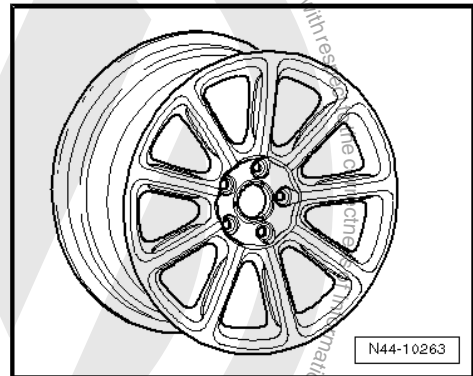
**3C0 601 025 AB, 3C0 601 025 AP - Wheel and tyre combination ⇒ [page 411](#)**

Size:	8 J x 18
Wheel offset in mm:	44
Wheel load in kg:	650



**3C0 601 025 AC - Wheel and tyre combination ⇒ [page 411](#)**

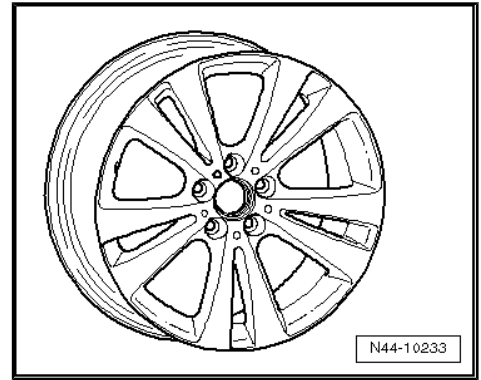
Size:	8 J x 18
Wheel offset in mm:	44
Wheel load in kg:	650





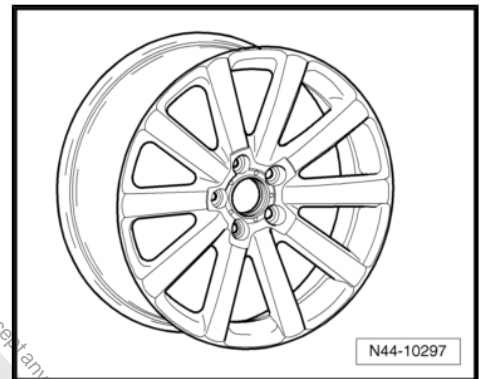
**3C0 601 025 T, 3C0 601 025 AN - Wheel and tyre combination**  
 ⇒ [page 411](#)

Size:	8 J x 18
Wheel offset in mm:	44
Wheel load in kg:	650



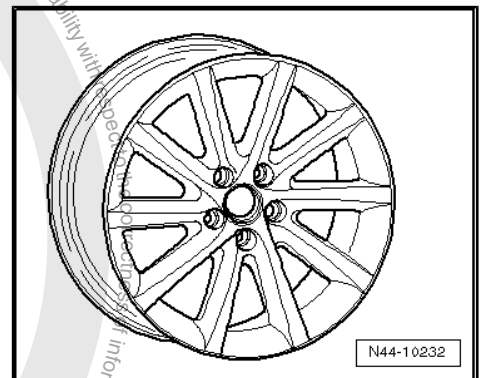
**3C0 601 025 AG - Wheel and tyre combination** ⇒ [page 411](#)

Size:	8 J x 18
Wheel offset in mm:	44
Wheel load in kg:	650



**3C0 601 025 BA - Wheel and tyre combination** ⇒ [page 411](#)

Size:	8 J x 18
Wheel offset in mm:	44
Wheel load in kg:	650



Protected by copyright. Copying for private or commercial purposes, in part or in whole, is not permitted unless authorised by Volkswagen AG. Volkswagen AG does not guarantee or accept any liability with respect to the information in this document. Copyright by Volkswagen AG.





## 42 Passat Variant BlueMotion from model year 2008

### General

Volkswagen vehicles are built according to the latest findings in safety engineering. To keep it that way, we recommend the use of only genuine Volkswagen spare parts. You can recognise this by the VW Audi logo and by the part number. It has been established that these parts are reliable, safe and suitable.

Despite constant appraisal of the market, we cannot assess other products on these points, even when in isolated cases they have been passed by official inspectors or have been granted official approval. Therefore, we cannot, of course, assume any liability if these products are installed.



#### WARNING

*The products from Volkswagen genuine parts and Votex genuine accessories may differ in fitting requirements, torque specifications and so on.*

*Always follow the respective fitting and operating instructions.*

The wheel and tyre combinations or changes listed in the vehicle tables refer exclusively to Volkswagen Genuine wheels. Approval of wheel and tyre combinations or a change to wheels from the accessories trade is not possible with the certificate statement attached here.



#### WARNING

*The fitting instructions and torque specifications for wheels from Votex genuine accessories may differ from those intended for wheels from Volkswagen genuine parts.*

*Therefore, always observe the torque settings for the wheel bolts as well as the respective fitting and operating instructions.*

### 42.1 Passat Variant BlueMotion, type 3C model year 2008 to model year 2009

Appendix to certificate statement 8106807121

The certificate statement can be found on the Volkswagen ServiceNet under Accessories/Tyres, Wheels and Tyres, Wheels and Tyres Guide.

Type Approval No.: e1\*2001/116\*0307\*13 to e1\*2001/116\*0307\*19

#### Overview

Model engine output	Tyres	Tyre size	Wheel rim	Off-set in mm	Snow chains	Remarks
1.9l 77 kW TDI; diesel engine	Standard tyres	205/55 R 16 91H	6 <sup>1</sup> / <sub>2</sub> J x 16 ⇒ <a href="#">page 437</a>	42	Yes	General information on: ◆ Winter tyres ⇒ <a href="#">page 14</a> ◆ Snow chains ⇒ <a href="#">page 17</a>



Model engine output	Tyres	Tyre size	Wheel rim	Off-set in mm	Snow chains	Remarks
	Modification	205/55 R 16 91H/V	7 J x 16 ⇒ <a href="#">page 438</a>	45	No	Tyre makes recommended by Volkswagen: ♦ Summer tyres ⇒ <a href="#">page 515</a> ♦ All-season tyres ⇒ <a href="#">page 526</a> ♦ Winter tyres ⇒ <a href="#">page 538</a>
	Winter tyres	205/55 R 16 91H/V	6 1/2 J x 16 ⇒ <a href="#">page 437</a>	42	Yes	
2.0l 81 kW TDI diesel engine	Standard tyres	205/55 R 16 91H	6 1/2 J x 16 ⇒ <a href="#">page 437</a>	42	Yes	♦ * 235/40 R 18 95 Y tyres on 8 J x 18 rims with an offset of 44 are only permitted if the specified conditions ⇒ <a href="#">page 442</a> are fulfilled! ♦ 235/40 R 18 95W tyres on 8 J x 18 rims with an offset of 44 may be used instead of 235/40 R 18 95Y tyres on 8 J x 18 rims with an offset of 44. Observe authorisation by Kraftfahrt-Bundesamt (German road traffic authority) „Authorisation of 95W tyres for Passat“. This is located on the Volkswagen ServiceNet under Accessories/ Tyres, Wheels and Tyres, Wheels and Tyres Guide.
	Modification	205/55 R 16 91H/V	7 J x 16 ⇒ <a href="#">page 438</a>	45	No	
		205/50 R 17 93H/V	6 J x 17 ⇒ <a href="#">page 439</a>	45	Yes	
		235/45 R 17 94H/V	7 1/2 J x 17 ⇒ <a href="#">page 439</a>	47	No	
		235/40 R 18 95Y* ⇒ <a href="#">page 435</a>	8 J x 18 ⇒ <a href="#">page 441</a>	44	No	
	Winter tyres	205/55 R 16 91H/V	6 1/2 J x 16 ⇒ <a href="#">page 437</a>	42	Yes	
205/50 R 17 93H/V		6 J x 17 ⇒ <a href="#">page 439</a>	45	Yes		

Tyre inflation pressures are located on a sticker in fuel tank flap or in ⇒ Maintenance ; Booklet ; Check tyres: condition, profile, inflation pressure, depth of tread .



## 42.2 Passat Variant BlueMotion, type 3C model year 2010 to model year 2011

Appendix to certificate statement 8106807121

The certificate statement can be found on the Volkswagen ServiceNet under Accessories/Tyres, Wheels and Tyres, Wheels and Tyres Guide.

Type Approval No.: e1\*2001/116\*0307\*20 to e1\*2001/116\*0307\*23

### Overview

Model engine output	Tyres	Tyre size	Wheel rim	Offset in mm	Snow chains	Remarks
1.4l 90 kW petrol engine  1.6l 77 kW TDI; 2.0l 81 kW TDI; 2.0l 103 kW TDI diesel engine	Standard tyres	205/55 R 16 91H	6 <sup>1</sup> / <sub>2</sub> J x 16 ⇒ <a href="#">page 437</a>	42	Yes	General information on: ◆ Winter tyres ⇒ <a href="#">page 14</a> ◆ Snow chains ⇒ <a href="#">page 17</a>
	Modification	205/55 R 16 91H/V	7 J x 16 ⇒ <a href="#">page 438</a>	45	No	Tyre makes recommended by Volkswagen:  ◆ Summer tyres ⇒ <a href="#">page 515</a> ◆ All-season tyres ⇒ <a href="#">page 526</a> ◆ Winter tyres ⇒ <a href="#">page 538</a>
		205/50 R 17 93H/V	6 J x 17 ⇒ <a href="#">page 439</a>	45	Yes	
		235/45 R 17 94H/V	7 <sup>1</sup> / <sub>2</sub> J x 17 ⇒ <a href="#">page 439</a>	47	No	
		235/40 R 18 95W* ⇒ <a href="#">page 436</a>	8 J x 18 ⇒ <a href="#">page 441</a>	44	No	
	Winter tyres	205/55 R 16 91H/V	6 <sup>1</sup> / <sub>2</sub> J x 16 ⇒ <a href="#">page 437</a>	42	Yes	* 235/40 R 18 95W tyres on 8 J x 18 rims with an offset of 44 are only permitted if the specified conditions ⇒ <a href="#">page 442</a> are fulfilled!
		205/50 R 17 93H/V	6 J x 17 ⇒ <a href="#">page 439</a>	45	Yes	

Tyre inflation pressures are located on a sticker in fuel tank flap or in ⇒ Maintenance ; Booklet ; Check tyres: condition, profile, inflation pressure, depth of tread .

## 42.3 Wheel allocation for Passat Variant BlueMotion, type 3C model year 2008 to model year 2011


Explanation of information on wheels ⇒ [page 58](#)



Torque settings for wheel bolts ⇒ Running gear, axles, steering;  
Rep. gr. 44 ; Torque settings for fitting wheels

Pitch circle diameter: 112 mm  
Number of wheel bolt holes: 5

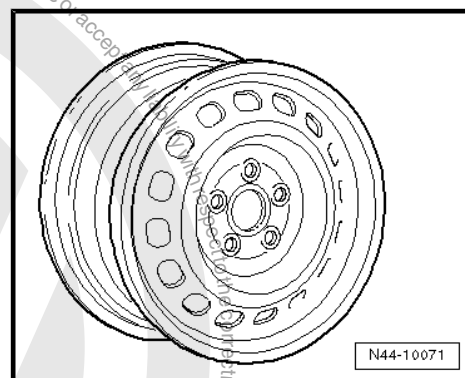
### 42.3.1 6<sup>1</sup>/<sub>2</sub> J x 16

 **Caution**

*Observe the allocation of wheels and tyres to the respective engines, which are listed in the overview table ⇒ [page 434](#) .*

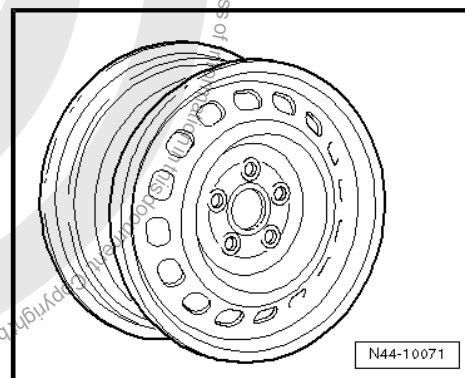
#### 3C0 601 027 H - Wheel and tyre combination ⇒ [page 434](#)

Size:	6 <sup>1</sup> / <sub>2</sub> J x 16
Wheel offset in mm:	42
Wheel load in kg:	650



#### 3C0 601,027 AA - Wheel and tyre combination ⇒ [page 434](#)

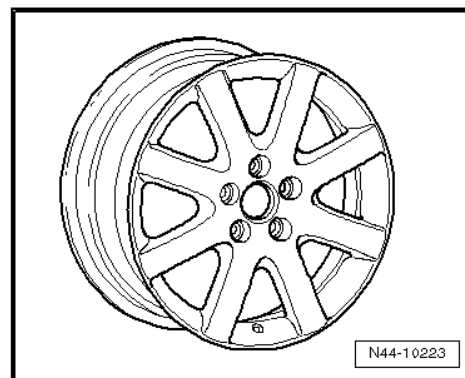
Size:	6 <sup>1</sup> / <sub>2</sub> J x 16
Wheel offset in mm:	42
Wheel load in kg:	650



#### Winter wheel

#### 3C0 601 025 F - Wheel and tyre combination ⇒ [page 434](#)

Size:	6 <sup>1</sup> / <sub>2</sub> J x 16
Wheel offset in mm:	42
Wheel load in kg:	650





### 42.3.2 7 J x 16

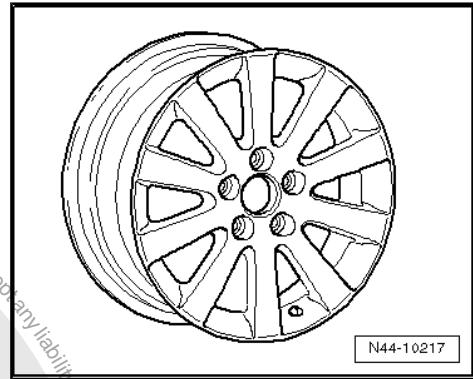


#### Caution

Observe the allocation of wheels and tyres to the respective engines, which are listed in the overview table ⇒ [page 434](#) .

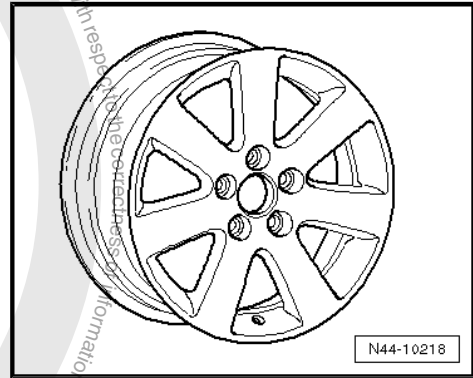
#### 3C0 601 025, 3C0 601 025 AD - Wheel and tyre combination ⇒ [page 435](#)

Size:	7 J x 16
Wheel offset in mm:	45
Wheel load in kg:	650



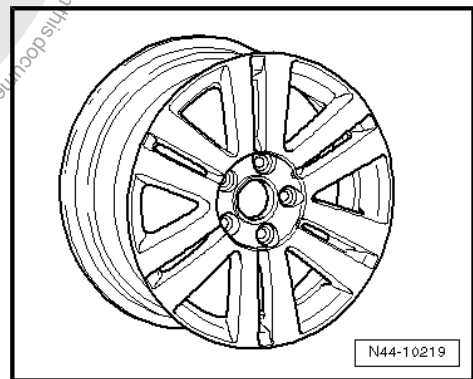
#### 3C0 601 025 A - Wheel and tyre combination ⇒ [page 435](#)

Size:	7 J x 16
Wheel offset in mm:	45
Wheel load in kg:	650



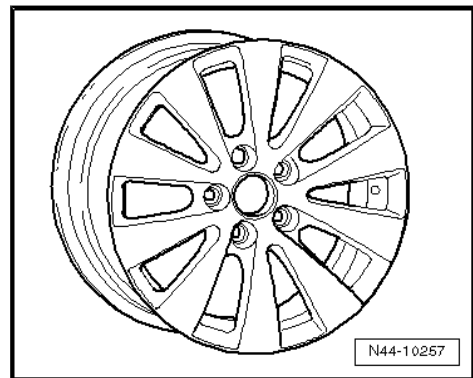
#### 3C0 601 025 B - Wheel and tyre combination ⇒ [page 435](#)

Size:	7 J x 16
Wheel offset in mm:	45
Wheel load in kg:	650



#### 3C0 601 025 C - Wheel and tyre combination ⇒ [page 435](#)


Size:	7 J x 16 EH2 ⇒ <a href="#">page 58</a>
Wheel offset in mm:	45
Wheel load in kg:	650







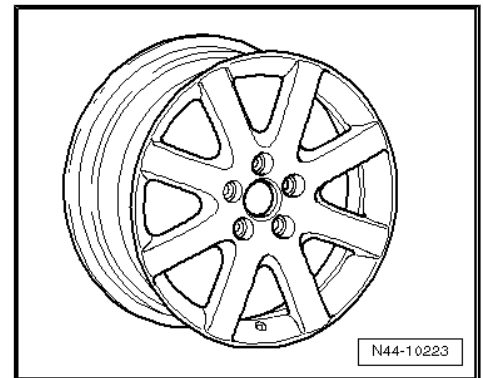
### 42.3.3 6 J x 17

 **Caution**  
*Observe the allocation of wheels and tyres to the respective engines, which are listed in the overview table ⇒ [page 434](#) .*


#### Winter wheel

3C0 601 025 M - Wheel and tyre combination ⇒ [page 435](#)

Size:	6 J x 17
Wheel offset in mm:	45
Wheel load in kg:	650

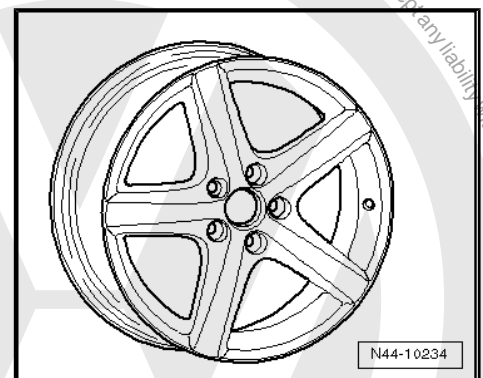


### 42.3.4 7<sup>1</sup>/<sub>2</sub> J x 17

 **Caution**  
*Observe the allocation of wheels and tyres to the respective engines, which are listed in the overview table ⇒ [page 434](#) .*

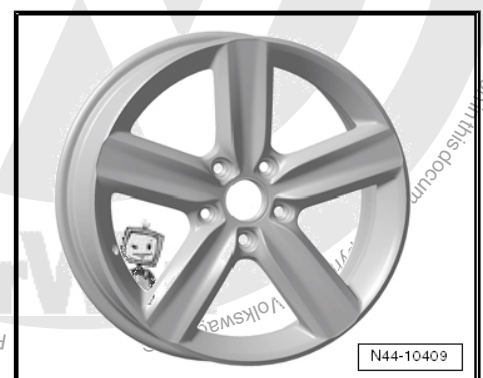
3C0 601 025 AQ - Wheel and tyre combination ⇒ [page 435](#)

Size:	7 <sup>1</sup> / <sub>2</sub> J x 17
Wheel offset in mm:	47
Wheel load in kg:	650



3C0 601 025 BB - Wheel and tyre combination ⇒ [page 435](#)

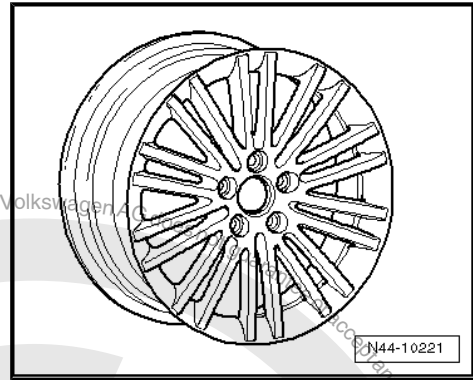
Size:	7 <sup>1</sup> / <sub>2</sub> J x 17
Wheel offset in mm:	47
Wheel load in kg:	650





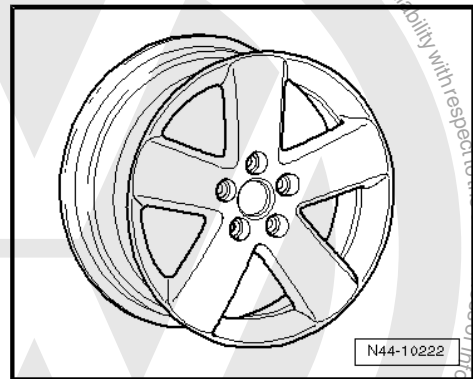
**3C0 601 025 D - Wheel and tyre combination ⇒ page 435**

Size:	7 <sup>1</sup> / <sub>2</sub> J x 17
Wheel offset in mm:	47
Wheel load in kg:	650



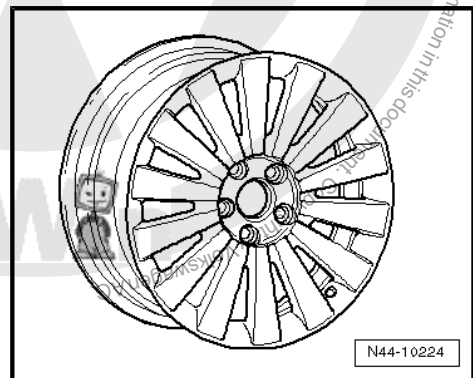
**3C0 601 025 E - Wheel and tyre combination ⇒ page 435**

Size:	7 <sup>1</sup> / <sub>2</sub> J x 17
Wheel offset in mm:	47
Wheel load in kg:	650



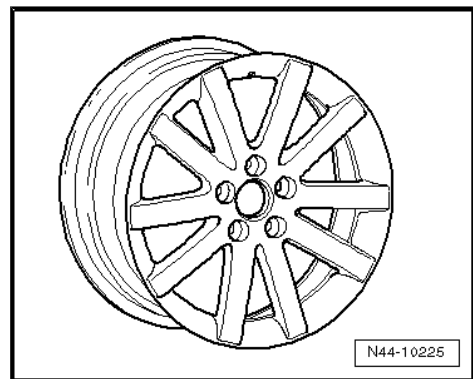
**3C0 601 025 G - Wheel and tyre combination ⇒ page 435**

Size:	7 <sup>1</sup> / <sub>2</sub> J x 17
Wheel offset in mm:	47
Wheel load in kg:	650



**3C0 601 025 J - Wheel and tyre combination ⇒ page 435**

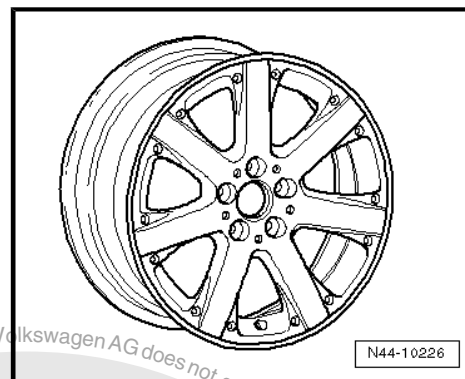
Size:	7 <sup>1</sup> / <sub>2</sub> J x 17
Wheel offset in mm:	47
Wheel load in kg:	650





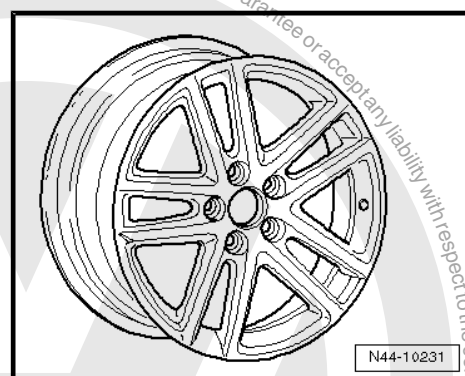
**3C0 601 025 K - Wheel and tyre combination ⇒ page 435**

Size:	7 <sup>1</sup> / <sub>2</sub> J x 17
Wheel offset in mm:	47
Wheel load in kg:	650



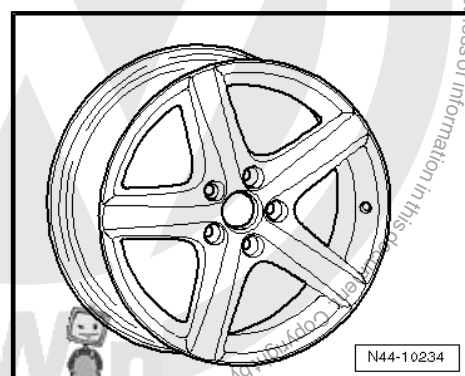
**3C0 601 025 R - Wheel and tyre combination ⇒ page 435**

Size:	7 <sup>1</sup> / <sub>2</sub> J x 17
Wheel offset in mm:	47
Wheel load in kg:	650



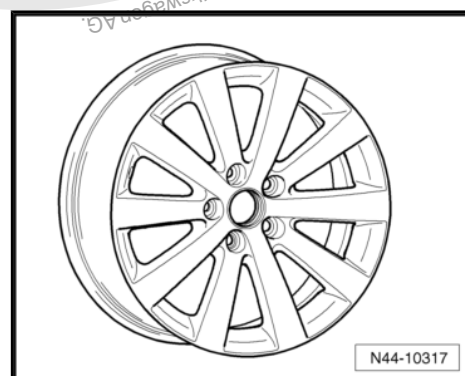
**3C0 601 025 S - Wheel and tyre combination ⇒ page 435**

Size:	7 <sup>1</sup> / <sub>2</sub> J x 17
Wheel offset in mm:	47
Wheel load in kg:	650



**3C0 601 025 AJ - Wheel and tyre combination ⇒ page 435**

Size:	7 <sup>1</sup> / <sub>2</sub> J x 17
Wheel offset in mm:	47
Wheel load in kg:	650



**42.3.5 8 J x 18**

	<p><b>Caution</b></p> <p><i>Observe the allocation of wheels and tyres to the respective engines, which are listed in the overview table ⇒ page 434 .</i></p>
--	---



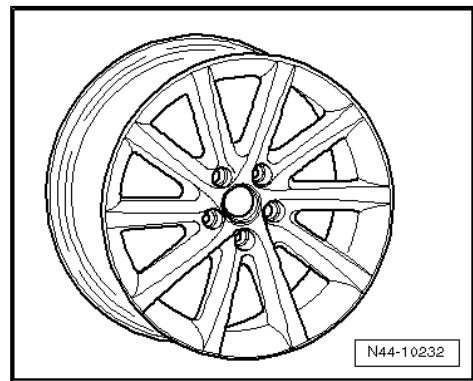
**Caution**

**8 J x 18 wheels can only be fitted under the following conditions:**

- The vehicle must have either a sports running gear with approx. 15 mm lowered suspension equipped with spring travel limiters or spring travel limiters with Vortex part number 000.071.501/A must be fitted on front and rear axles. In both cases the rear axle camber must be set to  $-1^{\circ}45'$ .
- Widened wheel housings (FLAPS)  $\Rightarrow$  page 4 must additionally be installed  $\Rightarrow$  Electronic Parts Catalogue „ETKA“, with the exception of Germany - here, the widened wheel housings (FLAPS) can be omitted with TÜV certificate No. 2174/05.

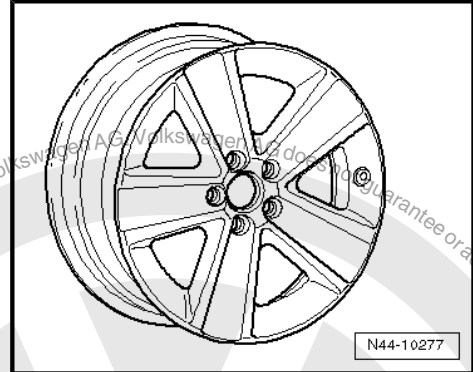
**3C0 601 025 AA - Wheel and tyre combination  $\Rightarrow$  page 435**

Size:	8 J x 18
Wheel offset in mm:	44
Wheel load in kg:	650



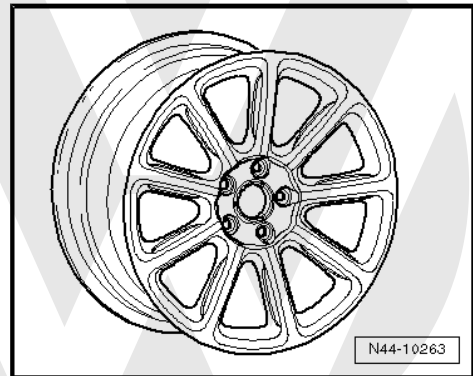
**3C0 601 025 AB, 3C0 601 025 AP - Wheel and tyre combination  $\Rightarrow$  page 435**

Size:	8 J x 18
Wheel offset in mm:	44
Wheel load in kg:	650



**3C0 601 025 AC - Wheel and tyre combination  $\Rightarrow$  page 435**

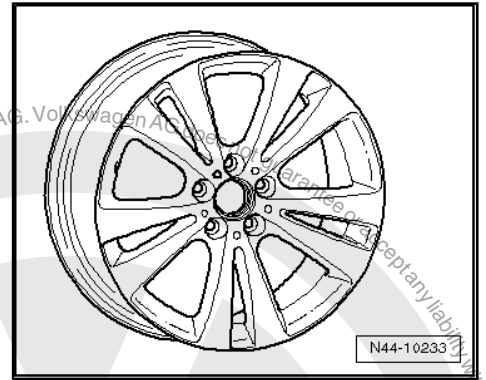
Size:	8 J x 18
Wheel offset in mm:	44
Wheel load in kg:	650





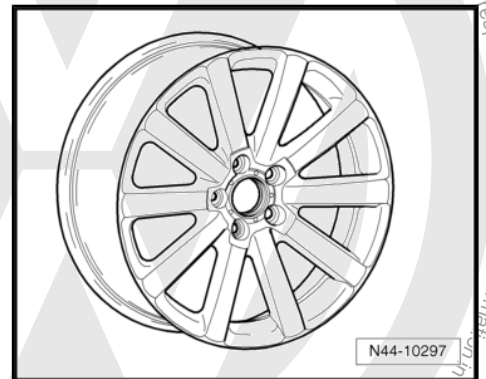
**3C0 601 025 T, 3C0 601 025 AN - Wheel and tyre combination**  
⇒ [page 435](#)

Size:	8 J x 18
Wheel offset in mm:	44
Wheel load in kg:	650



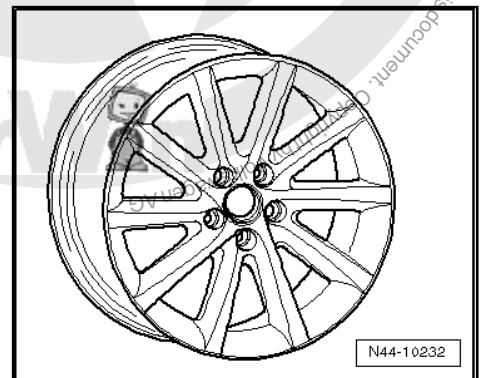
**3C0 601 025 AG - Wheel and tyre combination** ⇒ [page 435](#)

Size:	8 J x 18
Wheel offset in mm:	44
Wheel load in kg:	650



**3C0 601 025 BA - Wheel and tyre combination** ⇒ [page 435](#)

Size:	8 J x 18
Wheel offset in mm:	44
Wheel load in kg:	650





## 43 Passat R36 from model year 2008

### General

Volkswagen vehicles are built according to the latest findings in safety engineering. To keep it that way, we recommend the use of only genuine Volkswagen spare parts. You can recognise this by the VW Audi logo and by the part number. It has been established that these parts are reliable, safe and suitable.

Despite constant appraisal of the market, we cannot assess other products on these points, even when in isolated cases they have been passed by official inspectors or have been granted official approval. Therefore, we cannot, of course, assume any liability if these products are installed.



#### WARNING

*The products from Volkswagen genuine parts and Votex genuine accessories may differ in fitting requirements, torque specifications and so on.*

*Always follow the respective fitting and operating instructions.*

The wheel and tyre combinations or changes listed in the vehicle tables refer exclusively to Volkswagen Genuine wheels. Approval of wheel and tyre combinations or a change to wheels from the accessories trade is not possible with the certificate statement attached here.



#### WARNING

*The fitting instructions and torque specifications for wheels from Votex genuine accessories may differ from those intended for wheels from Volkswagen genuine parts.*

*Therefore, always observe the torque settings for the wheel bolts as well as the respective fitting and operating instructions.*

### 43.1 Passat R36, type 3C model year 2008 to model year 2009

Appendix to certificate statement 8106807121

The certificate statement can be found on the Volkswagen ServiceNet under Accessories/Tyres, Wheels and Tyres, Wheels and Tyres Guide.

Type Approval No.: e1\*2001/116\*0307\*13 to e1\*2001/116\*0307\*19

#### Overview

Model engine output	Tyres	Tyre size	Wheel rim	Offset in mm	Snow chains	Remarks
3.6l V6 220 kW; petrol engine	Standard tyres	235/40 R 18 95Y* ⇒ <a href="#">page 445</a>	8 J x 18 ⇒ <a href="#">page 449</a>	44	No	General information on: ◆ Winter tyres ⇒ <a href="#">page 14</a> ◆ Snow chains ⇒ <a href="#">page 17</a>



Model engine output	Tyres	Tyre size	Wheel rim	Off-set in mm	Snow chains	Remarks
	Modification	235/45 R 17 94W	7½ J x 17 ⇒ <a href="#">page 447</a>	47	No	Tyre makes recommended by Volkswagen: ♦ Summer tyres ⇒ <a href="#">page 516</a> ♦ All-season tyres ⇒ <a href="#">page 526</a> ♦ Winter tyres ⇒ <a href="#">page 539</a> ♦ 235/40 R 18 95W tyres on 8 J x 18 rims with an offset of 44 may be used instead of 235/40 R 18 95Y tyres on 8 J x 18 rims with an offset of 44. Observe authorisation by Kraftfahrt-Bundesamt (German road traffic authority) „Authorisation of 95W tyres for Passat“. This is located on the Volkswagen ServiceNet under Accessories/ Tyres, Wheels and Tyres, Wheels and Tyres Guide.
	Winter tyres	205/50 R 17 93H/V	6 J x 17 ⇒ <a href="#">page 447</a>	45	Yes	
3.6l V6 220 kW; petrol engine	Standard tyres	235/35 R 19 91Y** ⇒ <a href="#">page 445</a>	8 J x 19 ⇒ <a href="#">page 451</a>	44	No	** 235/35 R 19 91Y tyres on 8 J x 19 rims with an offset of 44 are only permitted if the specified conditions ⇒ <a href="#">page 451</a> are fulfilled!
	Modification	235/45 R 17 94W	7½ J x 17 ⇒ <a href="#">page 447</a>	47	No	
		235/40 R 18 95Y	8 J x 18 ⇒ <a href="#">page 449</a>	44	No	
	Winter tyres	205/50 R 17 93H/V	6 J x 17 ⇒ <a href="#">page 447</a>	45	Yes	

Tyre inflation pressures are located on a sticker in fuel tank flap or in ⇒ Maintenance ; Booklet ; Check tyres: condition, profile, inflation pressure, depth of tread .

## 43.2 Passat R36, type 3C model year 2010 to model year 2011

Appendix to certificate statement 8106807121



The certificate statement can be found on the Volkswagen ServiceNet under Accessories/Tyres, Wheels and Tyres, Wheels and Tyres Guide.

Type Approval No.: e1\*2001/116\*0307\*20 to e1\*2001/116\*0307\*23

### Overview

Model engine output	Tyres	Tyre size	Wheel rim	Offset in mm	Snow chains	Remarks
3.6l V6 220 kW; petrol engine	Standard tyres	235/40 R 18 95W	8 J x 18 ⇒ <a href="#">page 449</a>	44	No	General information on: ◆ Winter tyres ⇒ <a href="#">page 14</a> ◆ Snow chains ⇒ <a href="#">page 17</a>  Tyre makes recommended by Volkswagen: ◆ Summer tyres ⇒ <a href="#">page 516</a> ◆ All-season tyres ⇒ <a href="#">page 526</a> ◆ Winter tyres ⇒ <a href="#">page 539</a>
	Modification	235/45 R 17 94W	7 <sup>1</sup> / <sub>2</sub> J x 17 ⇒ <a href="#">page 447</a>	47	No	
	Winter tyres	205/50 R 17 93H/V	6 J x 17 ⇒ <a href="#">page 447</a>	45	Yes	
3.6l V6 220 kW; petrol engine	Standard tyres	235/35 R 19 91Y* ⇒ <a href="#">page 446</a>	8 J x 19 ⇒ <a href="#">page 451</a>	44	No	* 235/35 R 19 91Y tyres on 8 J x 19 rims with an offset of 44 are only permitted if the specified conditions ⇒ <a href="#">page 451</a> are fulfilled!
	Modification	235/45 R 17 94W	7 <sup>1</sup> / <sub>2</sub> J x 17 ⇒ <a href="#">page 447</a>	47	No	
		235/40 R 18 95W	8 J x 18 ⇒ <a href="#">page 449</a>	44	No	
	Winter tyres	205/50 R 17 93H/V	6 J x 17 ⇒ <a href="#">page 447</a>	45	Yes	

Tyre inflation pressures are located on a sticker in fuel tank flap or in ⇒ Maintenance ; Booklet ; Check tyres: condition, profile, inflation pressure, depth of tread .

### 43.3 Wheel allocation for Passat R36, type 3C model year 2008 to model year 2011

Explanation of information on wheels ⇒ [page 58](#)

Torque settings for wheel bolts ⇒ Running gear, axles, steering; Rep. gr. 44 ; Torque settings for fitting wheels

Pitch circle diameter: 112 mm





Number of wheel bolt holes: 5

### 43.3.1 6 J x 17



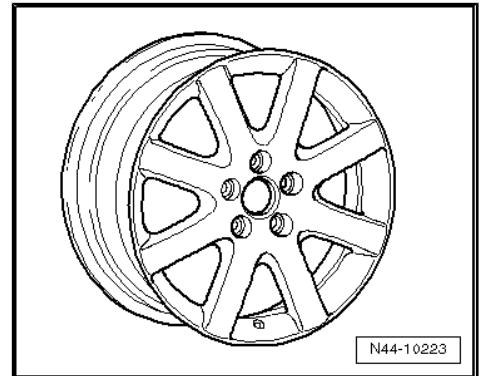
**Caution**

*Observe the allocation of wheels and tyres to the respective engines, which are listed in the overview table ⇒ [page 444](#) .*

**Winter wheel**

**3C0 601 025 M - Wheel and tyre combination ⇒ [page 445](#)**

Size:	6 J x 17
Wheel offset in mm:	45
Wheel load in kg:	650



### 43.3.2 7 1/2 J x 17

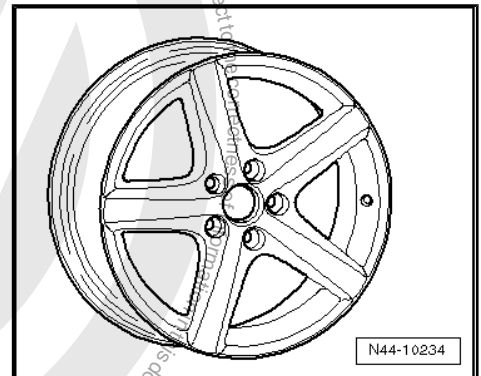


**Caution**

*Observe the allocation of wheels and tyres to the respective engines, which are listed in the overview table ⇒ [page 444](#) .*

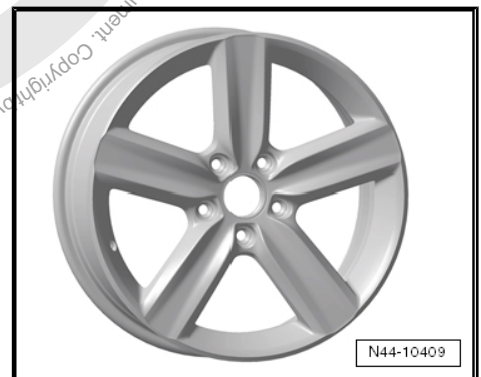
**3C0 601 025 AQ - Wheel and tyre combination ⇒ [page 445](#)**

Size:	7 1/2 J x 17
Wheel offset in mm:	47
Wheel load in kg:	650



**3C0 601 025 BB - Wheel and tyre combination ⇒ [page 445](#)**

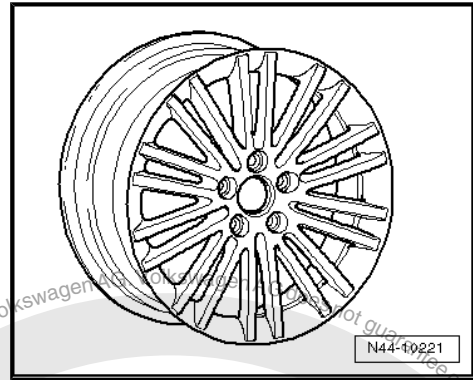
Size:	7 1/2 J x 17
Wheel offset in mm:	47
Wheel load in kg:	650





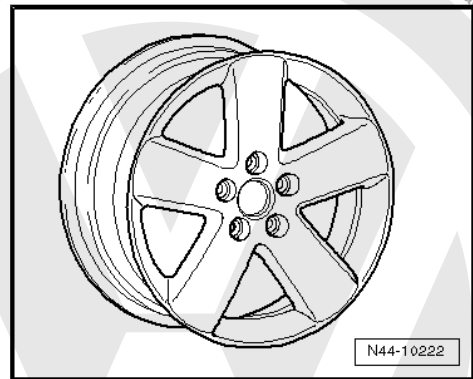
**3C0 601 025 D - Wheel and tyre combination ⇒ page 445**

Size:	7 <sup>1</sup> / <sub>2</sub> J x 17
Wheel offset in mm:	47
Wheel load in kg:	650



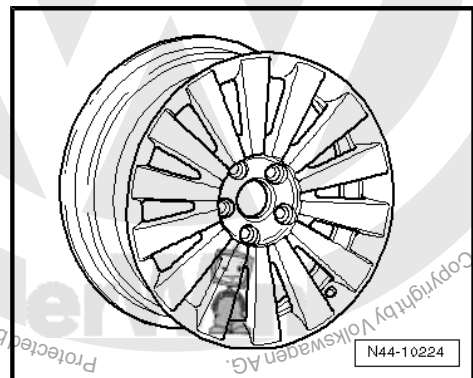
**3C0 601 025 E - Wheel and tyre combination ⇒ page 445**

Size:	7 <sup>1</sup> / <sub>2</sub> J x 17
Wheel offset in mm:	47
Wheel load in kg:	650



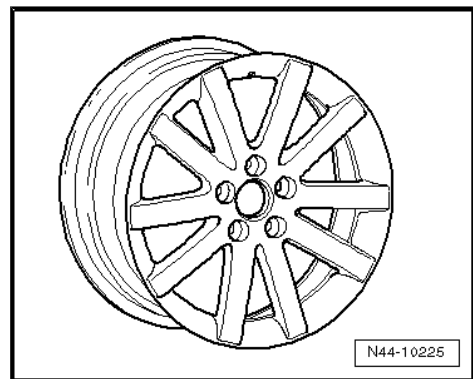
**3C0 601 025 G - Wheel and tyre combination ⇒ page 445**

Size:	7 <sup>1</sup> / <sub>2</sub> J x 17
Wheel offset in mm:	47
Wheel load in kg:	650



**3C0 601 025 J - Wheel and tyre combination ⇒ page 445**

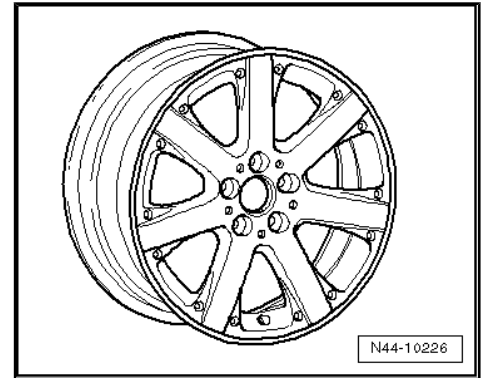
Size:	7 <sup>1</sup> / <sub>2</sub> J x 17
Wheel offset in mm:	47
Wheel load in kg:	650





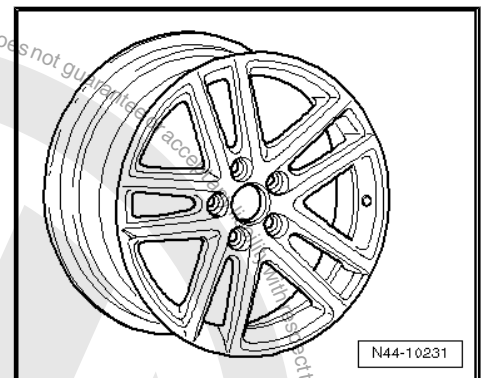
**3C0 601 025 K - Wheel and tyre combination ⇒ page 445**

Size:	7 <sup>1</sup> / <sub>2</sub> J x 17
Wheel offset in mm:	47
Wheel load in kg:	650



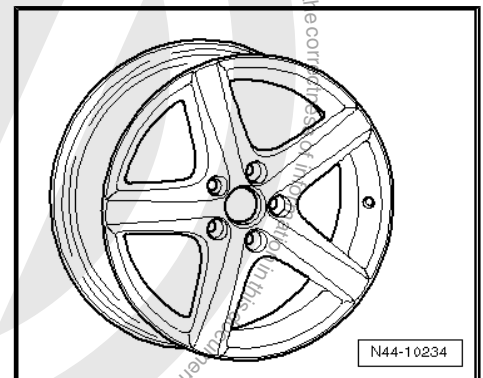
**3C0 601 025 R - Wheel and tyre combination ⇒ page 445**

Size:	7 <sup>1</sup> / <sub>2</sub> J x 17
Wheel offset in mm:	47
Wheel load in kg:	650



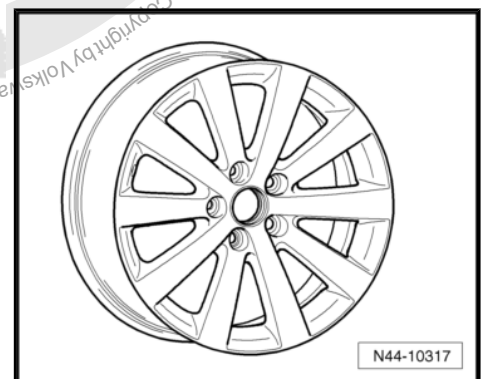
**3C0 601 025 S - Wheel and tyre combination ⇒ page 445**

Size:	7 <sup>1</sup> / <sub>2</sub> J x 17
Wheel offset in mm:	47
Wheel load in kg:	650



**3C0 601 025 AJ - Wheel and tyre combination ⇒ page 445**

Size:	7 <sup>1</sup> / <sub>2</sub> J x 17
Wheel offset in mm:	47
Wheel load in kg:	650



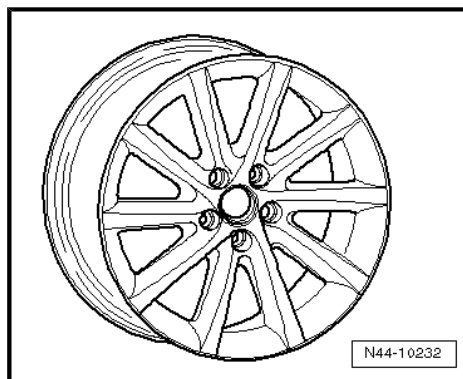
**43.3.3 8 J x 18**

	<p><b>Caution</b></p> <p><i>Observe the allocation of wheels and tyres to the respective engines, which are listed in the overview table ⇒ page 444 .</i></p>
--	---



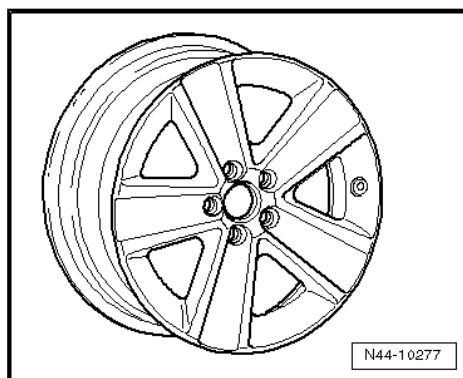
**3C0 601 025 AA - Wheel and tyre combination ⇒ page 444**

Size:	8 J x 18
Wheel offset in mm:	44
Wheel load in kg:	650



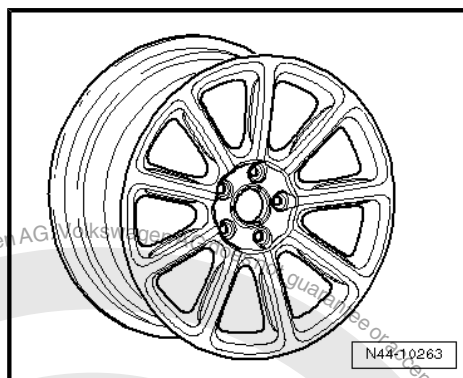
**3C0 601 025 AB, 3C0 601 025 AP - Wheel and tyre combination ⇒ page 444**

Size:	8 J x 18
Wheel offset in mm:	44
Wheel load in kg:	650



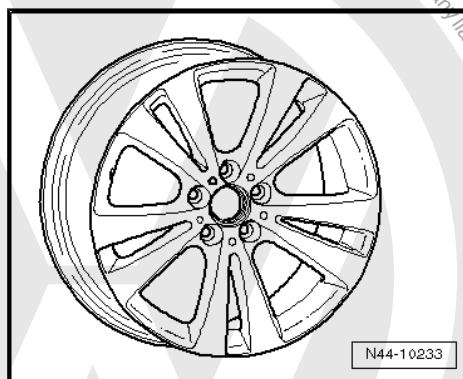
**3C0 601 025 AC - Wheel and tyre combination ⇒ page 444**

Size:	8 J x 18
Wheel offset in mm:	44
Wheel load in kg:	650



**3C0 601 025 T, 3C0 601 025 AN - Wheel and tyre combination ⇒ page 444**

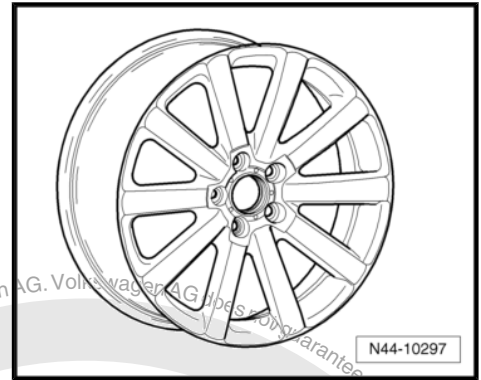
Size:	8 J x 18
Wheel offset in mm:	44
Wheel load in kg:	650





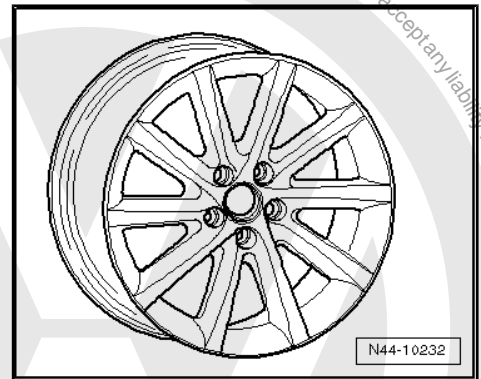
**3C0 601 025 AG - Wheel and tyre combination ⇒ page 444**

Size:	8 J x 18
Wheel offset in mm:	44
Wheel load in kg:	650



**3C0 601 025 BA - Wheel and tyre combination ⇒ page 444**

Size:	8 J x 18
Wheel offset in mm:	44
Wheel load in kg:	650



**43.3.4 8 J x 19**



**Caution**

*Observe the allocation of wheels and tyres to the respective engines, which are listed in the overview table ⇒ page 444 .*



**Caution**

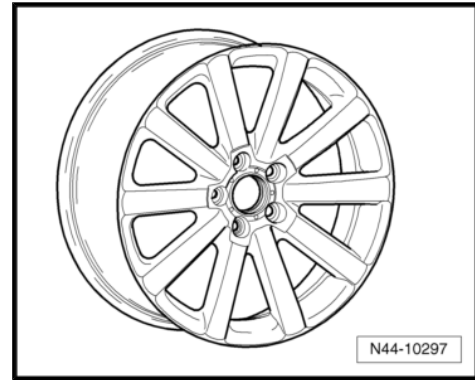
*8 J x 19 wheels can only be fitted under the following conditions:*

- *The wheels may only be fitted on R36 vehicles which have factory fitted 19 inch wheels and have been delivered with these wheels.*
- *Retrofitting vehicles with factory fitted 18 inch wheels is not possible.*
- *The running gear settings are analogue the 18 inch running gear.*



**3C0 601 025 AM- Wheel and tyre combination ⇒ page 445**

Size:	8 J x 19
Wheel offset in mm:	44
Wheel load in kg:	650





## 44 Passat saloon from model year 2011

### General

Volkswagen vehicles are built according to the latest findings in safety engineering. To keep it that way, we recommend the use of only genuine Volkswagen spare parts. You can recognise this by the VW Audi logo and by the part number. It has been established that these parts are reliable, safe and suitable.

Despite constant appraisal of the market, we cannot assess other products on these points, even when in isolated cases they have been passed by official inspectors or have been granted official approval. Therefore, we cannot, of course, assume any liability if these products are installed.



#### WARNING

*The products from Volkswagen genuine parts and Votex genuine accessories may differ in fitting requirements, torque specifications and so on.*

*Always follow the respective fitting and operating instructions.*

The wheel and tyre combinations or changes listed in the vehicle tables refer exclusively to Volkswagen Genuine wheels. Approval of wheel and tyre combinations or a change to wheels from the accessories trade is not possible with the certificate statement attached here.



#### WARNING

*The fitting instructions and torque specifications for wheels from Votex genuine accessories may differ from those intended for wheels from Volkswagen genuine parts.*

*Therefore, always observe the torque settings for the wheel bolts as well as the respective fitting and operating instructions.*

### 44.1 Advanced information on Passat saloon, type 3AA model year 2011

#### Overview

Model engine output	Tyres	Tyre size	Wheel rim	Off-set in mm	Snow chains	Remarks
1.4l 90 kW petrol engine 1.6l 77 kW TDI diesel engine	Standard tyres	205/55 R 16 91H	6 <sup>1</sup> / <sub>2</sub> J x 16	42	Yes	General information on: ♦ Winter tyres ⇒ <a href="#">page 14</a> ♦ Snow chains ⇒ <a href="#">page 17</a>  Tyre makes recommended by Volkswagen:
	Modification	215/55 R 16 93H/V	6 <sup>1</sup> / <sub>2</sub> J x 16	42	No	
		205/55 R 16 91H/V	7 J x 16	45	No	
		215/55 R 16 93H/V	7 J x 16	45	No	

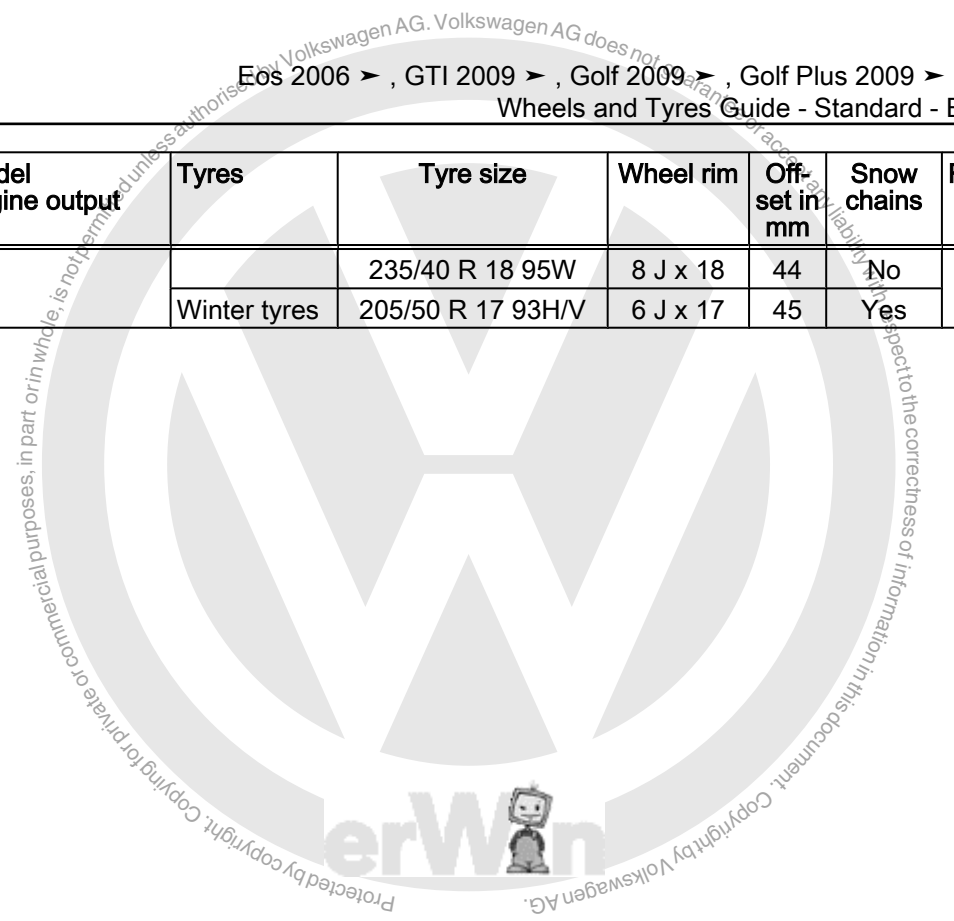


Model engine output	Tyres	Tyre size	Wheel rim	Off-set in mm	Snow chains	Remarks
		235/45 R 17 94H/V	7 <sup>1</sup> / <sub>2</sub> J x 17	47	No	Tyre makes recommended by Volkswagen: ♦ Summer tyres ⇒ <a href="#">page 516</a> ♦ All-season tyres ⇒ <a href="#">page 526</a> ♦ Winter tyres ⇒ <a href="#">page 539</a>
		235/40 R 18 91H/V/W	8 J x 18	44	No	
		235/35 R 19 91Y	8 J x 19	44	No	
	Winter tyres	205/55 R 16 91H/V	6 <sup>1</sup> / <sub>2</sub> J x 16	42	Yes	
		205/50 R 17 93H/V	6 J x 17	45	Yes	
1.8l 112 kW; 1.8l 118 kW 1.4l 110 kW EcoFuel 2.0l 100 kW TDI diesel engine	Standard tyres	205/55 R 16 91V	6 <sup>1</sup> / <sub>2</sub> J x 16	42	Yes	
	Modification	215/55 R 16 93V	6 <sup>1</sup> / <sub>2</sub> J x 16	42	No	
		205/55 R 16 91V	7 J x 16	45	No	
		215/55 R 16 93V	7 J x 16	45	No	
		235/45 R 17 94V	7 <sup>1</sup> / <sub>2</sub> J x 17	47	No	
		235/40 R 18 91V/W	8 J x 18	44	No	
		235/35 R 19 91Y	8 J x 19	44	No	
	Winter tyres	205/55 R 16 91H/V	6 <sup>1</sup> / <sub>2</sub> J x 16	42	Yes	
		205/50 R 17 93H/V	6 J x 17	45	Yes	
2.0l 103 kW TDI 2.0l 125 kW TDI diesel engines	Standard tyres	205/55 R 16 94V	6 <sup>1</sup> / <sub>2</sub> J x 16	42	Yes	
	Modification	215/55 R 16 93V	6 <sup>1</sup> / <sub>2</sub> J x 16	42	No	
		205/55 R 16 93V	7 J x 16	45	No	
		215/55 R 16 93V	7 J x 16	45	No	
		235/45 R 17 94V	7 <sup>1</sup> / <sub>2</sub> J x 17	47	No	
		235/40 R 18 95V/W	8 J x 18	44	No	
		235/35 R 19 91Y	8 J x 19	44	No	
	Winter tyres	205/55 R 16 94H/V	6 <sup>1</sup> / <sub>2</sub> J x 16	42	Yes	
		205/50 R 17 93H/V	6 J x 17	45	Yes	
	2.0l 155 kW petrol engine	Standard tyres	215/55 R 16 93W	7 J x 16	45	
Modification		215/55 R 16 93W	6 <sup>1</sup> / <sub>2</sub> J x 16	42	No	
		235/45 R 17 94W	7 <sup>1</sup> / <sub>2</sub> J x 17	47	No	
		235/40 R 18 91Y	8 J x 18	44	No	
		235/40 R 18 95V/W	8 J x 18	44	No	
		235/35 R 19 91Y	8 J x 19	44	No	
Winter tyres		205/50 R 17 93H/V	6 J x 17	45	Yes	
3.2l 184 kW petrol engine	Standard tyres	235/45 R 17 94W	7 <sup>1</sup> / <sub>2</sub> J x 17	47	No	
	Modification	235/40 R 18 91Y	8 J x 18	44	No	





Model engine output	Tyres	Tyre size	Wheel rim	Off-set in mm	Snow chains	Remarks
		235/40 R 18 95W	8 J x 18	44	No	
	Winter tyres	205/50 R 17 93H/V	6 J x 17	45	Yes	





## 45 Passat Variant from model year 2011

### General

Volkswagen vehicles are built according to the latest findings in safety engineering. To keep it that way, we recommend the use of only genuine Volkswagen spare parts. You can recognise this by the VW Audi logo and by the part number. It has been established that these parts are reliable, safe and suitable.

Despite constant appraisal of the market, we cannot assess other products on these points, even when in isolated cases they have been passed by official inspectors or have been granted official approval. Therefore, we cannot, of course, assume any liability if these products are installed.



#### WARNING

*The products from Volkswagen genuine parts and Votex genuine accessories may differ in fitting requirements, torque specifications and so on.*

*Always follow the respective fitting and operating instructions.*

The wheel and tyre combinations or changes listed in the vehicle tables refer exclusively to Volkswagen Genuine wheels. Approval of wheel and tyre combinations or a change to wheels from the accessories trade is not possible with the certificate statement attached here.



#### WARNING

*The fitting instructions and torque specifications for wheels from Votex genuine accessories may differ from those intended for wheels from Volkswagen genuine parts.*

*Therefore, always observe the torque settings for the wheel bolts as well as the respective fitting and operating instructions.*

### 45.1 Advanced information on Passat Variant, type 3AA model year 2011

#### Overview

Model engine output	Tyres	Tyre size	Wheel rim	Offset in mm	Snow chains	Remarks
1.4l 90 kW petrol engine 1.6l 77 kW TDI diesel engine	Standard tyres	205/55 R 16 91H	6 <sup>1</sup> / <sub>2</sub> J x 16	42	Yes	General information on: ◆ Winter tyres ⇒ <a href="#">page 14</a> ◆ Snow chains ⇒ <a href="#">page 17</a> Tyre makes recommended by Volkswagen:
	Modification	215/55 R 16 93H/V	6 <sup>1</sup> / <sub>2</sub> J x 16	42	No	
		205/55 R 16 91H/V	7 J x 16	45	No	
		215/55 R 16 93H/V	7 J x 16	45	No	



Model engine output	Tyres	Tyre size	Wheel rim	Off-set in mm	Snow chains	Remarks
		235/45 R 17 94H/V	7 <sup>1</sup> / <sub>2</sub> J x 17	47	No	Tyre makes recommended by Volkswagen: ◆ Summer tyres ⇒ <a href="#">page 517</a> ◆ All-season tyres ⇒ <a href="#">page 526</a> ◆ Winter tyres ⇒ <a href="#">page 540</a>
		235/40 R 18 91H/V/W	8 J x 18	44	No	
		235/35 R 19 91Y	8 J x 19	44	No	
	Winter tyres	205/55 R 16 91H/V	6 <sup>1</sup> / <sub>2</sub> J x 16	42	Yes	
		205/50 R 17 93H/V	6 J x 17	45	Yes	
1.8l 112 kW; 1.8l 118 kW 1.4l 110 kW EcoFuel 2.0l 100 kW TDI diesel engine 2.0l 103 kW TDI diesel engine with front-wheel drive	Standard tyres	205/55 R 16 91V	6 <sup>1</sup> / <sub>2</sub> J x 16	42	Yes	
	Modification	215/55 R 16 93V	6 <sup>1</sup> / <sub>2</sub> J x 16	42	No	
		205/55 R 16 91V	7 J x 16	45	No	
		215/55 R 16 93V	7 J x 16	45	No	
		235/45 R 17 94V	7 <sup>1</sup> / <sub>2</sub> J x 17	47	No	
		235/40 R 18 91V/W	8 J x 18	44	No	
		235/35 R 19 91Y	8 J x 19	44	No	
	Winter tyres	205/55 R 16 91H/V	6 <sup>1</sup> / <sub>2</sub> J x 16	42	Yes	
		205/50 R 17 93H/V	6 J x 17	45	Yes	
2.0l 103 kW TDI diesel engine with automatic gearbox and four- wheel drive 2.0l 125 kW TDI diesel engine	Standard tyres	205/55 R 16 94V	6 <sup>1</sup> / <sub>2</sub> J x 16	42	Yes	
	Modification	215/55 R 16 93V	6 <sup>1</sup> / <sub>2</sub> J x 16	42	No	
		205/55 R 16 93V	7 J x 16	45	No	
		215/55 R 16 93V	7 J x 16	45	No	
		235/45 R 17 94V	7 <sup>1</sup> / <sub>2</sub> J x 17	47	No	
		235/40 R 18 95V/W	8 J x 18	44	No	
		235/35 R 19 91Y	8 J x 19	44	No	
	Winter tyres	205/55 R 16 94H/V	6 <sup>1</sup> / <sub>2</sub> J x 16	42	Yes	
		205/50 R 17 93H/V	6 J x 17	45	Yes	
2.0l 155 kW petrol engine	Standard tyres	215/55 R 16 93V	7 J x 16	45	No	
	Modification	215/55 R 16 93W	6 <sup>1</sup> / <sub>2</sub> J x 16	42	No	
		235/45 R 17 94W	7 <sup>1</sup> / <sub>2</sub> J x 17	47	No	
		235/40 R 18 91Y	8 J x 18	44	No	
		235/40 R 18 95V/W	8 J x 18	44	No	



Model engine output	Tyres	Tyre size	Wheel rim	Off-set in mm	Snow chains	Remarks
		235/35 R 19 91Y	8 J x 19	44	No	
	Winter tyres	205/50 R 17 93H/V	6 J x 17	45	Yes	
3.2l 184 kW petrol engine	Standard tyres	235/45 R 17 94W	7 <sup>1</sup> / <sub>2</sub> J x 17	47	No	
	Modification	235/40 R 18 91Y	8 J x 18	44	No	
		235/40 R 18 95W	8 J x 18	44	No	
	Winter tyres	205/50 R 17 93H/V	6 J x 17	45	Yes	





## 46 Passat CC from model year 2009

### General

Volkswagen vehicles are built according to the latest findings in safety engineering. To keep it that way, we recommend the use of only genuine Volkswagen spare parts. You can recognise this by the VW Audi logo and by the part number. It has been established that these parts are reliable, safe and suitable.

Despite constant appraisal of the market, we cannot assess other products on these points, even when in isolated cases they have been passed by official inspectors or have been granted official approval. Therefore, we cannot, of course, assume any liability if these products are installed.



#### WARNING

*The products from Volkswagen genuine parts and Votex genuine accessories may differ in fitting requirements, torque specifications and so on.*

*Always follow the respective fitting and operating instructions.*

The wheel and tyre combinations or changes listed in the vehicle tables refer exclusively to Volkswagen Genuine wheels. Approval of wheel and tyre combinations or a change to wheels from the accessories trade is not possible with the certificate statement attached here.



#### WARNING

*The fitting instructions and torque specifications for wheels from Votex genuine accessories may differ from those intended for wheels from Volkswagen genuine parts.*

*Therefore, always observe the torque settings for the wheel bolts as well as the respective fitting and operating instructions.*

### 46.1 Passat CC, sales type 357 model year 2009



#### Caution

*The Passat CC will be listed according to the sales types and not by the type approval model codes.*

*The type approval model code and the associated type approval number are listed as follows.*

#### Passat CC, type approval code 3CC

Appendix to certificate statement 8106807190

The certificate statement can be found on the Volkswagen ServiceNet under Accessories/Tyres, Wheels and Tyres, Wheels and Tyres Guide.



Type Approval No.: e1\*2001/116\*0468\*00 to  
e1\*2001/116\*0468\*02

### Overview

Model engine output	Tyres	Tyre size	Wheel rim	Off-set in mm	Snow chains	Remarks
1.8l 118 kW; petrol engine 2.0l 100 kW TDI 2.0l 103 kW TDI 2.0l 125 kW TDI diesel engines	Standard tyres	235/45 R 17 94V	8 J x 17 ⇒ <a href="#">page 463</a>	41	No	General information on: ◆ Winter tyres ⇒ <a href="#">page 14</a> ◆ Snow chains ⇒ <a href="#">page 17</a>  Tyre makes recommended by Volkswagen: ◆ Summer tyres ⇒ <a href="#">page 518</a> ◆ All-season tyres ⇒ <a href="#">page 527</a> ◆ Winter tyres ⇒ <a href="#">page 540</a>
	Modification	235/40 R 18 95V	8 J x 18 ⇒ <a href="#">page 464</a>	41	No	
	Winter tyres	205/50 R 17 93H/V	6 <sup>1</sup> / <sub>2</sub> J x 17 ⇒ <a href="#">page 462</a>	39	Yes	
2.0l 147 kW; 3.6l 220 kW petrol engine	Standard tyres	235/45 R 17 94W	8 J x 17 ⇒ <a href="#">page 463</a>	41	No	◆ * 235/40 R 18 95 W tyres on 8 J x 18 rims with an offset of 44 may be used instead of 235/40 R 18 95Y tyres on 8 J x 18 rims with an offset of 44. Observe authorisation by Kraftfahrt-Bundesamtes (German road traffic authority) „Authorisation of 95W tyres for Passat CC“. This is located on the Volkswagen ServiceNet under Accessories/ Tyres, Wheels and Tyres, Wheels and Tyres Guide.
	Modification	235/40 R 18 95Y* ⇒ <a href="#">page 460</a>	8 J x 18 ⇒ <a href="#">page 464</a>	41	No	
	Winter tyres	205/50 R 17 93H/V	6 <sup>1</sup> / <sub>2</sub> J x 17 ⇒ <a href="#">page 462</a>	39	Yes	

Tyre inflation pressures are located on a sticker in fuel tank flap or in ⇒ Maintenance ; Booklet ; Check tyres: condition, profile, inflation pressure, depth of tread .



## 46.2 Passat CC, sales type 357 model year 2010 to model year 2011



### Caution

*The Passat CC will be listed according to the sales types and not by the type approval model codes.*

*The type approval model code and the associated type approval number are listed as follows.*

### Passat CC, type approval code 3CC

Appendix to certificate statement 8106807190

The certificate statement can be found on the Volkswagen ServiceNet under Accessories/Tyres, Wheels and Tyres, Wheels and Tyres Guide.

Type Approval No.: 1\*2001/116\*0468\*03 to  
e1\*2001/116\*0468\*07

### Overview

Model engine output	Tyres	Tyre size	Wheel rim	Off-set in mm	Snow chains	Remarks
1.8l 118 kW; petrol engine 2.0l 100 kW TDI 2.0l 103 kW TDI 2.0l 105 kW TDI 2.0l 125 kW TDI diesel engines	Standard tyres	235/45 R 17 94V	8 J x 17 ⇒ <a href="#">page 463</a>	41	No	General information on: ◆ Winter tyres ⇒ <a href="#">page 14</a> ◆ Snow chains ⇒ <a href="#">page 17</a>
	Modification	235/40 R 18 95V	8 J x 18 ⇒ <a href="#">page 464</a>	41	No	Tyre makes recommended by Volkswagen: ◆ Summer tyres ⇒ <a href="#">page 518</a> ◆ All-season tyres ⇒ <a href="#">page 527</a> ◆ Winter tyres ⇒ <a href="#">page 540</a>



Model engine output	Tyres	Tyre size	Wheel rim	Off-set in mm	Snow chains	Remarks
2.0l 147 kW; 3.6l 220 kW petrol engine	Winter tyres	235/35 R 19 91Y* ⇒ <a href="#">page 462</a>	8 J x 19 ⇒ <a href="#">page 465</a>	41	No	♦ * The 235/35 R 19 91Y and 8 J x 19 off-set 41 wheel and tyre combination is permitted only on vehicles with sports running gear!
		205/50 R 17 93H/V	6 <sup>1</sup> / <sub>2</sub> J x 17 ⇒ <a href="#">page 462</a>	39	Yes	
	Standard tyres	235/45 R 17 94W	8 J x 17 ⇒ <a href="#">page 463</a>	41	No	
	Modification	235/40 R 18 95W	8 J x 18 ⇒ <a href="#">page 464</a>	41	No	
		235/35 R 19 91Y* ⇒ <a href="#">page 462</a>	8 J x 19 ⇒ <a href="#">page 465</a>	41	No	
	Winter tyres	205/50 R 17 93H/V	6 <sup>1</sup> / <sub>2</sub> J x 17 ⇒ <a href="#">page 462</a>	39	Yes	

Tyre inflation pressures are located on a sticker in fuel tank flap or in ⇒ Maintenance ; Booklet ; Check tyres: condition, profile, inflation pressure, depth of tread .

### 46.3 Wheel allocation for Passat CC, sales type 357 model year 2009 to model year 2011

Passat CC, type approval code 3CC

Explanation of information on wheels ⇒ [page 58](#)

Torque settings for wheel bolts ⇒ Running gear, axles, steering;  
Rep. gr. 44 ; Torque settings for fitting wheels

Pitch circle diameter: 112 mm

Number of wheel bolt holes: 5

#### 46.3.1 6<sup>1</sup>/<sub>2</sub> J x 17



**Caution**

*Observe the allocation of wheels and tyres to the respective engines, which are listed in the overview table ⇒ [page 460](#) .*






Winter wheel

3C8 601 025 F - Wheel and tyre combination ⇒ [page 460](#)

Size:	6 <sup>1</sup> / <sub>2</sub> J x 17
Wheel offset in mm:	39
Wheel load in kg:	625

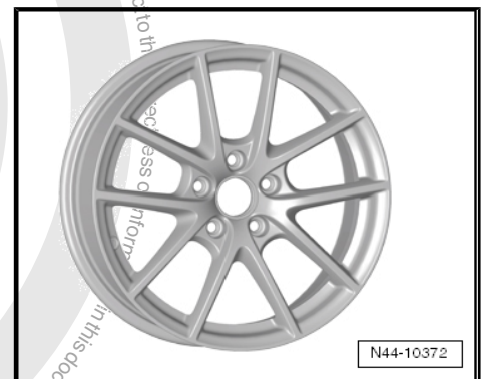


46.3.2 8 J x 17

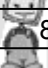
 **Caution**  
*Observe the allocation of wheels and tyres to the respective engines, which are listed in the overview table ⇒ [page 460](#) .*

3C8 601 025 - Wheel and tyre combination ⇒ [page 460](#)

Size:	8 J x 17
Wheel offset in mm:	41
Wheel load in kg:	625



3C8 601 025 A - Wheel and tyre combination ⇒ [page 460](#)

Size:	 8 J x 17
Wheel offset in mm:	41
Wheel load in kg:	625





**3C8 601 025 K - Wheel and tyre combination ⇒ page 460**

Size:	8 J x 17
Wheel offset in mm:	41
Wheel load in kg:	625



**1K8 601 025 D - Wheel and tyre combination ⇒ page 460**

Size:	8 J x 17
Wheel offset in mm:	41
Wheel load in kg:	650



**46.3.3 8 J x 18**

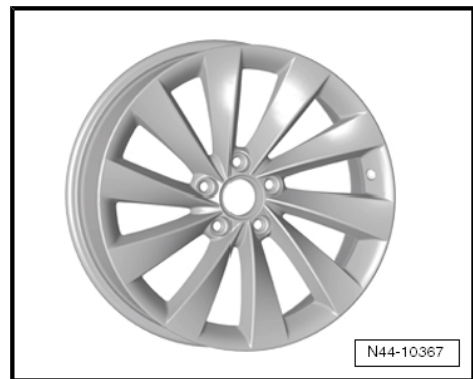


**Caution**

*Observe the allocation of wheels and tyres to the respective engines, which are listed in the overview table ⇒ page 460 .*

**3C8 601 025 D - Wheel and tyre combination ⇒ page 460**

Size:	8 J x 18
Wheel offset in mm:	41
Wheel load in kg:	625



**3C8 601 025 E - Wheel and tyre combination ⇒ page 460**

Size:	8 J x 18
Wheel offset in mm:	41
Wheel load in kg:	625





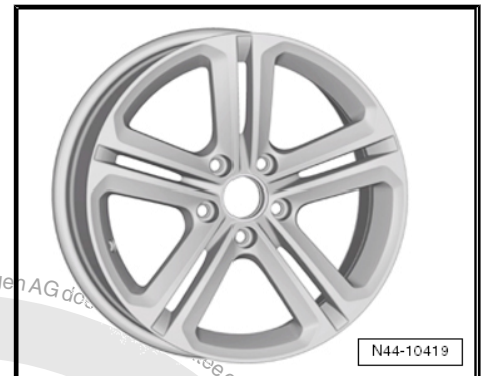
**3C8 601 025 G - Wheel and tyre combination ⇒ page 460**

Size:	8 J x 18
Wheel offset in mm:	41
Wheel load in kg:	650



**1K8 601 025 E - Wheel and tyre combination ⇒ page 460**

Size:	8 J x 18
Wheel offset in mm:	41
Wheel load in kg:	650



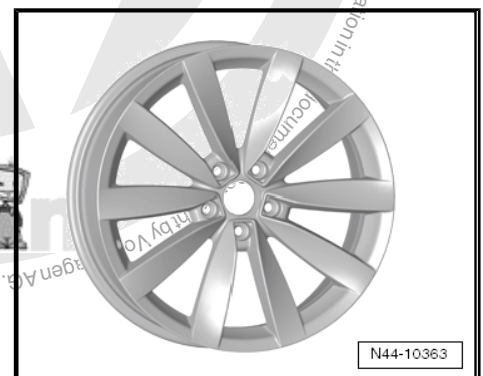
**46.3.4 8 J x 19**

**!** **Caution**  
*Observe the allocation of wheels and tyres to the respective engines, which are listed in the overview table ⇒ page 460 .*

**!** **WARNING**  
*The 235/35 R 19 91Y and 8 J x 19 offset 41 wheel and tyre combination is permitted only on vehicles with sports running gear!*

**1K8 601 025 C - Wheel and tyre combination ⇒ page 462**

Size:	8 J x 19
Wheel offset in mm:	41
Wheel load in kg:	650





## 47 Phaeton from model year 2003

### General

Volkswagen vehicles are built according to the latest findings in safety engineering. To keep it that way, we recommend the use of only genuine Volkswagen spare parts. You can recognise this by the VW Audi logo and by the part number. It has been established that these parts are reliable, safe and suitable.

Despite constant appraisal of the market, we cannot assess other products on these points, even when in isolated cases they have been passed by official inspectors or have been granted official approval. Therefore, we cannot, of course, assume any liability if these products are installed.



#### WARNING

*The products from Volkswagen genuine parts and Votex genuine accessories may differ in fitting requirements, torque specifications and so on.*

*Always follow the respective fitting and operating instructions.*

The wheel and tyre combinations or changes listed in the vehicle tables refer exclusively to Volkswagen Genuine wheels. Approval of wheel and tyre combinations or a change to wheels from the accessories trade is not possible with the certificate statement attached here.



#### WARNING

*The fitting instructions and torque specifications for wheels from Votex genuine accessories may differ from those intended for wheels from Volkswagen genuine parts.*

*Therefore, always observe the torque settings for the wheel bolts as well as the respective fitting and operating instructions.*

### 47.1 Phaeton, type 3D model year 2003 to model year 2009 - short and long wheelbase

Appendix to certificate statement 8106807143

The certificate statement can be found on the Volkswagen ServiceNet under Accessories/Tyres, Wheels and Tyres, Wheels and Tyres Guide.

Type approval number: e1\*98/14\*0189\*00 to e1\*98/14\*0189\*03

Type approval number: e1\*2001/116\*0189\*04 to e1\*2001/116\*0189\*14

#### Overview

Model engine output	Tyres	Tyre size	Wheel rim	Off-set in mm	Snow chains	Remarks
3.2l V6 177 kW front-wheel drive	Standard tyres	235/60 R 16 100Y	7 <sup>1</sup> / <sub>2</sub> J x 16 ⇒ <a href="#">page 471</a>	40	Yes	Snow chains: Only snow chains listed in ⇒ Electronic parts catalogue „ET-KA - Accessories catalogue“ are permissible!



Model engine output	Tyres	Tyre size	Wheel rim	Off-set in mm	Snow chains	Remarks
	Modification	235/55 R 17 99Y	7 1/2 J x 17 ⇒ <a href="#">page 471</a>	40	Yes	<p>General information on:</p> <ul style="list-style-type: none"> <li>◆ Winter tyres ⇒ <a href="#">page 14</a></li> <li>◆ Snow chains ⇒ <a href="#">page 17</a></li> </ul> <p>Tyre makes recommended by Volkswagen:</p> <ul style="list-style-type: none"> <li>◆ Summer tyres ⇒ <a href="#">page 518</a></li> <li>◆ All-season tyres ⇒ <a href="#">page 527</a></li> <li>◆ Winter tyres ⇒ <a href="#">page 541</a></li> </ul> <p>Winter tyres with „V-rating“ ⇒ <a href="#">page 15</a></p> <p>* 275/40 R 19 105Y tyres on 9 J x 19 rims with an offset of 35 are only permitted if the specified conditions are fulfilled! ⇒ <a href="#">page 476</a></p>
		235/50 R 18 101Y	7 1/2 J x 18 ⇒ <a href="#">page 472</a>	40	Yes	
		255/45 R 18 103Y	8 1/2 J x 18 ⇒ <a href="#">page 473</a>	45	No	
		255/40 R 19 100Y	8 1/2 J x 19 ⇒ <a href="#">page 475</a>	45	No	
		255/40 R 19 100Y	9 J x 19 ⇒ <a href="#">page 477</a>	40	No	
		275/40 R 19 105Y* ⇒ <a href="#">page 467</a>	9 J x 19 ⇒ <a href="#">page 476</a>	35	No	
		Winter tyres	235/60 R 16 100H/V	7 1/2 J x 16 ⇒ <a href="#">page 471</a>	40	
		235/55 R 17 99H/V	7 1/2 J x 17 ⇒ <a href="#">page 471</a>	40	Yes	
3.2l V6 177 kW four-wheel drive;	Standard tyres	235/55 R 17 99Y	7 1/2 J x 17 ⇒ <a href="#">page 471</a>	40	Yes	<p>Tyre fitting ⇒ <a href="#">page 468</a> : Before fitting tyres, please observe fitting instructions in ⇒ Running gear, axles, steering; Rep. gr. 44</p>
3.0l V6 TDI 165 kW; 3.0l V6 TDI 171 kW; 3.0l V6 TDI 176 kW; 4.2l V8 246 kW	Modification	235/50 R 18 101Y	7 1/2 J x 18 ⇒ <a href="#">page 472</a>	40	Yes	



Model engine output	Tyres	Tyre size	Wheel rim	Off-set in mm	Snow chains	Remarks	
		255/45 R 18 103Y	8 <sup>1</sup> / <sub>2</sub> J x 18 ⇒ <a href="#">page 473</a>	45	No	On vehicles with tyre pressure control, the tyre inflation pressure has to be re-saved or matched when changing over between summer and winter tyres ⇒ Running gear, axles, steering; Rep. gr. 44	
		255/40 R 19 100Y	8 <sup>1</sup> / <sub>2</sub> J x 19 ⇒ <a href="#">page 475</a>	45	No		
		255/40 R 19 100Y	9 J x 19 ⇒ <a href="#">page 477</a>	40	No		
		275/40 R 19 105Y* ⇒ <a href="#">page 468</a>	9 J x 19 ⇒ <a href="#">page 476</a>	35	No		* 275/40 R 19 105Y tyres on 9 J x 19 rims with an offset of 35 are only permitted if the specified conditions are fulfilled! ⇒ <a href="#">page 476</a>
	Winter tyres	235/55 R 17 99H/V	7 <sup>1</sup> / <sub>2</sub> J x 17 ⇒ <a href="#">page 471</a>	40	Yes		
		235/50 R 18 101H/V	7 <sup>1</sup> / <sub>2</sub> J x 18 ⇒ <a href="#">page 472</a>	40	Yes		
6.0l W12 309 kW; 6.0l W12 331 kW petrol engines  5.0l V10 TDI 230 kW diesel engine	Standard tyres	235/50 R 18 101Y	7 <sup>1</sup> / <sub>2</sub> J x 18 ⇒ <a href="#">page 472</a>	40	Yes	* 275/40 R 19 105Y tyres on 9 J x 19 rims with an offset of 35 are only permitted if the specified conditions are fulfilled! ⇒ <a href="#">page 476</a>	
	Modification	255/45 R 18 103Y	8 <sup>1</sup> / <sub>2</sub> J x 18 ⇒ <a href="#">page 473</a>	45	No		
		275/40 R 19 105Y* ⇒ <a href="#">page 468</a>	9 J x 19 ⇒ <a href="#">page 476</a>	35	No		
	Winter tyres	235/50 R 18 101H/V	7 <sup>1</sup> / <sub>2</sub> J x 18 ⇒ <a href="#">page 472</a>	40	Yes		

Tyre inflation pressures are located on a sticker in fuel tank flap or in ⇒ Maintenance ; Booklet ; Check tyres: condition, profile, inflation pressure, depth of tread .

- If the vehicle has a tyre pressure monitoring system, check remaining battery life of the tyre pressure sensors before fitting tyres with ⇒ Vehicle diagnostic, testing and information system VAS 5051.



## 47.2 Phaeton, type 3D and type 3d, model year 2010 to model year 2011 - short and long wheelbase

Appendix to certificate statement 8106807143

The certificate statement can be found on the Volkswagen ServiceNet under Accessories/Tyres, Wheels and Tyres, Wheels and Tyres Guide.

Type Approval No. for type 3D: e1\*2001/116\*0189\*15 to e1\*2001/116\*0189\*18

Type Approval No. for type 3d: DE\*2007/46\*0452\*00

### Overview

Model engine output	Tyres	Tyre size	Wheel rim	Off-set in mm	Snow chains	Remarks
3.6l V6 206 kW; 4.2l V8 246 kW petrol engines	Standard tyres	235/55 R 17 99Y	7½ J x 17 ⇒ <a href="#">page 471</a>	40	Yes	Snow chains: Only snow chains listed in ⇒ Electronic parts catalogue „ET-KA - Accessories catalogue“ are permissible!
	3.0l V6 TDI 176 kW diesel engine	Modification	235/50 R 18 101Y	7½ J x 18 ⇒ <a href="#">page 472</a>	40	Yes
		255/45 R 18 103Y	8½ J x 18 ⇒ <a href="#">page 473</a>	45	No	Tyre makes recommended by Volkswagen: ◆ Summer tyres ⇒ <a href="#">page 518</a> ◆ All-season tyres ⇒ <a href="#">page 527</a> ◆ Winter tyres ⇒ <a href="#">page 541</a>
		245/45 R 19 102Y	8½ J x 19 ⇒ <a href="#">page 475</a>	38	No	Winter tyres with „V-rating“ ⇒ <a href="#">page 15</a>
		255/40 R 19 100Y	8½ J x 19 ⇒ <a href="#">page 475</a>	38	No	
		255/40 R 19 100Y	8½ J x 19 ⇒ <a href="#">page 475</a>	45	No	
		255/40 R 19 100Y	9 J x 19 ⇒ <a href="#">page 477</a>	40	No	
		275/40 R 19 105Y* ⇒ <a href="#">page 469</a>	9 J x 19 ⇒ <a href="#">page 476</a>	35	No	* 275/40 R 19 105Y tyres on 9 J x 19 rims with an offset of 35 are only permitted if the specified conditions are fulfilled! ⇒ <a href="#">page 476</a>



Model engine output	Tyres	Tyre size	Wheel rim	Off-set in mm	Snow chains	Remarks
6.0l W12 331 kW petrol engine with 18" steel brakes (brake disc Ø: 365 mm)	Winter tyres	235/55 R 17 99H/V	7 <sup>1</sup> / <sub>2</sub> J x 17 ⇒ <a href="#">page 471</a>	40	Yes	Tyre fitting ⇒ <a href="#">page 470</a> : Before fitting tyres, please observe fitting instructions in ⇒ Running gear, axles, steering; Rep. gr. 44
		235/50 R 18 101H/V	7 <sup>1</sup> / <sub>2</sub> J x 18 ⇒ <a href="#">page 472</a>	40	Yes	
	Standard tyres	235/50 R 18 101Y	7 <sup>1</sup> / <sub>2</sub> J x 18 ⇒ <a href="#">page 472</a>	40	Yes	* 275/40 R 19 105Y tyres on 9 J x 19 rims with an offset of 35 are only permitted if the specified conditions are fulfilled! ⇒ <a href="#">page 476</a>
	Modification	245/45 R 19 102Y	8 <sup>1</sup> / <sub>2</sub> J x 19 ⇒ <a href="#">page 475</a>	38	No	
		255/45 R 18 103Y	8 <sup>1</sup> / <sub>2</sub> J x 18 ⇒ <a href="#">page 473</a>	45	No	
	275/40 R 19 105Y* ⇒ <a href="#">page 470</a>	9 J x 19 ⇒ <a href="#">page 476</a>	35	No		
	Winter tyres	235/50 R 18 101H/V	7 <sup>1</sup> / <sub>2</sub> J x 18 ⇒ <a href="#">page 472</a>	40	Yes	
6.0l W12 331 kW petrol engine with 19" ceramic brakes (brake disc Ø: 380 mm)	Standard tyres	245/45 R 19 102Y	8 <sup>1</sup> / <sub>2</sub> J x 19 ⇒ <a href="#">page 475</a>	38	Yes	No changes are permissible apart from the standard wheel and tyre combinations!
	Modification					

Tyre inflation pressures are located on a sticker in fuel tank flap or in ⇒ Maintenance ; Booklet ; Check tyres: condition, profile, inflation pressure, depth of tread .

- If the vehicle has a tyre pressure monitoring system, check remaining battery life of the tyre pressure sensors before fitting tyres with ⇒ Vehicle diagnostic, testing and information system VAS 5051.





### 47.3 Wheel allocation for Phaeton, type 3D and type 3d, model year 2003 to model year 2011 - short and long wheelbase

Explanation of information on wheels ⇒ [page 58](#)

Torque specifications for wheel bolts ⇒ Running gear, axles, steering - front and four-wheel drive; Rep. gr. 44 ; Fitting wheels and tyres; Fitting wheels

Pitch circle diameter: 112 mm  
Number of wheel bolt holes: 5

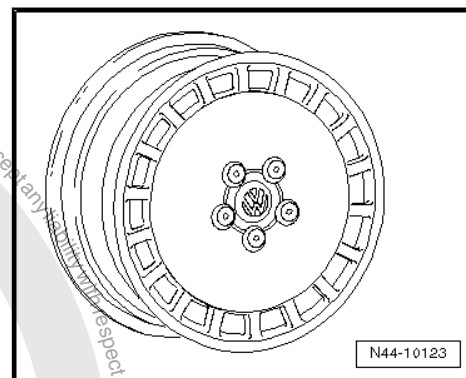
#### 47.3.1 7<sup>1</sup>/<sub>2</sub> J x 16

	<b>Caution</b>
<i>Observe the allocation of wheels and tyres to the respective engines, which are listed in the overview table ⇒ <a href="#">page 466</a> .</i>	

3D0 601 025 - Wheel and tyre combination ⇒ [page 466](#)

Only for vehicles to maximum permissible axle load of 1,400 kg

Size:	7 <sup>1</sup> / <sub>2</sub> J x 16
Wheel offset in mm:	40
Wheel load in kg:	700



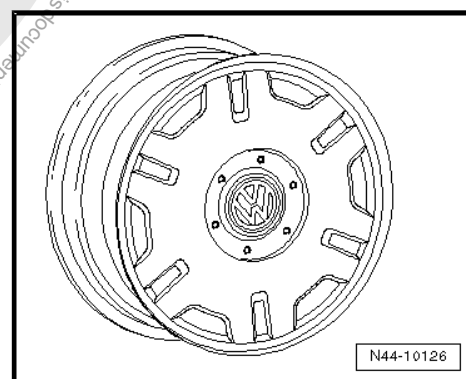
#### 47.3.2 7<sup>1</sup>/<sub>2</sub> J x 17

	<b>Caution</b>
<i>Observe the allocation of wheels and tyres to the respective engines, which are listed in the overview table ⇒ <a href="#">page 466</a> .</i>	

Front-wheel drive and 4Motion

3D0 601 025 G - Wheel and tyre combination ⇒ [page 467](#)

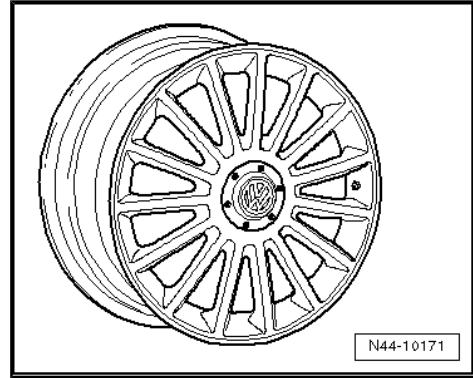
Size:	7 <sup>1</sup> / <sub>2</sub> J x 17
Wheel offset in mm:	40
Wheel load in kg:	830





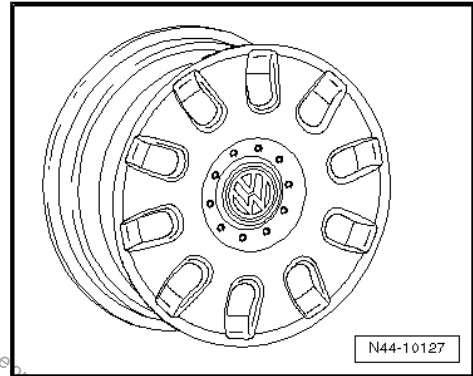
**3D0 601 025 L, 3D0 601 025 AC - Wheel and tyre combination**  
⇒ [page 467](#)

Size:	7 <sup>1</sup> / <sub>2</sub> J x 17
Wheel offset in mm:	40
Wheel load in kg:	835



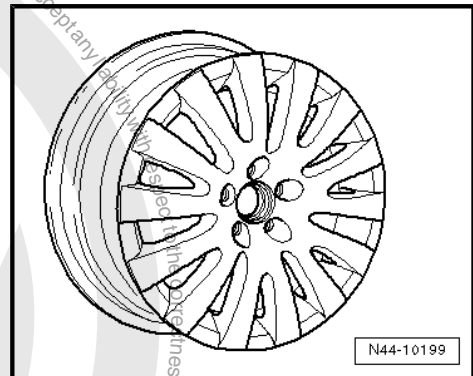
**3D0 601 025 M - Wheel and tyre combination** ⇒ [page 467](#)

Size:	7 <sup>1</sup> / <sub>2</sub> J x 17
Wheel offset in mm:	40
Wheel load in kg:	835



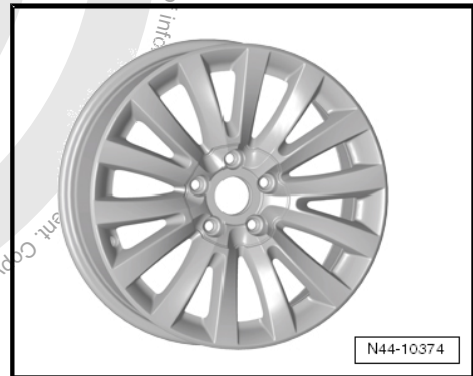
**3D0 601 025 AA - Wheel and tyre combination** ⇒ [page 467](#)

Size:	7 <sup>1</sup> / <sub>2</sub> J x 17
Wheel offset in mm:	40
Wheel load in kg:	840



**3D0 601 025 AN - Wheel and tyre combination** ⇒ [page 467](#)

Size:	7 <sup>1</sup> / <sub>2</sub> J x 17
Wheel offset in mm:	40
Wheel load in kg:	840



**47.3.3 7<sup>1</sup>/<sub>2</sub> J x 18**



**Caution**

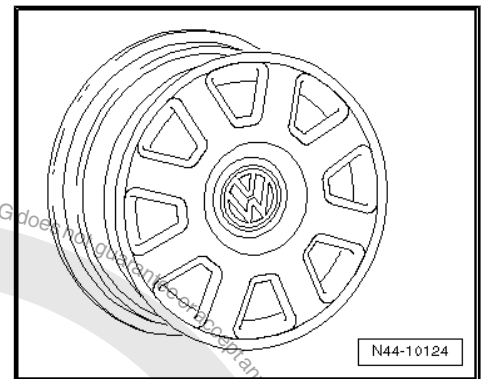
*Observe the allocation of wheels and tyres to the respective engines, which are listed in the overview table ⇒ [page 466](#).*



Front-wheel drive and 4Motion

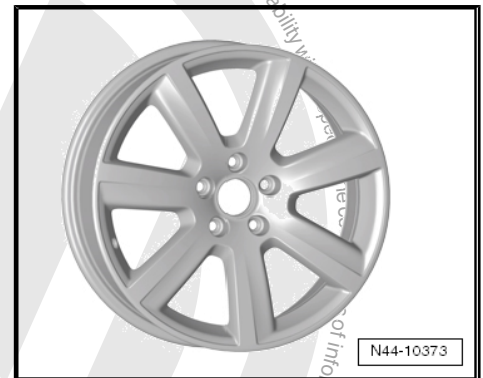
3D0 601 025 B, 3D0 601 025 AG - Wheel and tyre combination  
⇒ [page 467](#)

Size:	7 <sup>1</sup> / <sub>2</sub> J x 18
Wheel offset in mm:	40
Wheel load in kg:	835



3D0 601 025 AM - Wheel and tyre combination ⇒ [page 467](#)

Size:	7 <sup>1</sup> / <sub>2</sub> J x 18
Wheel offset in mm:	40
Wheel load in kg:	840



47.3.4 8<sup>1</sup>/<sub>2</sub> J x 18



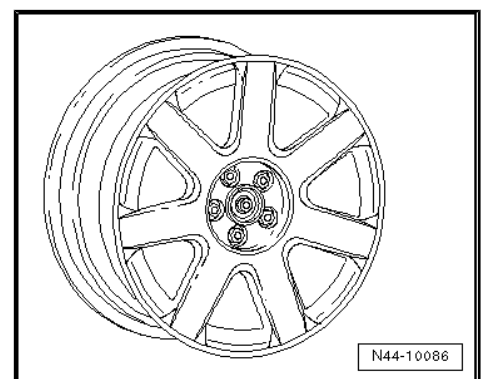
Caution

*Observe the allocation of wheels and tyres to the respective engines, which are listed in the overview table ⇒ [page 466](#).*

Front-wheel drive and 4Motion

3D0 601 025 Q - Wheel and tyre combination ⇒ [page 467](#)

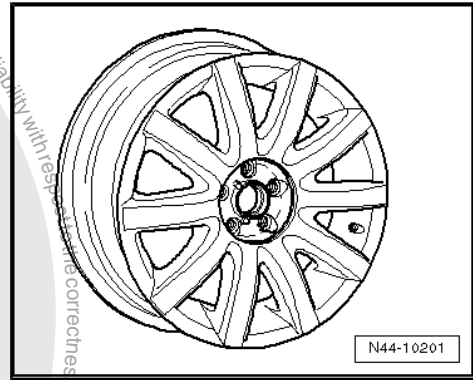
Size:	8 <sup>1</sup> / <sub>2</sub> J x 18
Wheel offset in mm:	45
Wheel load in kg:	835





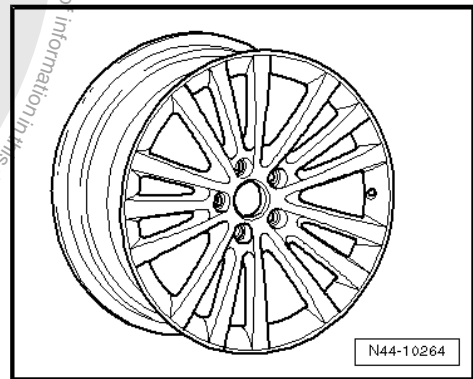
**3D0 601 025 AB - Wheel and tyre combination ⇒ page 467**

Size:	8 <sup>1</sup> / <sub>2</sub> J x 18
Wheel offset in mm:	45
Wheel load in kg:	840



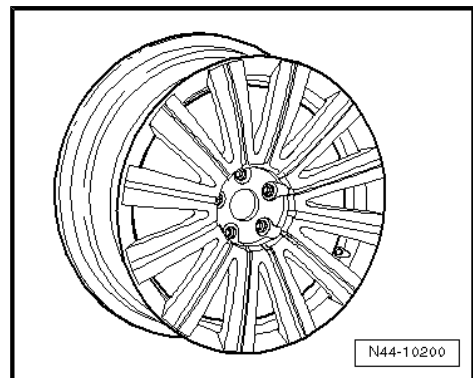
**3D0 601 025 AF - Wheel and tyre combination ⇒ page 467**

Size:	8 <sup>1</sup> / <sub>2</sub> J x 18
Wheel offset in mm:	45
Wheel load in kg:	840



**3D0 601 025 S - Wheel and tyre combination ⇒ page 467**

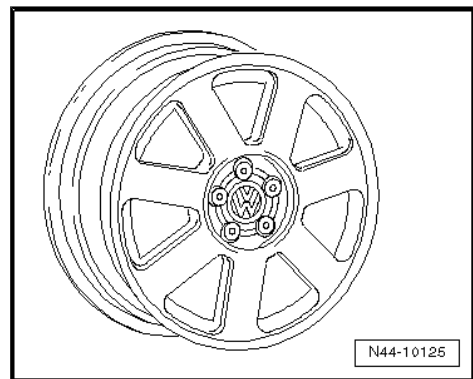
Size:	8 <sup>1</sup> / <sub>2</sub> J x 18
Wheel offset in mm:	45
Wheel load in kg:	840



**3D0 601 025 C, 3D0 601 025 AH - Wheel and tyre combination ⇒ page 467**

Only for vehicles to maximum permissible axle load of 1,550 kg

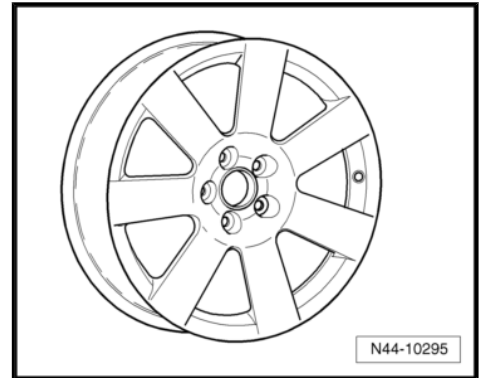
Size:	8 <sup>1</sup> / <sub>2</sub> J x 18
Wheel offset in mm:	45
Wheel load in kg:	775





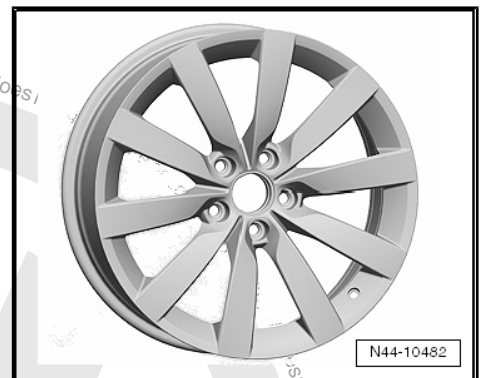
**3D0 601 025 AJ- Wheel and tyre combination ⇒ page 467**

Size:	8 <sup>1</sup> / <sub>2</sub> J x 18
Wheel offset in mm:	45
Wheel load in kg:	835




**3D0 601 025 AQ - Wheel and tyre combination ⇒ page 467**

Size:	8 <sup>1</sup> / <sub>2</sub> J x 18
Wheel offset in mm:	45
Wheel load in kg:	800



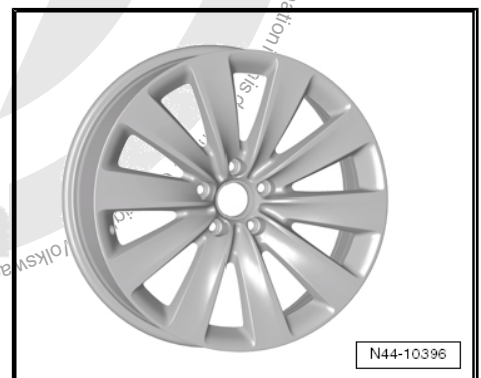
**47.3.5 8<sup>1</sup>/<sub>2</sub> J x 19 offset 38**

 **Caution**


*Observe the allocation of wheels and tyres to the respective engines, which are listed in the overview table ⇒ page 466 .*

**3D0 601 025 AP - Wheel and tyre combination**

Size:	8 <sup>1</sup> / <sub>2</sub> J x 19
Wheel offset in mm:	38
Wheel load in kg:	840



**47.3.6 8<sup>1</sup>/<sub>2</sub> J x 19 offset 45**

 **Caution**

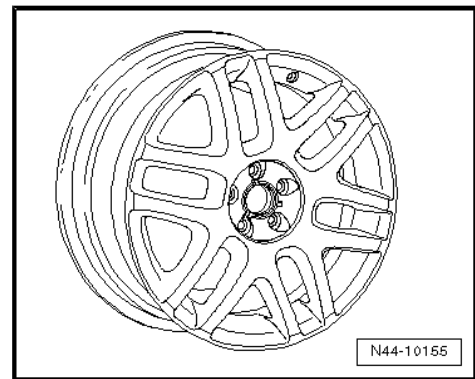
*Observe the allocation of wheels and tyres to the respective engines, which are listed in the overview table ⇒ page 466 .*



### Front-wheel drive and 4Motion

#### 3D0 601 025 J - Wheel and tyre combination ⇒ [page 467](#)

Size:	8 <sup>1</sup> / <sub>2</sub> J x 19
Wheel offset in mm:	45
Wheel load in kg:	835



#### 47.3.7 9 J x 19 offset 35



#### Caution

Observe the allocation of wheels and tyres to the respective engines, which are listed in the overview table ⇒ [page 466](#) .



#### WARNING

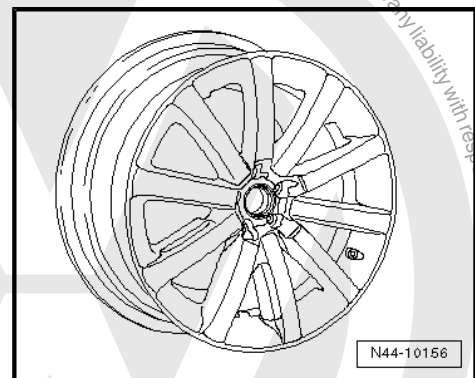
9 J x 19 wheels with offset 35 can only be fitted under the following conditions:

- Fitting of 9 J x 19 wheel rims with offset 35 is only possible with TÜV certificate No. 3758/07.
- The camber on the vehicle must be set to -1°08' on the front axle and -1°30' on the rear axle.

### Front-wheel drive and 4Motion

#### 3D0 601 025 AD - Wheel and tyre combination ⇒ [page 467](#)

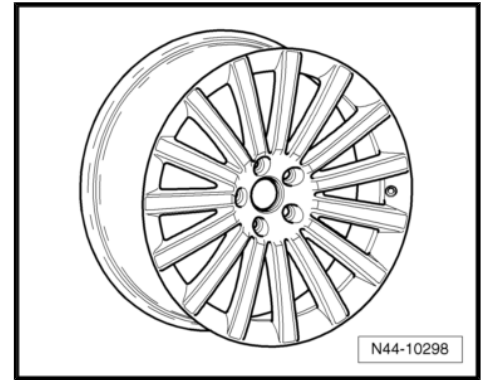
Size:	9 J x 19
Wheel offset in mm:	35
Wheel load in kg:	835





**3D0 601 025 AL - Wheel and tyre combination ⇒ page 467**

Size:	9 J x 19
Wheel offset in mm:	35
Wheel load in kg:	840



**47.3.8 9 J x 19 offset 40**



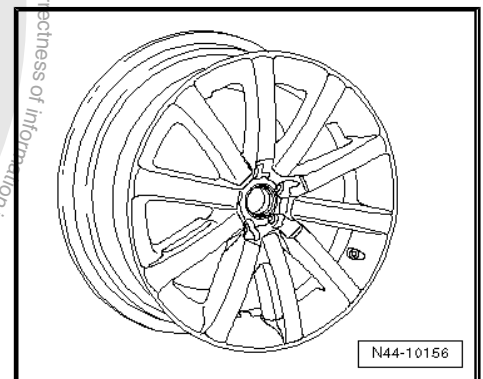
**Caution**

*Observe the allocation of wheels and tyres to the respective engines, which are listed in the overview table ⇒ page 466 .*

Front-wheel drive and 4Motion

**3D0 601 025 P - Wheel and tyre combination ⇒ page 467**

Size:	9 J x 19
Wheel offset in mm:	40
Wheel load in kg:	835





## 48 Sharan from model year 2011

### General

Volkswagen vehicles are built according to the latest findings in safety engineering. To keep it that way, we recommend the use of only genuine Volkswagen spare parts. You can recognise this by the VW Audi logo and by the part number. It has been established that these parts are reliable, safe and suitable.

Despite constant appraisal of the market, we cannot assess other products on these points, even when in isolated cases they have been passed by official inspectors or have been granted official approval. Therefore, we cannot, of course, assume any liability if these products are installed.



#### WARNING

*The products from Volkswagen genuine parts and Votex genuine accessories may differ in fitting requirements, torque specifications and so on.*

*Always follow the respective fitting and operating instructions.*

The wheel and tyre combinations or changes listed in the vehicle tables refer exclusively to Volkswagen Genuine wheels. Approval of wheel and tyre combinations or a change to wheels from the accessories trade is not possible with the certificate statement attached here.



#### WARNING

*The fitting instructions and torque specifications for wheels from Votex genuine accessories may differ from those intended for wheels from Volkswagen genuine parts.*

*Therefore, always observe the torque settings for the wheel bolts as well as the respective fitting and operating instructions.*

### 48.1 Sharan, type 7N, model year 2011

Appendix to certificate statement 8106885366

The certificate statement can be found on the Volkswagen ServiceNet under Accessories/Tyres, Wheels and Tyres, Wheels and Tyres Guide.

Type Approval No.: e1\*2007/46\*0401\*00

#### Overview

Model engine output	Tyres	Tyre size	Wheel rim	Off-set in mm	Snow chains	Remarks
2.0l 100 kW TDI 2.0l 103 kW TDI diesel engine	Standard tyres	205/60 R 16 96H	6 <sup>1</sup> / <sub>2</sub> J x 16  ⇒ <a href="#">page 479</a>	33	Yes	General information on: ◆ Winter tyres ⇒ <a href="#">page 14</a> ◆ Snow chains ⇒ <a href="#">page 17</a>





Model engine output	Tyres	Tyre size	Wheel rim	Off-set in mm	Snow chains	Remarks
1.4l 110 kW petrol engine	Modification	215/60 R 16 95H	6 1/2 J x 16 ⇒ <a href="#">page 479</a>	33	No	Tyre makes recommended by Volkswagen: ◆ Summer tyres ⇒ <a href="#">page 519</a> ◆ All-season tyres ⇒ <a href="#">page 527</a> ◆ Winter tyres ⇒ <a href="#">page 541</a>
		225/50 R 17 98H/V	7 J x 17 ⇒ <a href="#">page 480</a>	39	No	
	Winter tyres	205/60 R 16 96H	6 1/2 J x 16 ⇒ <a href="#">page 479</a>	33	Yes	

Tyre inflation pressures are located on a sticker in fuel tank flap or in ⇒ Maintenance ; Booklet ; Check tyres: condition, profile, inflation pressure, depth of tread.

## 48.2 Wheel allocation for Sharan, type 7N, model year 2011

Explanation of information on wheels ⇒ [page 58](#)

Torque settings for wheel bolts ⇒ Running gear, axles, steering;  
Rep. gr. 44 ; Torque settings for fitting wheels

Pitch circle diameter: 112 mm  
Number of wheel bolt holes: 5

### 48.2.1 6 1/2 J x 16



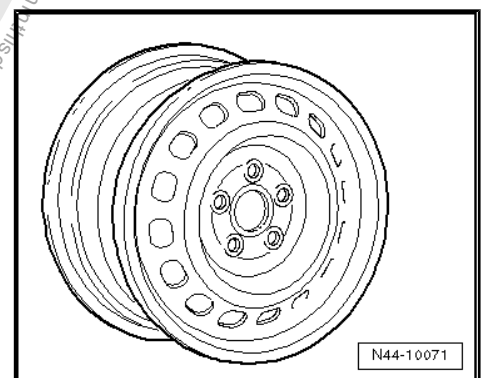
#### Caution

**Observe the allocation of wheels and tyres to the respective engines, which are listed in the overview table ⇒ [page 478](#) .**

7N0 601 027 A - Wheel and tyre combination ⇒ [page 478](#)

Only for vehicles to maximum permissible axle load of 1,350 kg

Size:	6 1/2 J x 16
Wheel offset in mm:	33
Wheel load in kg:	675





**7N0 601 025 - Wheel and tyre combination ⇒ page 478**

Only for vehicles to maximum permissible axle load of 1,350 kg

Size:	6 1/2 J x 16
Wheel offset in mm:	33
Wheel load in kg:	675



**7N0 601,025 A - Wheel and tyre combination ⇒ page 478**

Only for vehicles to maximum permissible axle load of 1,350 kg

Size:	6 1/2 J x 16
Wheel offset in mm:	33
Wheel load in kg:	675



**48.2.2 7 J x 17**



**Caution**

*Observe the allocation of wheels and tyres to the respective engines, which are listed in the overview table ⇒ page 478 .*

**7N0 601 025 B - Wheel and tyre combination ⇒ page 479**

Only for vehicles to maximum permissible axle load of 1,350 kg

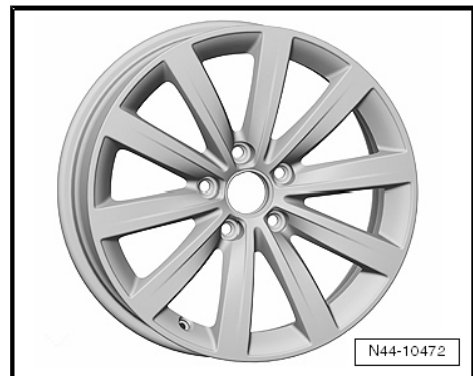
Size:	7 J x 17
Wheel offset in mm:	39
Wheel load in kg:	675



**7N0 601 025 C - Wheel and tyre combination ⇒ page 479**

Only for vehicles to maximum permissible axle load of 1,350 kg

Size:	7 J x 17
Wheel offset in mm:	39
Wheel load in kg:	675

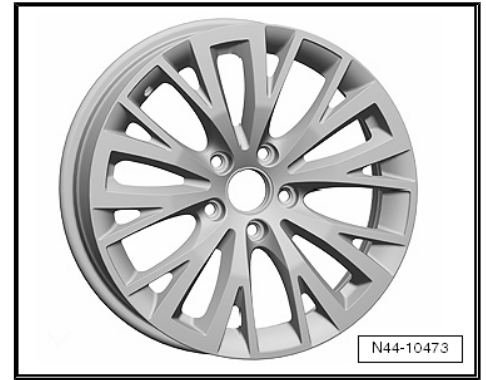




**7N0 601 025 D - Wheel and tyre combination ⇒ page 479**

Only for vehicles to maximum permissible axle load of 1,350 kg

Size:	7 J x 17
Wheel offset in mm:	39
Wheel load in kg:	675





## 49 Touareg from model year 2010

### General

Volkswagen vehicles are built according to the latest findings in safety engineering. To keep it that way, we recommend the use of only genuine Volkswagen spare parts. You can recognise this by the VW Audi logo and by the part number. It has been established that these parts are reliable, safe and suitable.

Despite constant appraisal of the market, we cannot assess other products on these points, even when in isolated cases they have been passed by official inspectors or have been granted official approval. Therefore, we cannot, of course, assume any liability if these products are installed.



#### WARNING

*The products from Volkswagen genuine parts and Votex genuine accessories may differ in fitting requirements, torque specifications and so on.*

*Always follow the respective fitting and operating instructions.*

The wheel and tyre combinations or changes listed in the vehicle tables refer exclusively to Volkswagen Genuine wheels. Approval of wheel and tyre combinations or a change to wheels from the accessories trade is not possible with the certificate statement attached here.



#### WARNING

*The fitting instructions and torque specifications for wheels from Votex genuine accessories may differ from those intended for wheels from Volkswagen genuine parts.*

*Therefore, always observe the torque settings for the wheel bolts as well as the respective fitting and operating instructions.*

### 49.1 Touareg, type 7P and type 7p, model year 2010 to model year 2011


Appendix to certificate statement 8106807167

The certificate statement can be found on the Volkswagen ServiceNet under Accessories/Tyres, Wheels and Tyres, Wheels and Tyres Guide.

Type Approval No. for type 7P: e1\*2007/46\*0376\*00 to e1\*2007/46\*0376\*02

Type Approval No. for type 7p: DE\*2007/46\*0400\*00 to DE\*2007/46\*0400\*02

#### Overview

Model engine output	Tyres	Tyre size	Wheel rim	Offset in mm	Snow chains	Remarks
3.0l V6 TDI 176 kW diesel engine	Standard tyres	235/65 R 17 108V	7 <sup>1</sup> / <sub>2</sub> J x 17 ⇒ <a href="#">page 484</a> 	50	Yes	General information on: ◆ Winter tyres ⇒ <a href="#">page 14</a> ◆ Snow chains ⇒ <a href="#">page 17</a>



Model engine output	Tyres	Tyre size	Wheel rim	Off-set in mm	Snow chains	Remarks
3.6l V6 206 kW; petrol engine	Modification	255/60 R 17 106V	7 1/2 J x 17 ⇒ <a href="#">page 484</a>	50	Yes	Tyre makes recommended by Volkswagen: ◆ Summer tyres ⇒ <a href="#">page 519</a> ◆ All-season tyres ⇒ <a href="#">page 527</a> ◆ Winter tyres ⇒ <a href="#">page 541</a>
		255/55 R 18 109V	8 J x 18 ⇒ <a href="#">page 484</a>	53	Yes	
		265/50 R 19 110V	8 1/2 J x 19 ⇒ <a href="#">page 485</a>	59	No	
		275/45 R 20 110V	9 J x 20 ⇒ <a href="#">page 486</a>	57	No	
		275/40 R 21 107V	9 1/2 J x 21 ⇒ <a href="#">page 487</a>	59	No	
	Winter tyres	235/65 R 17 108T/H	7 1/2 J x 17 ⇒ <a href="#">page 484</a>	50	Yes	
		255/55 R 18 109T/H/ V	8 J x 18 ⇒ <a href="#">page 484</a>	53	Yes	
	4.2 FV8 TDI 250 kW; diesel engine	Standard tyres	255/55 R 18 109W	8 J x 18 ⇒ <a href="#">page 484</a>	53	
Modification		265/50 R 19 110W	8 1/2 J x 19 ⇒ <a href="#">page 485</a>	59	No	
		275/45 R 20 110W	9 J x 20 ⇒ <a href="#">page 486</a>	57	No	
		275/40 R 21 107W	9 1/2 J x 21 ⇒ <a href="#">page 487</a>	59	No	
Winter tyres		255/55 R 18 109T/H/ V	8 J x 18 ⇒ <a href="#">page 484</a>	53	Yes	

Tyre inflation pressures are located on a sticker in fuel tank flap or in ⇒ Maintenance, Booklet ; Check tyres condition, profile, inflation pressure, depth of tread .

## 49.2 Wheel allocation for Touareg, type 7P and type 7p, model year 2010 to model year 2011

Explanation of information on wheels ⇒ [page 58](#)



Torque settings for wheel bolts => Running gear, axles, steering;  
Rep. gr. 44

Pitch circle diameter: 130  
Number of wheel bolt holes: 5

### 49.2.1 7 1/2 J x 17

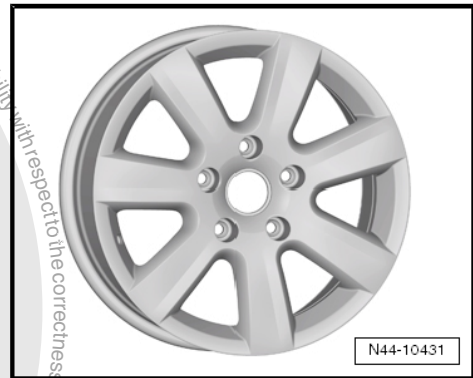


#### Caution

Observe the allocation of wheels and tyres to the respective engines, which are listed in the overview table => [page 482](#).

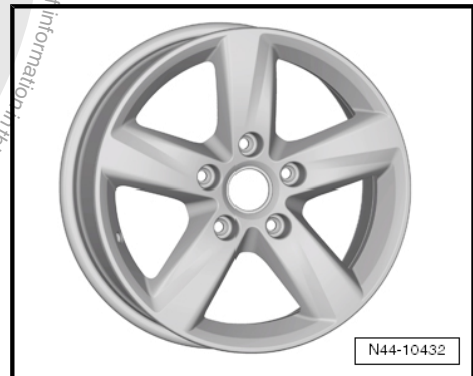
#### 7P6 601 025 - Wheel and tyre combination => [page 482](#)

Size:	7 1/2 J x 17
Wheel offset in mm:	50
Wheel load in kg:	800



#### 7P6 601 025 A - Wheel and tyre combination => [page 482](#)

Size:	7 1/2 J x 17
Wheel offset in mm:	50
Wheel load in kg:	800



### 49.2.2 8 J x 18



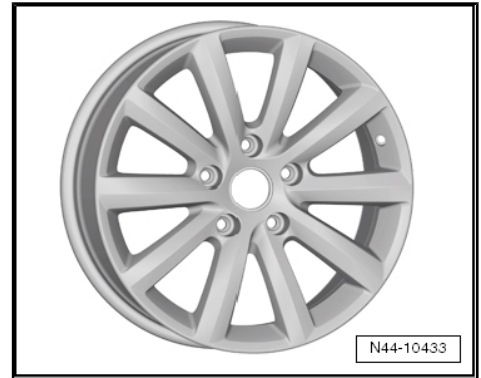
#### Caution

Observe the allocation of wheels and tyres to the respective engines, which are listed in the overview table => [page 482](#).



**7P6 601 025 B - Wheel and tyre combination ⇒ page 483**

Size:	8 J x 18
Wheel offset in mm:	53
Wheel load in kg:	800



**7P6 601 025 C - Wheel and tyre combination ⇒ page 483**

Size:	8 J x 18
Wheel offset in mm:	53
Wheel load in kg:	800



**7P6 601 025 J - Wheel and tyre combination ⇒ page 483**

Size:	8 J x 18
Wheel offset in mm:	53
Wheel load in kg:	800

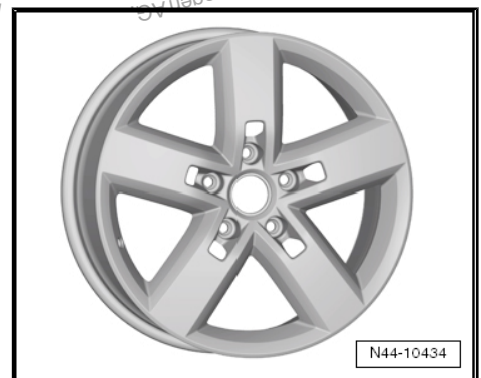


**49.2.3 8<sup>1</sup>/<sub>2</sub> J x 19**

	<b>Caution</b>
<i>Observe the allocation of wheels and tyres to the respective engines, which are listed in the overview table ⇒ page 482 .</i>	

**7P6 601 025 D - Wheel and tyre combination ⇒ page 483**

Size:	8 <sup>1</sup> / <sub>2</sub> J x 19
Wheel offset in mm:	59
Wheel load in kg:	800





**7P6 601 025 K - Wheel and tyre combination ⇒ page 483**

Size:	8 <sup>1</sup> / <sub>2</sub> J x 19
Wheel offset in mm:	59
Wheel load in kg:	800



**49.2.4 9 J x 20**

**!** **Caution**  
*Observe the allocation of wheels and tyres to the respective engines, which are listed in the overview table ⇒ page 482 .*

**7P6 601 025 E - Wheel and tyre combination ⇒ page 483**

Size:	9 J x 20
Wheel offset in mm:	57
Wheel load in kg:	800



**7P6 601 025 G - Wheel and tyre combination ⇒ page 483**

Size:	9 J x 20
Wheel offset in mm:	57
Wheel load in kg:	800



**7P6 601 025 L - Wheel and tyre combination ⇒ page 483**

Size:	9 J x 20
Wheel offset in mm:	57
Wheel load in kg:	800







**7P6 601 025 M - Wheel and tyre combination ⇒ page 483**

Size:	9 J x 20
Wheel offset in mm:	57
Wheel load in kg:	800



**49.2.5 9<sup>1</sup>/<sub>2</sub> J x 21**



**Caution**

*Observe the allocation of wheels and tyres to the respective engines, which are listed in the overview table ⇒ page 482.*

**7P6 601 025 N - Wheel and tyre combination ⇒ page 483**

Size:	9 <sup>1</sup> / <sub>2</sub> J x 21
Wheel offset in mm:	59
Wheel load in kg:	800



Protected by copyright. Copying for private or commercial purposes, in part or in whole, is not permitted unless authorised by Volkswagen AG. Volkswagen AG does not guarantee the correctness of information in this document. Copyright by Volkswagen AG.



## 50 Touareg hybrid from model year 2011

### General

Volkswagen vehicles are built according to the latest findings in safety engineering. To keep it that way, we recommend the use of only genuine Volkswagen spare parts. You can recognise this by the VW Audi logo and by the part number. It has been established that these parts are reliable, safe and suitable.

Despite constant appraisal of the market, we cannot assess other products on these points, even when in isolated cases they have been passed by official inspectors or have been granted official approval. Therefore, we cannot, of course, assume any liability if these products are installed.



#### WARNING

*The products from Volkswagen genuine parts and Votex genuine accessories may differ in fitting requirements, torque specifications and so on.*

*Always follow the respective fitting and operating instructions.*

The wheel and tyre combinations or changes listed in the vehicle tables refer exclusively to Volkswagen Genuine wheels. Approval of wheel and tyre combinations or a change to wheels from the accessories trade is not possible with the certificate statement attached here.



#### WARNING

*The fitting instructions and torque specifications for wheels from Votex genuine accessories may differ from those intended for wheels from Volkswagen genuine parts.*

*Therefore, always observe the torque settings for the wheel bolts as well as the respective fitting and operating instructions.*

### 50.1 Touareg hybrid, type 7PH and type 7pH, model year 2011

Appendix to certificate statement 8106807167

The certificate statement can be found on the Volkswagen ServiceNet under Accessories/Tyres, Wheels and Tyres, Wheels and Tyres Guide.

Type Approval No. for type 7PH: e1\*2007/46\*0403\*00

Type Approval No. for type 7pH: DE\*2007/46\*0404\*00

#### Overview

Model engine output	Tyres	Tyre size	Wheel rim	Offset in mm	Snow chains	Remarks
3.0l V6 245 kW; petrol engine	Standard tyres	255/55 R 18,109V	8 J x 18 ⇒ <a href="#">page 489</a>	53	Yes	General information on: ◆ Winter tyres ⇒ <a href="#">page 14</a> ◆ Snow chains ⇒ <a href="#">page 17</a>



Model engine output	Tyres	Tyre size	Wheel rim	Off-set in mm	Snow chains	Remarks
	Modification	265/50 R 19,110V	8 1/2 J x 19 ⇒ <a href="#">page 490</a>	59	No	Tyre makes recommended by Volkswagen: ◆ Summer tyres ⇒ <a href="#">page 520</a> ◆ All-season tyres ⇒ <a href="#">page 527</a> ◆ Winter tyres ⇒ <a href="#">page 541</a>
	Winter tyres	255/55 R 18 109T/H/V	8 J x 18 ⇒ <a href="#">page 489</a>	53	Yes	

Tyre inflation pressures are located on a sticker in fuel tank flap or in ⇒ Maintenance ; Booklet ; Check tyres: condition, profile, inflation pressure, depth of tread .

## 50.2 Wheel allocation for Touareg hybrid, type 7PH and type 7pH, model year 2011

Explanation of information on wheels ⇒ [page 58](#)

Torque settings for wheel bolts ⇒ Running gear, axles, steering; Rep. gr. 44

Pitch circle diameter:

130

Number of wheel bolt holes:

5

### 50.2.1 8 J x 18

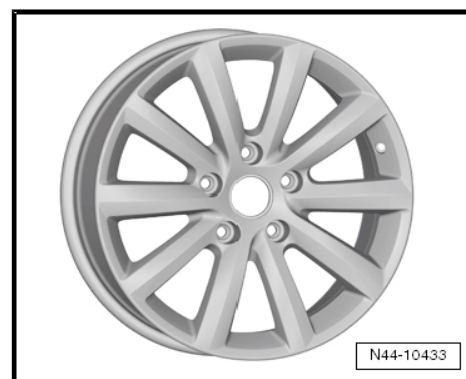


#### Caution

*Observe the allocation of wheels and tyres to the respective engines, which are listed in the overview table ⇒ [page 488](#) .*

7P6 601 025 B - Wheel and tyre combination ⇒ [page 488](#)

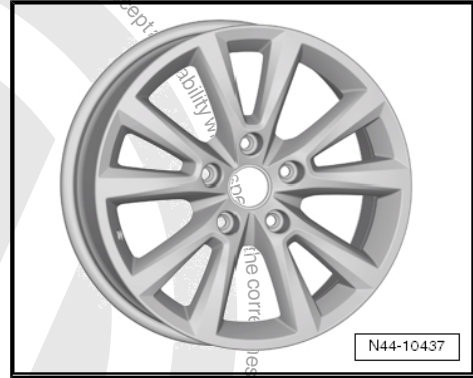
Size:	8 J x 18
Wheel offset in mm:	53
Wheel load in kg:	800





**7P6 601 025 C - Wheel and tyre combination ⇒ page 488**

Size:	8 J x 18
Wheel offset in mm:	53
Wheel load in kg:	800



**7P6 601 025 J - Wheel and tyre combination ⇒ page 488**

Size:	8 J x 18
Wheel offset in mm:	53
Wheel load in kg:	800



**50.2.2 8<sup>1</sup>/<sub>2</sub> J x 19**

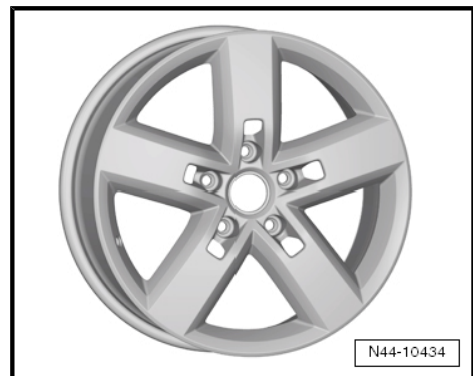


**Caution**

*Observe the allocation of wheels and tyres to the respective engines, which are listed in the overview table ⇒ page 488 .*

**7P6 601 025 D - Wheel and tyre combination ⇒ page 489**

Size:	8 <sup>1</sup> / <sub>2</sub> J x 19
Wheel offset in mm:	59
Wheel load in kg:	800



**7P6 601 025 K - Wheel and tyre combination ⇒ page 489**

Size:	8 <sup>1</sup> / <sub>2</sub> J x 19
Wheel offset in mm:	59
Wheel load in kg:	800





## 51 Breakdown set for VW Vehicles

The latest replacement part numbers for tyre sealant and the compressor of the respective vehicle type can be found in ⇒  
Electronic replacement parts catalogue „ETKA“ under the main group 0 - Accessories.





## 52 Temporary spare tyres and wheels for VW vehicles

Observe the notes on the use of temporary spare wheels

⇒ [page 68](#) .

Model	Wheel rim		Tyres		
	Size	Spare part No.	Size	Make	Tread
Polo, type 6R	3 1/2 J x 16 offset 25.5	3A0 601 025	T125/70 R 16 96M	Hankook Continental Komho Maxxis	S300 CST 17 121 M9599N
New Beetle, type 9C	3 1/2 J x 18 offset 38	1J0 601 027 M	T125/70 R 18 99M	Continental	CST 17
Touareg, type 7L pitch circle 120 mm	6 1/2 J x 17 offset 40	7L6 601 027 B	195/80 R 17 1 06P folding tyre	Vredestein	Spacemaster
Touareg, type 7L pitch circle 130 mm	6 1/2 J x 17 offset 40	7L6 601 027 V6 /V8 engine	195/80 R 17 1 06P folding tyre	Vredestein	Spacemaster
	6 1/2 J x 18 offset 53	7L6 601 027 A V10 engine	195/75 R 18 1 06P folding tyre	Vredestein	Spacemaster
Golf, type 5K (1K)	3 1/2 J x 18 offset 25.5	1K0 601 027 B	T125/70 R 18 99M	Goodyear Continental	Conv. Spare CST 17
	3 1/2 J x 16 wheel offset 25.5 <sup>1)</sup>	1K0 601 027 F	T125/70 R 16 96M	Hankook Continental Komho Maxxis	S300 CST 17 121 M9500N
Golf Plus, type 521 (1KP)	3 1/2 J x 18 offset 25.5	1K0 601 027 B	T125/70 R 18 99M	Continental	CST 17
	3 1/2 J x 16 wheel offset 25.5 <sup>1)</sup>	1K0 601 027 F	T125/70 R 16 96M	Hankook Continental Komho Maxxis	S300 CST 17 121 M9500N
Golf Variant, type AJ5	3 1/2 J x 18 offset 25.5	1K0 601 027 B	T125/70 R 18 99M	Goodyear Continental	Conv. Spare CST 17
Jetta, type 1KM	3 1/2 J x 18 offset 25.5	1K0 601 027 B	T125/70 R 18 99M	Goodyear Continental	Conv. Spare CST 17
Tiguan, type 5N	4 J x 18 offset 27.5	5N0 601 027 A	T145/80 R 18 99M	Continental	CST 17
Scirocco, type 137 (13)	3 1/2 J x 18 offset 25.5	1K0 601 027 B	T125/70 R 18 99M	Goodyear Continental	Conv. Spare CST 17
	3 1/2 J x 16 wheel offset 25.5 <sup>2)</sup>	1K0 601 027 F	T125/70 R 16 96M	Continental Hankook Kumho Maxxis	CST 17 S300 121 M9500N
Touran 1T	3 1/2 J x 18 offset 25.5	1K0 601 027 B	T125/70 R 18 99M	Goodyear Continental	Conv. Spare CST 17
Eos, type 1F	3 1/2 J x 18 offset 25.5	1K0 601 027 B	T125/70 R 18 99M	Continental	CST 17
	3 1/2 J x 16 wheel offset 25.5 <sup>2)</sup>	1K0 601 027 F	T125/70 R 16 96M	Continental Hankook Maxxis	CST 17 S300 M9500N

<sup>1)</sup> not with 4Motion or towing attachment

<sup>2)</sup> not with towing attachment





## 53 Recommended summer tyres

### Notes regarding the recommended makes of summer tyre

- ◆ Tyres are one of the most important elements in motor vehicle construction and have a major influence on road safety. Therefore, they must fulfil numerous conditions which are specified for tyre manufacturers in the DIN (German industrial standards) and the directives of the German rubber industry e. V. (W.d.K.). In addition, comprehensive testing is carried out at Volkswagen before tyres are approved for initial fitting on our vehicles.
- ◆ The following lists all tyre makes and tread patterns that are fitted to VW vehicles ex-factory, correct at the time of publication.
- ◆ These tyre makes/tread patterns meet the aforementioned demands. We therefore recommend the tyres/tread types listed in this guide are chosen as replacements.
- ◆ Observe special requirements for tyres with run-flat properties  
⇒ [page 54](#) .

### 53.1 Summer tyres for Fox from model year 2006

Observe the notes regarding the recommended makes of summer tyres ⇒ [page 494](#)

Tyre size	Make	Tread pattern
165/70 R 14 81T	Continental	Eco Contact 3
	Michelin	Energy3
185/60 R 14 82H	Continental	CPC
195/55 R 15 85H	Michelin	Energy Saver
	Bridgestone	8250
	Dunlop	Sport 01A

### 53.2 Summer tyres for Polo from model year 2010

Observe the notes regarding the recommended makes of summer tyres ⇒ [page 494](#)

Tyre size	Make	Tread pattern	
175/70 R 14 84T	Michelin	Energy Saver	
	Dunlop	SP Sport 01	
	Bridgestone	B250	
	Continental	Premium Contact 2	
175/70 R 14 88T	Michelin	Energy Saver	
	Bridgestone	B250	
185/60 R 15 84T	Michelin	Energy Saver	Rolling resistance optimised tyres ⇒ <a href="#">page 57</a>
	Dunlop	SP Sport 01	
	Hankook	K415	
	Bridgestone	B250	
	Goodyear	DuraGrip	
	Continental	Premium Contact 2	
185/60 R 15 88T	Michelin	Energy Saver	Rolling resistance optimised tyres ⇒ <a href="#">page 57</a>
	Dunlop	SP Sport 01	
	Bridgestone	B250	





Tyre size	Make	Tread pattern	
185/60 R 15 88H	Michelin	Energy Saver	Rolling resistance optimised tyres ⇒ <a href="#">page 57</a>
	Dunlop	SP Sport 01	
	Bridgestone	B250	
	Hankook	K415	
195/55 R 15 85T	Michelin	Energy Saver	
	Dunlop	SP Sport 01A	
	Bridgestone	B250	
	Hankook	K415	
195/55 R 15 85H	Michelin	Energy Saver	
	Dunlop	SP Sport 01A	
	Continental	Premium Contact 2	
	Bridgestone	B250	
215/45 R 16 86H	Michelin	Exalto 2	
	Dunlop	SportMaxx	
	Bridgestone	ER 300	
	Continental	Premium Contact 2	
	Goodyear	Excellence	
215/40 R 17 87V	Michelin	Exalto 2	
	Dunlop	SportMaxx	
	Continental	Premium Contact 2	

### 53.3 Summer tyres for Polo BlueMotion from model year 2010

Observe the notes regarding the recommended makes of summer tyres ⇒ [page 494](#)

Tyre size	Make	Tread pattern	Remarks
185/60 R 15 84T	Michelin	Energy Saver	Rolling resistance optimised tyres ⇒ <a href="#">page 57</a>
	Dunlop	SP Sport 01	
	Hankook	K415	
	Bridgestone	B250	
	Goodyear	DuraGrip	
	Continental	Premium Contact 2	
185/60 R 15 88T	Michelin	Energy Saver	Rolling resistance optimised tyres ⇒ <a href="#">page 57</a>
	Dunlop	SP Sport 01	
	Bridgestone	B250	
185/60 R 15 88H	Michelin	Energy Saver	Rolling resistance optimised tyres ⇒ <a href="#">page 57</a>
	Dunlop	SP Sport 01	
	Bridgestone	B250	
	Hankook	K415	

### 53.4 Summer tyres for CrossPolo from model year 2011

Observe the notes regarding the recommended makes of summer tyres ⇒ [page 494](#)

Tyre size	Make	Tread pattern
175/70 R 14 84T	Michelin	Energy Saver



Tyre size	Make	Tread pattern
	Dunlop	SP Sport 01
	Bridgestone	B250
	Continental	Premium Contact 2
175/70 R 14 88T	Michelin	Energy Saver
	Bridgestone	B250
185/60 R 15 84T	Michelin	Energy Saver
	Hankook	K415
	Dunlop	SP Sport 01
	Bridgestone	B250
	Goodyear	DuraGrip
	Continental	Premium Contact 2
185/60 R 15 88T	Michelin	Energy Saver
	Dunlop	SP Sport 01
	Bridgestone	B250
185/60 R 15 88H	Michelin	Energy Saver
	Dunlop	SP Sport 01
	Bridgestone	B250
	Hankook	K415
195/55 R 15 85T	Michelin	Energy Saver
	Dunlop	SP Sport 01A
	Bridgestone	B250
	Hankook	K415
195/55 R 15 85H	Michelin	Energy Saver
	Dunlop	SP Sport 01A
	Continental	Premium Contact 2
	Bridgestone	B250
215/45 R 16 86H	Michelin	Exalto 2
	Dunlop	SportMaxx
	Bridgestone	ER 300
	Continental	Premium Contact 2
	Goodyear	Excellence
215/40 R 17 87V	Michelin	Exalto 2
	Dunlop	SportMaxx
	Continental	Premium Contact 2

### 53.5 Summer tyres for Polo GTI from model year 2011

Observe the notes regarding the recommended makes of summer tyres ⇒ [page 494](#)

Tyre size	Make	Tread pattern
215/45 R 16 86H	Michelin	Exalto 2
	Dunlop	SportMaxx
	Bridgestone	ER 300
	Continental	Premium Contact 2
	Goodyear	Excellence
215/40 R 17 87V	Michelin	Exalto 2



Tyre size	Make	Tread pattern
	Dunlop	SportMaxx
	Continental	Premium Contact 2

### 53.6 Summer tyres for New Beetle from model year 1999

Observe the notes regarding the recommended makes of summer tyres ⇒ [page 494](#)

Tyre size	Make	Tread pattern	Remarks
195/65 R 15 91T	Michelin	Energy 3	
	Continental	Eco Contact 3	
	Goodyear	GT 3	
	Hankook	K406	
195/65 R 15 91H	Firestone	F580	
	Continental	CH 90	
	Pirelli	P 7	
195/65 R 15 91V	Michelin	Energy 3	
	Goodyear	NCT 5	
	Continental	Premium Contact	
	Pirelli	P 6000	
	Bridgestone	B 390	
	Bridgestone	ER 300	
205/55 R 16 91V	Continental	Sport Contact 2	
	Bridgestone	ER 30	
	Bridgestone	ER 300	
	Michelin	Energy 3	
	Goodyear	NCT 5	
	Pirelli	P 7	
	Hankook	K105	
	Dunlop	Sport 01A	
225/45 R 17 91W/Y	Michelin	Pilot Sport	
	Bridgestone	Potenza RE 040	
	Continental	Sport Contact	
	Pirelli	P 6000	
	Dunlop	SP 9090	

### 53.7 Summer tyres for New Beetle Cabriolet from model year 2003

Observe the notes regarding the recommended makes of summer tyres ⇒ [page 494](#)

Tyre size	Make	Tread pattern	Remarks
195/65 R 15 91T	Michelin	Energy 3	
	Continental	Eco Contact 3	
	Goodyear	GT 3	
	Hankook	K406	
195/65 R 15 91H	Firestone	F580	
	Continental	CH 90	



Volkswagen AG. Volkswagen AG does not guarantee or accept any liability with respect to the correctness of information in this document. Copyright by Volkswagen AG.

Tyre size	Make	Tread pattern	Remarks
195/65 R 15 91V	Pirelli	P 7	
	Michelin	Energy 3	
	Goodyear	NCT 5	
	Continental	Premium Contact	
	Pirelli	P 6000	
	Bridgestone	B 390	
	Bridgestone	ER 300	
205/55 R 16 91V	Continental	Sport Contact 2	
	Bridgestone	ER 30	
	Bridgestone	ER 300	
	Michelin	Energy 3	
	Goodyear	NCT 5	
	Pirelli	P 7	
	Hankook	K105	
	Dunlop	Sport 01A	
225/45 R 17 91W/Y	Michelin	Pilot Sport	
	Bridgestone	Potenza RE 040	
	Continental	Sport Contact	
	Pirelli	P 6000	
	Dunlop	SP 9090	

### 53.8 Summer tyres for Golf from model year 2009

Observe the notes regarding the recommended makes of summer tyres ⇒ [page 494](#)

Tyre size	Make	Tread pattern	Remarks
195/65 R 15 91T	Continental	Eco Contact 3	
	Hankook	K415	
	Michelin	Energy 3	
	Goodyear	GT3	
	Michelin	Energy Saver	Rolling resistance optimised tyres ⇒ <a href="#">page 57</a>
195/65 R 15 91H	Pirelli	P 6000	
	Hankook	K415	
	Goodyear	NCT 5	
	Continental	Eco Contact 3	
	Michelin	Energy 3	
	Bridgestone	ER 300	
	Bridgestone	B 390	
	Michelin	Energy Saver	Rolling resistance optimised tyres ⇒ <a href="#">page 57</a>
195/65 R 15 95H	Michelin	Energy 3	
	Bridgestone	B 390	
195/65 R 15 91V	Pirelli	P 6000	
	Goodyear	NCT 5	
	Michelin	Energy 3	
	Continental	Premium Contact	



Tyre size	Make	Tread pattern	Remarks
	Bridgestone	B 390	
	Bridgestone	ER 300	
205/55 R 16 91H	Michelin	Energy Saver	Rolling resistance optimised tyres ⇒ <a href="#">page 57</a>
	Goodyear	Excellence	
	Continental	Premium Contact	
	Dunlop	SP Sport Fast Response	
205/55 R 16 91V	Pirelli	P 7	
	Hankook	K105	
	Goodyear	NCT 5	
	Michelin	Energy 3	
	Dunlop	SP Sport 01A	
	Continental	Sport Contact 2	
	Bridgestone	ER 30	
	Bridgestone	ER 300	
	Dunlop	SP Sport Fast Response	
205/55 R 16 94V Extra Load	Bridgestone	ER 300	
	Michelin	Energy 3	
	Michelin	Energy Saver	
	Goodyear	NCT 5	
	Goodyear	Excellence	
	Bridgestone	ER 300 RFT	
225/45 R 17 91W	Michelin	Premacy HP	
	Bridgestone	RE 050	
	Continental	Sport Contact 2	
	Dunlop	SP Sport 01A	
225/40 R 18 92Y	Bridgestone	RE 050A	
	Michelin	Pilot Exalto 2	
	Dunlop	SportMaxx GT	
	Continental	Sport Contact 2	

### 53.9 Summer tyres for Golf BlueMotion from model year 2009

Observe the notes regarding the recommended makes of summer tyres ⇒ [page 494](#)

Tyre size	Make	Tread pattern	Remarks
195/65 R 15 91T	Michelin	Energy Saver	Rolling resistance optimised tyres ⇒ <a href="#">page 57</a>
	Goodyear	DuraGrip	
	Hankook	K415	
	Continental	Eco Contact 3	
195/65 R 15 91H	Michelin	Energy Saver	Rolling resistance optimised tyres ⇒ <a href="#">page 57</a>
	Goodyear	Excellence	



Tyre size	Make	Tread pattern	Remarks
	Continental	Eco Contact 3	
	Goodyear	DuraGrip	
	Hankook	K415	
	Bridgestone	ER 300	
205/55 R 16 91H	Continental	PremiumContact2	Rolling resistance optimised tyres ⇒ <a href="#">page 57</a>
	Dunlop	SP Sport Fast Response	
	Michelin	Energy Saver	
	Goodyear	Excellence	
205/55 R 16 91V	Michelin	Energy Saver	Rolling resistance optimised tyres ⇒ <a href="#">page 57</a>
	Dunlop	SP Sport Fast Response	
	Pirelli	P 7	
	Bridgestone	ER 300	
	Continental	Sport Contact 2	
205/55 R 16 94V	Goodyear	NCT 5	
	Bridgestone	ER 30	
	Bridgestone	ER 300	
	Michelin	Energy 3A	

### 53.10 Summer tyres for Golf GTD from model year 2009

Observe the notes regarding the recommended makes of summer tyres ⇒ [page 494](#)

Tyre size	Make	Tread pattern
205/55 R 16 91V	Pirelli	P 7
	Michelin	Energy Saver
	Bridgestone	ER 300
	Continental	Sport Contact 2
	Dunlop	SP Fast Response
205/55 R 16 94V	Goodyear	NCT 5
	Bridgestone	ER 30
	Bridgestone	ER 300
	Michelin	Energy 3A
225/45 R 17 91W	Michelin	Premacy HP
	Bridgestone	RE 050
	Continental	Sport Contact 2
	Dunlop	SP Sport 01A
225/40 R 18 92Y	Bridgestone	RE 050A
	Michelin	Pilot Exalto 2
	Dunlop	SportMaxx GT
	Continental	Sport Contact 2
235/35 R 19 91Y	Dunlop	SportMaxx GT



### 53.11 Summer tyres for Golf GTI from model year 2009

Observe the notes regarding the recommended makes of summer tyres ⇒ [page 494](#)

Tyre size	Make	Tread pattern
205/55 R 16 91V	Pirelli	P 7
	Michelin	Energy Saver
	Bridgestone	ER 300
	Continental	Sport Contact 2
	Dunlop	SP Fast Response
205/55 R 16 94V	Goodyear	NCT 5
	Bridgestone	ER 30
	Bridgestone	ER 300
	Michelin	Energy 3A
225/45 R 17 91W	Michelin	Premacy HP
	Bridgestone	RE 050
	Continental	Sport Contact 2
	Dunlop	SP Sport 01A
225/40 R 18 92Y	Bridgestone	RE 050A
	Michelin	Pilot Exalto 2
	Dunlop	SportMaxx GT
	Continental	Sport Contact 2
235/35 R 19 91Y	Dunlop	SportMaxx GT

### 53.12 Summer tyres for Golf R from model year 2010

Observe the notes regarding the recommended makes of summer tyres ⇒ [page 494](#)

Tyre size	Make	Tread pattern
225/45 R 17 91W	Michelin	Premacy HP
	Bridgestone	RE 050
	Continental	Sport Contact 2
	Dunlop	SP Sport 01A
225/40 R 18 92Y	Bridgestone	RE 050A
	Michelin	Pilot Exalto 2
	Dunlop	SportMaxx GT
	Continental	Sport Contact 2
235/35 R 19 91Y	Dunlop	SportMaxx GT

### 53.13 Summer tyres for Golf Plus from model year 2009

Observe the notes regarding the recommended makes of summer tyres ⇒ [page 494](#)

Tyre size	Make	Tread pattern	Remarks
195/65 R 15 91T	Continental	Eco Contact 3	
	Hankook	K415	
	Michelin	Energy 3	



Tyre size	Make	Tread pattern	Remarks
	Goodyear	GT3	
	Michelin	Energy Saver	Rolling resistance optimised tyres => <a href="#">page 57</a>
195/65 R 15 91H	Pirelli	P 6000	
	Hankook	K415	
	Goodyear	NCT 5	
	Continental	Eco Contact 3	
	Michelin	Energy 3	
	Bridgestone	ER 300	
	Bridgestone	B 390	
	Michelin	Energy Saver	Rolling resistance optimised tyres => <a href="#">page 57</a>
195/65 R 15 95H	Michelin	Energy 3	
	Bridgestone	B 390	
195/65 R 15 91V	Pirelli	P 6000	
	Goodyear	NCT 5	
	Michelin	Energy 3	
	Continental	Premium Contact	
	Bridgestone	B 390	
	Bridgestone	ER 300	
205/55 R 16 91H	Michelin	Energy Saver	Rolling resistance optimised tyres => <a href="#">page 57</a>
	Goodyear	Excellence	
	Continental	Premium Contact	
	Dunlop	SP Sport Fast Response	
205/55 R 16 91V	Pirelli	P 7	
	Hankook	K105	
	Goodyear	NCT 5	
	Michelin	Energy 3	
	Dunlop	SP Sport 01A	
	Continental	Sport Contact 2	
	Bridgestone	ER 30	
	Bridgestone	ER 300	
	Dunlop	SP Sport Fast Response	
	Michelin	Energy Saver	
Goodyear	Excellence		
205/55 R 16 94V Extra Load	Bridgestone	ER 300	
	Michelin	Energy 3	
	Michelin	Energy Saver	
	Goodyear	NCT 5	
	Goodyear	Excellence	
	Bridgestone	ER 300 RFT	
225/45 R 17 91W	Michelin	Premacy HP	
	Bridgestone	RE 050	
	Continental	Sport Contact 2	
	Dunlop	SP Sport 01A	





Tyre size	Make	Tread pattern	Remarks
225/40 R 18 92Y	Bridgestone	RE 050A	
	Michelin	Pilot Exalto 2	
	Dunlop	SportMaxx GT	
	Continental	Sport Contact 2	

### 53.14 Summer tyres for Golf Plus BlueMotion from model year 2010

Observe the notes regarding the recommended makes of summer tyres ⇒ [page 494](#)

Tyre size	Make	Tread pattern	Remarks
195/65 R 15 91T	Michelin	Energy Saver	Rolling resistance optimised tyres ⇒ <a href="#">page 57</a>
	Goodyear	DuraGrip	
	Hankook	K415	
	Continental	Eco Contact 3	
195/65 R 15 91H	Michelin	Energy Saver	Rolling resistance optimised tyres ⇒ <a href="#">page 57</a>
	Goodyear	Excellence	
	Continental	Eco Contact 3	
	Goodyear	DuraGrip	
	Hankook	K415	
	Bridgestone	ER 300	
205/55 R 16 91H	Continental	PremiumContact2	Rolling resistance optimised tyres ⇒ <a href="#">page 57</a>
	Dunlop	SP Sport Fast Response	
	Michelin	Energy Saver	
	Goodyear	Excellence	
205/55 R 16 91V	Michelin	Energy Saver	Rolling resistance optimised tyres ⇒ <a href="#">page 57</a>
	Dunlop	SP Sport Fast Response	
	Pirelli	P 7	
	Bridgestone	ER 300	
	Continental	Sport Contact 2	
205/55 R 16 94V	Goodyear	NCT 5	
	Bridgestone	ER 30	
	Bridgestone	ER 300	
	Michelin	Energy 3A	

### 53.15 Summer tyres for Golf Variant from model year 2010

Observe the notes regarding the recommended makes of summer tyres ⇒ [page 494](#)

Tyre size	Make	Tread pattern	Remarks
195/65 R 15 91T	Continental	Eco Contact 3	
	Hankook	K415	
	Michelin	Energy 3	
	Goodyear	GT3	
	Michelin	Energy Saver	Rolling resistance optimised tyres ⇒ <a href="#">page 57</a>



Tyre size	Make	Tread pattern	Remarks	
195/65 R 15 91H	Pirelli	P 6000		
	Hankook	K415		
	Goodyear	NCT 5		
	Continental	Eco Contact 3		
	Michelin	Energy 3		
	Bridgestone	ER 300		
	Bridgestone	B 390		
	Michelin	Energy Saver		Rolling resistance optimised tyres ⇒ <a href="#">page 57</a>
195/65 R 15 95H	Michelin	Energy 3		
	Bridgestone	B 390		
195/65 R 15 91V	Pirelli	P 6000		
	Goodyear	NCT 5		
	Michelin	Energy 3		
	Continental	Premium Contact		
	Bridgestone	B 390		
	Bridgestone	ER 300		
205/55 R 16 91H	Michelin	Energy Saver	Rolling resistance optimised tyres ⇒ <a href="#">page 57</a>	
	Goodyear	Excellence		
	Continental	Premium Contact		
	Dunlop	SP Sport Fast Response		
205/55 R 16 91V	Pirelli	P 7		
	Hankook	K105		
	Goodyear	NCT 5		
	Michelin	Energy 3		
	Dunlop	SP Sport 01A		
	Continental	Sport Contact 2		
	Bridgestone	ER 30		
	Bridgestone	ER 300		
	Dunlop	SP Sport Fast Response		Rolling resistance optimised tyres ⇒ <a href="#">page 57</a>
	Michelin	Energy Saver		
	Goodyear	Excellence		
	205/55 R 16 94V Extra Load	Bridgestone		ER 300
Michelin		Energy 3		
Michelin		Energy Saver		
Goodyear		NCT 5		
Goodyear		Excellence		
Bridgestone		ER 300 RFT		
225/45 R 17 91W	Michelin	Premacy HP		
	Bridgestone	RE 050		
	Continental	Sport Contact 2		
	Dunlop	SP Sport 01A		
225/40 R 18 92Y	Bridgestone	RE 050A		
	Michelin	Pilot Exalto 2		
	Dunlop	SportMaxx GT		



Tyre size	Make	Tread pattern	Remarks
	Continental	Sport Contact 2	

### 53.16 Summer tyres for Golf Variant BlueMotion from model year 2010

Observe the notes regarding the recommended makes of summer tyres ⇒ [page 494](#)

Tyre size	Make	Tread pattern	Remarks
195/65 R 15 91T	Michelin	Energy Saver	Rolling resistance optimised tyres ⇒ <a href="#">page 57</a>
	Goodyear	DuraGrip	
	Hankook	K415	
	Continental	Eco Contact 3	
195/65 R 15 91H	Michelin	Energy Saver	Rolling resistance optimised tyres ⇒ <a href="#">page 57</a>
	Goodyear	Excellence	
	Continental	Eco Contact 3	
	Goodyear	DuraGrip	
	Hankook	K415	
	Bridgestone	ER 300	
205/55 R 16 91H	Continental	PremiumContact2	Rolling resistance optimised tyres ⇒ <a href="#">page 57</a>
	Dunlop	SP Sport Fast Response	
	Michelin	Energy Saver	
	Goodyear	Excellence	
205/55 R 16 91V	Michelin	Energy Saver	Rolling resistance optimised tyres ⇒ <a href="#">page 57</a>
	Dunlop	SP Sport Fast Response	
	Pirelli	P 7	
	Bridgestone	ER 300	
	Continental	Sport Contact 2	
205/55 R 16 94V	Goodyear	NCT 5	
	Bridgestone	ER 30	
	Bridgestone	ER 300	
	Michelin	Energy 3A	

### 53.17 Summer tyres for Jetta from model year 2006

Observe the notes regarding the recommended makes of summer tyres ⇒ [page 494](#)

Tyre size	Make	Tread pattern	Remarks
195/65 R 15 91T	Continental	Eco Contact 3	
	Hankook	K415	
	Michelin	Energy 3	
	Goodyear	GT3	
	Michelin	Energy Saver	
195/65 R 15 91H	Pirelli	P 6000	
	Hankook	K415	
	Goodyear	NCT 5	



Tyre size	Make	Tread pattern	Remarks	
	Continental	Eco Contact 3		
	Michelin	Energy 3		
	Bridgestone	ER 300		
	Bridgestone	B 390		
	Michelin	Energy Saver		Rolling resistance optimised tyres ⇒ <a href="#">page 57</a>
195/65 R 15 95H	Michelin	Energy 3		
	Bridgestone	B 390		
195/65 R 15 91V	Pirelli	P 6000		
	Goodyear	NCT 5		
	Michelin	Energy 3		
	Continental	Premium Contact		
	Bridgestone	B 390		
	Bridgestone	ER 300		
205/55 R 16 91H	Michelin	Energy Saver	Rolling resistance optimised tyres ⇒ <a href="#">page 57</a>	
	Goodyear	Excellence		
	Continental	Premium Contact		
	Dunlop	SP Sport Fast Response		
205/55 R 16 91V	Pirelli	P 7		
	Hankook	K105		
	Goodyear	NCT 5		
	Michelin	Energy 3		
	Dunlop	SP Sport 01A		
	Continental	Sport Contact 2		
	Bridgestone	ER 30		
	Bridgestone	ER 300		
	Dunlop	SP Sport Fast Response		Rolling resistance optimised tyres ⇒ <a href="#">page 57</a>
	Michelin	Energy Saver		
	Goodyear	Excellence		
205/55 R 16 94V Extra Load	Bridgestone	ER 300		
	Michelin	Energy 3		
	Michelin	Energy Saver		
	Goodyear	NCT 5		
	Goodyear	Excellence		
	Bridgestone	ER 300 RFT		Tyres with run-flat properties ⇒ <a href="#">page 54</a>
225/45 R 17 91W	Michelin	Premacy HP		
	Bridgestone	RE 050		
	Continental	Sport Contact 2		
	Dunlop	SP Sport 01A		
225/40 R 18 92Y	Bridgestone	RE 050A		
	Michelin	Pilot Exalto 2		
	Dunlop	SportMaxx GT		
	Continental	Sport Contact 2		





### 53.18 Summer tyres for Jetta BlueMotion from Model year 2008

Observe the notes regarding the recommended makes of summer tyres ⇒ [page 494](#)

Tyre size	Make	Tread pattern	Remarks
195/65 R 15 91T	Michelin	Energy Saver	Rolling resistance optimised tyres ⇒ <a href="#">page 57</a>
	Goodyear	DuraGrip	
	Hankook	K415	
	Continental	Eco Contact 3	
195/65 R 15 91H	Michelin	Energy Saver	Rolling resistance optimised tyres ⇒ <a href="#">page 57</a>
	Goodyear	Excellence	
	Continental	Eco Contact 3	
	Goodyear	DuraGrip	
	Hankook	K415	
	Bridgestone	ER 300	
205/55 R 16 91H	Continental	PremiumContact2	Rolling resistance optimised tyres ⇒ <a href="#">page 57</a>
	Dunlop	SP Sport Fast Response	
	Michelin	Energy Saver	
	Goodyear	Excellence	
205/55 R 16 91V	Michelin	Energy Saver	Rolling resistance optimised tyres ⇒ <a href="#">page 57</a>
	Dunlop	SP Sport Fast Response	
	Pirelli	P 7	
	Bridgestone	ER 300	
	Continental	Sport Contact 2	
205/55 R 16 94V	Goodyear	NCT 5	
	Bridgestone	ER 30	
	Bridgestone	ER 300	
	Michelin	Energy 3A	

### 53.19 Summer tyres for Scirocco from model year 2009

Observe the notes regarding the recommended makes of summer tyres ⇒ [page 494](#)

Tyre size	Make	Tread pattern
205/50 R17 89H	Dunlop	SP Sport 01A
225/45 R 17 91W	Michelin	Primacy
	Continental	Sport Contact 2
	Dunlop	SP Sport 01A
	Bridgestone	RE 050A
	Pirelli	P Zero Rosso
235/45 R 17 94W	Continental	Sport Contact 3
	Pirelli	Cinturato P7
235/45 R 17 97W	Bridgestone	RE 050A
	Continental	Sport Contact 2
	Dunlop	SP Sport 01A
235/40 R18 95Y	Dunlop	SP Sport 01A
	Michelin	Pilot Sport 2



Tyre size	Make	Tread pattern
	Pirelli	P Zero Rosso
	Continental	Sport Contact 2
235/40 R 18 95W	Pirelli	Cinturato P7
235/35 R 19 91Y	Pirelli	P Zero
	Continental	Sport Contact 3
	Bridgestone	RE 050A

### 53.20 Summer tyres for Scirocco R from model year 2010

Observe the notes regarding the recommended makes of summer tyres ⇒ [page 494](#)

Tyre size	Make	Tread pattern
225/45 R 17 91W	Michelin	Primacy
	Continental	Sport Contact 2
	Dunlop	SP Sport 01A
	Bridgestone	RE 050A
	Pirelli	P Zero Rosso
235/45 R 17 94W	Continental	Sport Contact 3
	Pirelli	Cinturato P7
235/45 R 17 97W	Bridgestone	RE 050A
	Continental	Sport Contact 2
	Dunlop	SP Sport 01A
235/40 R 18 95Y	Dunlop	SP Sport 01A
	Michelin	Pilot Sport 2
	Pirelli	P Zero Rosso
235/40 R 18 95W	Pirelli	Cinturato P7
235/35 R 19 91Y	Pirelli	P Zero
	Continental	Sport Contact 3
	Bridgestone	RE 050A

### 53.21 Summer tyres for Touran from model year 2003

Observe the notes regarding the recommended makes of summer tyres ⇒ [page 494](#)

Tyre size	Make	Tread pattern	Remarks
195/65 R 15 91T	Continental	Eco Contact 3	
	Hankook	K415	
	Michelin	Energy 3	
	Goodyear	GT3	
	Michelin	Energy Saver	
195/65 R 15 91H	Pirelli	P 6000	Rolling resistance optimised tyres ⇒ <a href="#">page 57</a>
	Hankook	K415	
	Goodyear	NCT 5	
	Continental	Eco Contact 3	
	Michelin	Energy 3	



Tyre size	Make	Tread pattern	Remarks
	Bridgestone	ER 300	
	Bridgestone	B 390	
	Michelin	Energy Saver	
195/65 R 15 95H	Michelin	Energy 3	
	Bridgestone	B 390	
195/65 R 15 91V	Pirelli	P 6000	
	Goodyear	NCT 5	
	Michelin	Energy 3	
	Continental	Premium Contact	
	Bridgestone	B 390	
	Bridgestone	ER 300	
205/55 R 16 91H	Michelin	Energy Saver	Rolling resistance optimised tyres ⇒ <a href="#">page 57</a>
	Goodyear	Excellence	
	Continental	Premium Contact	
	Dunlop	SP Sport Fast Response	
205/55 R 16 91V	Pirelli	P 7	
	Hankook	K105	
	Goodyear	NCT 5	
	Michelin	Energy 3	
	Dunlop	SP Sport 01A	
	Continental	Sport Contact 2	
	Bridgestone	ER 30	
	Bridgestone	ER 300	
	Dunlop	SP Sport Fast Response	
205/55 R 16 94V Extra Load	Bridgestone	ER 300	
	Michelin	Energy 3	
	Michelin	Energy Saver	
	Goodyear	NCT 5	
	Goodyear	Excellence	
	Bridgestone	ER 300 RFT	
225/45 R 17 91W	Michelin	Primacy	
	Bridgestone	RE50	
	Continental	Sport Contact 2	
225/45 ZR 17 91W	Pirelli	P Zero Rosso	
	Dunlop	SP Sport 01A	
225/45 R 17 94W	Michelin	Primacy	
225/45 ZR 17 94W	Pirelli	P Zero Rosso	
	Dunlop	SP Sport 01A	
225/40 R 18 92Y	Continental	Sport Contact 2	
	Bridgestone	RE50A	
225/40 R 18 92Y	Michelin	Exalto	
	Dunlop	SportMaxx	



Tyre size	Make	Tread pattern	Remarks
	Dunlop	SportMaxxGT	

### 53.22 Summer tyres for Touran BlueMotion from model year 2009

Observe the notes regarding the recommended makes of summer tyres ⇒ [page 494](#)

Tyre size	Make	Tread pattern	Remarks
195/65 R 15 91T	Michelin	Energy Saver	Rolling resistance optimised tyres ⇒ <a href="#">page 57</a>
	Goodyear	DuraGrip	
	Hankook	K415	
	Continental	Eco Contact 3	
195/65 R 15 91H	Michelin	Energy Saver	Rolling resistance optimised tyres ⇒ <a href="#">page 57</a>
	Goodyear	Excellence	
	Continental	Eco Contact 3	
	Goodyear	DuraGrip	
	Hankook	K415	
	Bridgestone	ER 300	
205/55 R 16 91H	Continental	PremiumContact2	Rolling resistance optimised tyres ⇒ <a href="#">page 57</a>
	Dunlop	SP Sport Fast Response	
	Michelin	Energy Saver	
	Goodyear	Excellence	
205/55 R 16 91V	Michelin	Energy Saver	Rolling resistance optimised tyres ⇒ <a href="#">page 57</a>
	Dunlop	SP Sport Fast Response	
	Pirelli	P 7	
	Bridgestone	ER 300	
	Continental	Sport Contact 2	
205/55 R 16 94V	Goodyear	NCT 5	
	Bridgestone	ER 30	
	Bridgestone	ER 300	
	Michelin	Energy 3A	

### 53.23 Summer tyres for CrossTouran from model year 2008

Observe the notes regarding the recommended makes of summer tyres ⇒ [page 494](#)

Tyre size	Make	Tread pattern
215/50 R 17 95V	Dunlop	SP Sport 01A
	Michelin	Primacy HP
235/45 R 17 94V	Dunlop	SP Sport 01A
	Michelin	Primacy HP





### 53.24 Summer tyres for Tiguan from model year 2008

Observe the notes regarding the recommended makes of summer tyres ➔ [page 494](#)

Tyre size	Make	Tread pattern	Remarks
215/65 R 16 98H	Pirelli	P6	
	Michelin	Diamaris LT	
	Bridgestone	Dueler HP Sport	
	Goodyear	Eagle LS	
	Hankook	DynaPro RA23	
235/55 R 17 99H	Goodyear	Excellence	
	Michelin	Diamaris LT	
	Continental	Pro Contact	
	Bridgestone	Dueler HP Sport	
	Dunlop	SP Sport 01	
235/50 R 18 97H	Michelin	Latitude THP	For USA
	Pirelli	Scorpion ZA	
235/50 R 18 97V	Goodyear	Eagle F1	
	Continental	CrossContact UHP	
	Dunlop	SP Sport 01	
	Bridgestone	Dueler HP Sport	
255/40 R 19 96V	Dunlop	SportMaxx GT	
255/40 R 19 96W	Pirelli	P Zero	

### 53.25 Summer tyres for Eos from model year 2006

Observe the notes regarding the recommended makes of summer tyres ➔ [page 494](#)

Tyre size	Make	Tread pattern	Remarks
215/55 R 16 97W	Michelin	Primacy	
	Dunlop	SP Sport 01	
	Bridgestone	ER 300	
	Goodyear	Excellence	
	Pirelli	P7	
235/45 R 17 94W	Continental	Sport Contact 3	Self-sealing tyres „ContiSeal“ ➔ Workshop manual: Running gear, axles, steering; Rep. gr. 44 ; Self-sealing tyres „Conti-Seal“
235/45 R 17 97W	Continental	Sport Contact 2	
	Pirelli	P Zero Rosso	
	Bridgestone	ER 050A	
	Dunlop	SP Sport 01	
235/40 R 18 95W	Continental	Sport Contact 3	Self-sealing tyres „ContiSeal“ ➔ Workshop manual: Running gear, axles, steering; Rep. gr. 44 ; Self-sealing tyres „Conti-Seal“
235/40 R 18 95Y	Pirelli	P Zero Rosso	
	Dunlop	SP Sport 01	



Tyre size	Make	Tread pattern	Remarks
	Michelin	Pilot Sport 2	
	Continental	Sport Contact 2	

### 53.26 Summer tyres for Passat saloon from model year 2006

Observe the notes regarding the recommended makes of summer tyres ⇒ [page 494](#)

Tyre size	Make	Tread pattern	Remarks	
205/55 R 16 91H	Goodyear	Excellence	Rolling resistance optimised tyres ⇒ <a href="#">page 57</a>	
	Michelin	Energy Saver		
	Dunlop	SP Sport Fast Response		
	205/55 R 16 94V	Michelin	Primacy	
		Dunlop	SP Sport 01A	
		Goodyear	NCT -6	
		Bridgestone	ER 300	
		Continental	Premium Contact2	
Michelin		Energy Saver		
Goodyear		Excellence		
215/55 R 16 97V	Continental	Sport Contact 2	Tyres with run-flat properties ⇒ <a href="#">page 54</a>	
	Bridgestone	ER 300		
	Bridgestone	ER 300 RFT		
	Michelin	Primacy		
	Goodyear	Excellence		
215/55 R 16 97W	Continental	Premium Contact		
	Continental	Premium Contact 2		
	Pirelli	P7		
	Goodyear	Excellence		
	Bridgestone	ER 300		
	Dunlop	SP Sport 01A		
	Dunlop	SP Fast Response		
	Michelin	Primacy		
235/45 R 17 94W	Continental	Sport Contact 3	Self-sealing tyres „ContiSeal“ ⇒ Workshop manual: Running gear, axles, steering; Rep. gr. 44 ; Self-sealing tyres „Conti-Seal“	
	Pirelli	P Zero Rosso		
235/45 R 17 97W	Continental	Sport Contact 2		
	Dunlop	SP Sport 1		
	Bridgestone	RE 050A		
	Pirelli	P Zero Rosso		
235/40 R 18 95W	Continental	Sport Contact 3	Self-sealing tyres „ContiSeal“ ⇒ Workshop manual: Running gear, axles, steering; Rep. gr. 44 ; Self-sealing tyres „Conti-Seal“	
235/40 R 18 95Y	Pirelli	P Zero Rosso		
	Continental	Sport Contact 2		
	Michelin	Pilot Sport 2		



Tyre size	Make	Tread pattern	Remarks
	Dunlop	SP Sport 1	

### 53.27 Summer tyres for Passat saloon BlueMotion from model year 2008

Observe the notes regarding the recommended makes of summer tyres ⇒ [page 494](#)

Tyre size	Make	Tread pattern	Remarks
205/55 R 16 91H	Goodyear	Excellence	Rolling resistance optimised tyres ⇒ <a href="#">page 57</a>
	Michelin	Energy Saver	
	Dunlop	SP Sport Fast Response	
	Michelin	Primacy	
	Dunlop	SP Sport 01A	
	Goodyear	NCT -6	
	Bridgestone	ER 300	
	Continental	Premium Contact2	
205/55 R 16 94V	Michelin	Primacy	
	Michelin	Energy Saver	
	Goodyear	Excellence	
	Continental	Sport Contact 2	
	Bridgestone	ER 300	
215/55 R 16 97V	Bridgestone	ER 300 RFT	Tyres with run-flat properties ⇒ <a href="#">page 54</a>
215/55 R 16 97W	Michelin	Primacy	
	Dunlop	SP Sport 01A	
	Dunlop	SP Sport Fast Response	
	Bridgestone	ER 300	
	Continental	Premium Contact	
	Continental	Premium Contact 2	
	Pirelli	P7	
235/45 R 17 94W	Continental	Sport Contact 3	Self-sealing tyres „ContiSeal“ ⇒ Workshop manual: Running gear, axles, steering; Rep. gr. 44 ; Self-sealing tyres „Conti-Seal“
235/45 R 17 97W	Pirelli	P Zero Rosso	
	Continental	Sport Contact 2	
	Dunlop	SP Sport 1	
	Bridgestone	RE 050A	
235/40 R 18 95W	Continental	Sport Contact 3	Self-sealing tyres „ContiSeal“ ⇒ Workshop manual: Running gear, axles, steering; Rep. gr. 44 ; Self-sealing tyres „Conti-Seal“
235/40 R 18 95Y	Pirelli	P Zero Rosso	
	Continental	Sport Contact 2	
	Michelin	Pilot Sport 2	
	Dunlop	SP Sport 1	



## 53.28 Summer tyres for Passat Variant from model year 2006

Observe the notes regarding the recommended makes of summer tyres ⇒ [page 494](#)

Tyre size	Make	Tread pattern	Remarks		
205/55 R 16 91H	Goodyear	Excellence	Rolling resistance optimised tyres ⇒ <a href="#">page 57</a>		
	Michelin	Energy Saver			
	Dunlop	SP Sport Fast Response			
	205/55 R 16 94V	Michelin	Primacy		
		Michelin	Energy Saver		
		Goodyear	Excellence		
		Continental	Sport Contact 2		
		Bridgestone	ER 300		
215/55 R 16 97V		Bridgestone	ER 300 RFT		Tyres with run-flat properties ⇒ <a href="#">page 54</a>
		215/55 R 16 97W	Michelin		Primacy
	Dunlop		SP Sport 01A		
	Dunlop		SP Fast Response		
	Bridgestone		ER 300		
	Continental		Premium Contact		
	Continental		Premium Contact 2		
	Pirelli		P7		
Goodyear	Excellence				
235/45 R 17 94W	Continental	Sport Contact 3	Self-sealing tyres „ContiSeal“ ⇒ Workshop manual: Running gear, axles, steering; Rep. gr. 44 ; Self-sealing tyres „Conti-Seal“		
235/45 R 17 97W	Pirelli	P Zero Rosso			
	Continental	Sport Contact 2			
	Dunlop	SP Sport 1			
	Bridgestone	RE 050A			
235/40 R 18 95W	Continental	Sport Contact 3	Self-sealing tyres „ContiSeal“ ⇒ Workshop manual: Running gear, axles, steering; Rep. gr. 44 ; Self-sealing tyres „Conti-Seal“		
235/40 R 18 95Y	Pirelli	P Zero Rosso			
	Continental	Sport Contact 2			
	Michelin	Pilot Sport 2			
	Dunlop	SP Sport 1			



## 53.29 Summer tyres for Passat Variant BlueMotion from model year 2008

Observe the notes regarding the recommended makes of summer tyres ⇒ [page 494](#)

Tyre size	Make	Tread pattern	Remarks
205/55 R 16 91H	Goodyear	Excellence	Rolling resistance optimised tyres ⇒ <a href="#">page 57</a>
	Michelin	Energy Saver	
	Dunlop	SP Sport Fast Response	
	Michelin	Primacy	
	Dunlop	SP Sport 01A	
	Goodyear	NCT -6	
	Bridgestone	ER 300	
	Continental	Premium Contact2	
205/55 R 16 94V	Michelin	Primacy	
	Michelin	Energy Saver	
	Goodyear	Excellence	
	Continental	Sport Contact 2	
	Bridgestone	ER 300	
215/55 R 16 97V	Bridgestone	ER 300 RFT	Tyres with run-flat properties ⇒ <a href="#">page 54</a>
215/55 R 16 97W	Michelin	Primacy	
	Dunlop	SP Sport 01A	
	Dunlop	SP Fast Response	
	Bridgestone	ER 300	
	Continental	Premium Contact	
	Continental	Premium Contact 2	
	Pirelli	P7	
Goodyear	Excellence		
235/45 R 17 94W	Continental	Sport Contact 3	Self-sealing tyres „ContiSeal“ ⇒ Workshop manual: Running gear, axles, steering; Rep. gr. 44 ; Self-sealing tyres „Conti-Seal“
235/45 R 17 97W	Pirelli	P Zero Rosso	
	Continental	Sport Contact 2	
	Dunlop	SP Sport 1	
	Bridgestone	RE 050A	
235/40 R 18 95W	Continental	Sport Contact 3	Self-sealing tyres „ContiSeal“ ⇒ Workshop manual: Running gear, axles, steering; Rep. gr. 44 ; Self-sealing tyres „Conti-Seal“
235/40 R 18 95Y	Pirelli	P Zero Rosso	
	Continental	Sport Contact 2	
	Michelin	Pilot Sport 2	
	Dunlop	SP Sport 1	



### 53.30 Summer tyres for Passat R36 from model year 2008

Observe the notes regarding the recommended makes of summer tyres ⇒ [page 494](#)

Tyre size	Make	Tread pattern	Remarks
235/45 R 17 94W	Continental	Sport Contact 3	Self-sealing tyres „ContiSeal“ ⇒ Workshop manual: Running gear, axles, steering; Rep. gr. 44 ; Self-sealing tyres „ContiSeal“
235/45 R 17 97W	Pirelli	P Zero Rosso	
	Continental	Sport Contact 2	
	Dunlop	SP Sport 1	
	Bridgestone	RE 050A	
235/40 R 18 95W	Continental	Sport Contact 3	Self-sealing tyres „ContiSeal“ ⇒ Workshop manual: Running gear, axles, steering; Rep. gr. 44 ; Self-sealing tyres „ContiSeal“
235/40 R 18 95Y	Pirelli	P Zero Rosso	
	Continental	Sport Contact 2	
	Michelin	Pilot Sport 2	
	Dunlop	SP Sport 1	
235/35 R 19 91Y	Pirelli	P Zero	
	Continental	Sport Contact 2	
	Continental	Sport Contact 3	

### 53.31 Summer tyres for Passat saloon from model year 2011

Observe the notes regarding the recommended makes of summer tyres ⇒ [page 494](#)

Tyre size	Make	Tread pattern	Remarks
205/55 R 16 91H	Goodyear	Excellence	Rolling resistance optimised tyres ⇒ <a href="#">page 57</a>
	Michelin	Energy Saver	
	Dunlop	SP Sport Fast Response	
	Michelin	Primacy	
	Dunlop	SP Sport 01A	
	Goodyear	NCT -6	
	Bridgestone	ER 300	
	Continental	Premium Contact2	
205/55 R 16 94V	Michelin	Primacy	
	Michelin	Energy Saver	
	Goodyear	Excellence	
	Continental	Sport Contact 2	
	Bridgestone	ER 300	
215/55 R 16 97V	Bridgestone	ER 300 RFT	Tyres with run-flat properties ⇒ <a href="#">page 54</a>
215/55 R 16 97W	Michelin	Primacy	



Tyre size	Make	Tread pattern	Remarks
	Dunlop	SP Sport 01A	
	Dunlop	SP Fast Response	
	Bridgestone	ER 300	
	Continental	Premium Contact	
	Continental	Premium Contact 2	
	Pirelli	P7	
	Goodyear	Excellence	
235/45 R 17 94W	Continental	Sport Contact 3	Self-sealing tyres „ContiSeal“ ⇒ Workshop manual: Running gear, axles, steering; Rep. gr. 44 ; Self-sealing tyres „Conti-Seal“
235/45 R 17 97W	Pirelli	P Zero Rosso	
	Continental	Sport Contact 2	
	Dunlop	SP Sport 1	
	Bridgestone	RE 050A	
235/40 R 18 95W	Continental	Sport Contact 3	Self-sealing tyres „ContiSeal“ ⇒ Workshop manual: Running gear, axles, steering; Rep. gr. 44 ; Self-sealing tyres „Conti-Seal“
235/40 R 18 95Y	Pirelli	P Zero Rosso	
	Continental	Sport Contact 2	
	Michelin	Pilot Sport 2	
	Dunlop	SP Sport 1	

### 53.32 Summer tyres for Passat Variant from model year 2011

Observe the notes regarding the recommended makes of summer tyres ⇒ [page 494](#)

Tyre size	Make	Tread pattern	Remarks	
205/55 R 16 91H	Goodyear	Excellence	Rolling resistance optimised tyres ⇒ <a href="#">page 57</a>	
	Michelin	Energy Saver		
	Dunlop	SP Sport Fast Response		
		Michelin	Primacy	
		Dunlop	SP Sport 01A	
		Goodyear	NCT -6	
		Bridgestone	ER 300	
		Continental	Premium Contact2	
205/55 R 16 94V	Michelin	Primacy		
	Michelin	Energy Saver		
	Goodyear	Excellence		
	Continental	Sport Contact 2		
	Bridgestone	ER 300		
215/55 R 16 97V	Bridgestone	ER 300 RFT	Tyres with run-flat properties ⇒ <a href="#">page 54</a>	
215/55 R 16 97W	Michelin	Primacy		
	Dunlop	SP Sport 01A		
	Dunlop	SP Fast Response		



Tyre size	Make	Tread pattern	Remarks
	Bridgestone	ER 300	
	Continental	Premium Contact	
	Continental	Premium Contact 2	
	Pirelli	P7	
	Goodyear	Excellence	
235/45 R 17 94W	Continental	Sport Contact 3	Self-sealing tyres „ContiSeal“ ⇒ Workshop manual: Running gear, axles, steering; Rep. gr. 44 ; Self-sealing tyres „Conti-Seal“
235/45 R 17 97W	Pirelli	P Zero Rosso	
	Continental	Sport Contact 2	
	Dunlop	SP Sport 1	
	Bridgestone	RE 050A	
235/40 R 18 95W	Continental	Sport Contact 3	Self-sealing tyres „ContiSeal“ ⇒ Workshop manual: Running gear, axles, steering; Rep. gr. 44 ; Self-sealing tyres „Conti-Seal“
235/40 R 18 95Y	Pirelli	P Zero Rosso	
	Continental	Sport Contact 2	
	Michelin	Pilot Sport 2	
	Dunlop	SP Sport 1	

### 53.33 Summer tyres for Passat CC from model year 2009

Observe the notes regarding the recommended makes of summer tyres ⇒ [page 494](#)

Tyre size	Make	Tread pattern	Remarks
235/45 R 17 97W	Continental	Sport Contact 3	
	Bridgestone	RE 050A	
	Pirelli	P Zero	
	Dunlop	SP Sport 1	
235/45 R 17 94W	Continental	Sport Contact 3	Self-sealing tyres „ContiSeal“ ⇒ Workshop manual: Running gear, axles, steering; Rep. gr. 44 ; Self-sealing tyres „Conti-Seal“
235/40 R 18 95W	Continental	Sport Contact 3	
235/35 R 19 91Y	Continental	Sport Contact 3	

### 53.34 Summer tyres for Phaeton from model year 2003

Observe the notes regarding the recommended makes of summer tyres ⇒ [page 494](#)

Tyre size	Make	Tread pattern
235/60 R 16 100Y	Bridgestone	RE 030
	Dunlop	SP 9000
235/55 R 17 99Y	Bridgestone	RE 030
	Goodyear	NCT 5
	Dunlop	SP 9000
	Dunlop	SportMaxx TT





Tyre size	Make	Tread pattern
	Michelin	Primacy
235/50 R 18 101Y XL	Bridgestone	RE 040
	Dunlop	SP Sport 01
	Dunlop	SP 9000
255/45 R 18 103Y XL	Bridgestone	RE 040
	Dunlop	SP 9000
	Michelin	Primacy
245/45 R 19 102Y XL	Dunlop	Sport Maxx GT
255/40 R 19 100Y XL	Pirelli	P Zero r
	Dunlop	SportMaxx
	Dunlop	SP Sport 01
275/40 R 19 105Y	Michelin	Primacy

XL means „Extra Load“ ⇒ [page 15](#)

### 53.35 Summer tyres for Sharan from model year 2011

Observe the notes regarding the recommended makes of summer tyres ⇒ [page 494](#)

Tyre size	Make	Tread pattern
205/60 R 16 96H	Continental	PremiumContact2
215/60 R 16 95H	Continental	PremiumContact2
215/60 R 16 95V	Continental	PremiumContact2
225/50 R 17 98H	Continental	PremiumContact2
225/50 R 17 98V	Continental	PremiumContact2

XL means „Extra Load“ Notes ⇒ [page 15](#)

### 53.36 Summer tyres for Touareg from model year 2010

Observe the notes regarding the recommended makes of summer tyres ⇒ [page 494](#)

Tyre size	Make	Tread pattern
235/65 R 17,108V	Bridgestone	Dueller HPS
	Pirelli	Scorpio Verde
	Michelin	Latitude Diamaris
255/60 R 17,106V	Goodyear	Eagle F1
255/55 R 18,109V	Michelin	Latitude Tour HP
255/55 R 18 109W XL	Goodyear	Eagle F1
	Bridgestone	Dueller HP Sport
	Michelin	Latitude Sport
265/50 R 19 110V XL	Michelin	Latitude Sport
265/50 R 19 110W XL	Pirelli	Scorpio Verde
	Bridgestone	Dueller HP Sport
275/45 R 20 110W XL	Goodyear	Eagle F1
	Michelin	Latitude Sport
275/40 R 21 107W XL	Dunlop	Quattro Maxx



XL means „Extra Load“ Notes ⇒ [page 15](#)

### 53.37 Summer tyres for Touareg hybrid from model year 2011

Observe the notes regarding the recommended makes of summer tyres ⇒ [page 494](#)

Tyre size	Make	Tread pattern
255/55 R 18,109V	Michelin	Latitude Tour HP
255/55 R 18 109W XL	Goodyear	Eagle F1
	Bridgestone	Dueler HP Sport
	Michelin	Latitude Sport
265/50 R 19 110V XL	Michelin	Latitude Sport
265/50 R 19 110W XL	Pirelli	Scorpio Verde
	Bridgestone	Dueler HP Sport

XL means „Extra Load“ Notes ⇒ [page 15](#)



## 54 Recommended all-season tyres

### Notes regarding the recommended makes of all-season tyre

- ◆ Tyres are one of the most important elements in motor vehicle construction and have a major influence on road safety. Therefore, they must fulfil numerous conditions which are specified for tyre manufacturers in the DIN (German industrial standards) and the directives of the German rubber industry e. V. (W.d.K.). In addition, comprehensive testing is carried out at Volkswagen before tyres are approved for initial fitting on our vehicles.
- ◆ The following lists all tyre makes and tread patterns that are fitted to VW vehicles ex-factory, correct at the time of publication.
- ◆ These tyre makes/tread patterns meet the aforementioned demands. We therefore recommend the tyres/tread types listed in this guide are chosen as replacements.
- ◆ Observe special requirements for tyres with run-flat properties  
 ⇒ [page 54](#) .

### 54.1 All-season tyres for Polo from model year 2010

Observe the notes regarding the recommended makes of all-season tyres ⇒ [page 521](#)

Tyre size	Make	Tread pattern
175/70 R 14 88T	Dunlop	SP Sport 01 AS
185/60 R 15 88H	Dunlop	SP Sport 01 AS

### 54.2 All-season tyres for Polo BlueMotion from model year 2010

Observe the notes regarding the recommended makes of all-season tyres ⇒ [page 521](#)

Tyre size	Make	Tread pattern
185/60 R 15 88H	Dunlop	SP Sport 01 AS

### 54.3 All-season tyres for CrossPolo from model year 2011

Observe the notes regarding the recommended makes of all-season tyres ⇒ [page 521](#)

Tyre size	Make	Tread pattern
175/70 R 14 88T	Dunlop	SP Sport 01 AS
185/60 R 15 88H	Dunlop	SP Sport 01 AS

### 54.4 All-season tyres for Polo GTI from model year 2011

Observe the notes regarding the recommended makes of all-season tyres ⇒ [page 521](#)

Tyre size	Make	Tread pattern
185/60 R 15 88H	Dunlop	SP Sport 01 AS



## 54.5 All-season tyres for New Beetle from model year 1999

Observe the notes regarding the recommended makes of all-season tyres ⇒ [page 521](#)

Tyre size	Make	Tread pattern	Remarks
195/65 R 15 91H	Dunlop	SP All Season M2	For Europe
	Goodyear	Vector EV2	
	Continental	CH 95	For USA
	Michelin	MXV4 Plus	
	Goodyear	Eagle LS	
205/55 R 16 91H	Michelin	MXV4 S8	For Japan
	Continental	Pro Contact	For USA
	Goodyear	Eagle LS	
	Michelin	MXV4 S8	
	Bridgestone	EL 400	
225/45 R 17 91H	Michelin	MXM 4	For USA
	Goodyear	Eagle RSA	
225/45 R 17 91H	Michelin	MXM 4	For Japan

## 54.6 All-season tyres for New Beetle Cabriolet from model year 2003

Observe the notes regarding the recommended makes of all-season tyres ⇒ [page 521](#)

Tyre size	Make	Tread pattern	Remarks
195/65 R 15 91H	Dunlop	SP All Season M2	For Europe
	Goodyear	Vector EV2	
	Continental	CH 95	For USA
	Michelin	MXV4 Plus	
	Goodyear	Eagle LS	
205/55 R 16 91H	Michelin	MXV4 S8	For Japan
	Continental	Pro Contact	For USA
	Goodyear	Eagle LS	
	Michelin	MXV4 S8	
	Bridgestone	EL 400	
225/45 R 17 91H	Michelin	MXM 4	For USA
	Goodyear	Eagle RSA	
225/45 R 17 91H	Michelin	MXM 4	For Japan

## 54.7 All-season tyres for Golf from model year 2009

Observe the notes regarding the recommended makes of all-season tyres ⇒ [page 521](#)

Tyre size	Make	Tread pattern	Remarks
195/65 R 15 91H	Dunlop	AS M2	
	Goodyear	Vector EV2	
205/55 R 16 91H	Michelin	MXV 4 S8	For USA
	Goodyear	Eagle LS	



Tyre size	Make	Tread pattern	Remarks
	Continental	Pro Contact	
	Bridgestone	EL 400	
	Hankook	Optima H725H	
205/55 R 16 94V	Goodyear	Vector 2	
225/45 R 17 91H	Michelin	MXM 4	For USA
	Continental	Pro Contact	
	Goodyear	Eagle RSA	
225/40 R 18 92H	Bridgestone	RE 050	For USA

#### 54.8 All-season tyres for Golf Plus from model year 2009

Observe the notes regarding the recommended makes of all-season tyres ⇒ [page 521](#)

Tyre size	Make	Tread pattern	Remarks
195/65 R 15 91H	Dunlop	AS M2	
	Goodyear	Vector EV2	
205/55 R 16 94V	Goodyear	Vector 2	

#### 54.9 All-season tyres for Golf Variant from model year 2010

Observe the notes regarding the recommended makes of all-season tyres ⇒ [page 521](#)

Tyre size	Make	Tread pattern	Remarks	
195/65 R 15 91H	Dunlop	AS M2		
	Goodyear	Vector EV2		
	Michelin	MXV 4 S8		For USA
	Goodyear	Eagle LS		
	Continental	Pro Contact		
205/55 R 16 91H	Michelin	MXV 4 S8	For USA	
	Goodyear	Eagle LS		
	Continental	Pro Contact		
	Bridgestone	EL 400		
	Hankook	Optima H725H		
205/55 R 16 94V	Goodyear	Vector 2		
225/45 R 17 91H	Michelin	MXM 4	For USA	
	Continental	Pro Contact		
	Goodyear	Eagle RSA		

#### 54.10 All-season tyres for Jetta from model year 2006

Observe the notes regarding the recommended makes of all-season tyres ⇒ [page 521](#)

Tyre size	Make	Tread pattern	Remarks
195/65 R 15 91H	Dunlop	AS M2	
	Goodyear	Vector EV2	
	Michelin	MXV 4 S8	



Tyre size	Make	Tread pattern	Remarks
	Goodyear	Eagle LS	
	Continental	Pro Contact	
205/55 R 16 91H	Michelin	MXV 4 S8	For USA
	Goodyear	Eagle LS	
	Continental	Pro Contact	
	Bridgestone	EL 400	
	Hankook	Optima H725H	
205/55 R 16 94V	Goodyear	Vector 2	
225/45 R 17 91H	Michelin	MXM 4	For USA
	Continental	Pro Contact	
	Goodyear	Eagle RSA	

### 54.11 All-season tyres for Touran from model year 2003

Observe the notes regarding the recommended makes of all-season tyres ⇒ [page 521](#)

Tyre size	Make	Tread pattern
195/65 R 15 91H	Goodyear	Vector 4 Seasons
	Goodyear	Vector EV 2
	Dunlop	AS M2
205/55 R 16 94V Extra Load	Goodyear	Vector EV 2

### 54.12 All-season tyres for Tiguan from model year 2008

Observe the notes regarding the recommended makes of all-season tyres ⇒ [page 521](#)

Tyre size	Make	Tread pattern	Remarks
215/65 R 16 98H	Dunlop	GT Touring AS	
	Continental	4 X 4 Contact	For USA
	Michelin	Latitude THP	
	Pirelli	Scorpion	
215/60 R 17 96H	Goodyear	Vector 4 Seasons	
235/55 R 17 99H	Michelin	Latitude THP	For USA
	Continental	Pro Contact	
235/50 R 18 97H/V	Dunlop	SP 01 AS	

### 54.13 All-season tyres for Eos from model year 2006

Observe the notes regarding the recommended makes of all-season tyres ⇒ [page 521](#)

Tyre size	Make	Tread pattern	Remarks
205/55 R16 94V	Goodyear	Vector 2	
215/55 R 16 97H	Goodyear	Eagle LS2	For USA
	Michelin	MXM 4	
235/45 R 17 97H	Michelin	MXM 4	For USA



Tyre size	Make	Tread pattern	Remarks
	Goodyear	Eagle LS	
	Continental	Pro Contact	
235/40 R 18 95H	Pirelli	P6 4Season	For USA

#### 54.14 All-season tyres for Passat saloon from model year 2006

Observe the notes regarding the recommended makes of all-season tyres ⇒ [page 521](#)

Tyre size	Make	Tread pattern	Remarks
205/55 R 16 94V	Goodyear	Vector 2	
215/55 R 16 97H	Goodyear	Eagle LS	For USA
	Continental	Pro Contact	
	Michelin	MXM 4	
215/55 R 16 97V	Bridgestone	ER 300 RFT	Tyres with run-flat properties ⇒ <a href="#">page 54</a>
235/45 R 17 97H	Michelin	MXM 4	For USA
	Continental	Pro Contact	
	Goodyear	Eagle LS2	
235/40 R 18 95H	Pirelli	P 6 4Season	For USA

#### 54.15 All-season tyres for Passat saloon BlueMotion from model year 2008

Observe the notes regarding the recommended makes of all-season tyres ⇒ [page 521](#)

Tyre size	Make	Tread pattern	Remarks
205/55 R 16 94V	Goodyear	Vector 2	

#### 54.16 All-season tyres for Passat Variant from model year 2006

Observe the notes regarding the recommended makes of all-season tyres ⇒ [page 521](#)

Tyre size	Make	Tread pattern	Remarks
205/55 R 16 94V	Goodyear	Vector 2	
215/55 R 16 97H	Goodyear	Eagle LS	For USA
	Continental	Pro Contact	
	Michelin	MXM 4	
215/55 R 16 97V	Bridgestone	ER 300 RFT	Tyres with run-flat properties ⇒ <a href="#">page 54</a>
235/45 R 17 97H	Michelin	MXM 4	For USA
	Continental	Pro Contact	
	Goodyear	Eagle LS2	
235/40 R 18 95H	Pirelli	P 6 4Season	For USA



### 54.17 All-season tyres for Passat Variant BlueMotion from model year 2008

Observe the notes regarding the recommended makes of all-season tyres => [page 521](#)

Tyre size	Make	Tread pattern	Remarks
205/55 R 16 94V	Goodyear	Vector 2	

### 54.18 All-season tyres for Passat R36 from model year 2008

Observe the notes regarding the recommended makes of all-season tyres => [page 521](#)

Tyre size	Make	Tread pattern	Remarks
235/45 R 17 97H	Michelin	MXM 4	For USA
	Continental	Pro Contact	
	Goodyear	Eagle LS2	
235/40 R 18 95H	Pirelli	P 6 4Season	

### 54.19 All-season tyres for Passat saloon from model year 2011

Observe the notes regarding the recommended makes of all-season tyres => [page 521](#)

Tyre size	Make	Tread pattern	Remarks
205/55 R 16 94V	Goodyear	Vector 2	
215/55 R 16 97H	Goodyear	Eagle LS	For USA
	Continental	Pro Contact	
	Michelin	MXM 4	
215/55 R 16 97V	Bridgestone	ER 300 RFT	Tyres with run-flat properties => <a href="#">page 54</a>
235/45 R 17 97H	Michelin	MXM 4	For USA
	Continental	Pro Contact	
	Goodyear	Eagle LS2	
235/40 R 18 95H	Pirelli	P 6 4Season	For USA

### 54.20 All-season tyres for Passat Variant from model year 2011

Observe the notes regarding the recommended makes of all-season tyres => [page 521](#)

Tyre size	Make	Tread pattern	Remarks
205/55 R 16 94V	Goodyear	Vector 2	
215/55 R 16 97H	Goodyear	Eagle LS	For USA
	Continental	Pro Contact	
	Michelin	MXM 4	
215/55 R 16 97V	Bridgestone	ER 300 RFT	Tyres with run-flat properties => <a href="#">page 54</a>
235/45 R 17 97H	Michelin	MXM 4	For USA
	Continental	Pro Contact	
	Goodyear	Eagle LS2	





Tyre size	Make	Tread pattern	Remarks
235/40 R 18 95H	Pirelli	P 6 4Season	For USA

## 54.21 All-season tyres for Sharan from model year 2011

Observe the notes regarding the recommended makes of all-season tyres ⇒ [page 521](#)

Tyre size	Make	Tread pattern	Remarks
205/60 R 16 96H	Continental	TS 815	

## 54.22 All-season tyres for Passat CC from model year 2009

Observe the notes regarding the recommended makes of all-season tyres ⇒ [page 521](#)

Tyre size	Make	Tread pattern	Remarks
235/45 R 17 94H	Continental	Pro Contact	Only for USA Self-sealing tyres „ContiSeal“ ⇒ Workshop manual: Running gear, axles, steering; Rep. gr. 44 ; Self-sealing tyres „ContiSeal“
235/40 R 18 95H	Continental	Pro Contact	

## 54.23 All-season tyres for Phaeton from model year 2003

Observe the notes regarding the recommended makes of all-season tyres ⇒ [page 521](#)

Tyre size	Make	Tread pattern	Remarks
235/55 R 17 103H XL	Michelin	MXM 4	For USA
255/45 R 18 103H XL	Michelin	MXM 4	

XL means „Extra Load“ Notes ⇒ [page 15](#)

## 54.24 All-season tyres for Touareg from model year 2010

Observe the notes regarding the recommended makes of all-season tyres ⇒ [page 521](#)

Tyre size	Make	Tread pattern	Remarks
255/60 R 17,106V	Dunlop	GT Touring All Seasons	
255/55 R 18 109H XL	Michelin	Latitude Tour HP	For USA
	Pirelli	Scorpio Verde All Seasons	
	Goodyear	Eagle LS2	
265/50 R 19 110H XL	Michelin	Latitude Tour HP	For USA
	Pirelli	Scorpio Verde All Seasons	
	Goodyear	Eagle LS2	
275/45 R20 110H XL	Goodyear	Eagle LS2	For USA

XL means „Extra Load“ Notes ⇒ [page 15](#)





## 55 Recommended winter tyres

### Notes regarding the recommended makes of winter tyre

- ◆ Tyres are one of the most important elements in motor vehicle construction and have a major influence on road safety. Therefore, they must fulfil numerous conditions which are specified for tyre manufacturers in the DIN (German industrial standards) and the directives of the German rubber industry e. V. (W.d.K.). In addition, comprehensive testing is carried out at Volkswagen before tyres are approved for initial fitting on our vehicles.
- ◆ The following lists all tyre makes and tread patterns that are fitted to VW vehicles ex-factory, correct at the time of publication.
- ◆ These tyre makes/tread patterns meet the aforementioned demands. We therefore recommend the tyres/tread types listed in this guide are chosen as replacements.
- ◆ Observe special requirements for tyres with run-flat properties ⇒ [page 54](#) .

### 55.1 Winter tyres for Fox from model year 2006

Observe the notes regarding the recommended makes of winter tyres ⇒ [page 529](#)

Tyre size	Make	Tread pattern
165/70 R 14 81T	Continental	TS 780 Winter Contact
	Dunlop	SP Winter Sport M2
	Michelin	XM + S Alpin
	Goodyear	Ultra Grip 5
185/60 R 14 82Q/T	Pirelli	W190 SnowControl
	Goodyear	Ultra Grip 7+

### 55.2 Winter tyres for Polo from model year 2010

Observe the notes regarding the recommended makes of winter tyres ⇒ [page 529](#)

Tyre size	Make	Tread pattern
175/70 R 14 88T	Dunlop	Winter Response
185/60 R 14 88T	Dunlop	Winter Response
	Nokian	WR G2
	Goodyear	Ultra Grip 7+

### 55.3 Winter tyres for Polo BlueMotion from model year 2010

Observe the notes regarding the recommended makes of winter tyres ⇒ [page 529](#)

Tyre size	Make	Tread pattern
185/60 R 14 88T	Dunlop	Winter Response
	Nokian	WR G2
	Goodyear	Ultra Grip 7+



## 55.4 Winter tyres for CrossPolo from model year 2011

Observe the notes regarding the recommended makes of winter tyres ⇒ [page 529](#)

Tyre size	Make	Tread pattern
175/70 R 14 88T	Dunlop	Winter Response
185/60 R 14 88T	Dunlop	Winter Response
	Nokian	WR G2
	Goodyear	Ultra Grip 7+

## 55.5 Winter tyres for Polo GTI from model year 2011

Observe the notes regarding the recommended makes of winter tyres ⇒ [page 529](#)

Tyre size	Make	Tread pattern
185/60 R 14 88T	Dunlop	Winter Response
	Nokian	WR G2
	Goodyear	Ultra Grip 7+

## 55.6 Winter tyres for New Beetle from model year 1999

Observe the notes regarding the recommended makes of winter tyres ⇒ [page 529](#)

Tyre size	Make	Tread pattern
195/65 R 15 91T	Continental	TS 790 Winter Contact
	Dunlop	SP Winter Sport M3
	Goodyear	Ultra Grip 6
	Michelin	Alpin
	Pirelli	Winter 190
195/65 R 15 91H	Continental	TS 790 Winter Contact
	Michelin	Pilot Alpin
	Nokian	NRW
	Vredestein	Wintrac
	Goodyear	Eagle UG GW3
205/55 R 16 91H	Continental	TS 790 Winter Contact
	Dunlop	SP Winter Sport M3
	Michelin	Pilot Alpin
	Pirelli	Winter 210
	Vredestein	Wintrac

## 55.7 Winter tyres for New Beetle Cabriolet from model year 2003

Observe the notes regarding the recommended makes of winter tyres ⇒ [page 529](#)

Tyre size	Make	Tread pattern
195/65 R 15 91T	Continental	TS 790 Winter Contact
	Dunlop	SP Winter Sport M3



Tyre size	Make	Tread pattern
	Goodyear	Ultra Grip 6
	Michelin	Alpin
	Pirelli	Winter 190
195/65 R 15 91H	Continental	TS 790 Winter Contact
	Michelin	Pilot Alpin
	Nokian	NRW
	Vredestein	Wintrac
	Goodyear	Eagle UG GW3
205/55 R 16 91H	Continental	TS 790 Winter Contact
	Dunlop	SP Winter Sport M3
	Michelin	Pilot Alpin
	Pirelli	Winter 210
	Vredestein	Wintrac

## 55.8 Winter tyres for Golf from model year 2009

Observe the notes regarding the recommended makes of winter tyres ⇒ [page 529](#)

Tyre size	Make	Tread pattern
195/65 R 15 91H	Dunlop	Winter Sport 3D
	Goodyear	Ultra Grip GW 3
	Continental	TS 810
	Vredestein	Snowtrac 2
	Nokian	WR
	Bridgestone	LM25
205/55 R 16 91H	Dunlop	Winter Sport 3D
	Goodyear	Ultra Grip Performance
	Pirelli	W210
205/50 R 17 93H	Dunlop	Winter Sport 3D

## 55.9 Winter tyres for Golf BlueMotion from model year 2009

Observe the notes regarding the recommended makes of winter tyres ⇒ [page 529](#)

Tyre size	Make	Tread pattern
195/65 R 15 91H	Dunlop	Winter Sport 3D
	Goodyear	Ultra Grip GW 3
	Continental	TS 810
	Vredestein	Snowtrac 2
	Nokian	WR
	Bridgestone	LM25



### 55.10 Winter tyres for Golf GTD from model year 2009

Observe the notes regarding the recommended makes of winter tyres => [page 529](#)

Tyre size	Make	Tread pattern
205/55 R 16 91H	Dunlop	Winter Sport 3D
	Goodyear	Ultra Grip Performance
	Pirelli	W210
205/50 R 17 93H	Dunlop	Winter Sport 3D

### 55.11 Winter tyres for Golf GTI from model year 2009

Observe the notes regarding the recommended makes of winter tyres => [page 529](#)

Tyre size	Make	Tread pattern
205/55 R 16 91H	Dunlop	Winter Sport 3D
	Goodyear	Ultra Grip Performance
	Pirelli	W210
205/50 R 17 93H	Dunlop	Winter Sport 3D

### 55.12 Winter tyres for Golf R from model year 2010

Observe the notes regarding the recommended makes of winter tyres => [page 529](#)

Tyre size	Make	Tread pattern
205/50 R 17 93H	Dunlop	Winter Sport 3D

### 55.13 Winter tyres for Golf Plus from model year 2009

Observe the notes regarding the recommended makes of winter tyres => [page 529](#)

Tyre size	Make	Tread pattern
195/65 R 15 91H	Dunlop	Winter Sport 3D
	Goodyear	Ultra Grip GW 3
	Continental	TS 810
	Vredestein	Snowtrac 2
	Nokian	WR
	Bridgestone	LM25
205/55 R 16 91H	Dunlop	Winter Sport 3D
	Goodyear	Ultra Grip Performance
	Pirelli	W210
205/50 R 17 93H	Dunlop	Winter Sport 3D



### 55.14 Winter tyres for Golf Plus BlueMotion from model year 2010

Observe the notes regarding the recommended makes of winter tyres => [page 529](#)

Tyre size	Make	Tread pattern
195/65 R 15 91H	Dunlop	Winter Sport 3D
	Goodyear	Ultra Grip GW 3
	Continental	TS 810
	Vredestein	Snowtrac 2
	Nokian	WR
	Bridgestone	LM25

### 55.15 Winter tyres for Golf Variant from model year 2010

Observe the notes regarding the recommended makes of winter tyres => [page 529](#)

Tyre size	Make	Tread pattern
195/65 R 15 91H	Dunlop	Winter Sport 3D
	Goodyear	Ultra Grip GW 3
	Continental	TS 810
	Vredestein	Snowtrac 2
	Nokian	WR
	Bridgestone	LM25
205/55 R 16 91H	Dunlop	Winter Sport 3D
	Goodyear	Ultra Grip Performance
	Pirelli	W210
205/50 R 17 93H	Dunlop	Winter Sport 3D

### 55.16 Winter tyres for Golf Variant BlueMotion from model year 2010

Observe the notes regarding the recommended makes of winter tyres => [page 529](#)

Tyre size	Make	Tread pattern
195/65 R 15 91H	Dunlop	Winter Sport 3D
	Goodyear	Ultra Grip GW 3
	Continental	TS 810
	Vredestein	Snowtrac 2
	Nokian	WR
	Bridgestone	LM25

### 55.17 Winter tyres for Jetta from model year 2006

Observe the notes regarding the recommended makes of winter tyres => [page 529](#)

Tyre size	Make	Tread pattern	Remarks
195/65 R 15 91Q	Michelin	X-Ice	• Only for Japan: 1.6l FSI and 2.0l FSI engines



Tyre size	Make	Tread pattern	Remarks
195/65 R 15 91H	Continental	TS 810	
	Dunlop	Winter Sport 3D	
	Goodyear	Eagle UG GW 3	
	Bridgestone	LM25	
	Pirelli	Winter 210	
	Nokian	WR	
205/55 R 16 91H	Dunlop	Winter Sport 3D	
	Goodyear	Ultra Grip Performance	
	Pirelli	W210	
205/50 R 17 93H	Dunlop	Winter Sport 3D	

### 55.18 Winter tyres for Jetta BlueMotion from Model year 2008

Observe the notes regarding the recommended makes of winter tyres ⇒ [page 529](#)

Tyre size	Make	Tread pattern	Remarks
195/65 R 15 91H	Continental	TS 810	
	Dunlop	Winter Sport 3D	
	Goodyear	Eagle UG GW 3	
	Bridgestone	LM25	
	Pirelli	Winter 210	
	Nokian	WR	

### 55.19 Winter tyres for Scirocco from model year 2009

Observe the notes regarding the recommended makes of winter tyres ⇒ [page 529](#)

Tyre size	Make	Tread pattern	Remarks
205/55 R 16 91H	Goodyear	Eagle UG GW 3	
	Dunlop	Winter Sport 3D	
	Pirelli	Winter 210 SZ	
205/50 R 17 93H	Dunlop	Winter Sport 3D	
	Michelin	Pilot Alpin2	

### 55.20 Winter tyres for Scirocco R from model year 2010

Observe the notes regarding the recommended makes of winter tyres ⇒ [page 529](#)

Tyre size	Make	Tread pattern	Remarks
205/50 R 17 93H	Dunlop	Winter Sport 3D	
	Michelin	Pilot Alpin2	





## 55.21 Winter tyres for Touran from model year 2003

Observe the notes regarding the recommended makes of winter tyres => [page 529](#)

Tyre size	Make	Tread pattern	Remarks
195/65 R 15 91Q	Michelin	X-Ice	• Only for Japan: all engines
195/65 R 15 91T	Bridgestone	LM25	
	Dunlop	Winter Sport 3D	
195/65 R 15 91H	Continental	TS 810	
	Dunlop	Winter Sport 3D	
	Goodyear	Eagle UG GW 3	
	Bridgestone	LM25	
	Pirelli	Winter 210	
	Nokian	WR	
195/65 R 15 95T	Goodyear	UG 6	
	Continental	TS 790	
205/55 R 16 91Q	Michelin	X-Ice	• Only for Japan: all engines
205/55 R 16 91H	Goodyear	UG GW3	
	Nokian	WR	
	Pirelli	Winter 210	
	Dunlop	SP Winter Sport M3	
205/55 R 16 94H	Dunlop	SP Winter Sport M3	
	Nokian	WR	
	Dunlop	SP Winter Sport M3 DSST	Tyres with run-flat properties => <a href="#">page 54</a>
	Bridgestone	LM25 RFT	

## 55.22 Winter tyres for Touran BlueMotion from model year 2009

Observe the notes regarding the recommended makes of winter tyres => [page 529](#)

Tyre size	Make	Tread pattern	Remarks
195/65 R 15 91T	Bridgestone	LM25	
	Dunlop	Winter Sport 3D	
195/65 R 15 91H	Continental	TS 810	
	Dunlop	Winter Sport 3D	
	Goodyear	Eagle UG GW 3	
	Bridgestone	LM25	
	Pirelli	Winter 210	
	Nokian	WR	
195/65 R 15 95T	Goodyear	UG 6	
	Continental	TS 790	
205/55 R 16 91H	Goodyear	UG GW3	
	Nokian	WR	
	Dunlop	SP Winter Sport M3	
	Pirelli	Winter 210	
205/55 R 16 94H	Dunlop	SP Winter Sport M3	



Tyre size	Make	Tread pattern	Remarks
	Nokian	WR	
	Dunlop	SP Winter Sport M3 DSST	Tyres with run-flat properties ⇒ <a href="#">page 54</a>
	Bridgestone	LM25 RFT	

### 55.23 Winter tyres for CrossTouran from model year 2008

Observe the notes regarding the recommended makes of winter tyres ⇒ [page 529](#)

Tyre size	Make	Tread pattern	Remarks
195/65 R 15 91Q	Michelin	X-Ice	• Only for Japan: all engines
195/65 R 15 91T	Bridgestone	LM25	
	Dunlop	Winter Sport 3D	
195/65 R 15 91H	Continental	TS 810	
	Dunlop	Winter Sport 3D	
	Goodyear	Eagle UG GW 3	
	Bridgestone	LM25	
	Pirelli	Winter 210	
195/65 R 15 95T	Nokian	WR	
	Goodyear	UG 6	
205/55 R 16 91Q	Continental	TS 790	
	Michelin	X-Ice	• Only for Japan: all engines
205/55 R 16 91H	Goodyear	UG GW3	
	Nokian	WR	
	Dunlop	SP Winter Sport M3	
	Pirelli	Winter 210	
205/55 R 16 94H	Dunlop	SP Winter Sport M3	
	Nokian	WR	
	Dunlop	SP Winter Sport M3 DSST	Tyres with run-flat properties ⇒ <a href="#">page 54</a>
	Bridgestone	LM25 RFT	

### 55.24 Winter tyres for Tiguan from model year 2008

Observe the notes regarding the recommended makes of winter tyres ⇒ [page 529](#)

Tyre size	Make	Tread pattern	Remarks
215/65 R 16 98H	Pirelli	Winter Sport 210	
	Dunlop	Winter Sport 3D	
	Vredestein	Snowtrac	



## 55.25 Winter tyres for Eos from model year 2006

Observe the notes regarding the recommended makes of winter tyres ⇒ [page 529](#)

Tyre size	Make	Tread pattern	Remarks
205/55 R 16 94H	Dunlop	Winter Sport 3D	
205/50 R 17 93H	Dunlop	Winter Sport 3D	
	Michelin	Pilot Alpin2	
	Continental	TS810	Self-sealing tyres „ContiSeal“ ⇒ Workshop manual: Running gear, axles, steering; Rep. gr. 44 ; Self-sealing tyres „ContiSeal“

## 55.26 Winter tyres for Passat saloon from model year 2006

Observe the notes regarding the recommended makes of winter tyres ⇒ [page 529](#)

Tyre size	Make	Tread pattern	Remarks
195/65 R 15 91Q	Michelin	X-Ice	• Only for Japan: 1.6l FSI and 2.0l FSI engines
205/55 R 16 91H	Dunlop	Winter Sport 3D	
	Pirelli	Winter 210	
	Goodyear	Eagle UG GW3	
205/55 R 16 94H	Dunlop	Winter Sport 3D	
	Pirelli	Winter 210	
	Nokian	WR G2	
	Dunlop	Winter Sport M3 DSST	Tyres with run-flat properties ⇒ <a href="#">page 54</a>
205/50 R 17 93H	Dunlop	Winter Sport 3D	
	Continental	TS810	Self-sealing tyres „ContiSeal“ ⇒ Workshop manual: Running gear, axles, steering; Rep. gr. 44 ; Self-sealing tyres „ContiSeal“
215/55 R 16 97Q XL	Michelin	X-Ice	• Only for Japan: 2.0l FSI and 2.0l FSI turbo engines
235/45 R 17 94Q	Michelin	X-Ice	• Only for Japan: 2.0l FSI turbo engines and 3.2l V6 FSI 4Motion
235/45 R 17 94H	Dunlop	Winter Sport M3	

XL means „Extra Load“ ⇒ [page 15](#)

## 55.27 Winter tyres for Passat saloon BlueMotion from model year 2008

Observe the notes regarding the recommended makes of winter tyres ⇒ [page 529](#)

Tyre size	Make	Tread pattern	Remarks
205/55 R 16 91H	Dunlop	Winter Sport 3D	
	Pirelli	Winter 210	



Tyre size	Make	Tread pattern	Remarks
	Goodyear	Eagle UG GW3	
205/55 R 16 94H	Dunlop	Winter Sport 3D	
	Pirelli	Winter 210	
	Nokian	WR G2	
	Dunlop	Winter Sport M3 DSST	Tyres with run-flat properties ⇒ <a href="#">page 54</a>
205/50 R 17 93H	Dunlop	Winter Sport 3D	
	Continental	TS810	Self-sealing tyres „ContiSeal“ ⇒ Workshop manual: Running gear, axles, steering; Rep. gr. 44 ; Self-sealing tyres „Conti- Seal“

## 55.28 Winter tyres for Passat Variant from model year 2006

Observe the notes regarding the recommended makes of winter  
tyres ⇒ [page 529](#)

Tyre size	Make	Tread pattern	Remarks
195/65 R 15 91Q	Michelin	X-Ice	• Only for Japan: 1.6l FSI and 2.0l FSI engines
205/55 R 16 91H	Dunlop	Winter Sport 3D	
	Pirelli	Winter 210	
	Goodyear	Eagle UG GW3	
205/55 R 16 94H	Dunlop	Winter Sport 3D	
	Pirelli	Winter 210	
	Nokian	WR G2	
	Dunlop	Winter Sport M3 DSST	Tyres with run-flat properties ⇒ <a href="#">page 54</a>
205/50 R 17 93H	Dunlop	Winter Sport 3D	
	Continental	TS810	Self-sealing tyres „ContiSeal“ ⇒ Workshop manual: Running gear, axles, steering; Rep. gr. 44 ; Self-sealing tyres „Conti- Seal“
215/55 R 16 97Q XL	Michelin	X-Ice	• Only for Japan: 2.0l FSI and 2.0l FSI turbo engines
235/45 R 17 94Q	Michelin	X-Ice	• Only for Japan: 2.0l FSI turbo engines and 3.2l V6 FSI 4Motion
235/45 R 17 94H	Dunlop	Winter Sport M3	

XL means „Extra Load“ ⇒ [page 15](#)

## 55.29 Winter tyres for Passat Variant BlueMotion from model year 2008

Observe the notes regarding the recommended makes of winter  
tyres ⇒ [page 529](#)

Tyre size	Make	Tread pattern	Remarks
205/55 R 16 91H	Dunlop	Winter Sport 3D	
	Pirelli	Winter 210	



Tyre size	Make	Tread pattern	Remarks
	Goodyear	Eagle UG GW3	
205/55 R 16 94H	Dunlop	Winter Sport 3D	
	Pirelli	Winter 210	
	Nokian	WR G2	
	Dunlop	Winter Sport M3 DSST	Tyres with run-flat properties ⇒ <a href="#">page 54</a>
205/50 R 17 93H	Dunlop	Winter Sport 3D	
	Continental	TS810	Self-sealing tyres „ContiSeal“ ⇒ Workshop manual: Running gear, axles, steering; Rep. gr. 44 ; Self-sealing tyres „Conti-Seal“

### 55.30 Winter tyres for Passat R36 from model year 2008

Observe the notes regarding the recommended makes of winter tyres ⇒ [page 529](#)

Tyre size	Make	Tread pattern	Remarks
205/50 R 17 93H	Dunlop	Winter Sport 3D	
	Continental	TS810	Self-sealing tyres „ContiSeal“ ⇒ Workshop manual: Running gear, axles, steering; Rep. gr. 44 ; Self-sealing tyres „Conti-Seal“
235/45 R 17 94H	Dunlop	Winter Sport M3	

### 55.31 Winter tyres for Passat saloon from model year 2011

Observe the notes regarding the recommended makes of winter tyres ⇒ [page 529](#)

Tyre size	Make	Tread pattern	Remarks
195/65 R 15 91Q	Michelin	X-Ice	• Only for Japan: 1.6l FSI and 2.0l FSI engines
205/55 R 16 91H	Dunlop	Winter Sport 3D	
	Pirelli	Winter 210	
	Goodyear	Eagle UG GW3	
205/55 R 16 94H	Dunlop	Winter Sport 3D	
	Pirelli	Winter 210	
	Nokian	WR G2	
	Dunlop	Winter Sport M3 DSST	Tyres with run-flat properties ⇒ <a href="#">page 54</a>
205/50 R 17 93H	Dunlop	Winter Sport 3D	
	Continental	TS810	Self-sealing tyres „ContiSeal“ ⇒ Workshop manual: Running gear, axles, steering; Rep. gr. 44 ; Self-sealing tyres „Conti-Seal“
215/55 R 16 97Q XL	Michelin	X-Ice	• Only for Japan: 2.0l FSI and 2.0l FSI turbo engines




Tyre size	Make	Tread pattern	Remarks
235/45 R 17 94Q	Michelin	X-Ice	• Only for Japan: 2.0l FSI turbo engines and 3.2l V6 FSI 4Motion
235/45 R 17 94H	Dunlop	Winter Sport M3	

XL means „Extra Load“ ⇒ [page 15](#)

### 55.32 Winter tyres for Passat Variant from model year 2011

Observe the notes regarding the recommended makes of winter tyres ⇒ [page 529](#)

Tyre size	Make	Tread pattern	Remarks
195/65 R 15 91Q	Michelin	X-Ice	• Only for Japan: 1.6l FSI and 2.0l FSI engines
205/55 R 16 91H	Dunlop	Winter Sport 3D	
	Pirelli	Winter 210	
	Goodyear	Eagle UG GW3	
205/55 R 16 94H	Dunlop	Winter Sport 3D	Tyres with run-flat properties ⇒ <a href="#">page 54</a>
	Pirelli	Winter 210	
	Nokian	WR G2	
	Dunlop	Winter Sport M3 DSST	
205/50 R 17 93H	Dunlop	Winter Sport 3D	Self-sealing tyres „ContiSeal“ ⇒ Workshop manual: Running gear, axles, steering; Rep. gr. 44 ; Self-sealing tyres „ContiSeal“
	Continental	TS810	
215/55 R 16 97Q XL	Michelin	X-Ice	• Only for Japan: 2.0l FSI and 2.0l FSI turbo engines
235/45 R 17 94Q	Michelin	X-Ice	• Only for Japan: 2.0l FSI turbo engines and 3.2l V6 FSI 4Motion
235/45 R 17 94H	Dunlop	Winter Sport M3	

XL means „Extra Load“ ⇒ [page 15](#)

### 55.33 Winter tyres for Passat CC from model year 2009

Observe the notes regarding the recommended makes of winter tyres ⇒ [page 529](#)

Tyre size	Make	Tread pattern	Remarks
205/50 R 17 93H	Continental	TS810	Self-sealing tyres „ContiSeal“ ⇒ Workshop manual: Running gear, axles, steering; Rep. gr. 44 ; Self-sealing tyres „ContiSeal“



### 55.34 Winter tyres for Phaeton from model year 2003

Observe the notes regarding the recommended makes of winter tyres => [page 529](#)

Tyre size	Make	Tread pattern
235/55 R 17 99H	Dunlop	Winter Sport 3D
235/50 R 18 101H XL	Dunlop	Winter Sport M2
	Dunlop	Winter Sport 3D
245/45 R 19 102V XL	Dunlop	Winter Sport 3D

XL means „Extra Load“ => [page 15](#)

### 55.35 Winter tyres for Sharan from model year 2011

Information on the recommended winter tyres was not available at time of going to print.

### 55.36 Winter tyres for Touareg from model year 2010

Observe the notes regarding the recommended makes of winter tyres => [page 529](#)

Tyre size	Make	Tread pattern
235/65 R 17,108V	Dunlop	Winter Sport 3D
255/55 R 18,109V	Dunlop	Winter Sport 3D
	Michelin	Latitude Alpin HP
265/50 R 19,110V	Dunlop	Winter Sport 3D

